

US00D506079S

(12) **United States Design Patent** (10) **Patent No.:** **US D506,079 S**
Ricci (45) **Date of Patent:** **** Jun. 14, 2005**

- (54) **CHAIR**
- (75) Inventor: **Luca Ricci**, Forli (IT)
- (73) Assignee: **DeCoro Ltd.**, Fanling (HK)
- (**) Term: **14 Years**
- (21) Appl. No.: **29/197,917**
- (22) Filed: **Jan. 22, 2004**
- (51) **LOC (8) Cl.** **06-01**
- (52) **U.S. Cl.** **D6/334**
- (58) **Field of Search** D6/334-336, 356,
D6/367, 371-373, 381, 500-502; 297/232,
445.1, DIG. 7

(56) **References Cited**
U.S. PATENT DOCUMENTS

D105,104 S	6/1937	Hines et al.	
D255,624 S	7/1980	Mosca	
D258,627 S	* 3/1981	Halme	D6/371
D263,770 S	4/1982	Melchior	
D279,052 S	6/1985	McDonald	
D346,506 S	5/1994	Gera	
D353,273 S	12/1994	Natuzzi et al.	
D355,986 S	* 3/1995	Myers	D6/356
D400,024 S	10/1998	Gera	
D405,966 S	2/1999	Hutton	
D425,711 S	5/2000	Desombre	
D426,714 S	* 6/2000	Linder	D6/334
D427,448 S	7/2000	Natuzzi et al.	
D429,082 S	8/2000	Desombre	
D430,411 S	9/2000	Zaidman	
D432,336 S	10/2000	Gibson	
D441,978 S	5/2001	Hutton	
D447,350 S	* 9/2001	Carlson	D6/336
D448,183 S	9/2001	Brisson	
D448,946 S	10/2001	Goetz	
D489,908 S	* 5/2004	Ricci	D6/334

OTHER PUBLICATIONS

De Coro Ltd. Sofa Model No. 2218, Apr. 2002, at the International Home Furnishings Market in High Point, N.C.
De Coro Ltd. Chair Model No. 2185, Apr. 2002, at the International Home Furnishings Market in High Point, N.C.

De Coro Ltd. Sofa Model No. 2171, Apr. 2002, at the International Home Furnishings Market in High Point, N.C.
De Coro Ltd. Sofa Model No. 2129, Oct. 2001, at the International Home Furnishings Market in High Point, N.C.
De Coro Ltd. Chair Model No. 170, Apr. 1998, at the International Home Furnishings Market in High Point, N.C.
De Coro Ltd. Chair Model No. 169, Apr. 1998, at the International Home Furnishings Market in High Point, N.C.
De Coro Ltd. Chair Model No. 168, Apr. 1998, at the International Home Furnishings Market in High Point, N.C.
De Coro Ltd. Sofa Model No. 108, Apr. 1998, at the International Home Furnishings Market in High Point, N.C.
De Coro Ltd. Chair Model No. 2258, Oct. 2002, at the International Home Furnishings Market in High Point, N.C.

(Continued)

Primary Examiner—Robert M. Spear
Assistant Examiner—Vy Nguyen
(74) *Attorney, Agent, or Firm*—Mitchell P. Brook; Luce, Forward, Hamilton & Scripps LLP

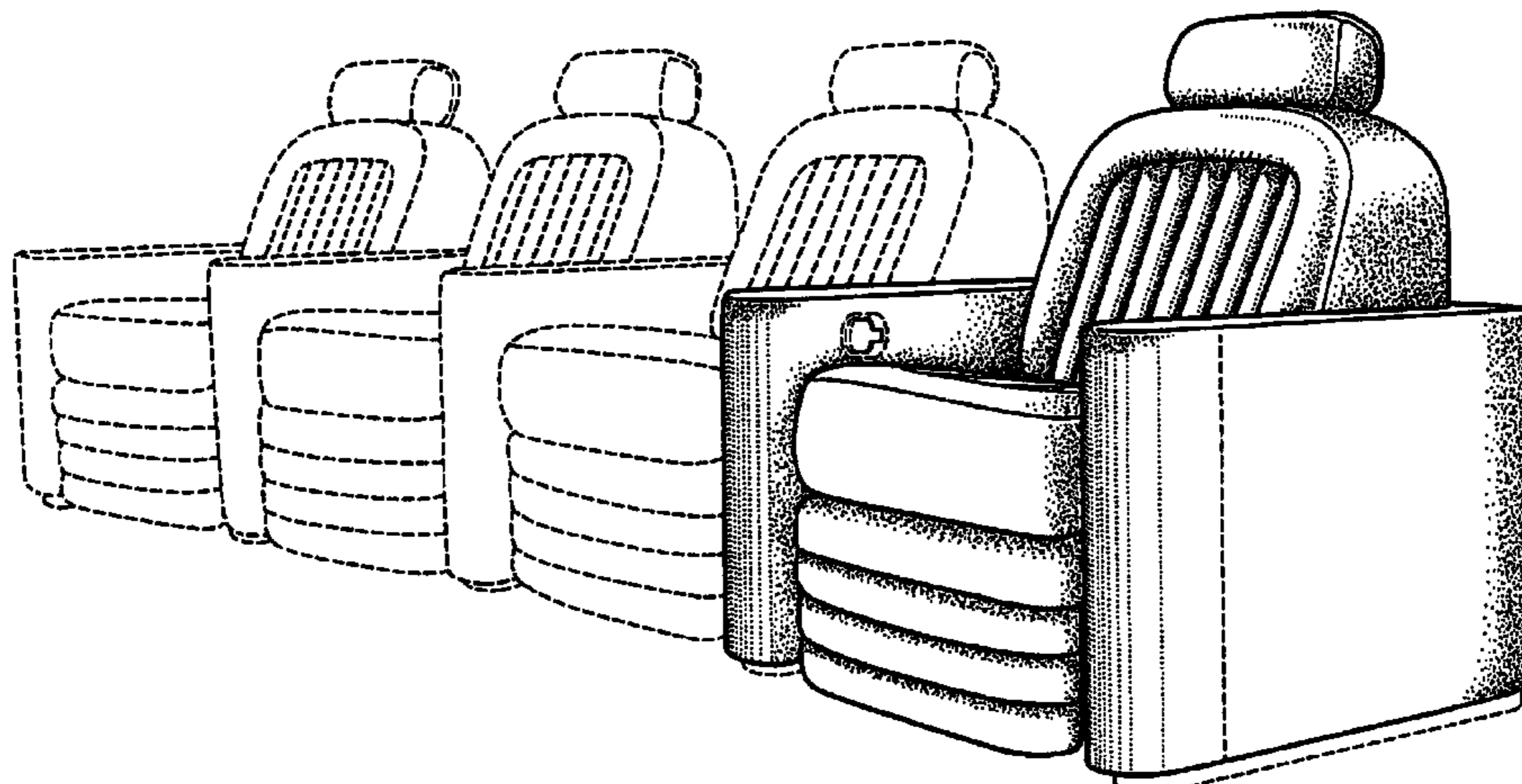
(57) **CLAIM**

The ornamental design for a chair, as shown and described.

DESCRIPTION

FIG. 1 is a front perspective view of my new chair design; FIG. 2 is a front elevation view of the embodiment of FIG. 1; FIG. 3 is a left, side elevation view of the embodiment of FIG. 1, with the right side elevational view being a mirror image thereof; FIG. 4 is a rear elevation view of the embodiment of FIG. 1; FIG. 5 is a front elevation view of the embodiment of FIG. 1, without the chair arms. The arms of the chair in FIG. 5 have been omitted for convenience of illustration; and, FIG. 6 is a top view of the embodiment of FIG. 1.
The broken line disclosure is for illustrative purposes only and forms no part of the claimed design.

1 Claim, 4 Drawing Sheets



OTHER PUBLICATIONS

De Coro Ltd. Chair Model No. 2259, Oct. 2002, at the International Home Furnishings Market in High Point, N.C.
De Coro Ltd. Sofa Model No. 2268, Oct. 2002, at the International Home Furnishings Market in High Point, N.C.
De Coro Ltd. Sofa Model No. 2269, Oct. 2002, at the International Home Furnishings Market in High Point, N.C.

De Coro Ltd. Sofa Model No. 2270, Oct. 2002, at the International Home Furnishings Market in High Point, N.C.

De Coro Ltd. Chair Model No. 2293, Oct. 2002, at the International Home Furnishings Market in High Point, N.C.

* cited by examiner

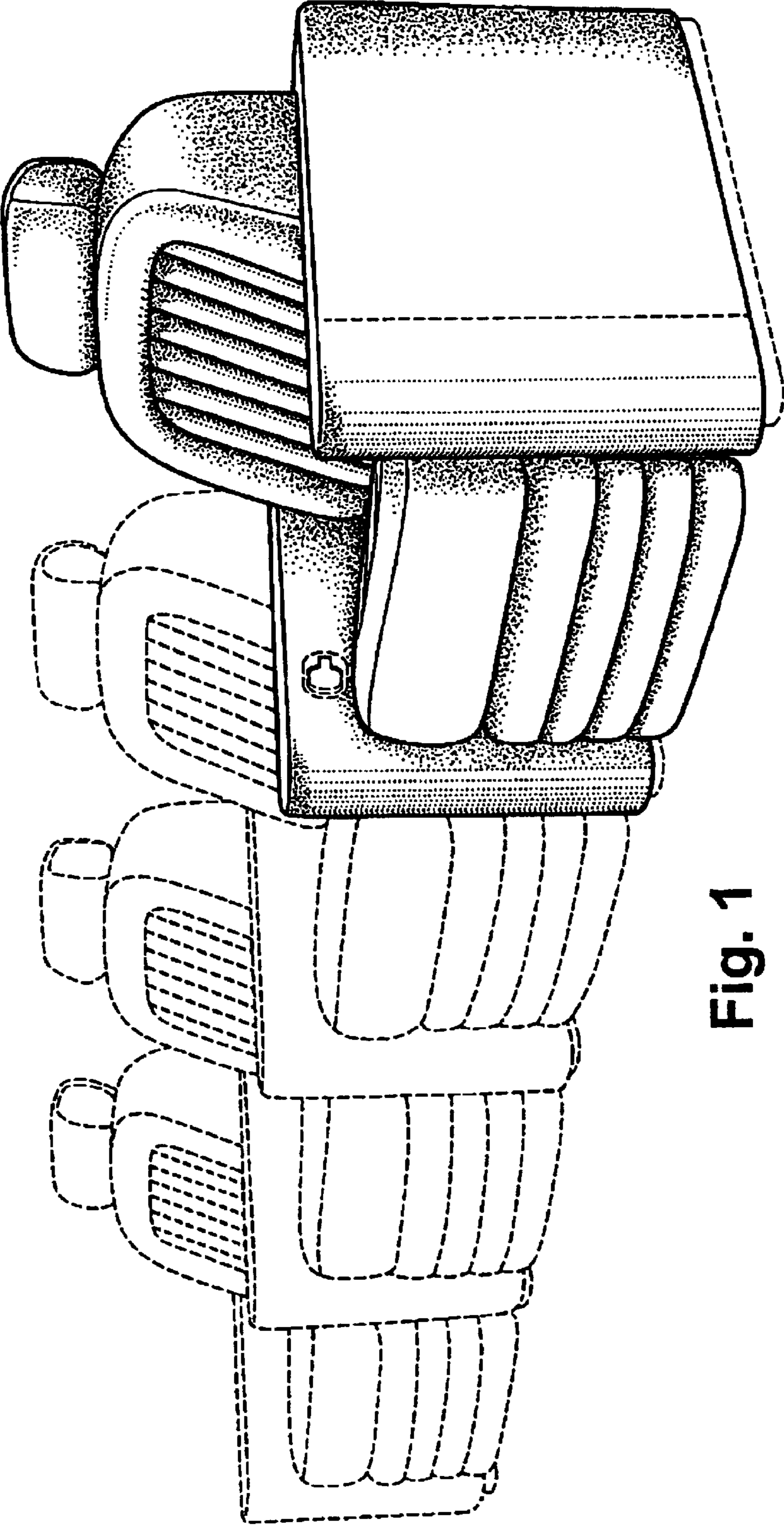


Fig. 1

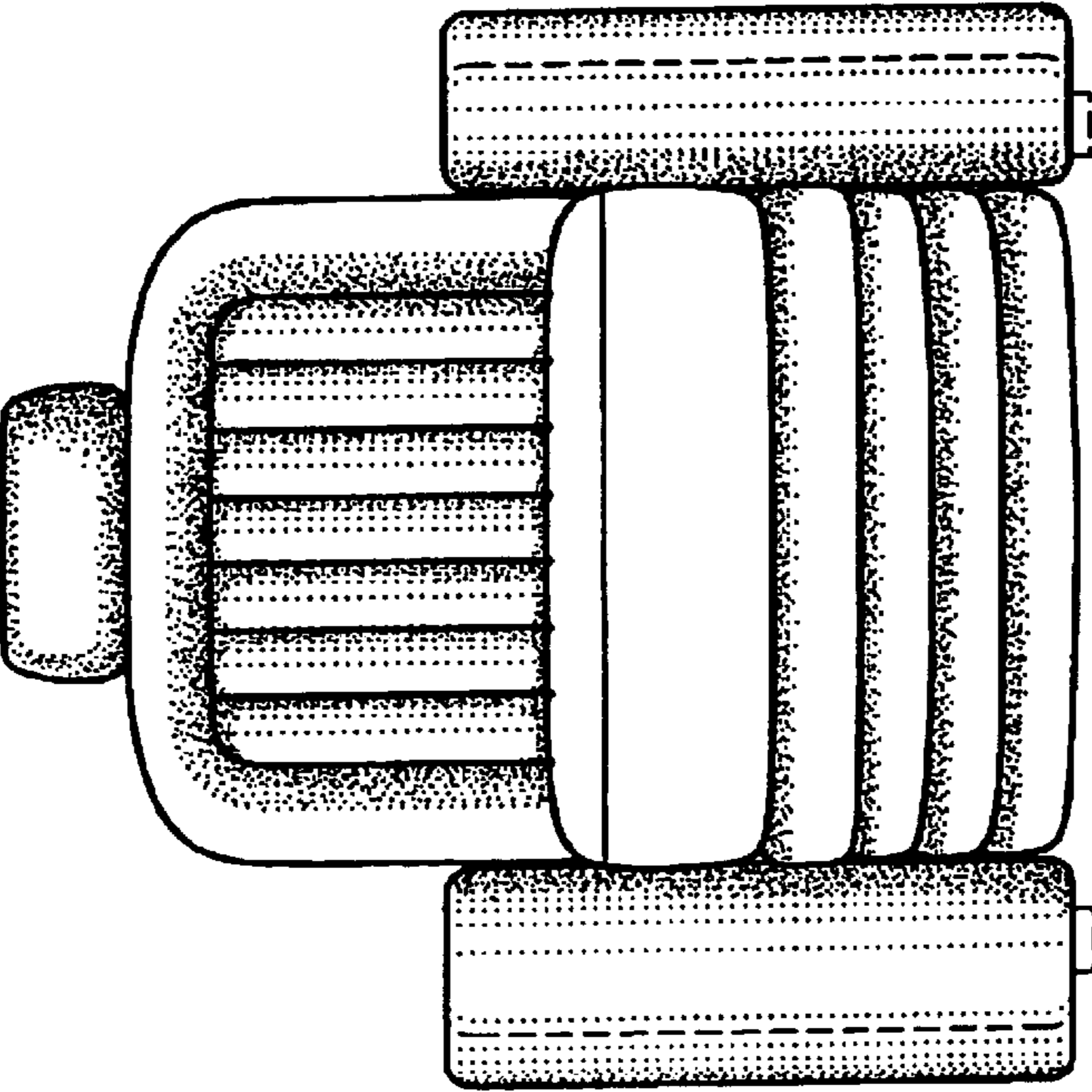


Fig. 2

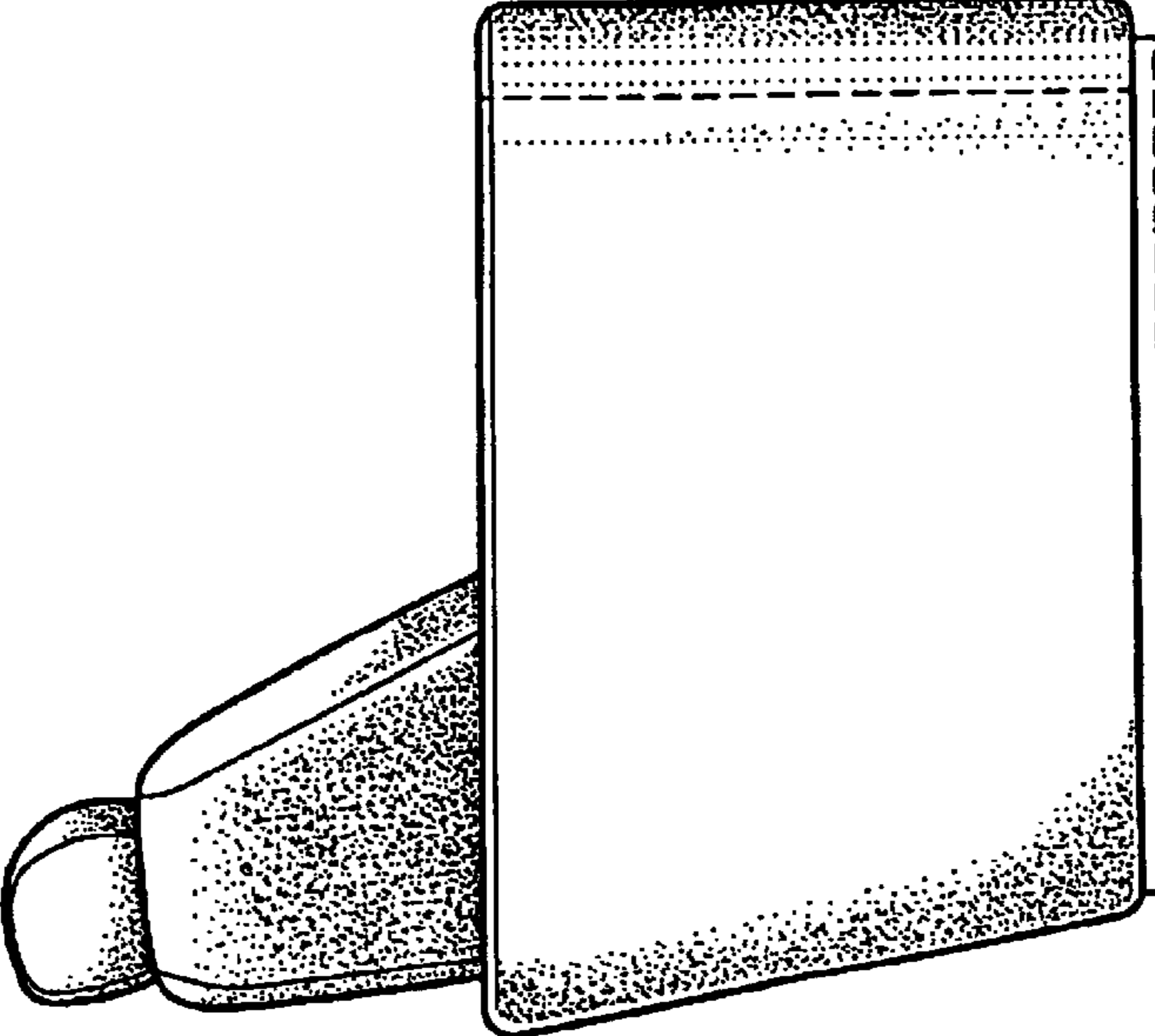


Fig. 3

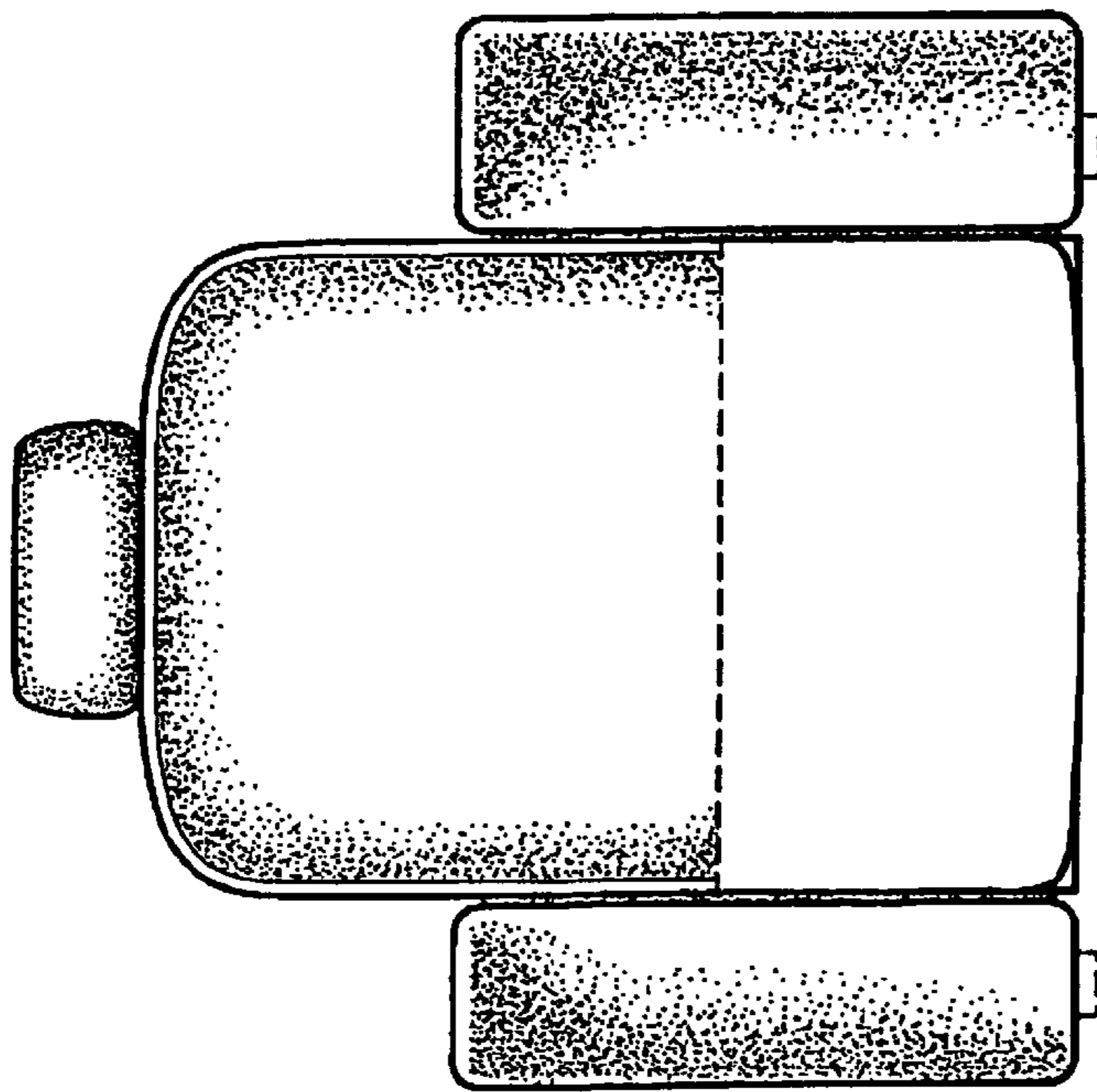


Fig. 4

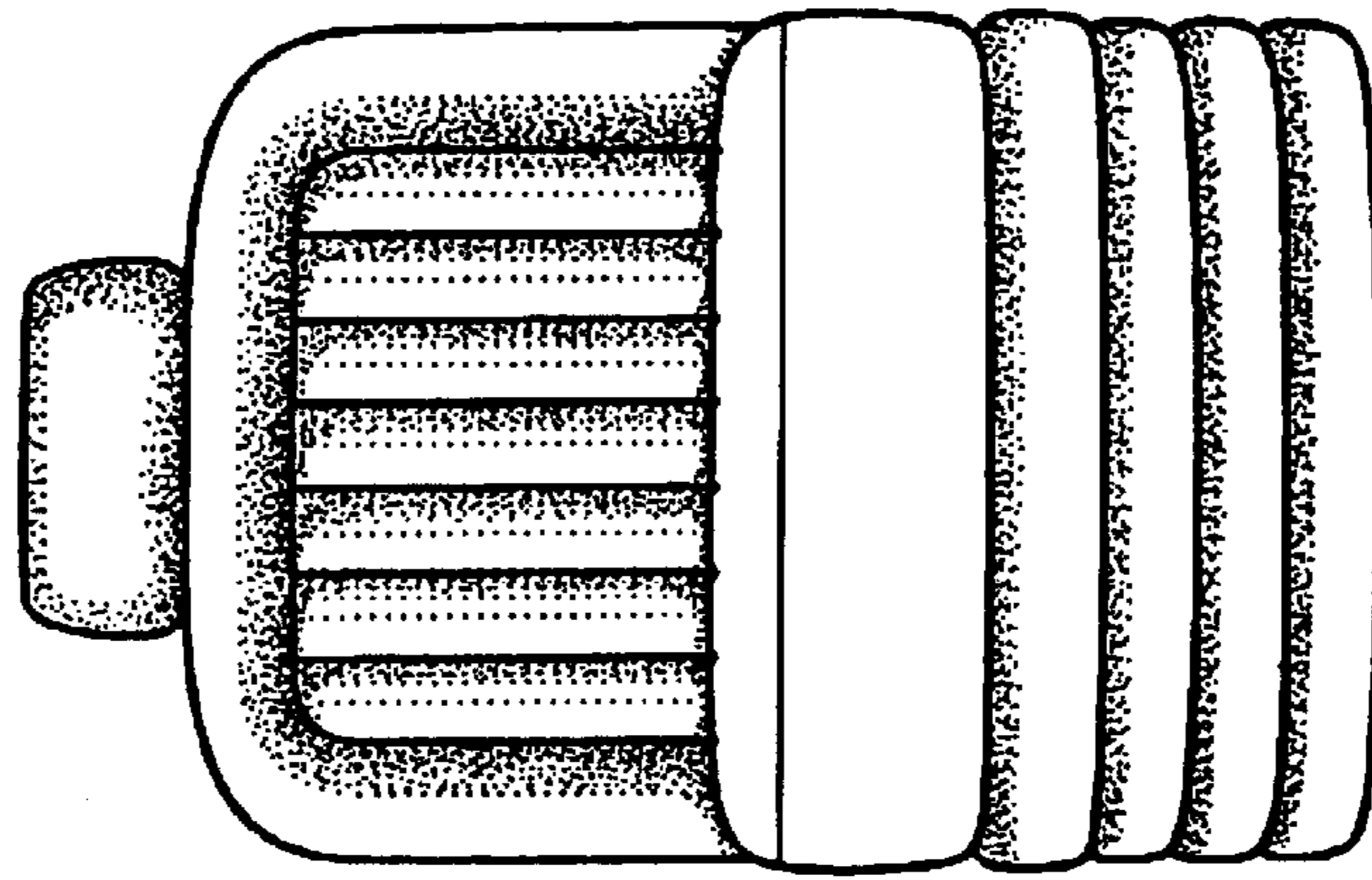


Fig. 5

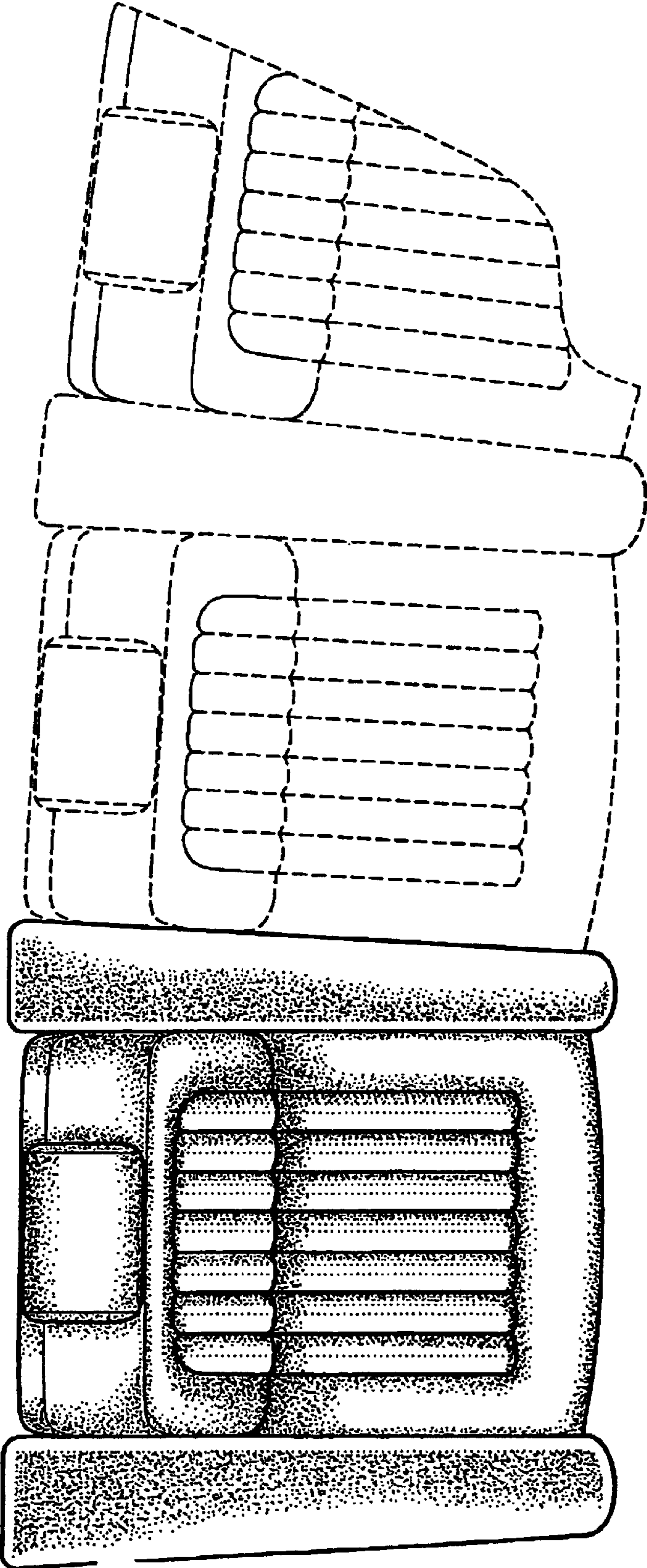


Fig. 6