

US00D506077S

(12) **United States Design Patent**
Pluchino et al.

(10) **Patent No.: US D506,077 S**
(45) **Date of Patent: ** Jun. 14, 2005**

(54) **THREE-PIECE SWIMWEAR HANGER**

(75) Inventors: **Joseph Pluchino**, Mount Olive, NJ (US); **Ellen Stein Ritzmann**, New City, NY (US); **Andrew Appell**, Woodmere, NY (US)

(73) Assignee: **Randy Hangers, LLC**, East Rutherford, NJ (US)

(**) Term: **14 Years**

(21) Appl. No.: **29/200,736**

(22) Filed: **Mar. 3, 2004**

(51) **LOC (8) Cl.** **06-08**

(52) **U.S. Cl.** **D6/326**

(58) **Field of Search** D6/315, 318-319, D6/326; 24/499-500, 517-518; 211/86.01, 113; 223/85, 88-93, 95-96, DIG. 2

(56) **References Cited**

U.S. PATENT DOCUMENTS

D197,542 S	*	2/1964	Levine et al.	D6/319
D204,175 S	*	3/1966	Zuckerman	D6/319
3,406,882 A	*	10/1968	Phillips	223/88
4,109,838 A	*	8/1978	Dwek	223/91
D271,552 S	*	11/1983	Samuels	D6/319
D302,078 S	*	7/1989	De Wet	D6/319
D368,805 S	*	4/1996	Hatakeyama	D6/315
5,613,630 A	*	3/1997	Isenga et al.	223/88
6,000,588 A	*	12/1999	Kolton et al.	223/88

* cited by examiner

Primary Examiner—Stella Reid

Assistant Examiner—Daniel Bui

(74) *Attorney, Agent, or Firm*—Katten Muchin Zavis Rosenman

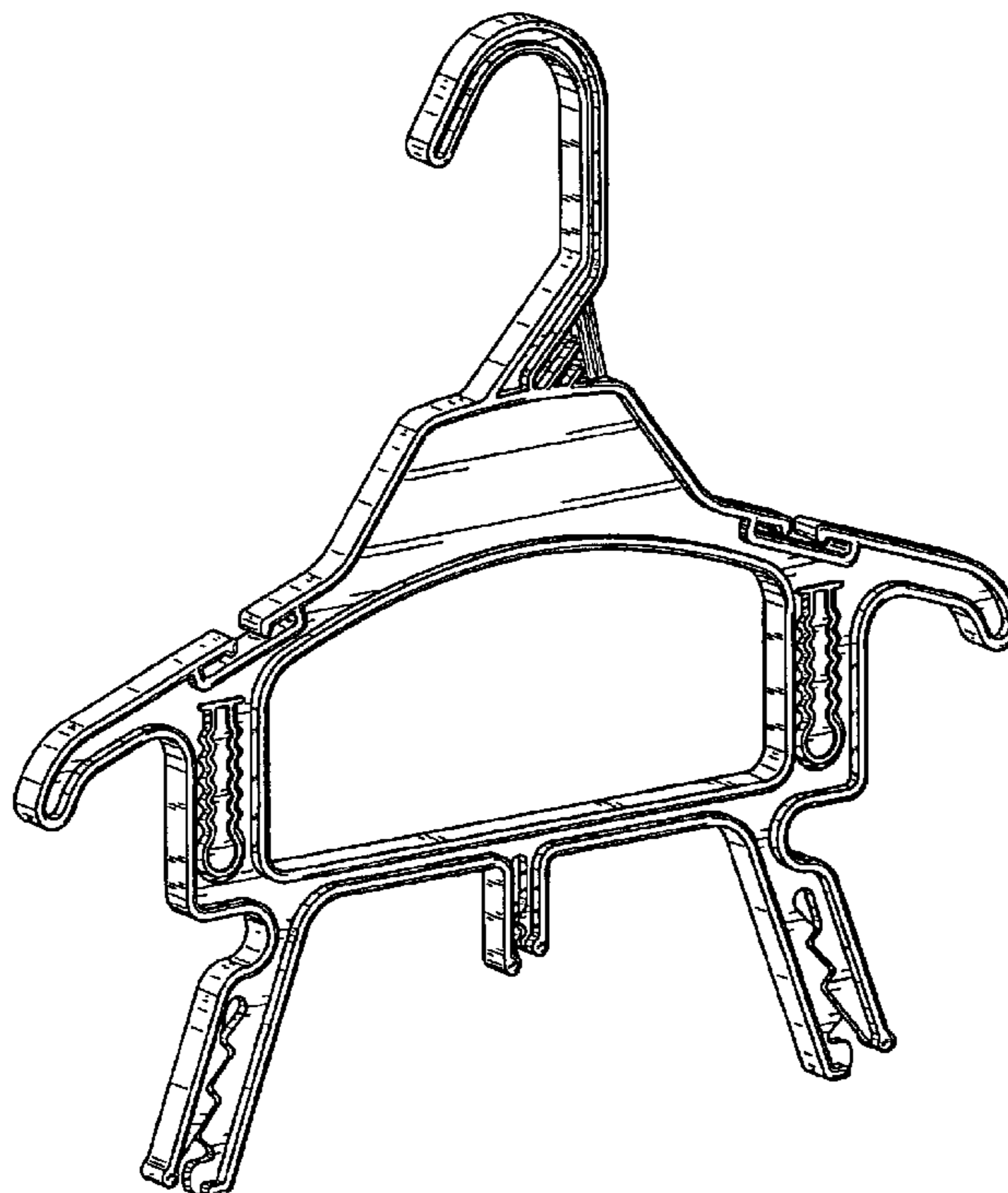
(57) **CLAIM**

The ornamental design for a three-piece swimwear hanger, as shown and described.

DESCRIPTION

FIG. 1 is a perspective view of the three-piece swimwear hanger showing our new design;
 FIG. 2 is a front elevation view thereof;
 FIG. 3 is a rear elevation thereof;
 FIG. 4 is a left side elevation thereof;
 FIG. 5 is a right side elevation thereof;
 FIG. 6 is a top view thereof;
 FIG. 7 is a bottom view thereof;
 FIG. 8 is a front elevation view thereof shown with a swimwear piece being held therein and shown in broken lines and forming no part of the claimed invention;
 FIG. 9 is a front elevation view thereof shown with an additional swimwear piece being held therein and shown in broken lines and forming no part of the claimed invention;
 FIG. 10 is a front elevation view thereof shown with yet an additional swimwear piece being held therein and shown in broken lines and forming no part of the claimed invention;
 and,
 FIG. 11 is rear elevation view of the hanger of FIG. 10.

1 Claim, 9 Drawing Sheets



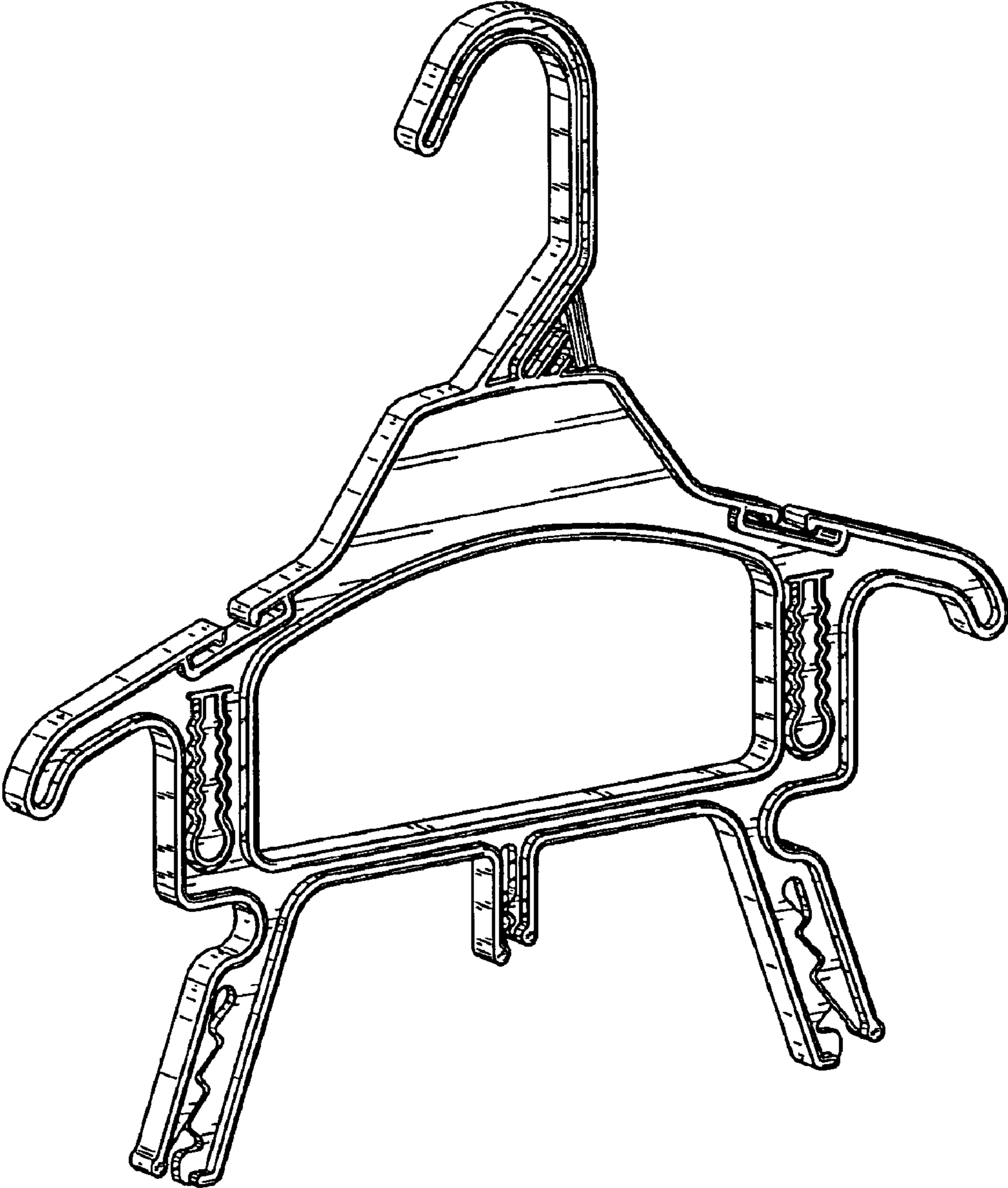


FIG. 1

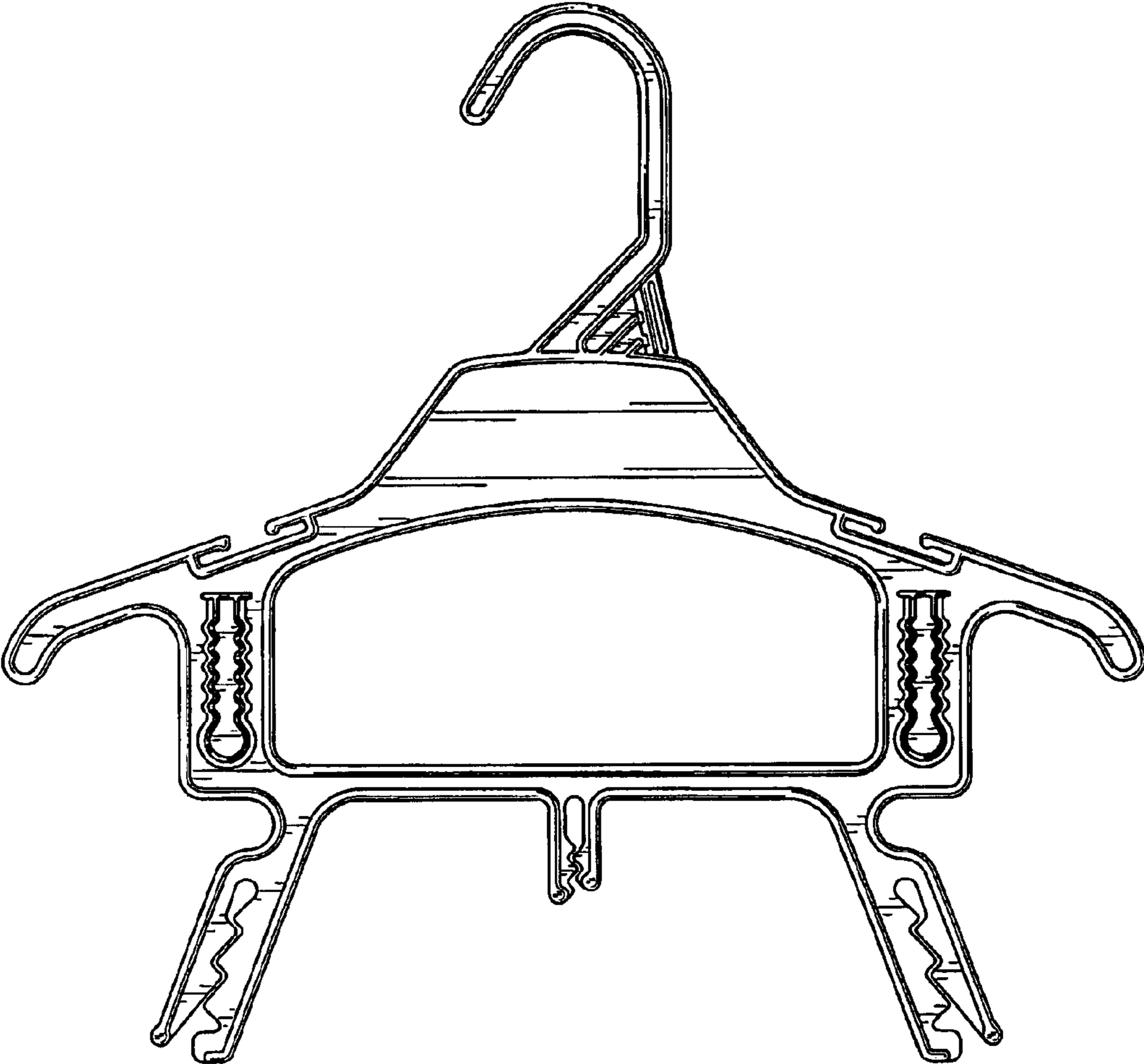


FIG. 2

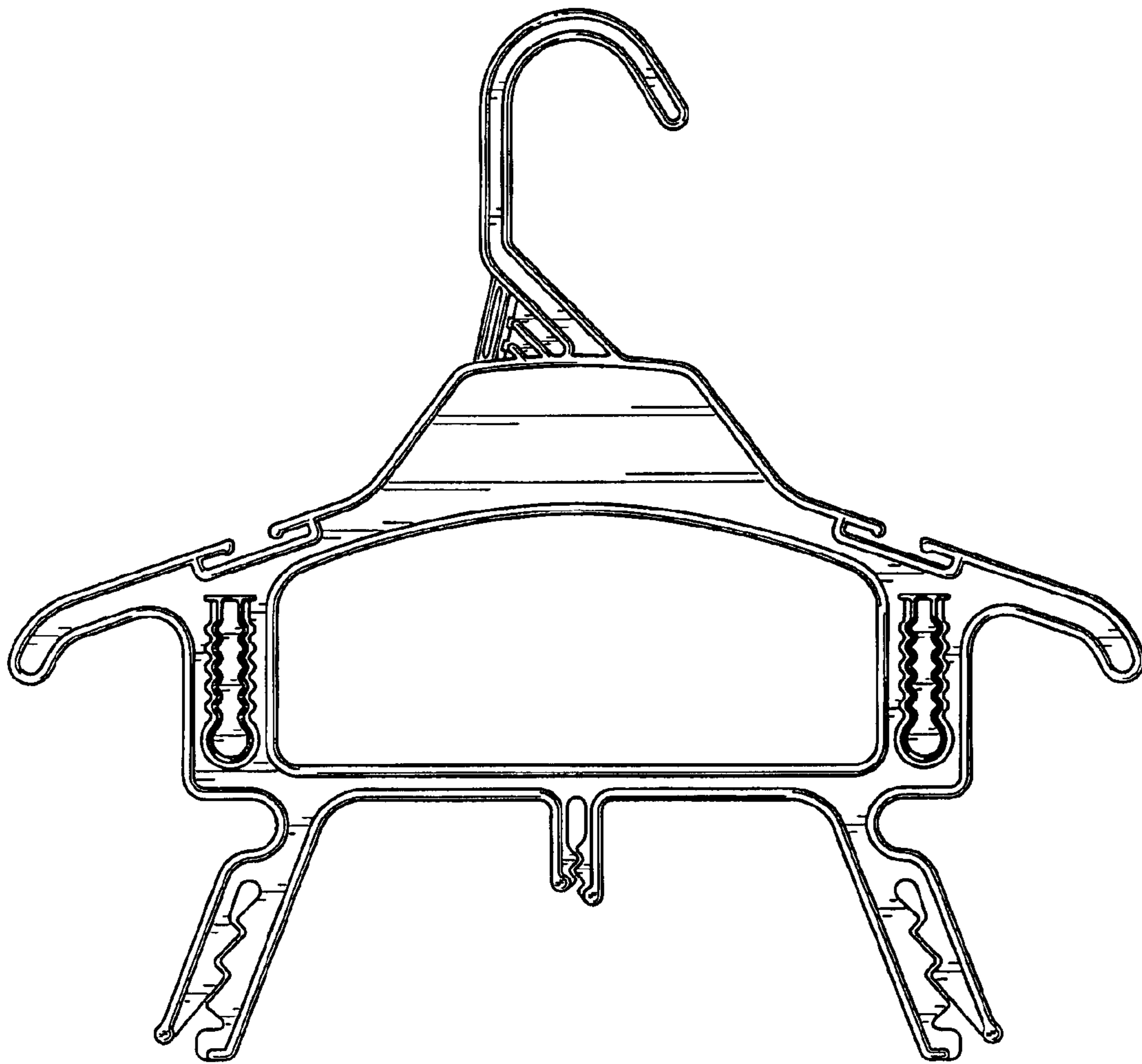


FIG. 3



FIG. 4



FIG. 5



FIG. 6



FIG. 7

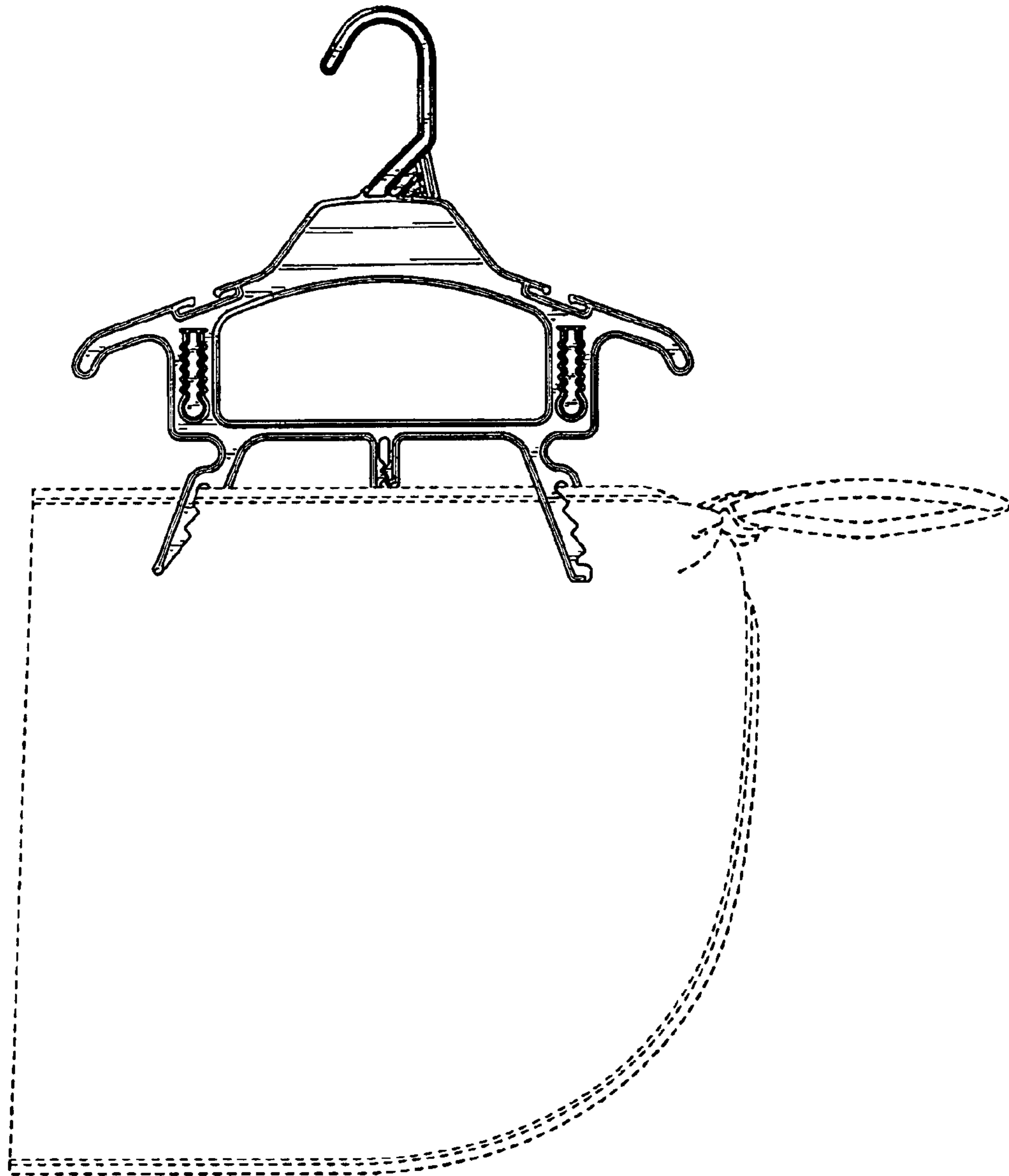


FIG. 8

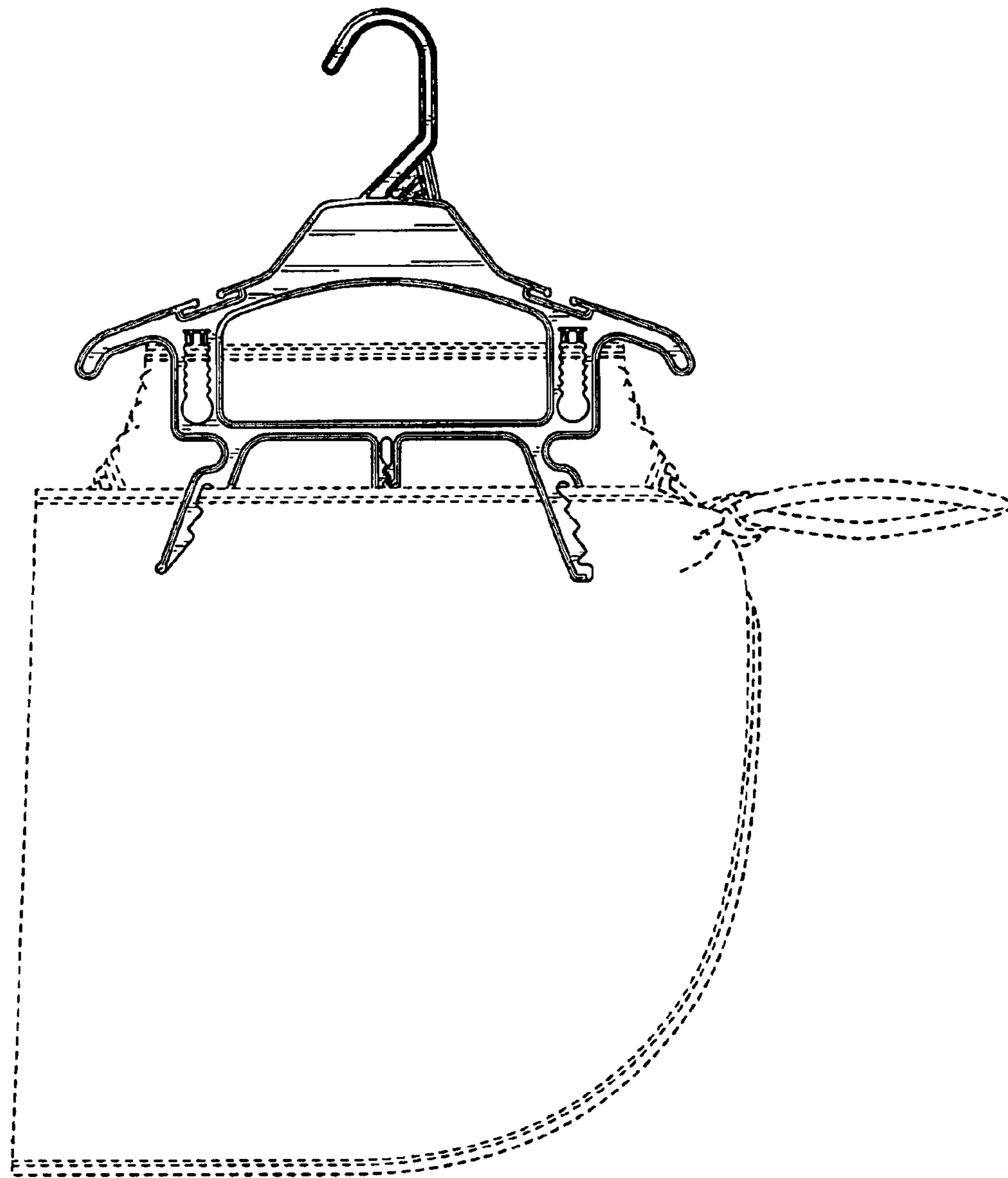


FIG. 9

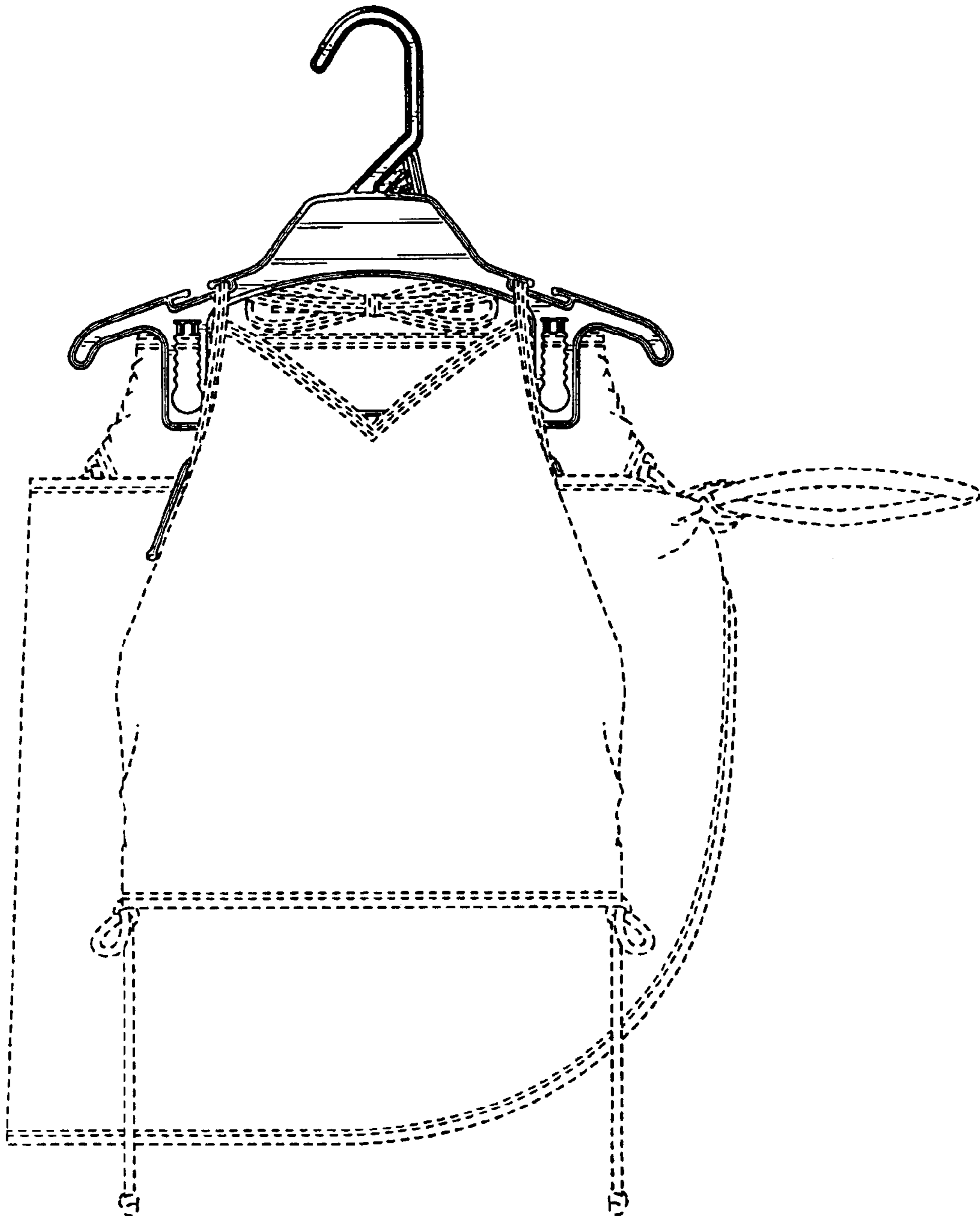


FIG. 10

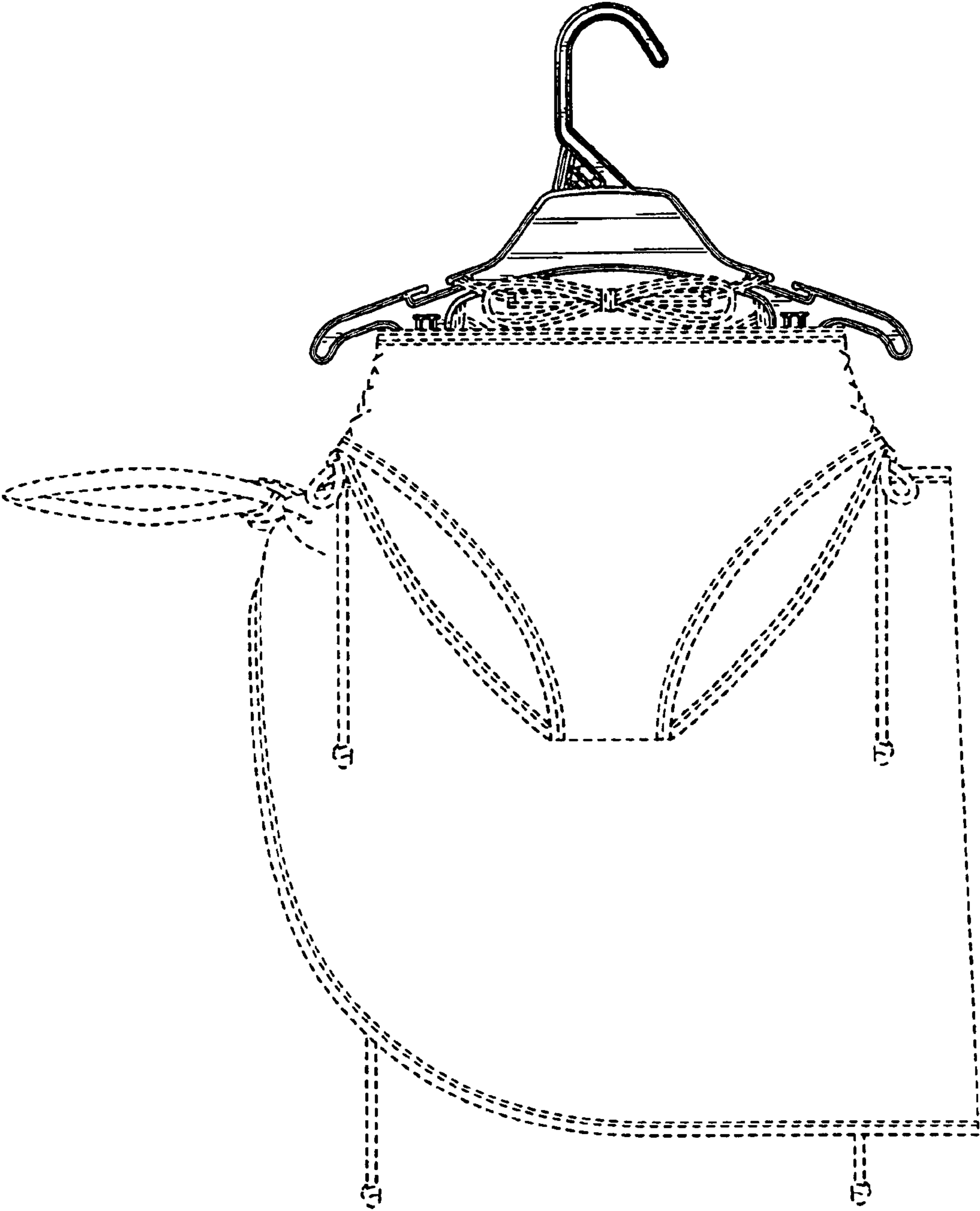


FIG. 11