

US00D506063S

(12) **United States Design Patent**
Hussa-Lietz

(10) **Patent No.:** **US D506,063 S**

(45) **Date of Patent:** **** Jun. 14, 2005**

(54) **TOY CONTAINER**

(75) **Inventor:** **Kyle Hussa-Lietz, Wilkes-Barre, PA (US)**

(73) **Assignee:** **Connector Set Limited Partnership, Hatfield, PA (US)**

(**) **Term:** **14 Years**

(21) **Appl. No.:** **29/199,176**

(22) **Filed:** **Feb. 10, 2004**

(51) **LOC (8) Cl.** **03-01**

(52) **U.S. Cl.** **D3/271.12**

(58) **Field of Search** D3/254, 270, 271.1, D3/273, 276, 279, 282, 302; D21/421; D6/440; D34/19; 446/76, 470; 206/315.1, 457; 190/18 A

(56) **References Cited**

U.S. PATENT DOCUMENTS

D338,923 S * 8/1993 Ran D6/440
D353,727 S * 12/1994 Sun D6/440

D359,618 S * 6/1995 Chen D3/271.12
D369,022 S * 4/1996 Sun D3/271.12
D401,407 S * 11/1998 Bro et al. D3/271.12
D402,463 S * 12/1998 Mettler D3/279
D476,153 S * 6/2003 Sadr et al. D3/279

* cited by examiner

Primary Examiner—Philip S. Hyder

(74) *Attorney, Agent, or Firm*—Schweitzer Cornman Gross & Bondell LLP

(57) **CLAIM**

The ornamental design for a toy container, as shown and described.

DESCRIPTION

FIG. 1 is a perspective view from the front;
FIG. 2 is a front elevation view;
FIG. 3 is a top plan view;
FIG. 4 is a side elevation view, the other side being a mirror image; and,
FIG. 5 is a rear perspective view.
The bottom forms no part of the claimed design.

1 Claim, 5 Drawing Sheets

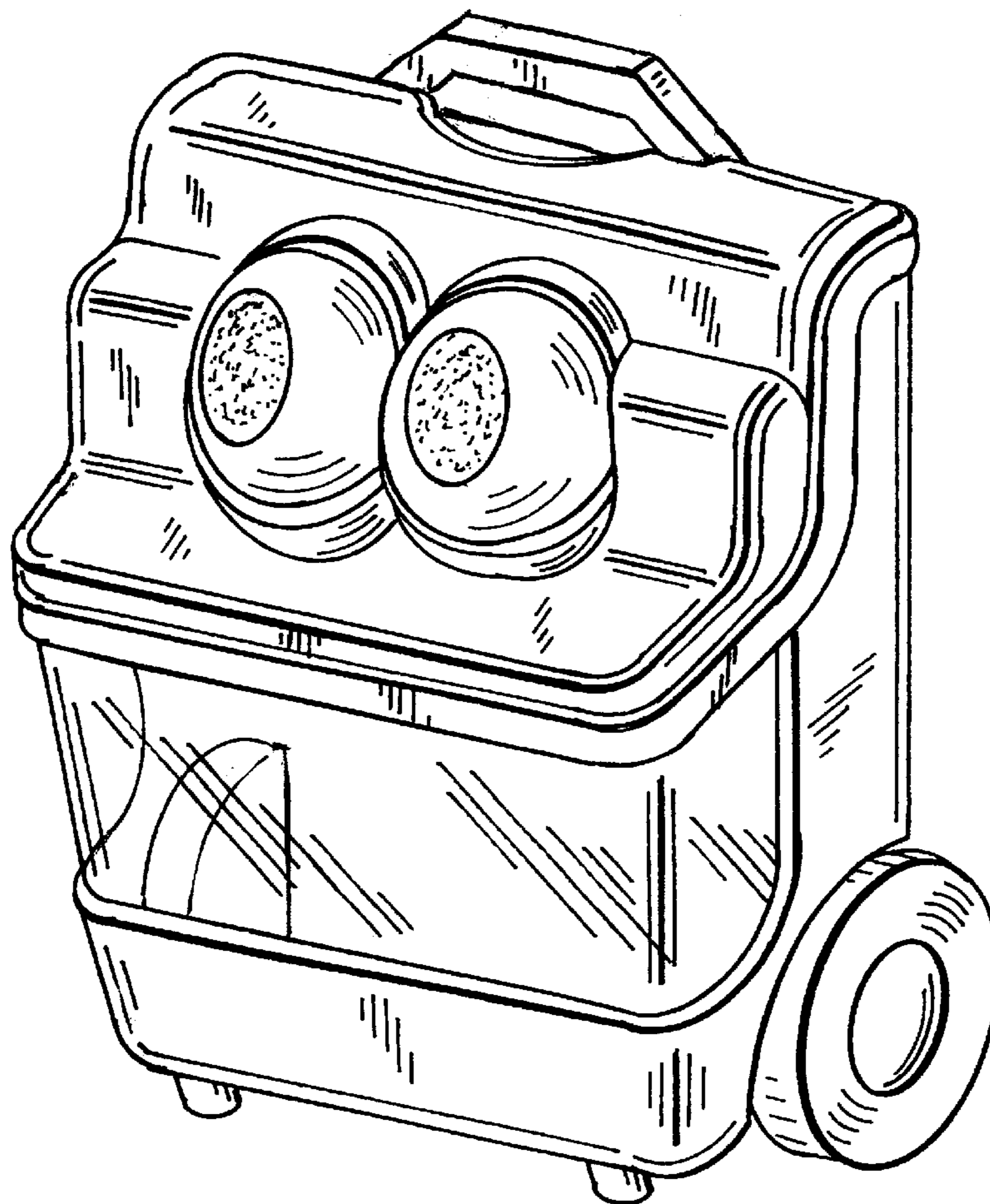


FIG. 1

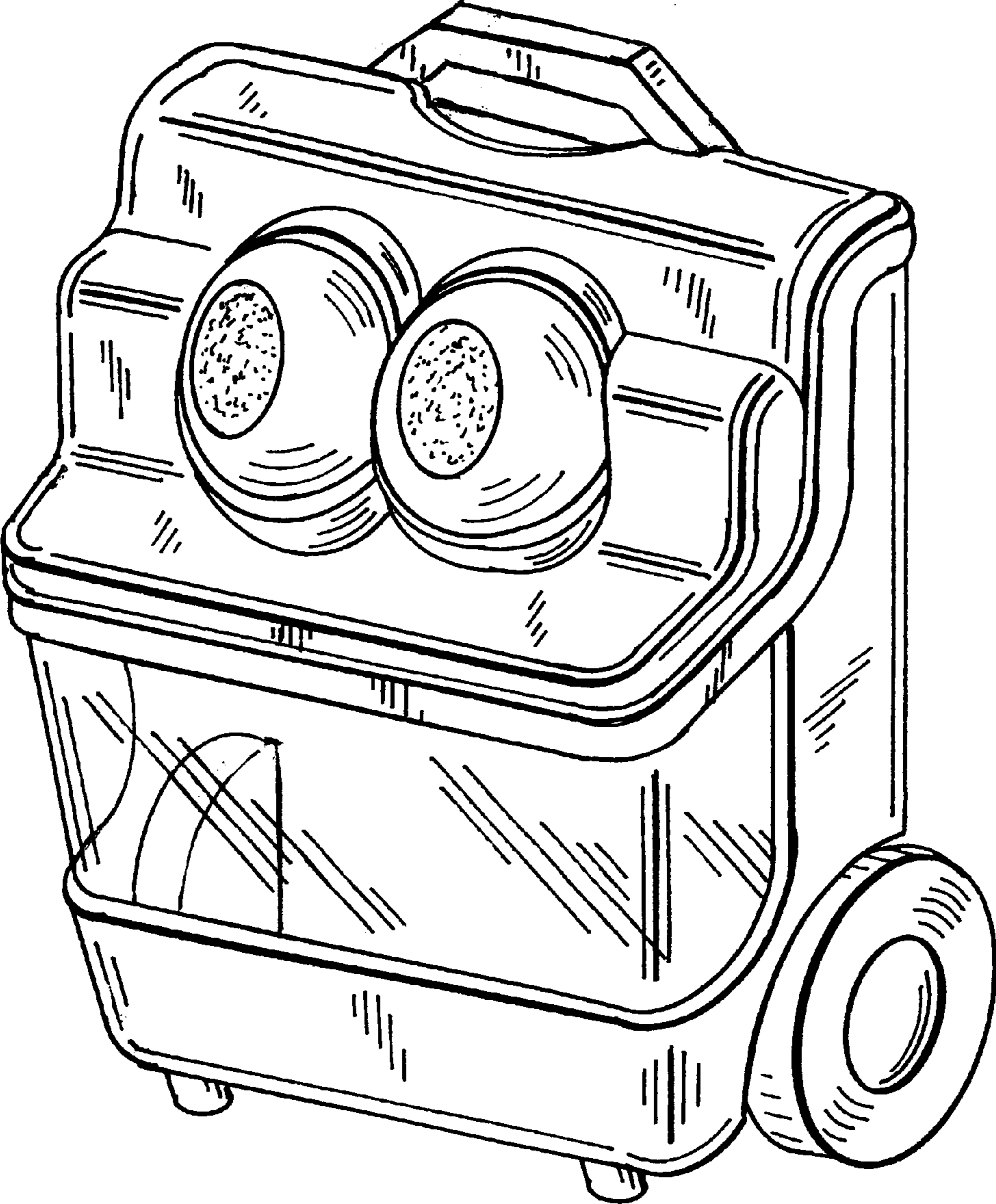


FIG. 2

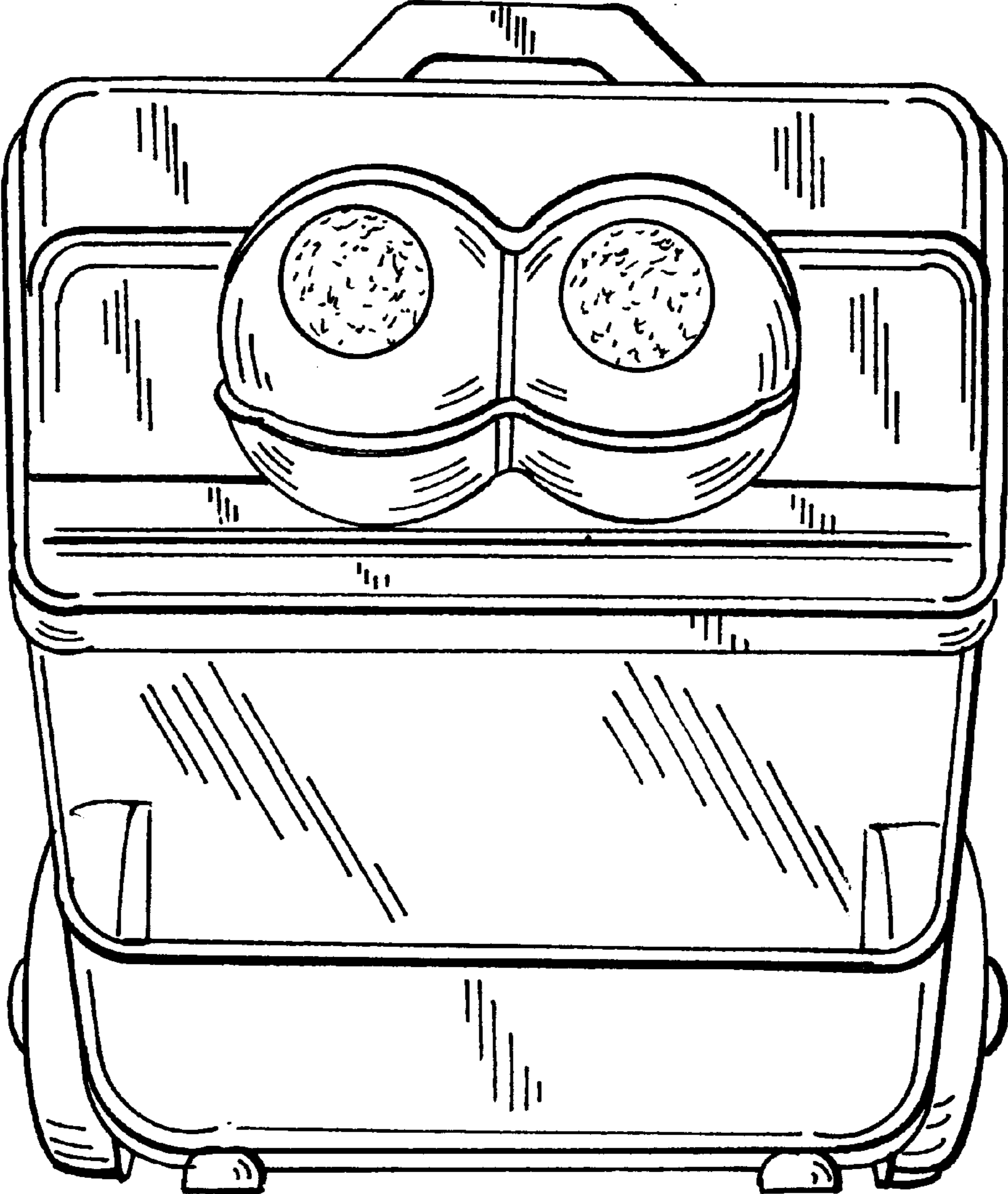


FIG. 3

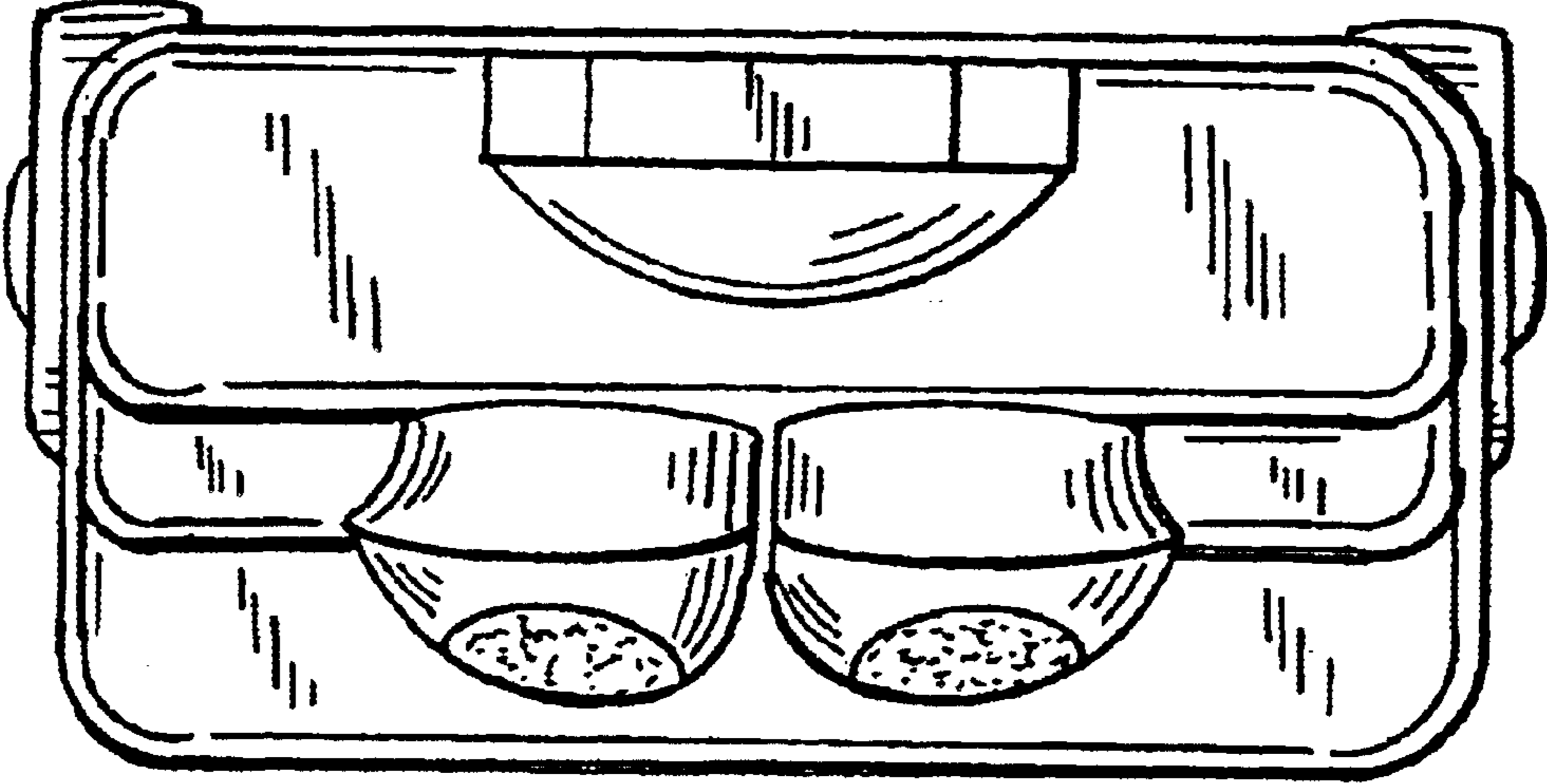


FIG. 4

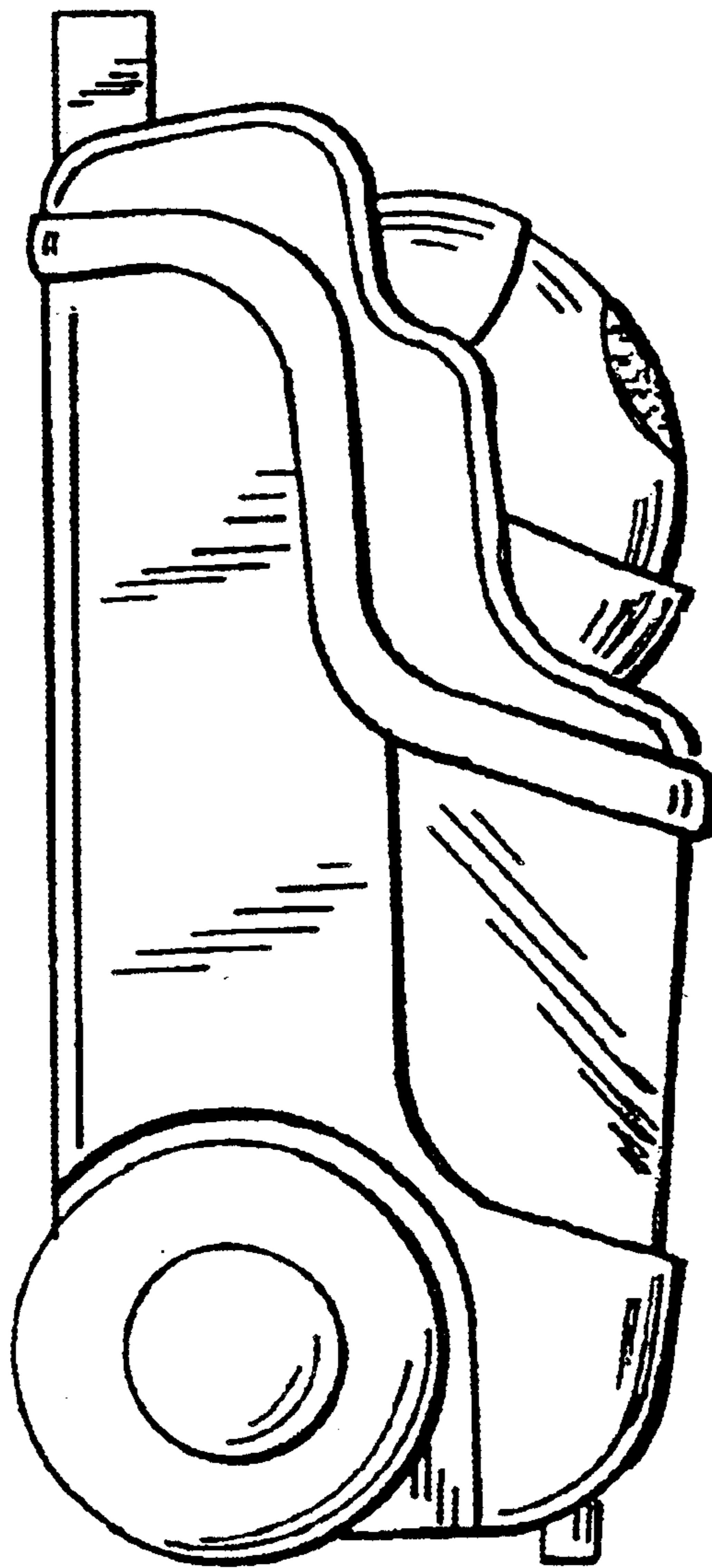


FIG. 5

