

US00D506062S

(12) **United States Design Patent**
Whalen et al.

(10) **Patent No.:** **US D506,062 S**
(45) **Date of Patent:** **** Jun. 14, 2005**

(54) **BOW CASE**
(75) Inventors: **John Whalen**, Sheridan, IL (US); **John J. Hagemann**, Plano, IL (US)
(73) Assignee: **Plano Molding Company**, Plano, IL (US)

5,775,313 A 7/1998 Bresette et al.
5,803,069 A 9/1998 Schreiber
5,848,718 A 12/1998 Colwell
6,193,089 B1 2/2001 Yu
D456,133 S * 4/2002 Fiore, Jr. D3/254
6,390,294 B1 * 5/2002 Fiore et al. 206/315.11

(**) Term: **14 Years**
(21) Appl. No.: **29/179,809**
(22) Filed: **Apr. 15, 2003**

(51) **LOC (8) Cl.** **03-01**
(52) **U.S. Cl.** **D3/262**
(58) **Field of Search** D3/254, 262, 273,
D3/276, 294, 29; 206/315.11, 317, 314;
124/86

OTHER PUBLICATIONS

Doskocil Mfg. Co. 1995 Gun Guard Quality Sporting Cases Catalog, p. 13 (Archery Edition).
Woodstream (an EKCO Group Company) 1991 Hunting and Shooting Accessories Catalog (inside cover—Field Locker), p. 2.
Kolpin Mfg., Inc. 1997 Hunting Products Catalog, p. 15 (Gator Hard-Sided Bow Cases).

* cited by examiner

Primary Examiner—Philip S. Hyder
(74) *Attorney, Agent, or Firm*—Vedder, Price, Kaufman & Kammholz

(56) **References Cited**

U.S. PATENT DOCUMENTS

3,088,583 A 5/1963 Holtz
3,337,028 A 8/1967 Glavan
3,351,270 A 11/1967 Hohnjec
3,421,682 A 1/1969 Eisenbach
D246,138 S 10/1977 Christensen et al.
4,576,307 A * 3/1986 Frydenberg 220/324
4,854,476 A 8/1989 Serio, Jr.
D320,113 S * 9/1991 VanSkiver D3/262
D336,984 S * 7/1993 VanSkiver D3/262
5,242,050 A 9/1993 Billings 206/315.11
D343,057 S 1/1994 Dickinson
D347,322 S * 5/1994 Fiore D3/262
D358,254 S * 5/1995 VanSkiver D3/254
D358,255 S * 5/1995 Sharp et al. D3/262
5,456,379 A 10/1995 Krupa et al.

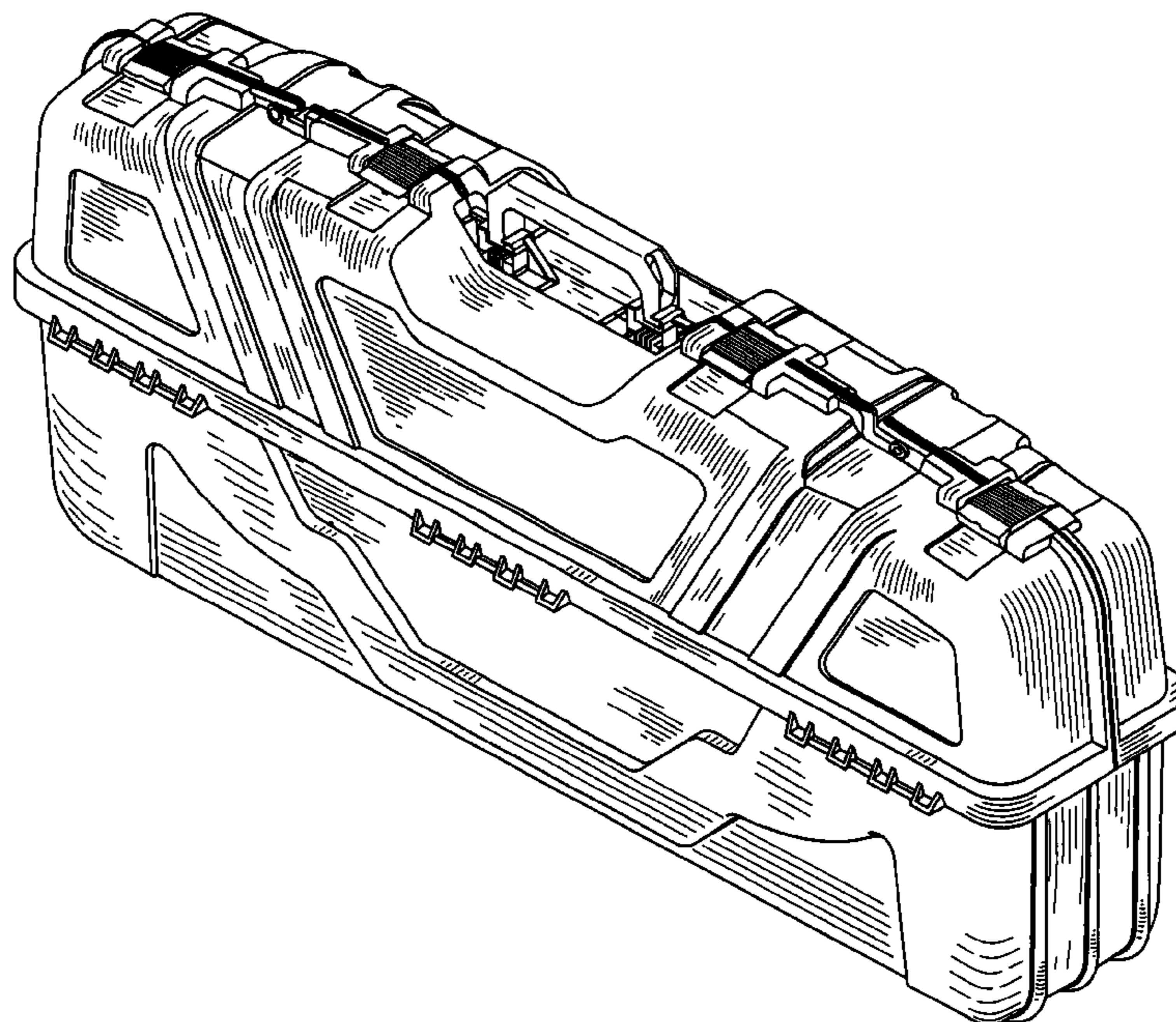
(57) **CLAIM**

The ornamental design of the bow case, as shown.

DESCRIPTION

FIG. 1 is a perspective view of a bow case showing my new design;
FIG. 2 is a front view of my invention;
FIG. 3 is a back view of my invention;
FIG. 4 is a side view of my invention;
FIG. 5 is a side view of my invention;
FIG. 6 is a top view of my invention; and,
FIG. 7 is a bottom view of my invention.

1 Claim, 3 Drawing Sheets



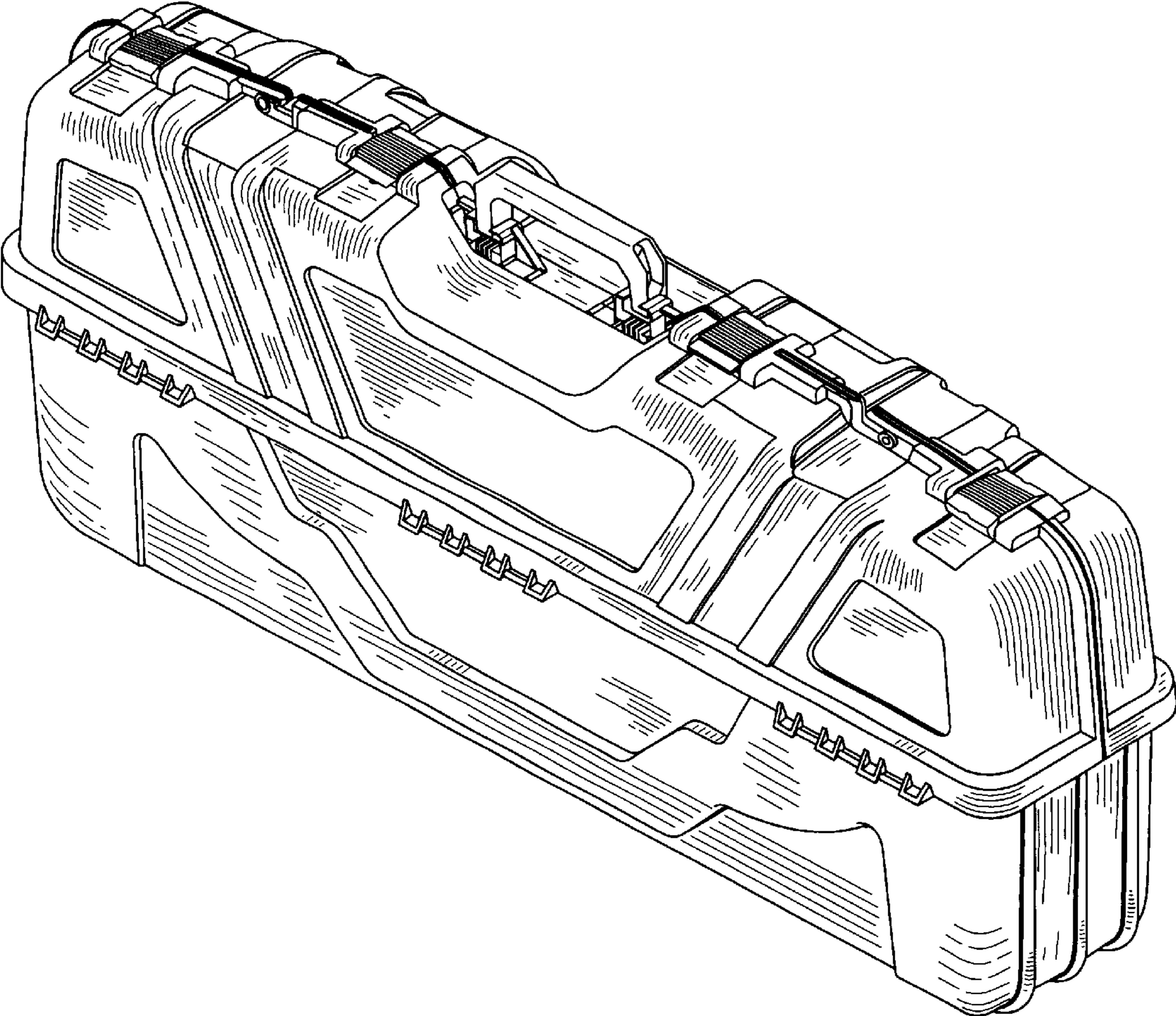


FIG. 1

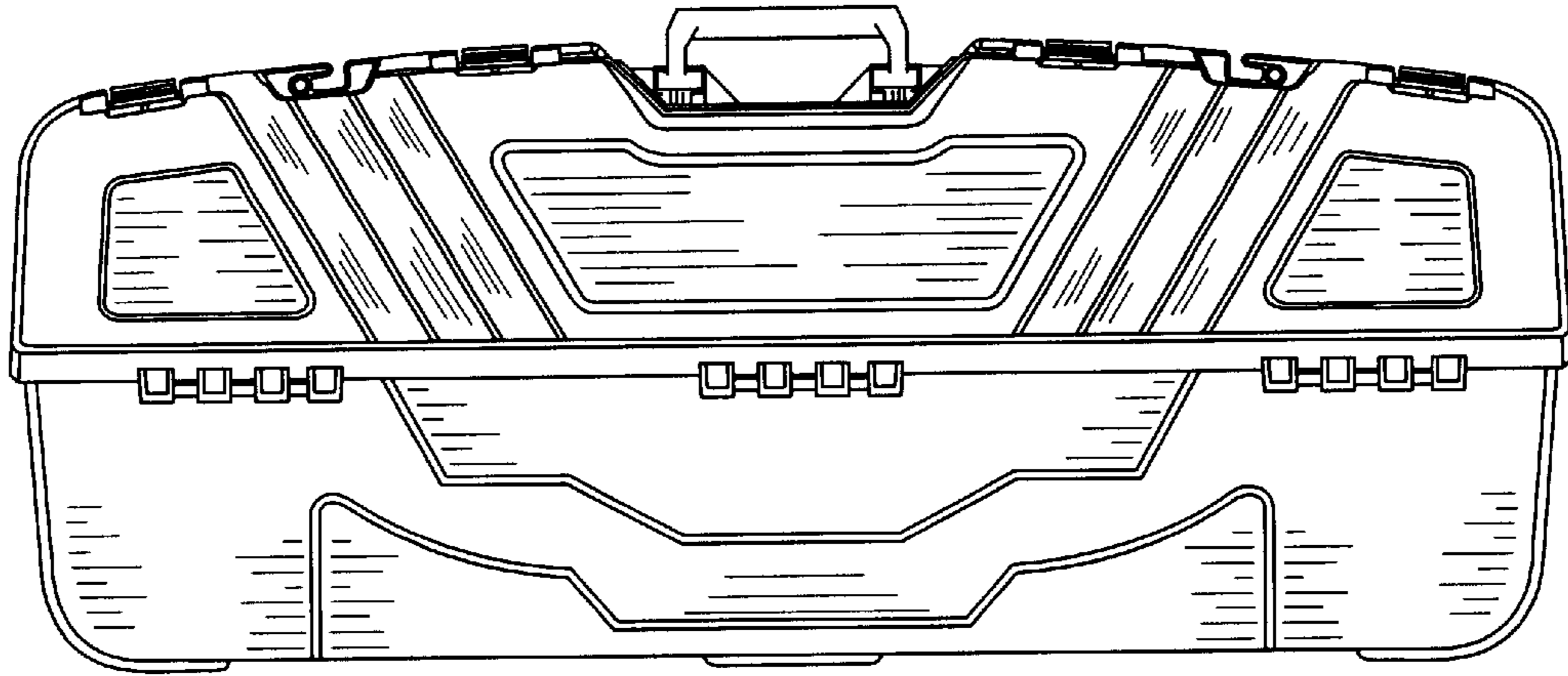


FIG. 2

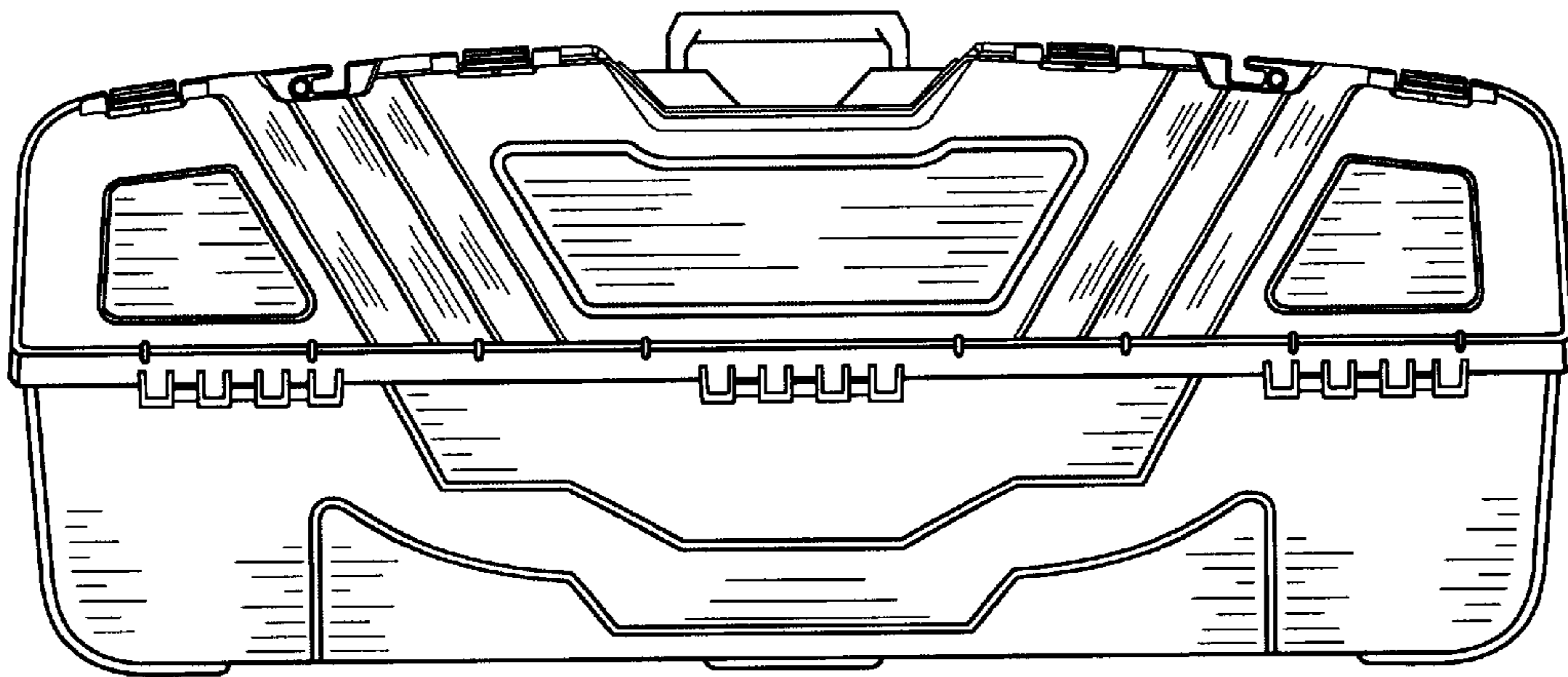


FIG. 3

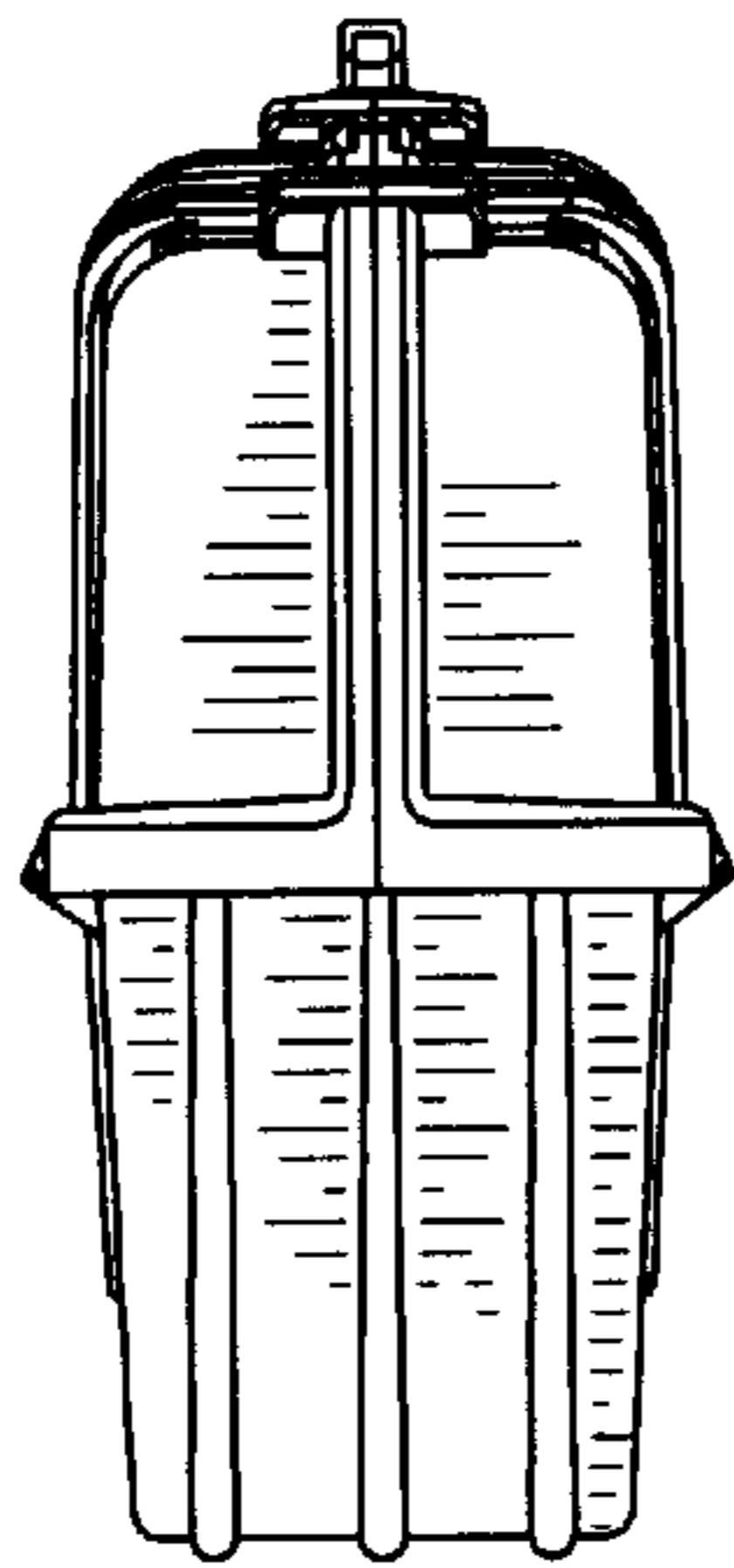


FIG. 4

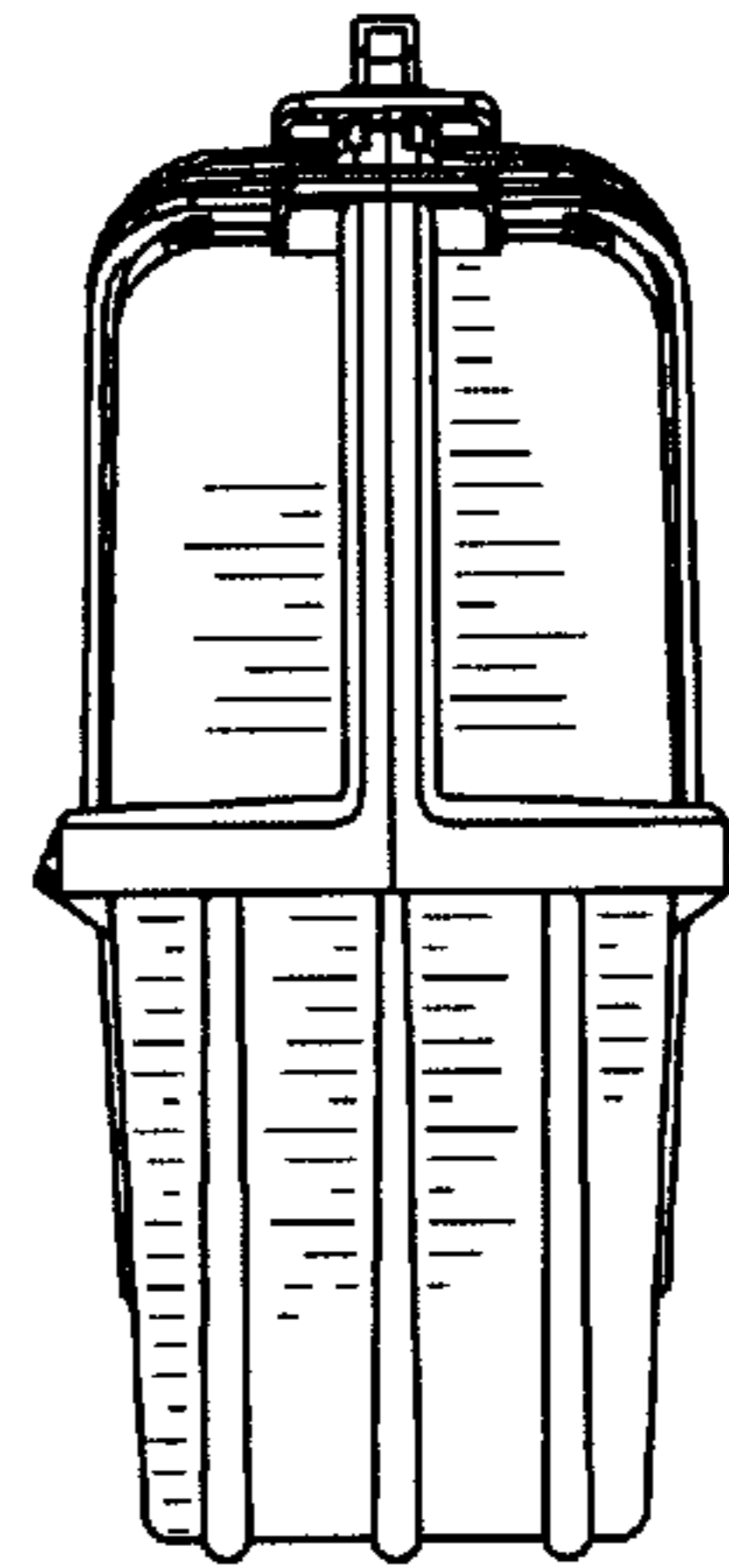


FIG. 5

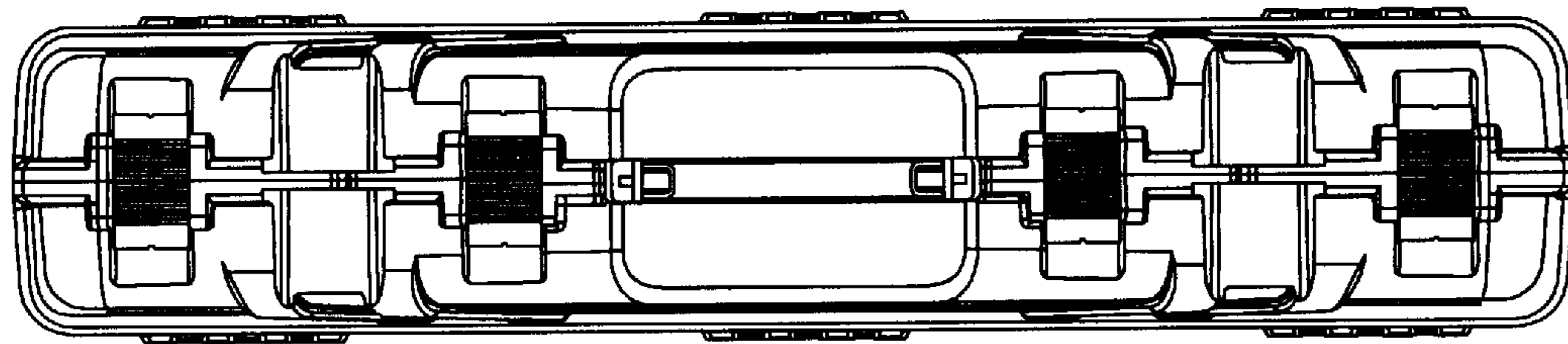


FIG. 6

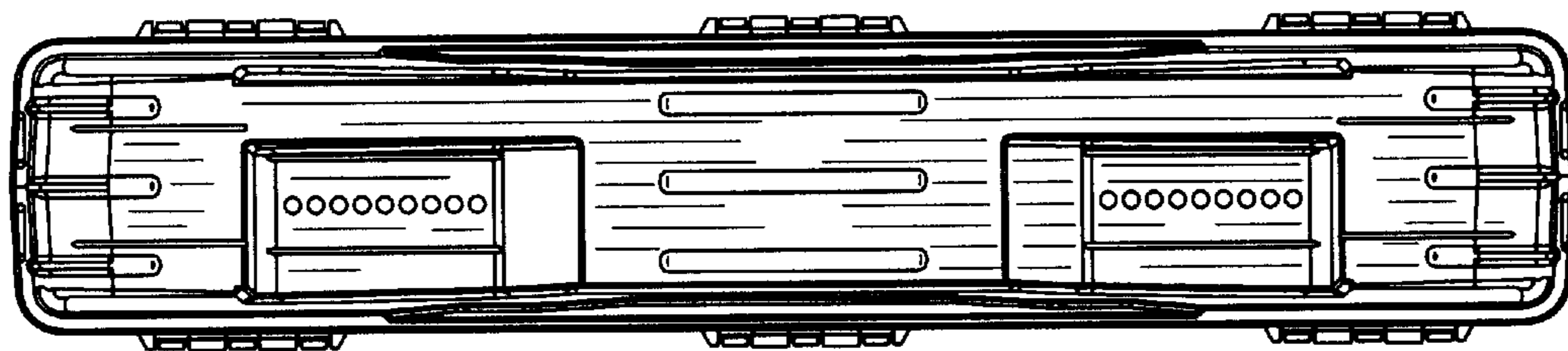


FIG. 7