

US00D506061S

(12) **United States Design Patent**
McGibben

(10) **Patent No.: US D506,061 S**
(45) **Date of Patent: ** Jun. 14, 2005**

(54) **TACKLE BOX**

(76) **Inventor: Kevin G. McGibben**, P.O. Box 488,
Santa Cruz, CA (US) 95061

(**) **Term: 14 Years**

(21) **Appl. No.: 29/202,560**

(22) **Filed: Mar. 31, 2004**

(51) **LOC (8) Cl. 03-01**

(52) **U.S. Cl. D3/260; D3/281; D3/291;**
D3/905

(58) **Field of Search D3/254, 260, 273,**
D3/276, 281, 282, 291, 294, 295, 905;
206/349, 373, 372; 315/315.11; 190/110,
111, 112; 312/902

(56) **References Cited**

U.S. PATENT DOCUMENTS

D152,246 S	*	1/1949	Federico	D3/281
D178,950 S	*	10/1956	Berry	D3/284
3,410,018 A	*	11/1968	Woolworth	43/26
3,606,511 A	*	9/1971	Henning et al.	312/266
D315,247 S	*	3/1991	Lovell	D3/281
D352,393 S	*	11/1994	Fiore	D3/260
D361,659 S	*	8/1995	Kahl et al.	D3/260
D361,888 S	*	9/1995	Kahl et al.	D3/260

D388,251 S	*	12/1997	Smith	D3/291
5,938,023 A	*	8/1999	Herron et al.	206/315.11
D470,659 S	*	2/2003	Story et al.	D3/291
D471,710 S	*	3/2003	Rushworth	D3/276
D479,770 S	*	9/2003	Smith et al.	D3/260

OTHER PUBLICATIONS

Bass Pro Shops Catalog, 2004, p. 238, Plano Tackle Boxes.*

* cited by examiner

Primary Examiner—Philip S. Hyder

(74) *Attorney, Agent, or Firm*—Eppa Hite

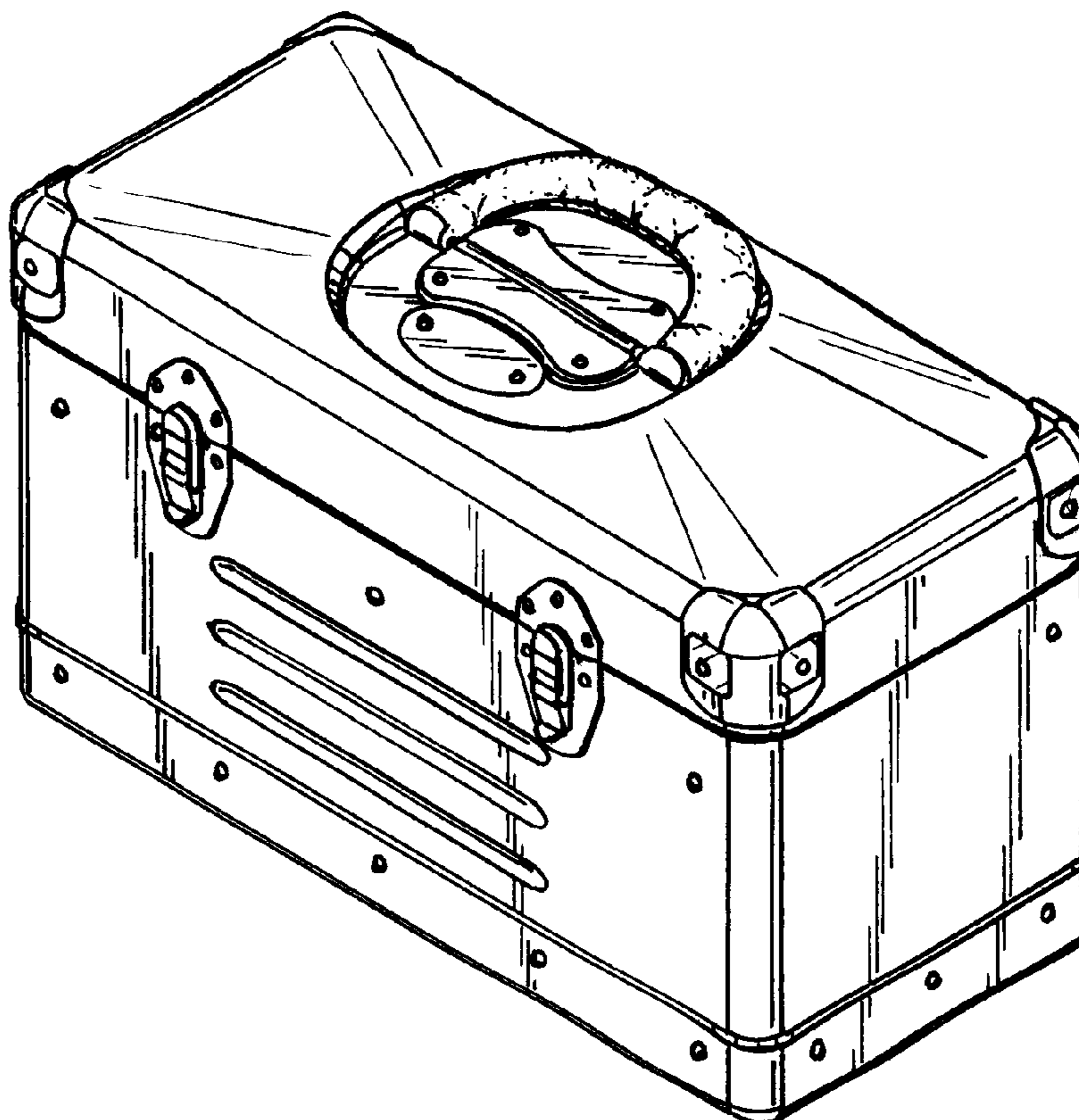
(57) **CLAIM**

The ornamental design for a tackle box, as shown and described.

DESCRIPTION

FIG. 1 is a perspective view thereof;
FIG. 2 is a top plan view thereof;
FIG. 3 is a front elevational view thereof;
FIG. 4 is a right side elevational view thereof;
FIG. 5 is a rear elevational view thereof;
FIG. 6 is a left side elevational view thereof; and,
FIG. 7 is a bottom plan view thereof.

1 Claim, 4 Drawing Sheets



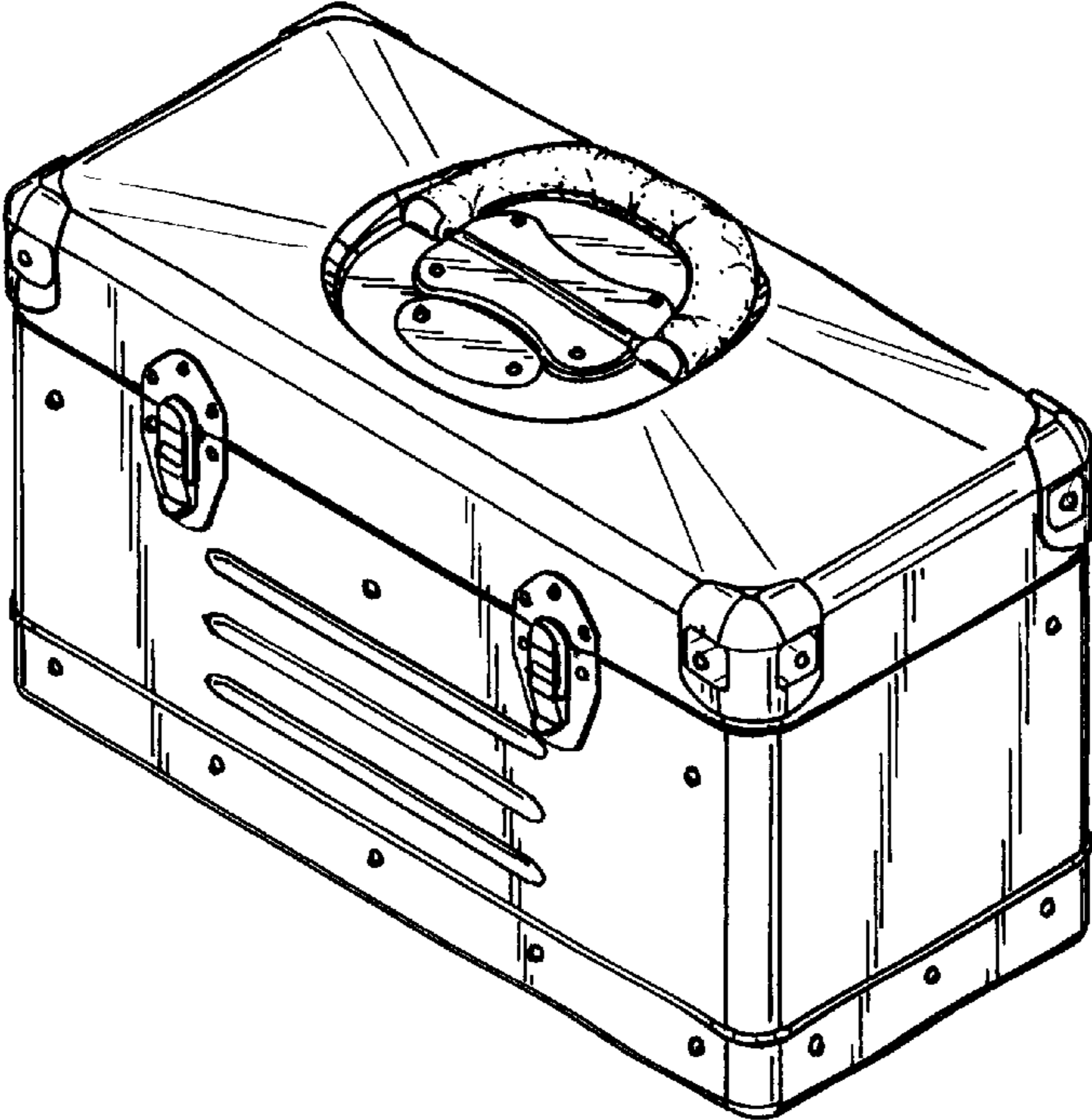


FIG. 1

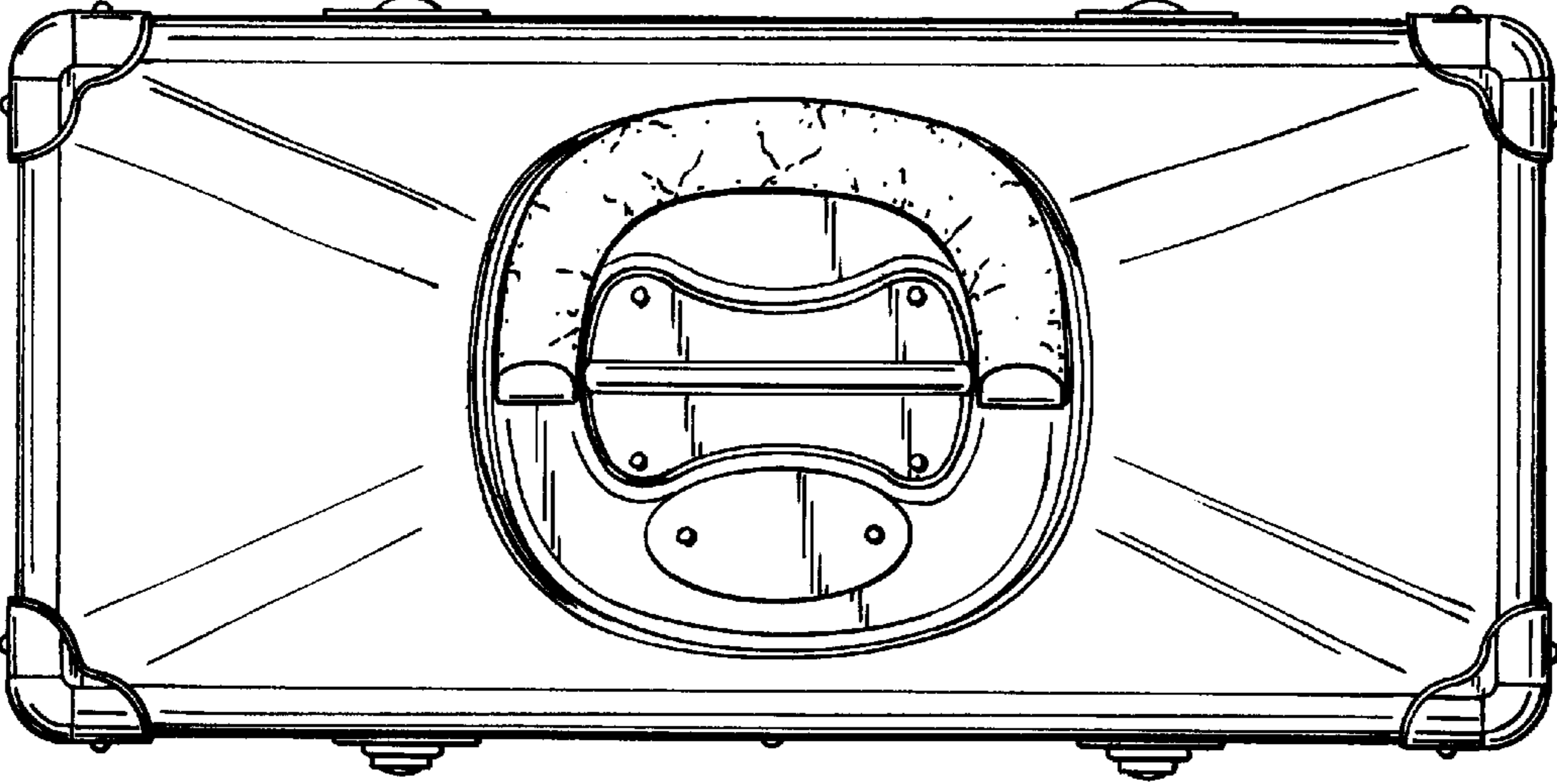


FIG. 2

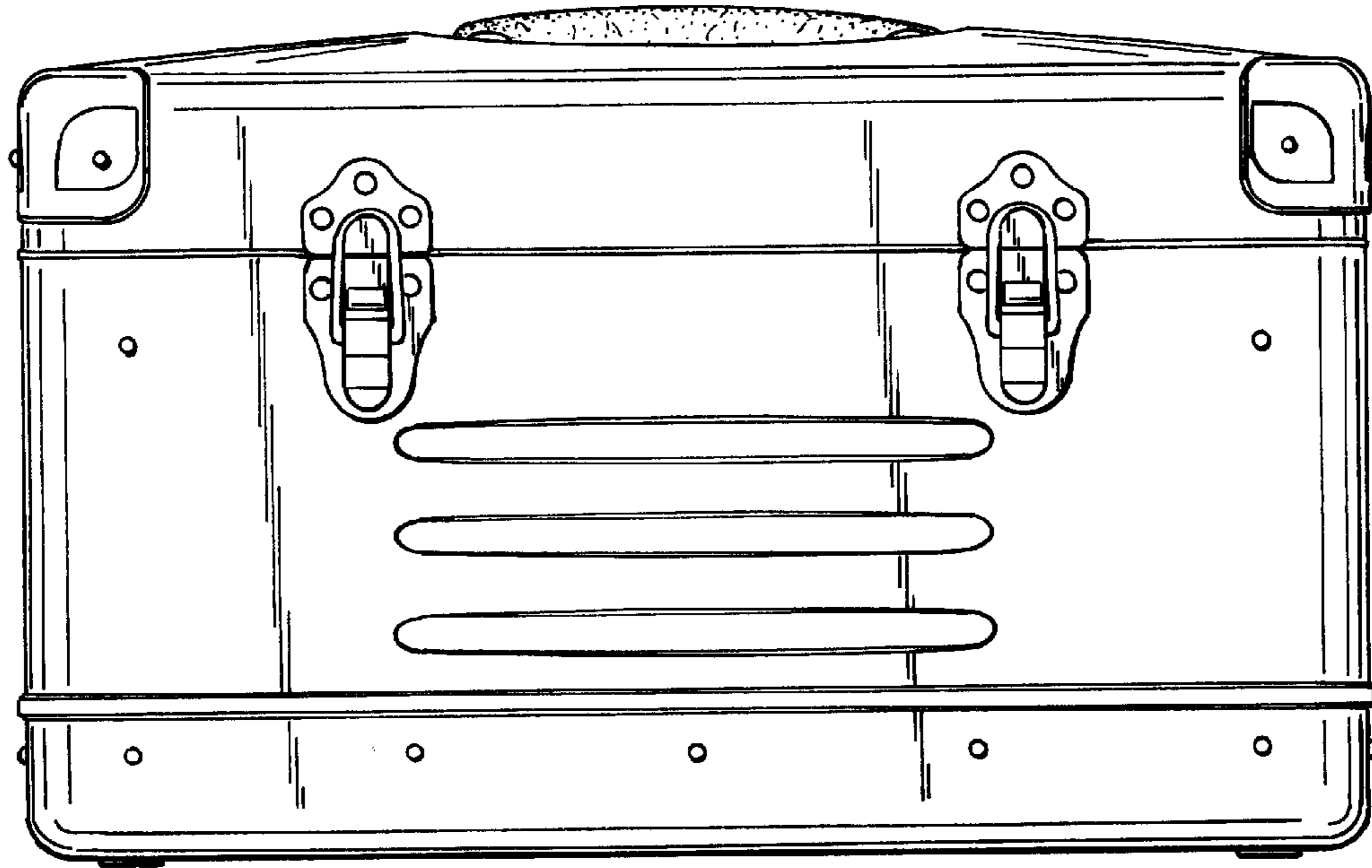


FIG. 3

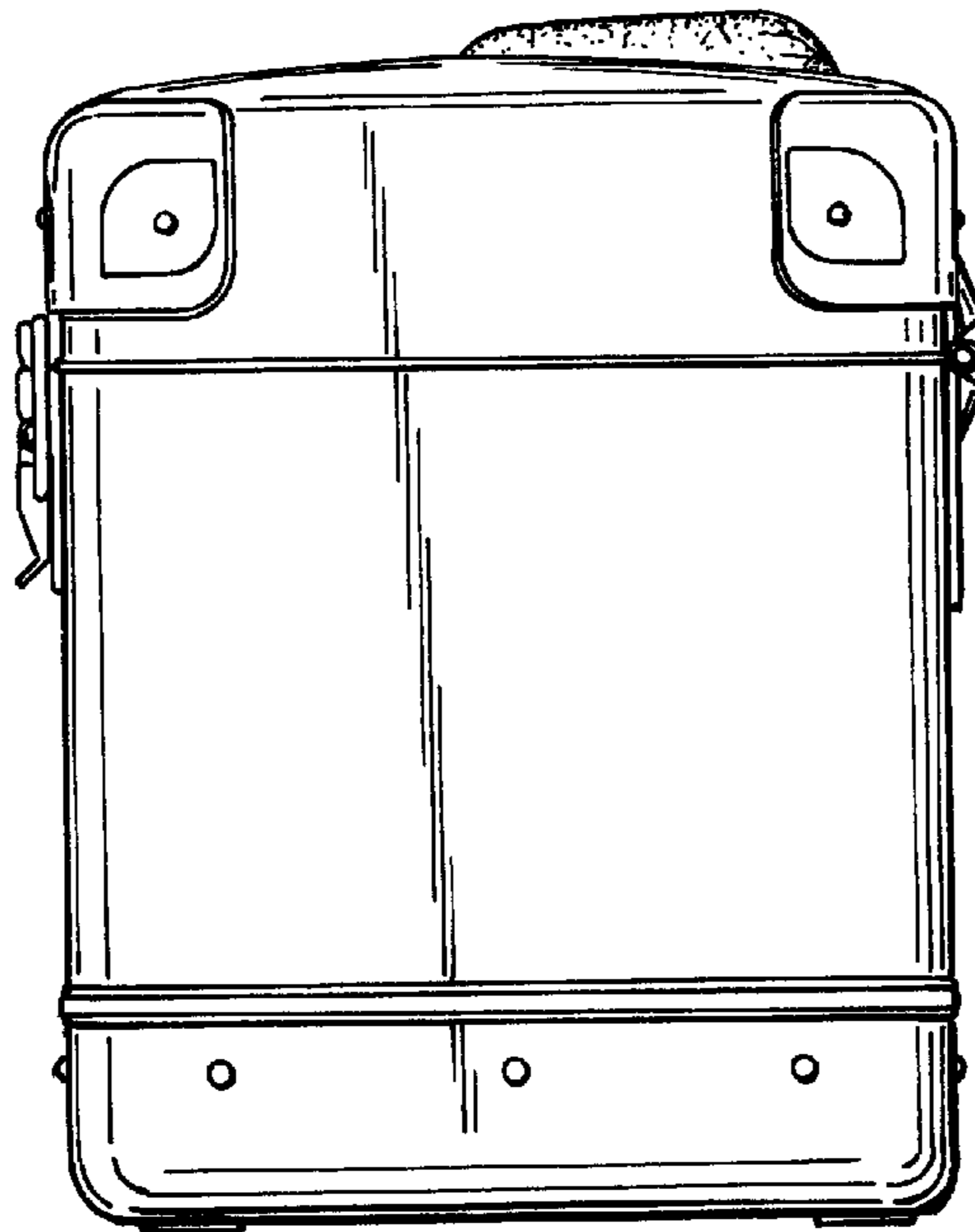


FIG. 4

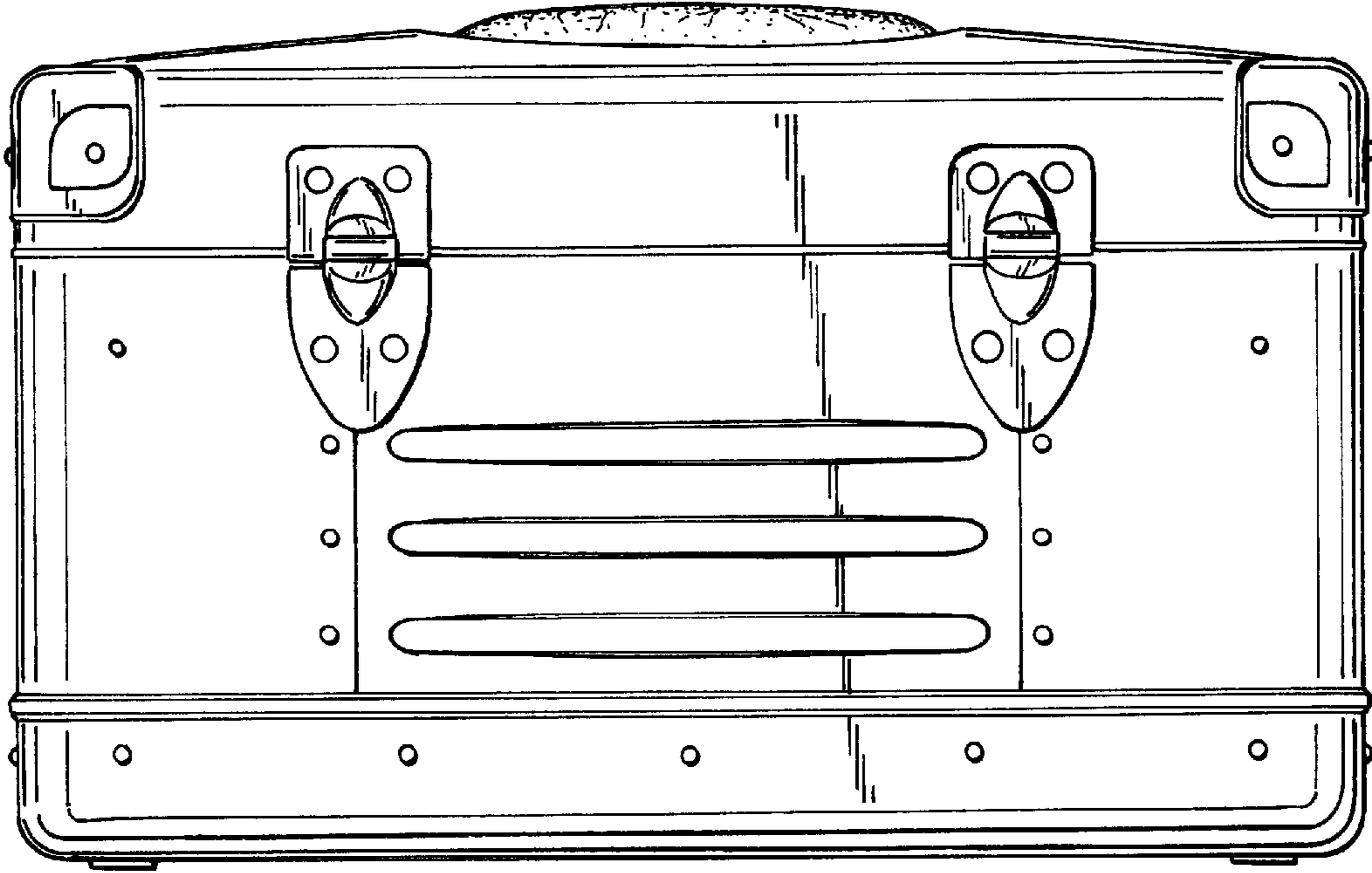


FIG. 5

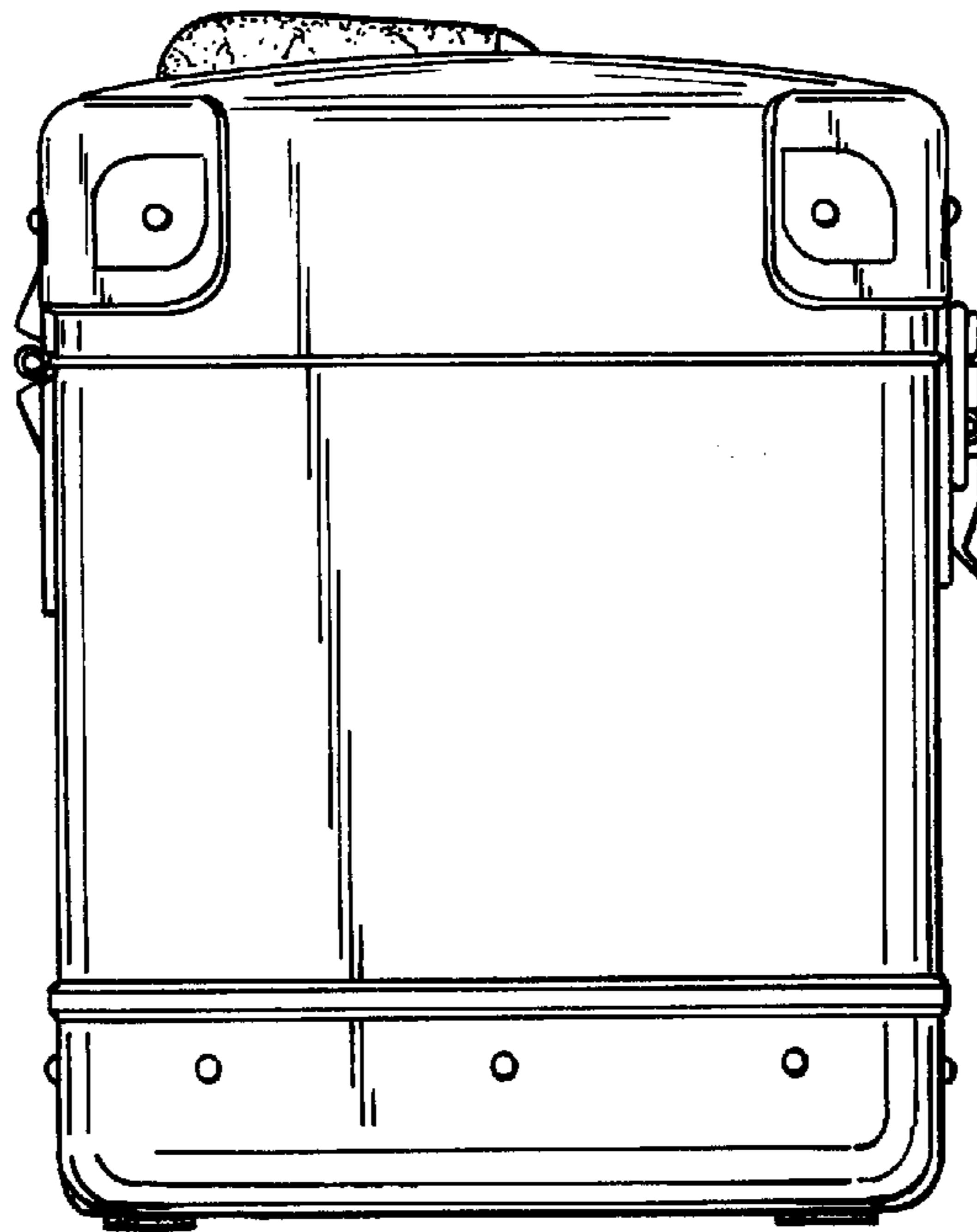


FIG. 6

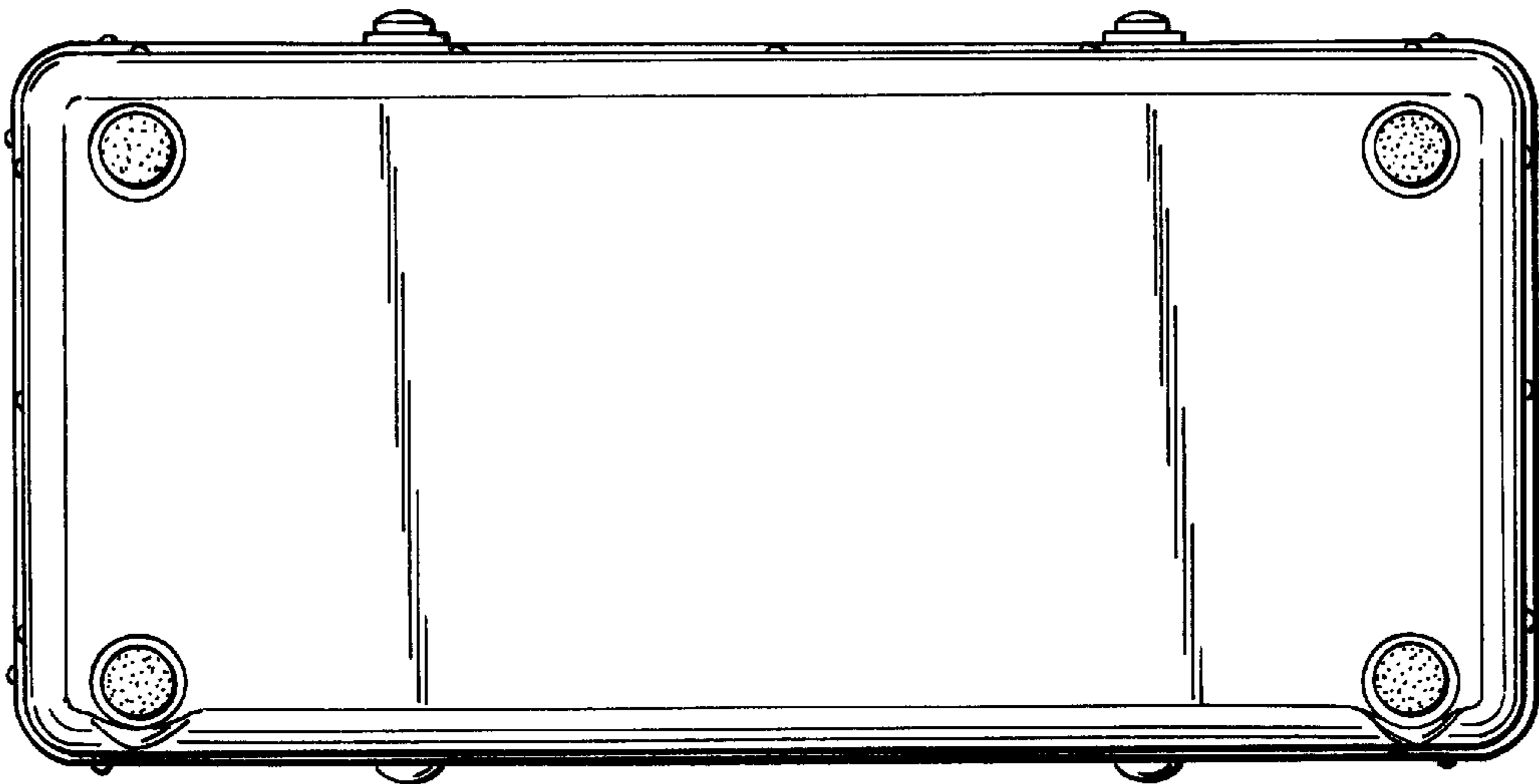


FIG. 7