

US00D506060S

(12) **United States Design Patent**
Achilles

(10) **Patent No.:** **US D506,060 S**
(45) **Date of Patent:** **** Jun. 14, 2005**

- (54) **SOFT-SIDED SHOPPING BAG**
- (76) **Inventor:** **Dieter Achilles**, Bahnhofstrasse 141,
D-63263 Neu-Isenburg (DE)
- (**) **Term:** **14 Years**

| | | |
|----|----------------|---------|
| DE | GM 79 18 907 | 10/1979 |
| DE | G 82 01 173.7 | 9/1982 |
| DE | GM 85 12 314.5 | 2/1986 |
| DE | 297 03 645 U1 | 9/1997 |
| EP | 0 308 039 A2 | 3/1989 |
| EP | 0 976 343 B1 | 2/2000 |

* cited by examiner

- (21) **Appl. No.:** **29/194,773**
- (22) **Filed:** **Dec. 1, 2003**

(30) **Foreign Application Priority Data**

May 30, 2003 (DE) 403 03 893

- (51) **LOC (8) Cl.** **03-01**
- (52) **U.S. Cl.** **D3/233**
- (58) **Field of Search** D3/232, 233, 234,
D3/237, 238, 243, 244, 245, 246, 303,
315; 150/100, 107, 110, 111, 112, 118,
900; 190/100, 106, 109, 115, 903; 383/70,
71, 72, 75, 76, 117

(56) **References Cited**

U.S. PATENT DOCUMENTS

| | | | | |
|-------------------|---------|-------------------|-------|---------|
| 1,556,352 A * | 10/1925 | Ritter | | 150/118 |
| 4,153,146 A * | 5/1979 | Patton et al. | | 190/903 |
| 4,560,096 A | 12/1985 | Lucas et al. | | |
| D334,839 S * | 4/1993 | Dancyger | | D3/246 |
| 5,988,879 A * | 11/1999 | Bredderman et al. | | 383/75 |
| 6,287,002 B1 * | 9/2001 | Sherman et al. | | 383/72 |
| 2004/0114836 A1 * | 6/2004 | LeClaire | | 383/72 |

FOREIGN PATENT DOCUMENTS

DE 28 10 025 7/1979

Primary Examiner—Louis S. Zarfaz
Assistant Examiner—Monica A. Weingart
(74) *Attorney, Agent, or Firm*—Dority & Manning, P.A.

(57) **CLAIM**

The ornamental design for a soft-sided shopping bag, as shown and described.

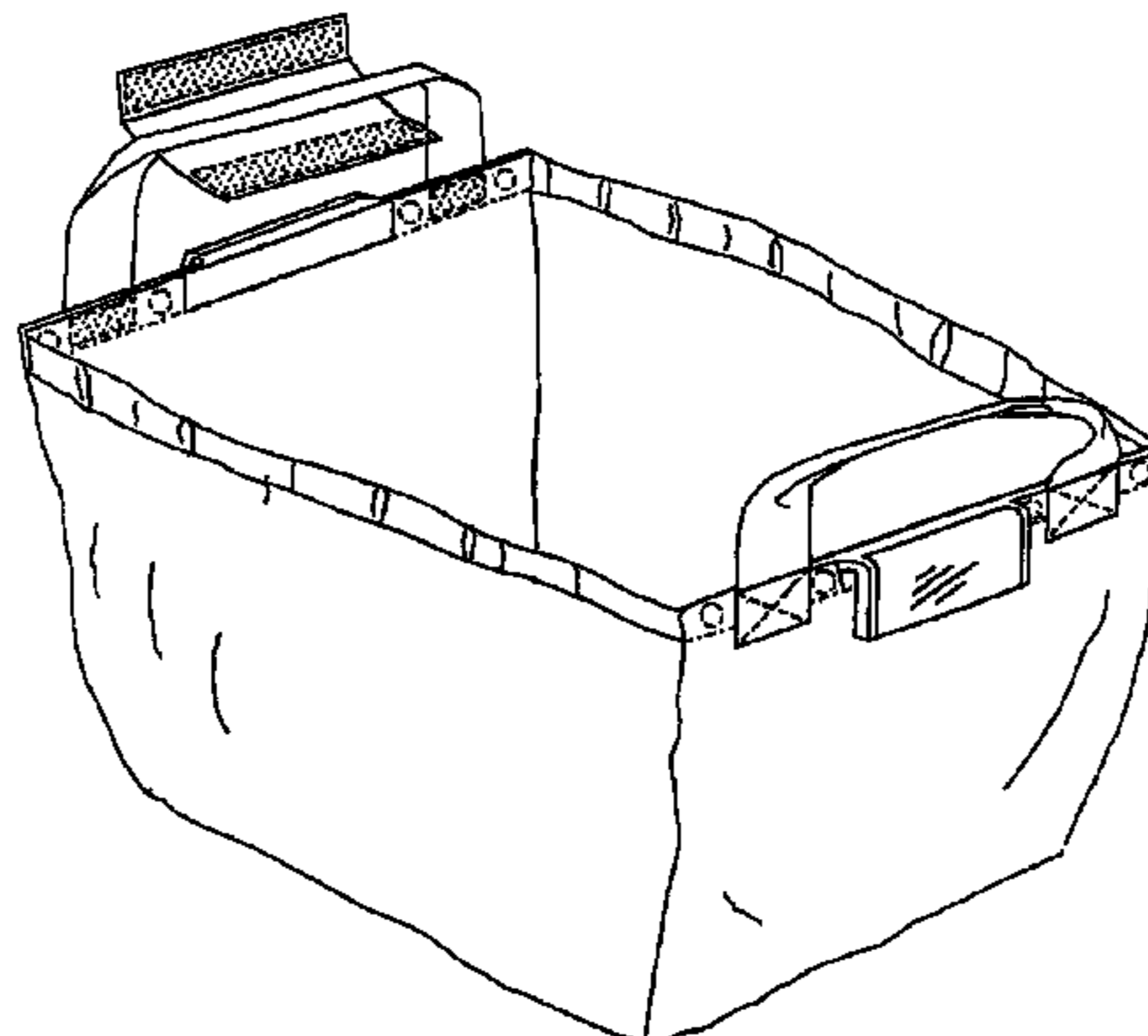
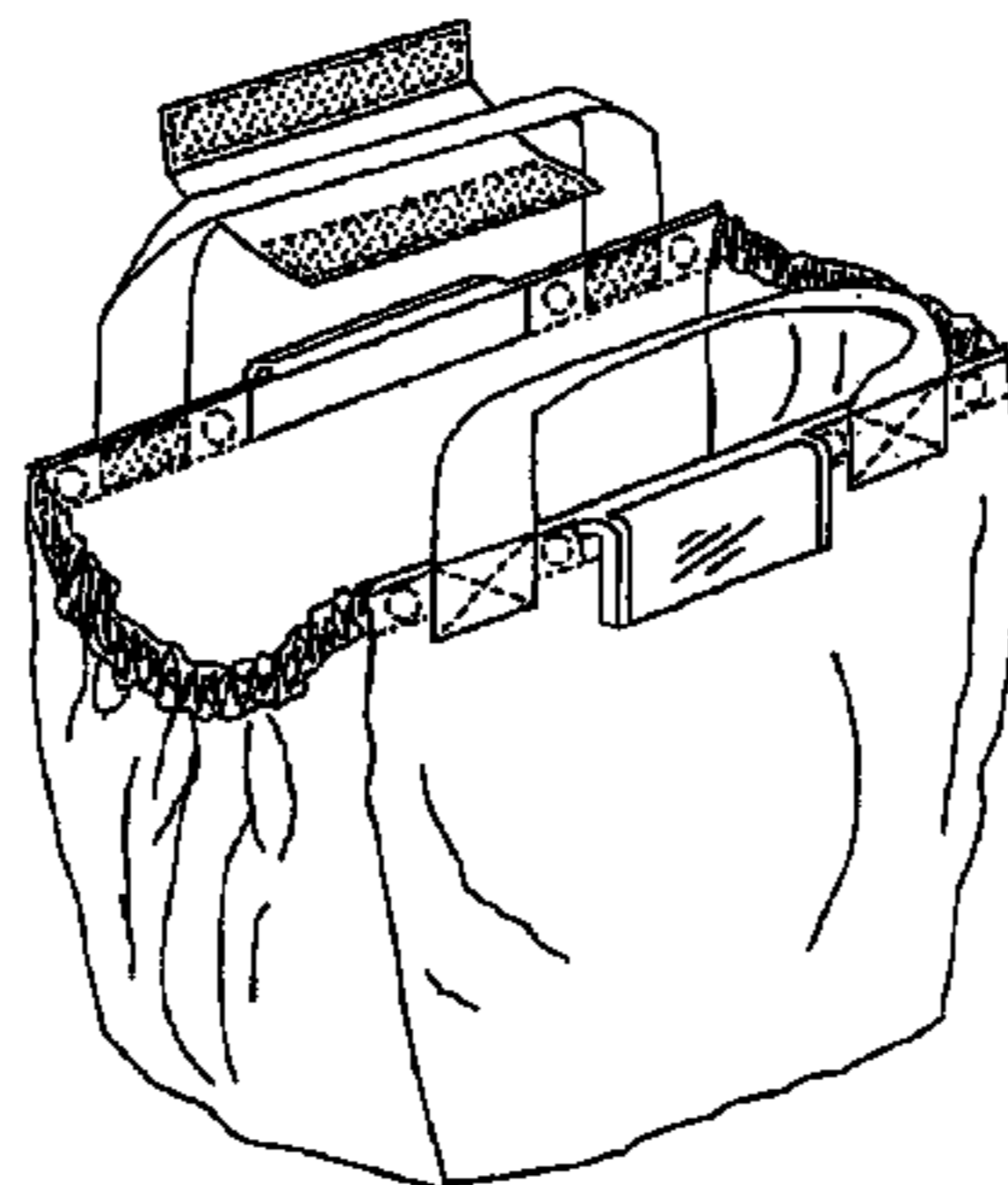
DESCRIPTION

FIG. 1 is a perspective view of the soft-sided shopping bag from above the bag, showing the front and left side, the back and right side being respective mirror images of the front and left side and the interior and exterior surfaces of each of the walls defining the front, back and sides being the same; and,

FIG. 2 is another perspective view of the bag of FIG. 1 from above the bag with the elastic sides expanded to their fullest extent, showing the front and left side, the back and right side being respective mirror images of the front and left side.

The broken line showing, in the views, is for illustrative purposes only and forms no part of the claimed design.

1 Claim, 2 Drawing Sheets



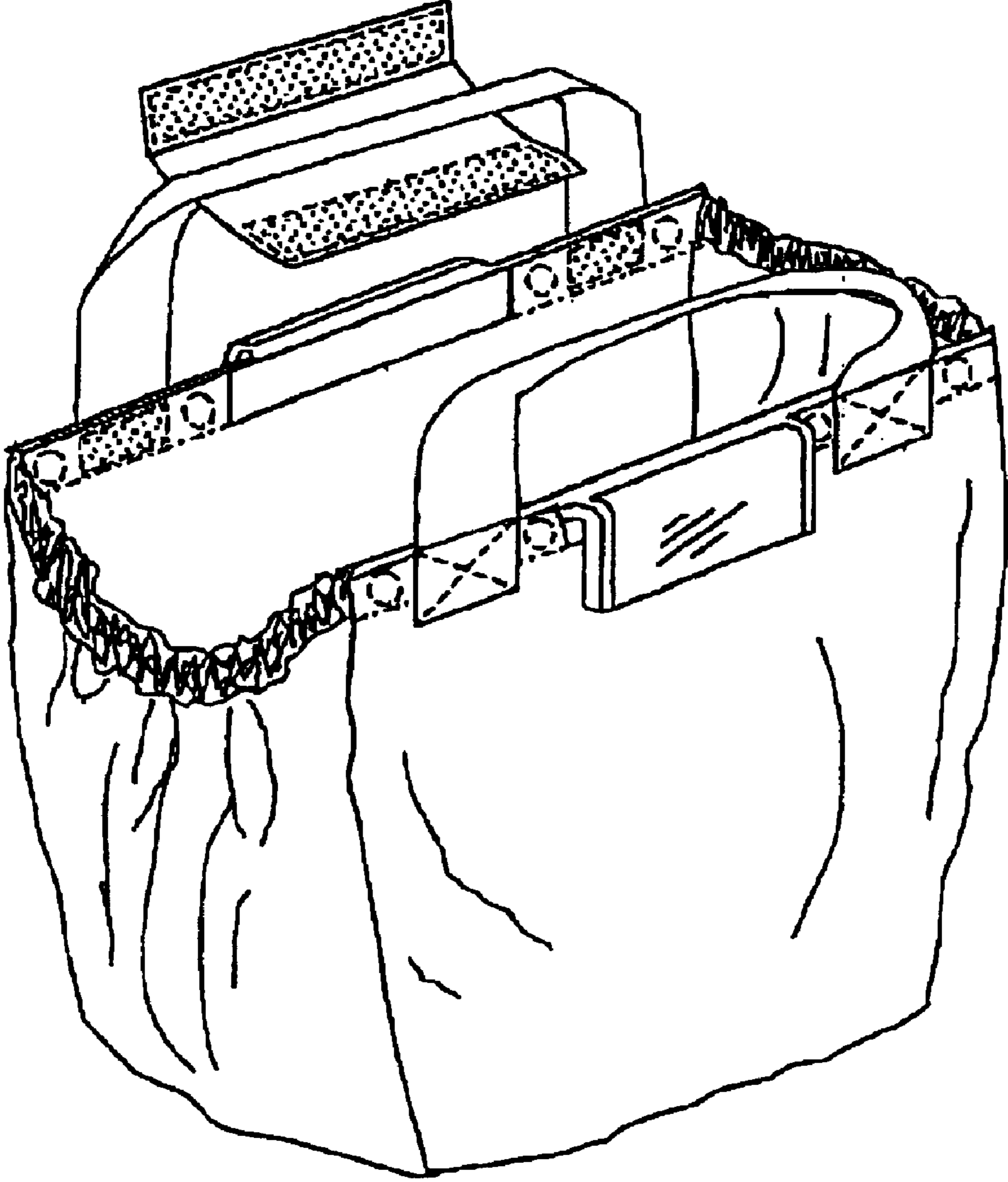


FIG. 1

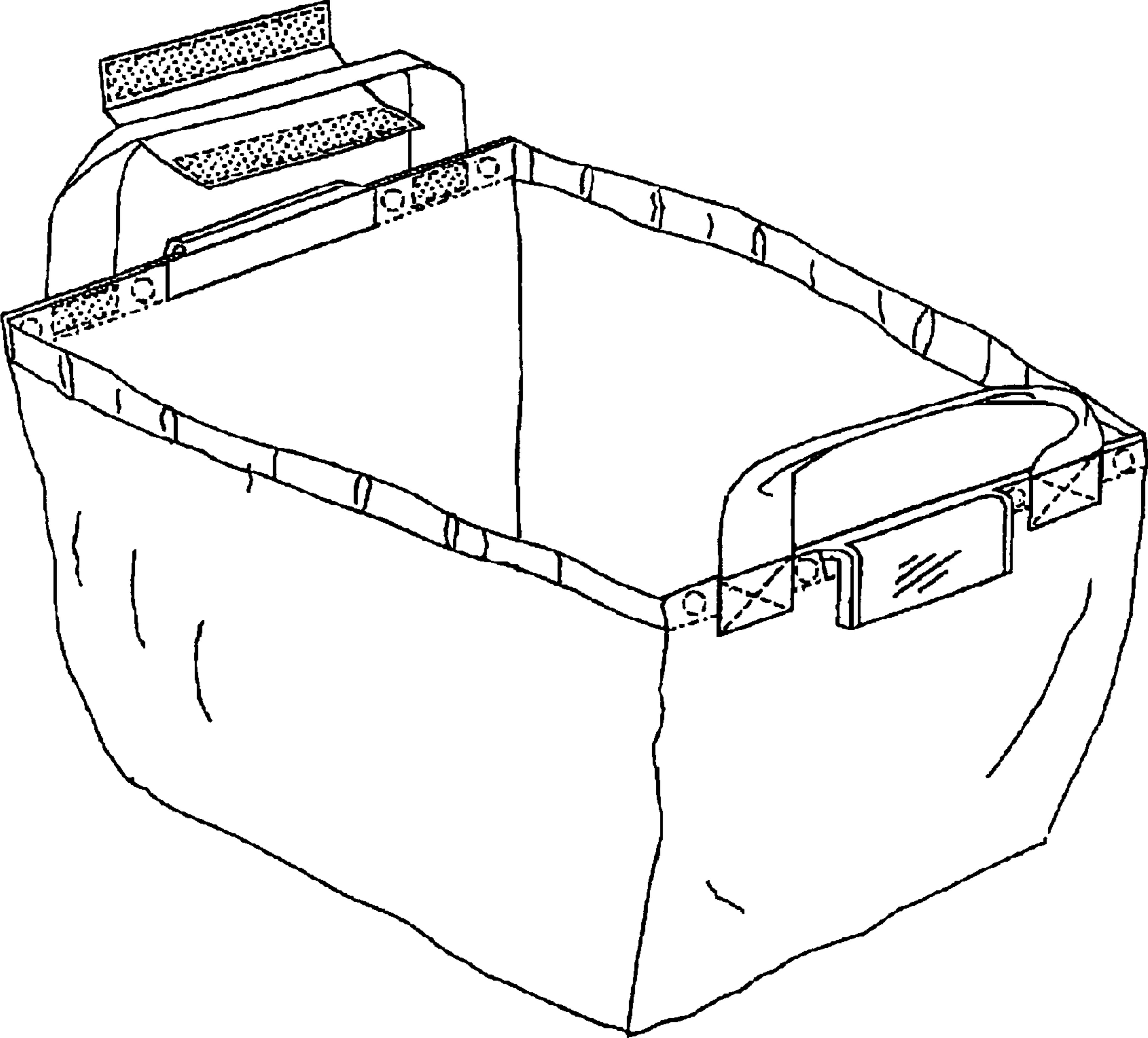


FIG. 2