



US00D506059S

(12) **United States Design Patent**  
**Goldberg**

(10) **Patent No.:** **US D506,059 S**  
(45) **Date of Patent:** **\*\* Jun. 14, 2005**

(54) **GARTER PURSE**

*Primary Examiner*—Catherine R. Oliver

(75) Inventor: **Brandy Isadora Goldberg**, Paradise Valley, AZ (US)

(57) **CLAIM**

The ornamental design for a garter purse, as shown and described.

(73) Assignee: **Bisadora, LLC**, Phoenix, AZ (US)

(\*\*) Term: **14 Years**

**DESCRIPTION**

(21) Appl. No.: **29/205,757**

FIG. 1 is a perspective view of a garter purse showing my new design.

(22) Filed: **May 19, 2004**

(51) **LOC (8) Cl.** ..... **03-01**

FIG. 2 is a left side view of a garter purse showing my new design.

(52) **U.S. Cl.** ..... **D3/226**

(58) **Field of Search** ..... D3/215, 224–226;  
D2/627, 631, 639, 625, 612; 224/219, 222,  
236, 240, 269; 2/170, 240–241

FIG. 3 is a right side view of a garter purse showing my new design.

(56) **References Cited**

FIG. 4 is a top view of a garter purse showing my new design.

**U.S. PATENT DOCUMENTS**

FIG. 5 is a bottom view of a garter purse showing my new design.

D351,060 S	*	10/1994	Randazzo	.....	D3/218
D360,073 S	*	7/1995	Schrader et al.	.....	D3/226
5,794,769 A	*	8/1998	Tomlinson et al.	.....	224/222
D397,838 S	*	9/1998	Waggoner et al.	.....	D2/629
D418,973 S	*	1/2000	Epstein	.....	D3/218
D459,875 S	*	7/2002	Mack et al.	.....	D3/226
D469,249 S	*	1/2003	Cain	.....	D3/215

FIG. 6 is a front view of a garter purse showing my new design.

**OTHER PUBLICATIONS**

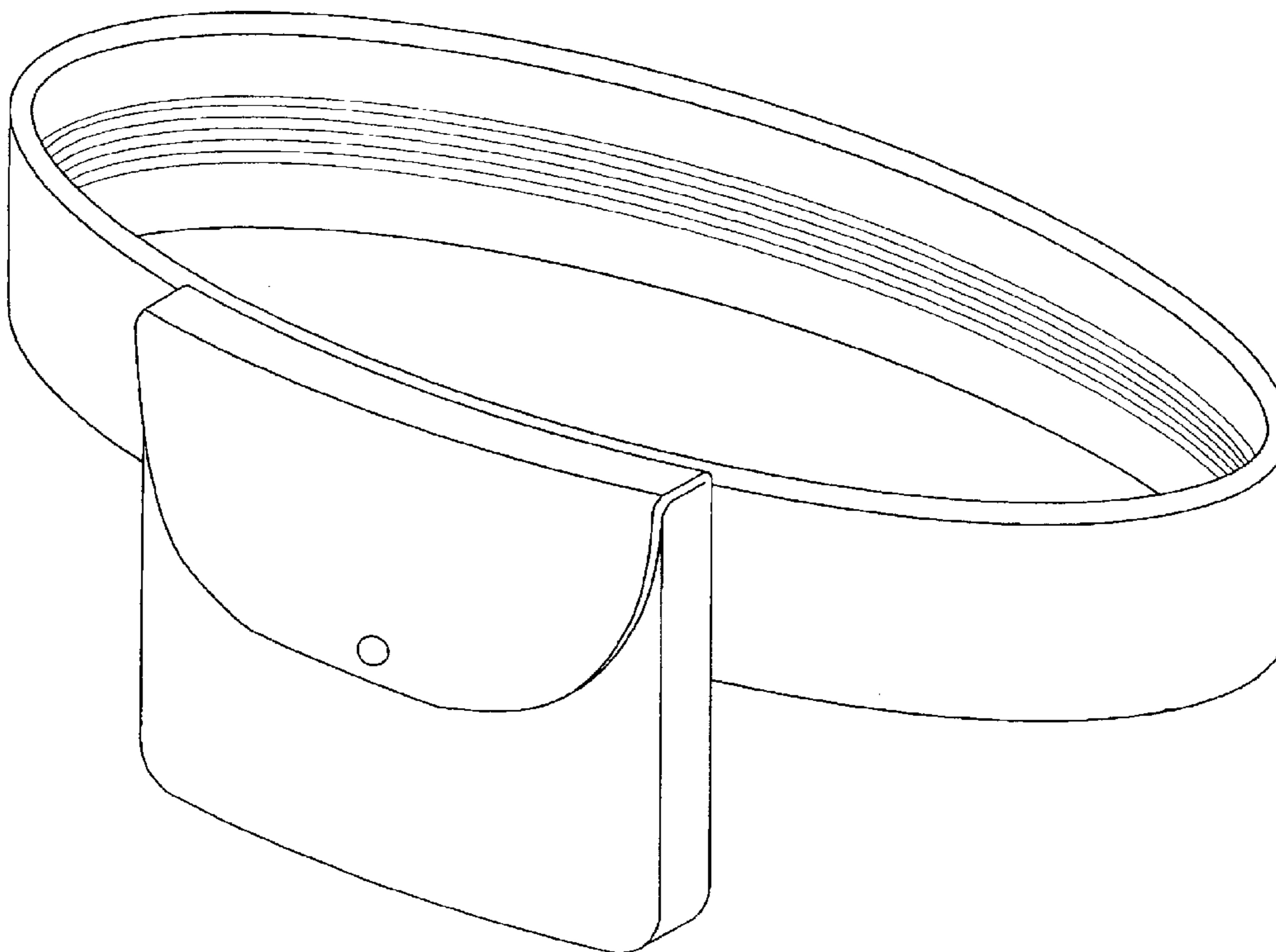
FIG. 7 is a rear view of a garter purse showing my new design; and,

Web Page published in 2002.  
Benefit Cosmetics—Chickster.

FIG. 8 is a perspective view of a garter purse showing my new design.

\* cited by examiner

**1 Claim, 8 Drawing Sheets**



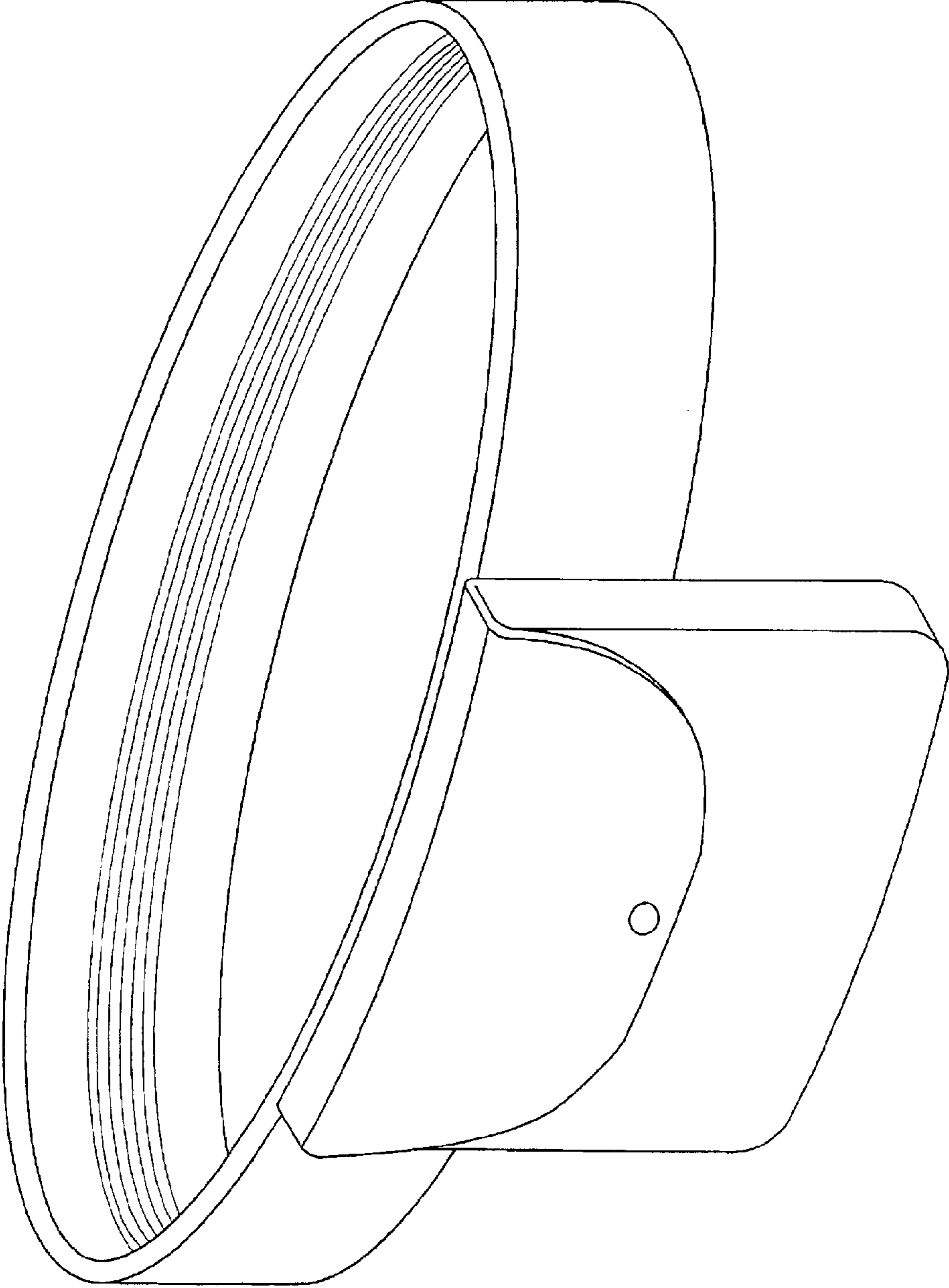


FIG. 1

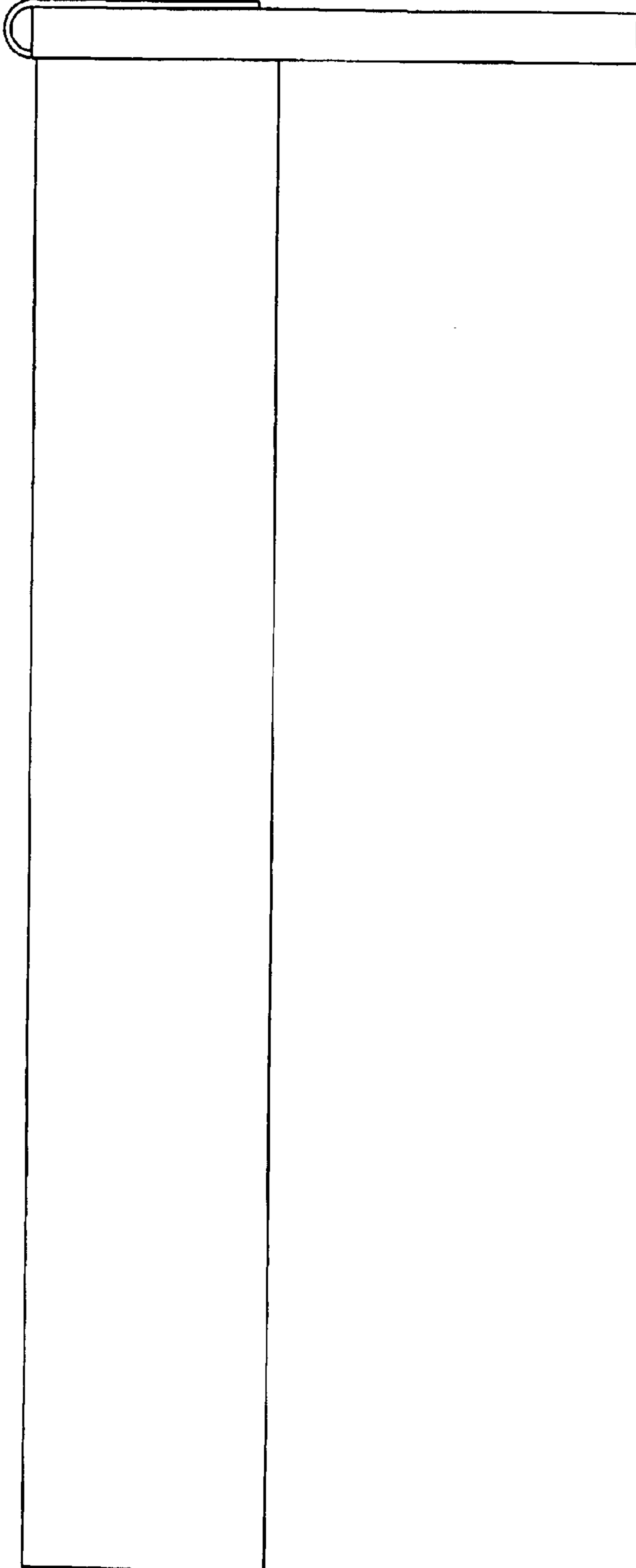


FIG. 2

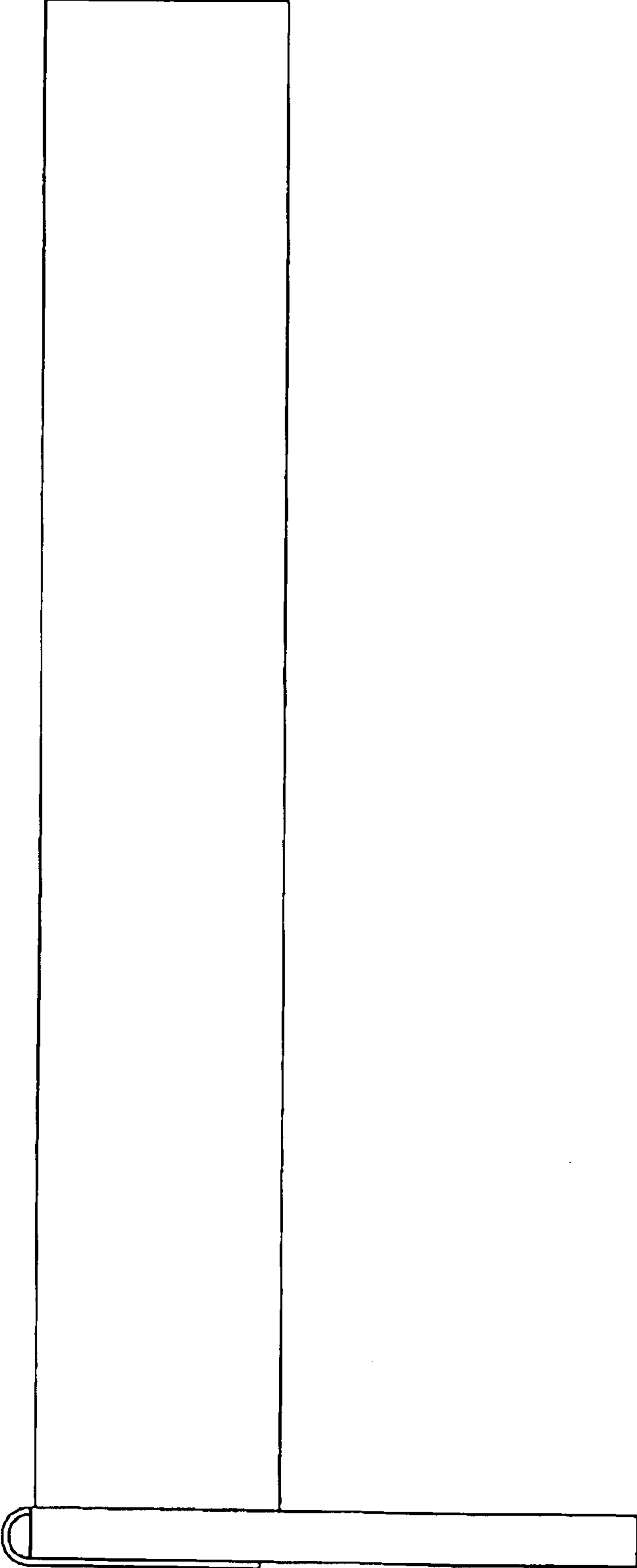


FIG. 3

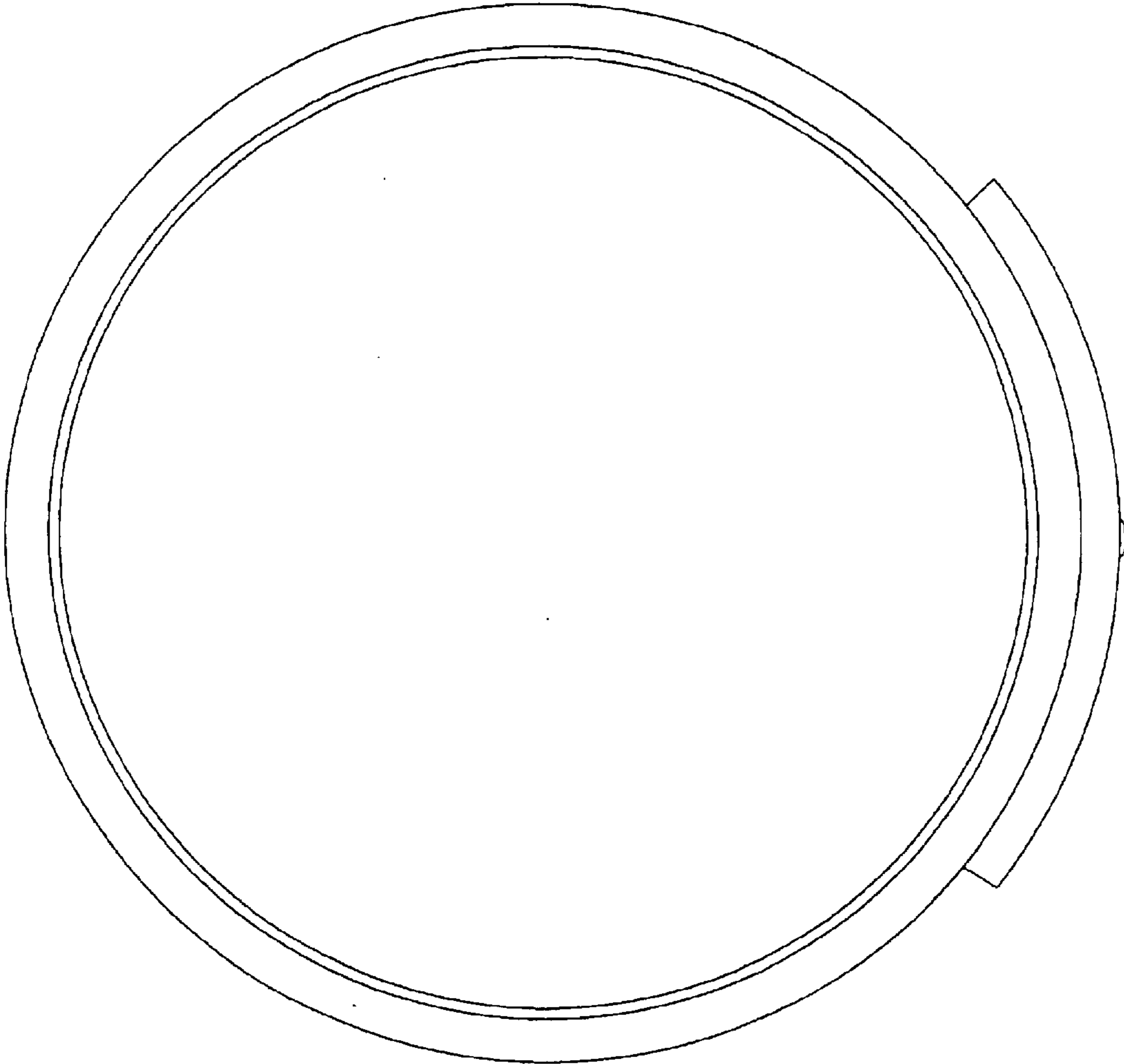


FIG. 4

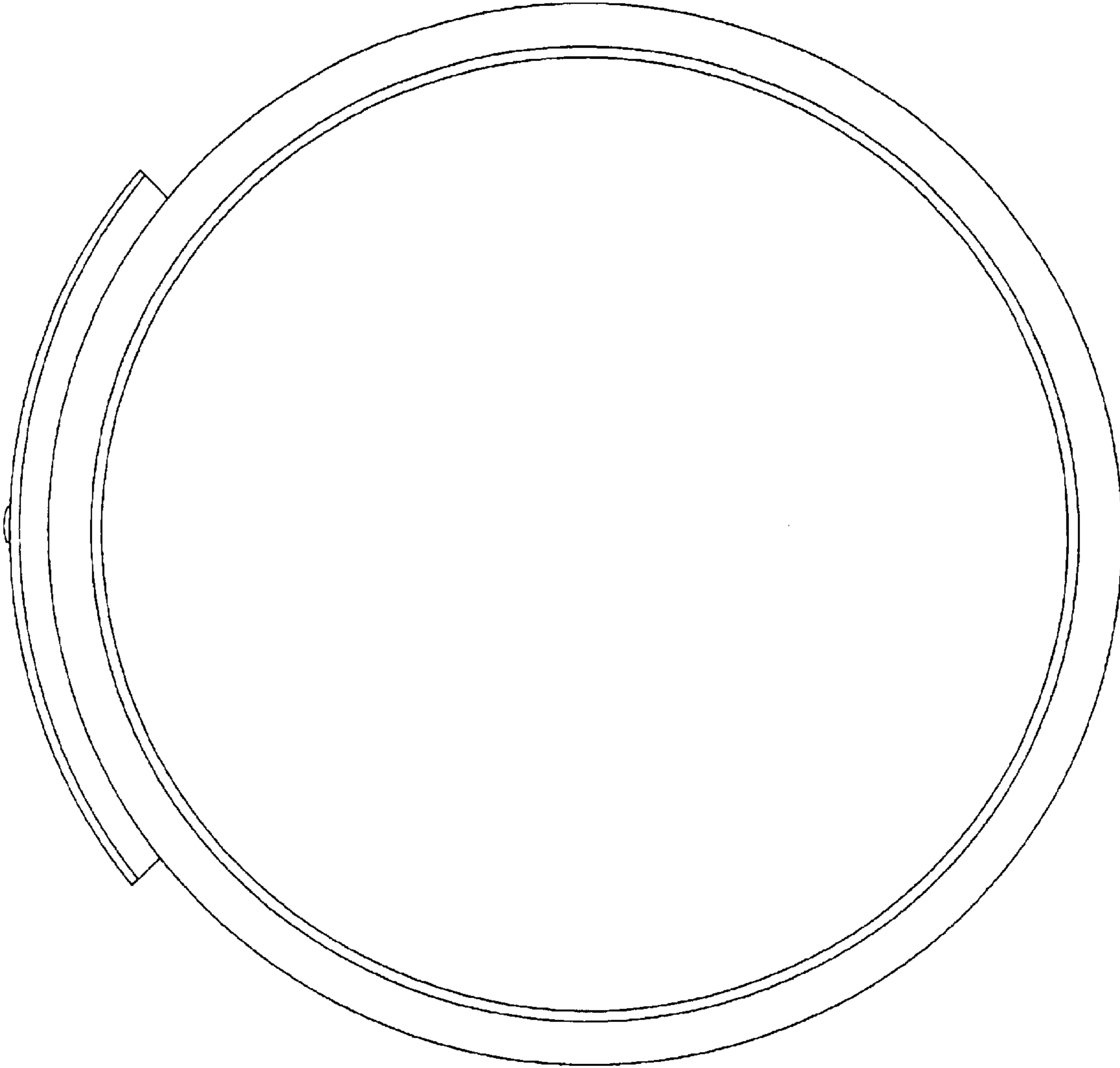


FIG. 5

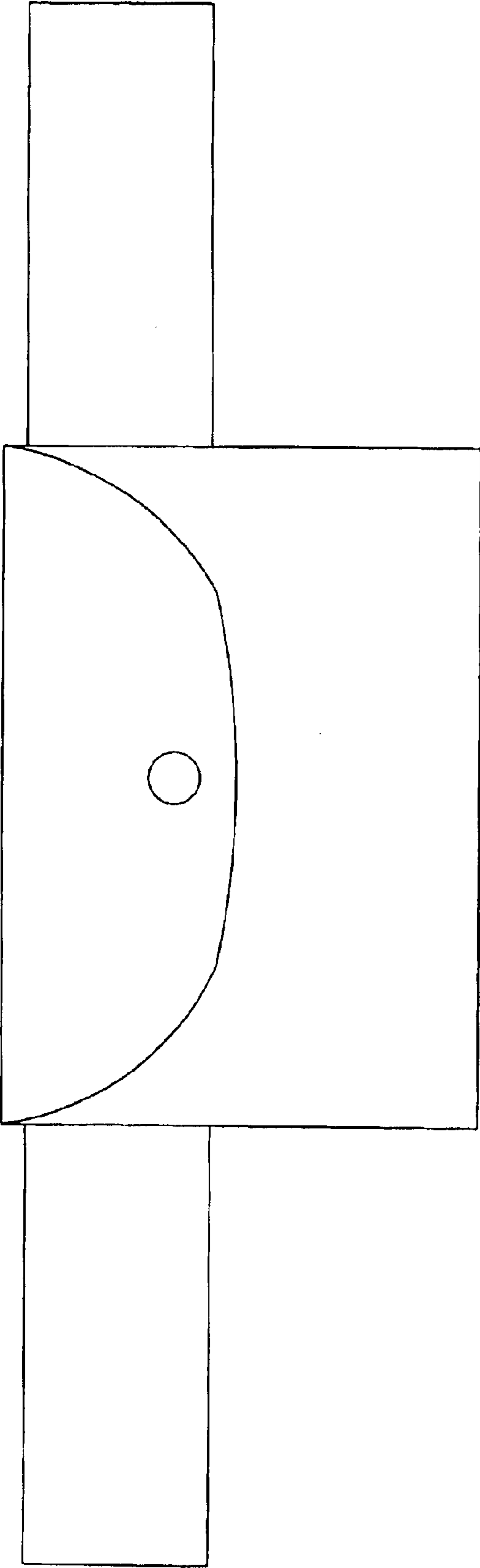


FIG. 6

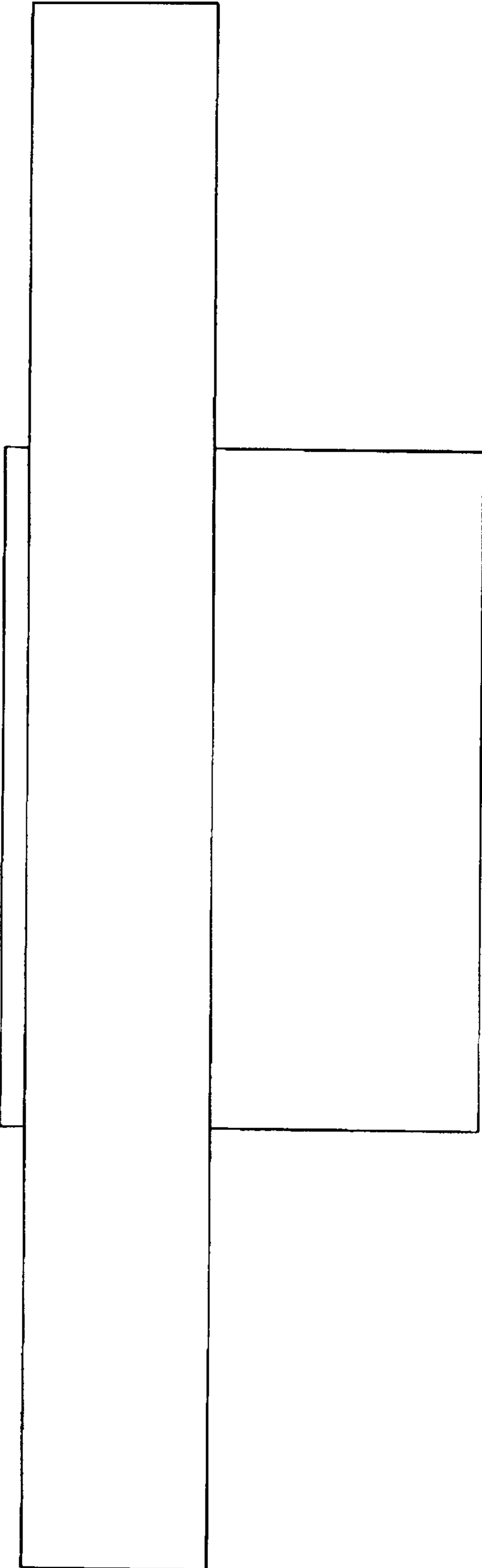


FIG. 7



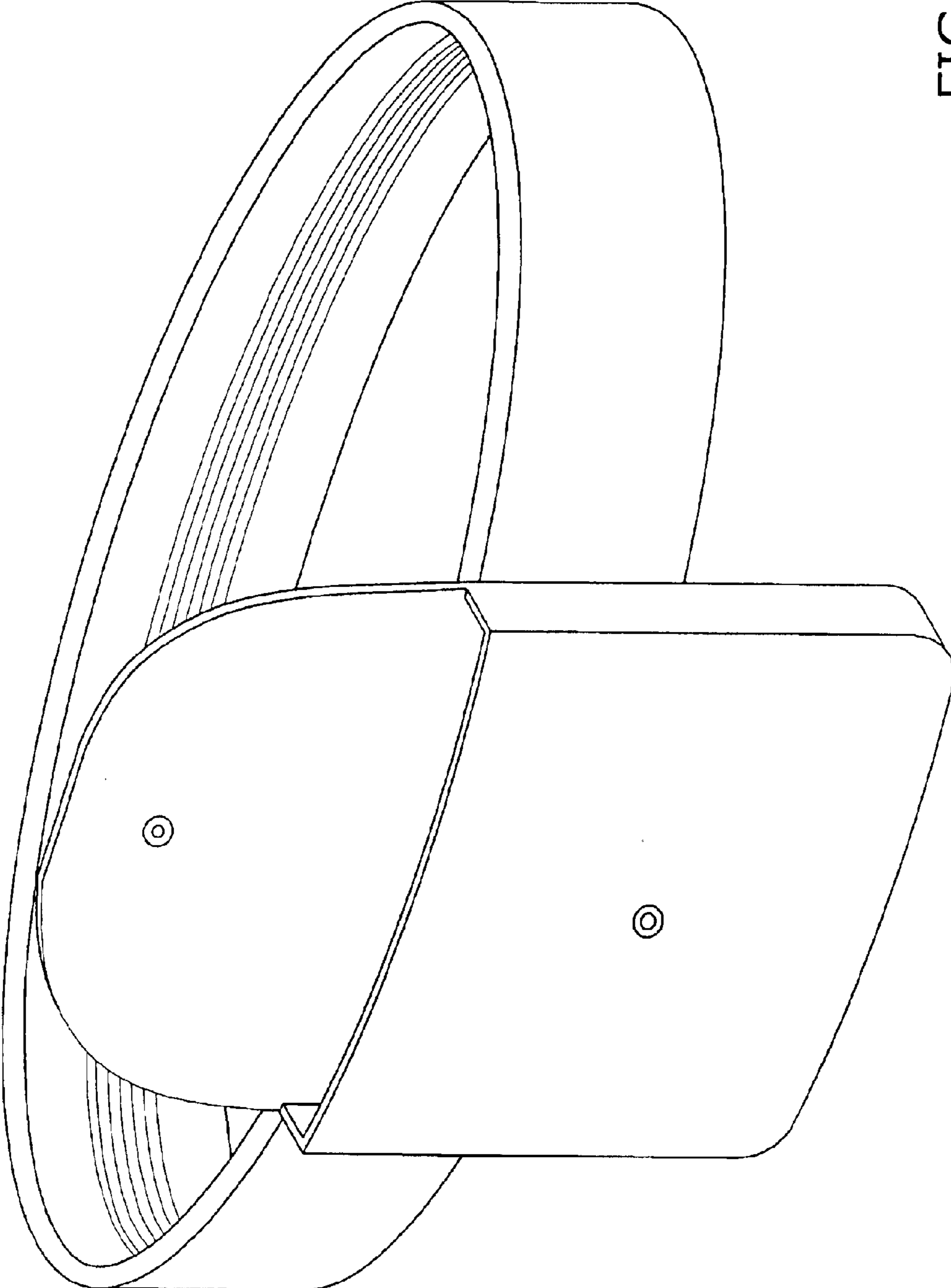


FIG. 8