

US00D506058S

(12) **United States Design Patent**
Sexson

(10) **Patent No.:** **US D506,058 S**
(45) **Date of Patent:** **** Jun. 14, 2005**

(54) **BUCKLED CELL PHONE HOLDER**

(76) Inventor: **Sharon E. Sexson**, 11015 S. Urbana Ave., Tulsa, OK (US) 74137

(**) Term: **14 Years**

(21) Appl. No.: **29/203,048**

(22) Filed: **Apr. 8, 2004**

(51) **LOC (8) Cl.** **03-01**

(52) **U.S. Cl.** **D3/218**

(58) **Field of Search** D3/218, 215; 224/219, 224/222, 267, 165, 221, 930; D10/30-33; 40/665

(56) **References Cited**

U.S. PATENT DOCUMENTS

5,092,067 A *	3/1992	Prout	224/219
5,511,702 A *	4/1996	Yang	224/219
2003/0019894 A1 *	1/2003	Caldana	224/165
2004/0094584 A1 *	5/2004	Tabata	224/221

* cited by examiner

Primary Examiner—Catherine R. Oliver

(74) *Attorney, Agent, or Firm*—Gable & Gotwals; Paul H. Johnson

(57) **CLAIM**

The ornamental design for a buckled cell phone holder, as shown and described.

DESCRIPTION

FIG. 1 is a side elevational view of the buckled cell phone holder showing my new design, the opposite side being a mirror image thereof;

FIG. 2 is a top plan view of my design.

FIG. 3 is a bottom plan view of my design.

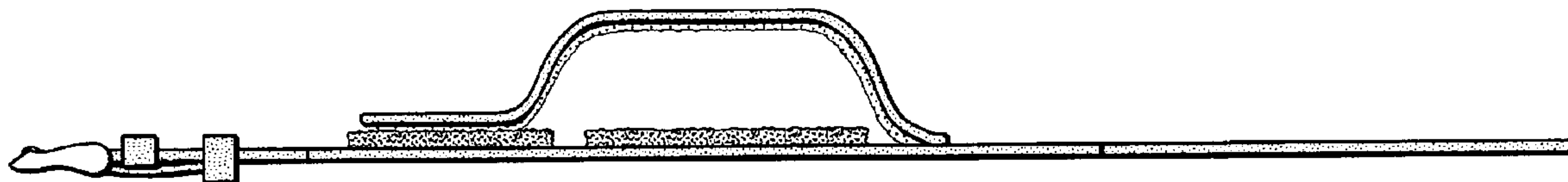
FIG. 4 is a rear elevation view of my design.

FIG. 5 is front elevation view of my design; and,

FIG. 6 is a perspective view of my design shown in use.

The broken line showing of environment in the drawings is for illustrative purposes only and forms no part of the claimed design.

1 Claim, 2 Drawing Sheets



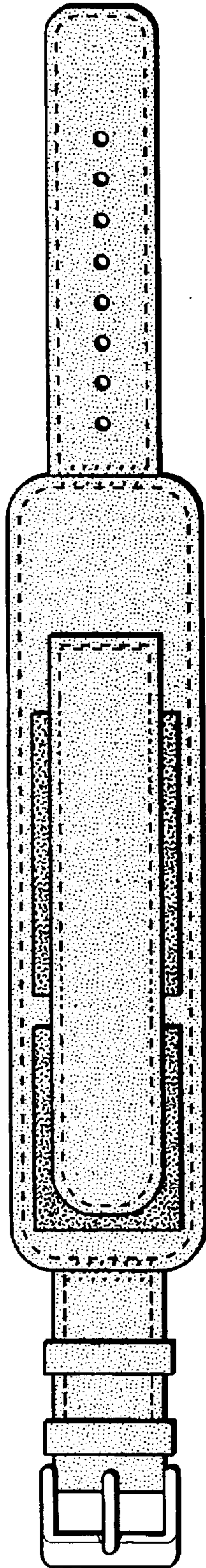


Fig. 2

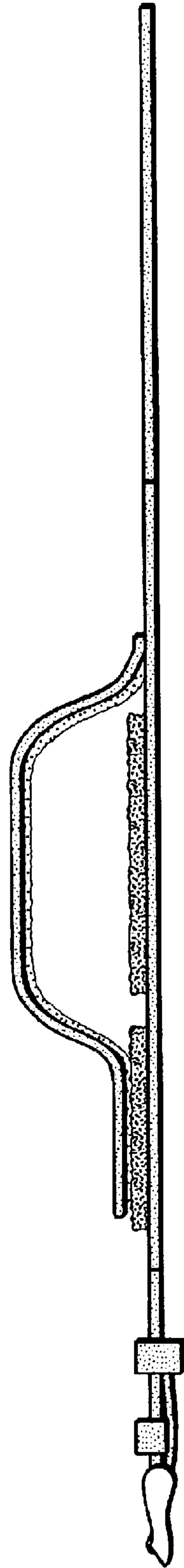


Fig. 1

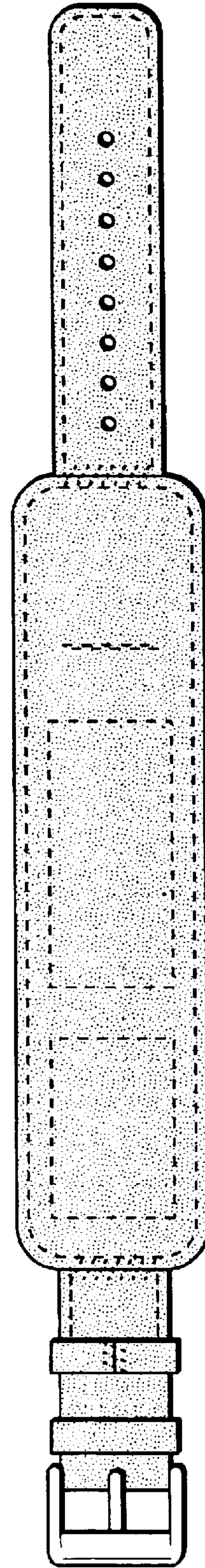


Fig. 3

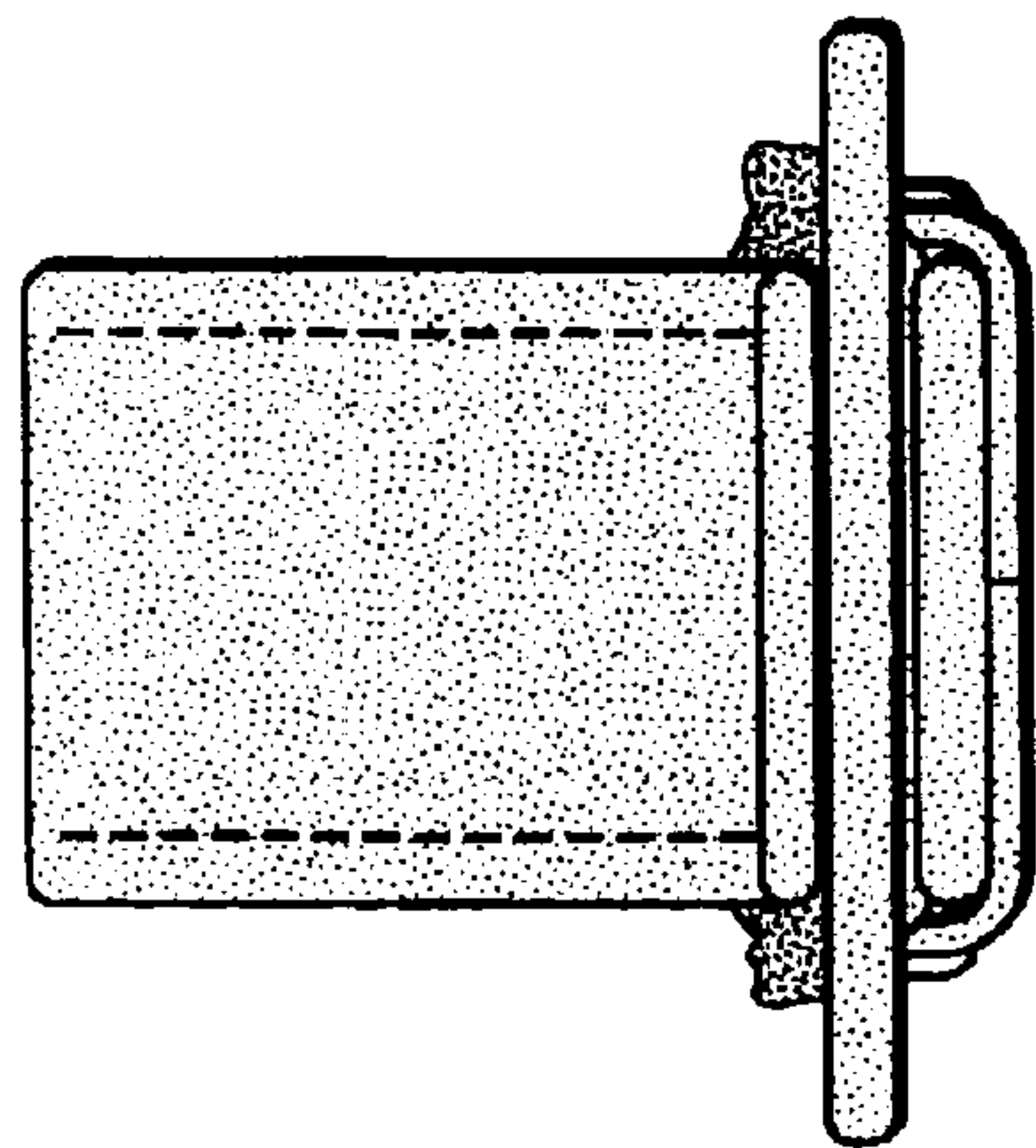


Fig. 4

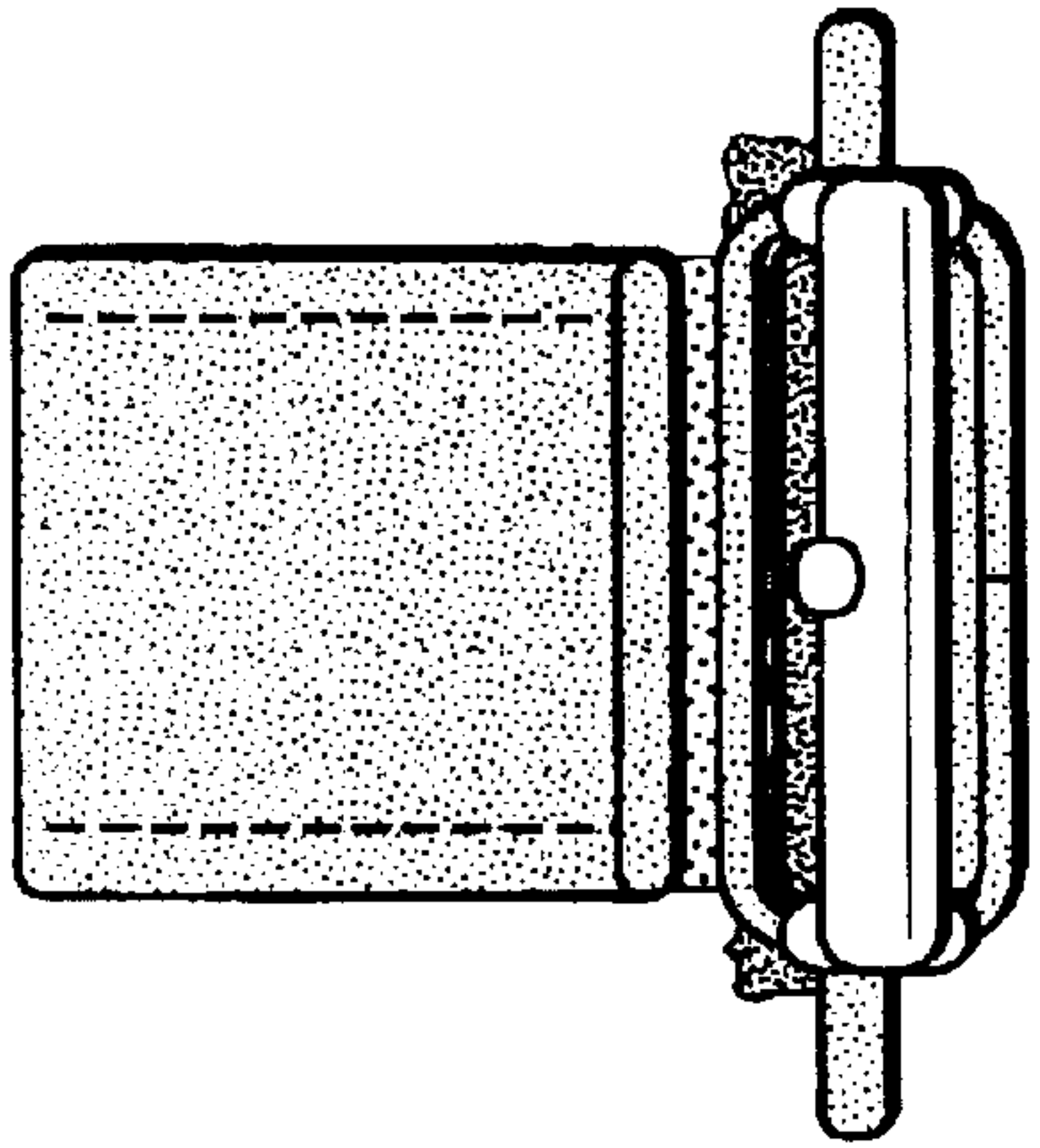


Fig. 5

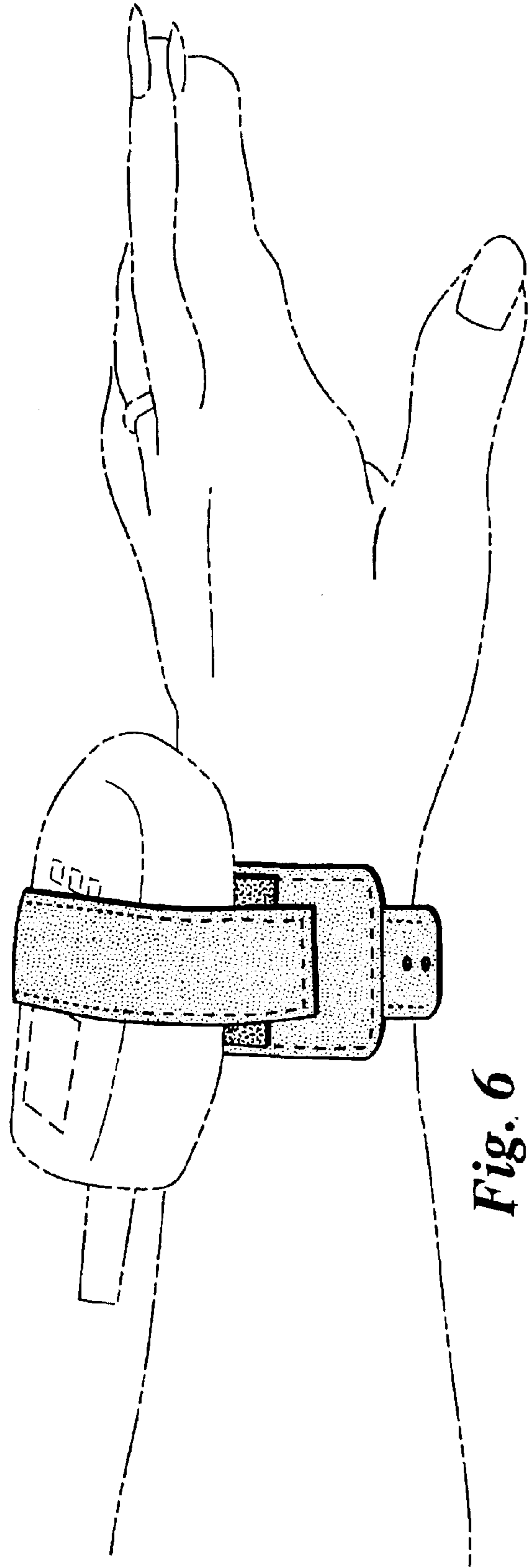


Fig. 6