

US00D506049S

(12) **United States Design Patent**  
**Santiago et al.**

(10) **Patent No.:** **US D506,049 S**  
(45) **Date of Patent:** **\*\* Jun. 7, 2005**

(54) **BARE FLOOR CLEANER BASE**  
(75) Inventors: **Jose Carlito Santiago**, Grand Rapids, MI (US); **Kevin T. Downey**, Grand Rapids, MI (US)  
(73) Assignee: **Bissell Homecare, Inc.**, Grand Rapids, MI (US)  
(\*\*) Term: **14 Years**

D371,875 S 7/1996 Parker et al.  
D391,708 S 3/1998 Canavan et al.  
D416,115 S \* 11/1999 Rohn et al. .... D32/32  
D425,273 S \* 5/2000 Stephens et al. .... D32/32  
D440,019 S \* 4/2001 Mehaffey et al. .... D32/32  
D455,242 S \* 4/2002 Dyson et al. .... D32/33  
D456,965 S \* 5/2002 Paterson et al. .... D32/32  
D473,687 S \* 4/2003 Kaffenberger .... D32/33

\* cited by examiner

*Primary Examiner*—Ruth McInroy  
(74) *Attorney, Agent, or Firm*—McGarry Bair PC

(21) Appl. No.: **29/201,758**  
(22) Filed: **Mar. 19, 2004**

(57) **CLAIM**

(51) **LOC (8) Cl.** ..... **15-05**  
(52) **U.S. Cl.** ..... **D32/32**  
(58) **Field of Search** ..... D32/17-18, 31-34,  
D32/21-22, 38-39; D30/158; 15/415.1-422.1,  
322, 329, 350, 352, 361, 375, 387, 396,  
400, 410, 412, 414, 41.1

The ornamental design for a bare floor cleaner base, as shown and described.

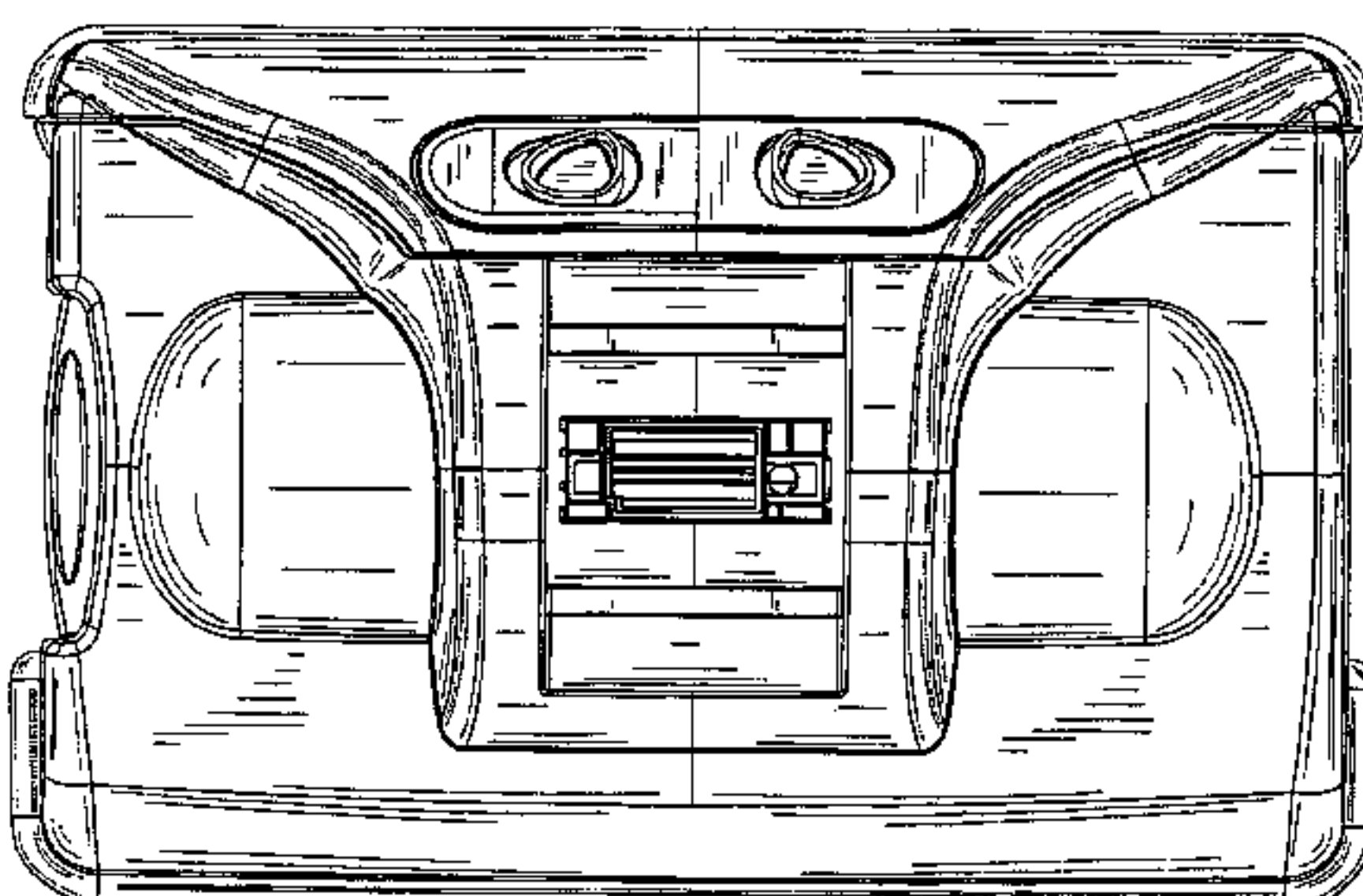
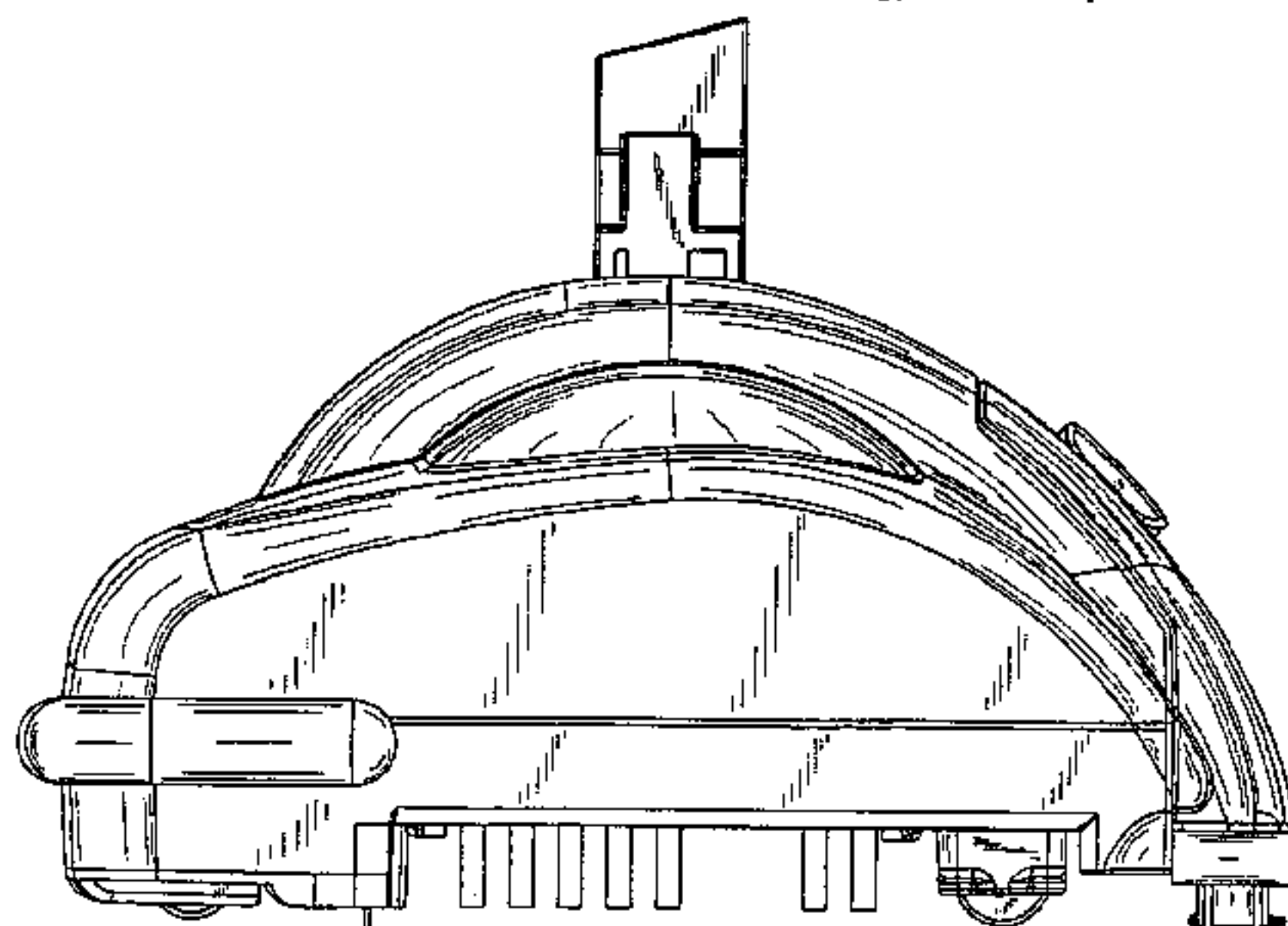
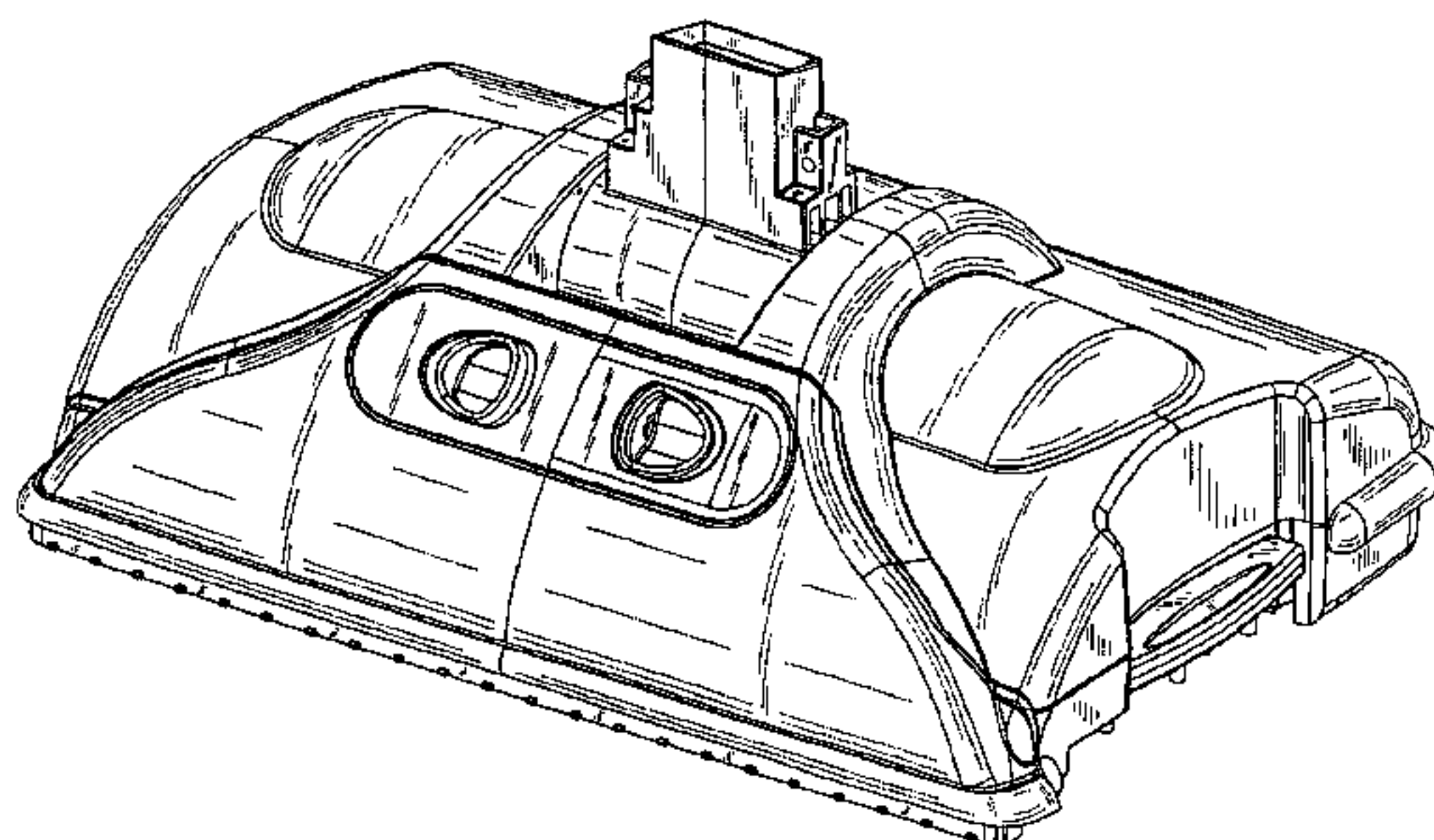
**DESCRIPTION**

FIG. 1 is a front perspective view of a bare floor cleaner base which embodies our design;  
FIG. 2 is a rear perspective view thereof;  
FIG. 3 is a front view thereof;  
FIG. 4 is a rear view thereof;  
FIG. 5 is a right side thereof;  
FIG. 6 is a left side view thereof; and,  
FIG. 7 is a top view thereof.

(56) **References Cited**  
**U.S. PATENT DOCUMENTS**

D263,236 S \* 3/1982 Ueda ..... D32/32  
D331,991 S \* 12/1992 Wright et al. .... D32/32  
D335,941 S \* 5/1993 Wright et al. .... D32/32  
D342,812 S 12/1993 Reath  
D352,809 S \* 11/1994 Reath ..... D32/31

**1 Claim, 5 Drawing Sheets**



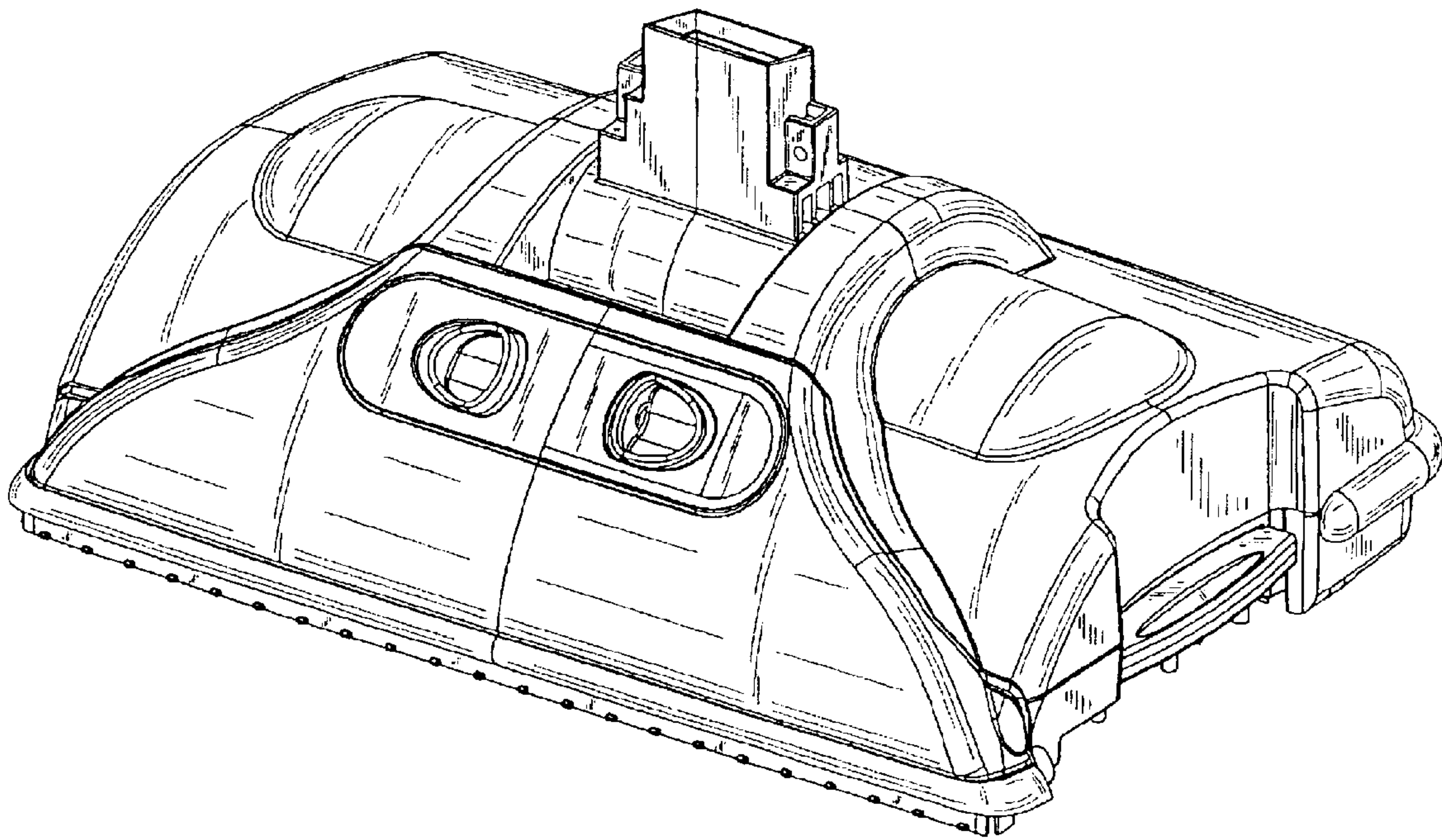
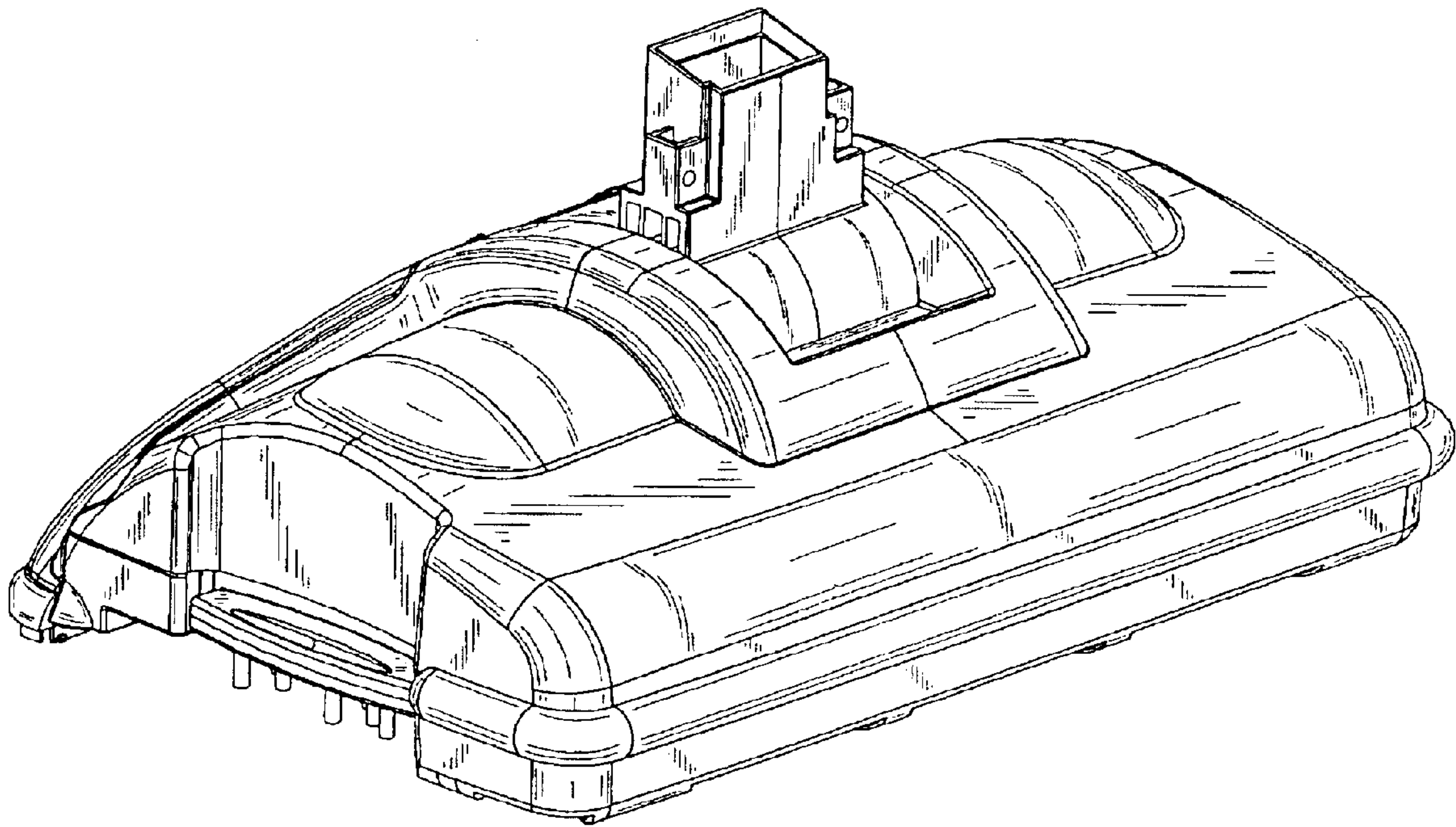


Fig. 1



**Fig. 2**



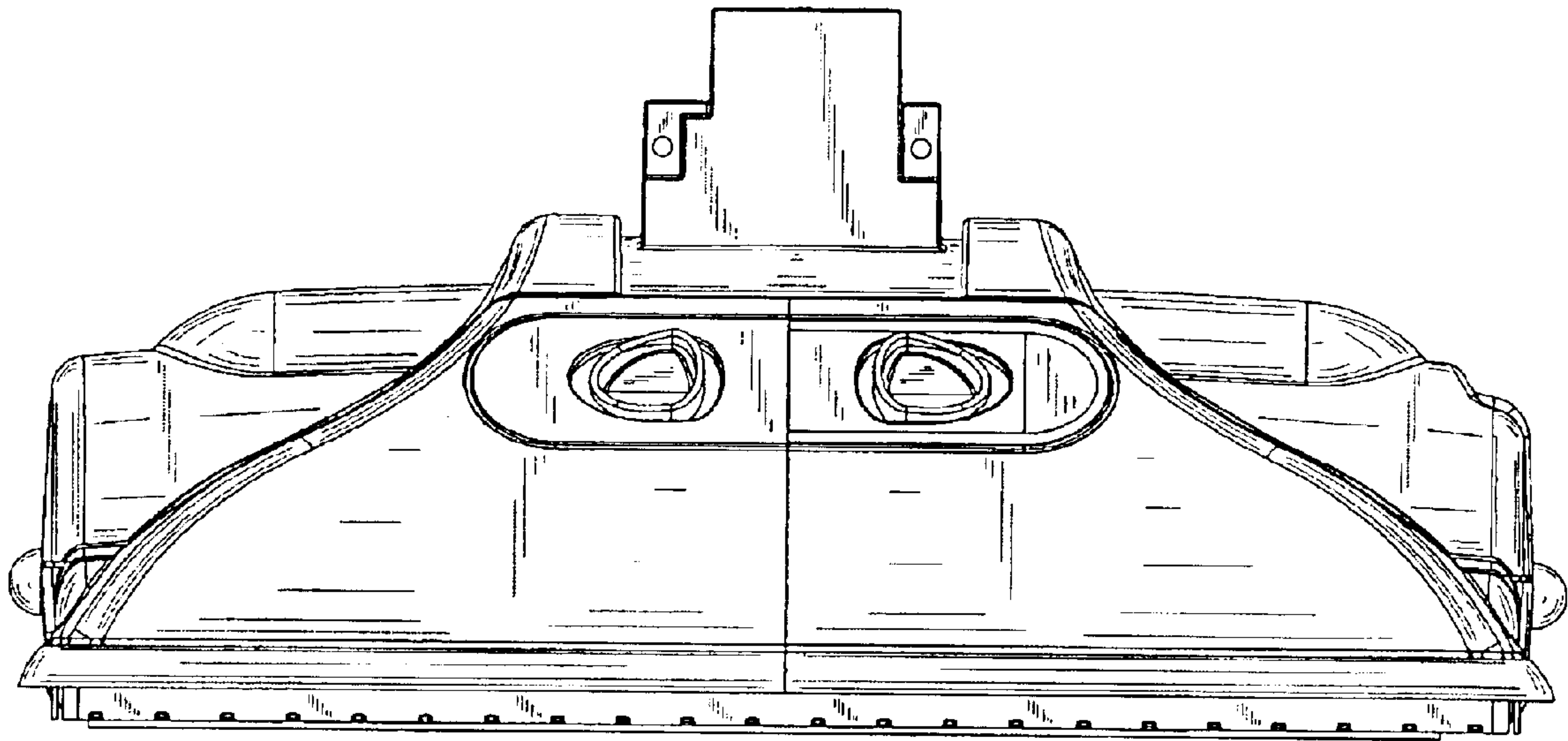


Fig. 3

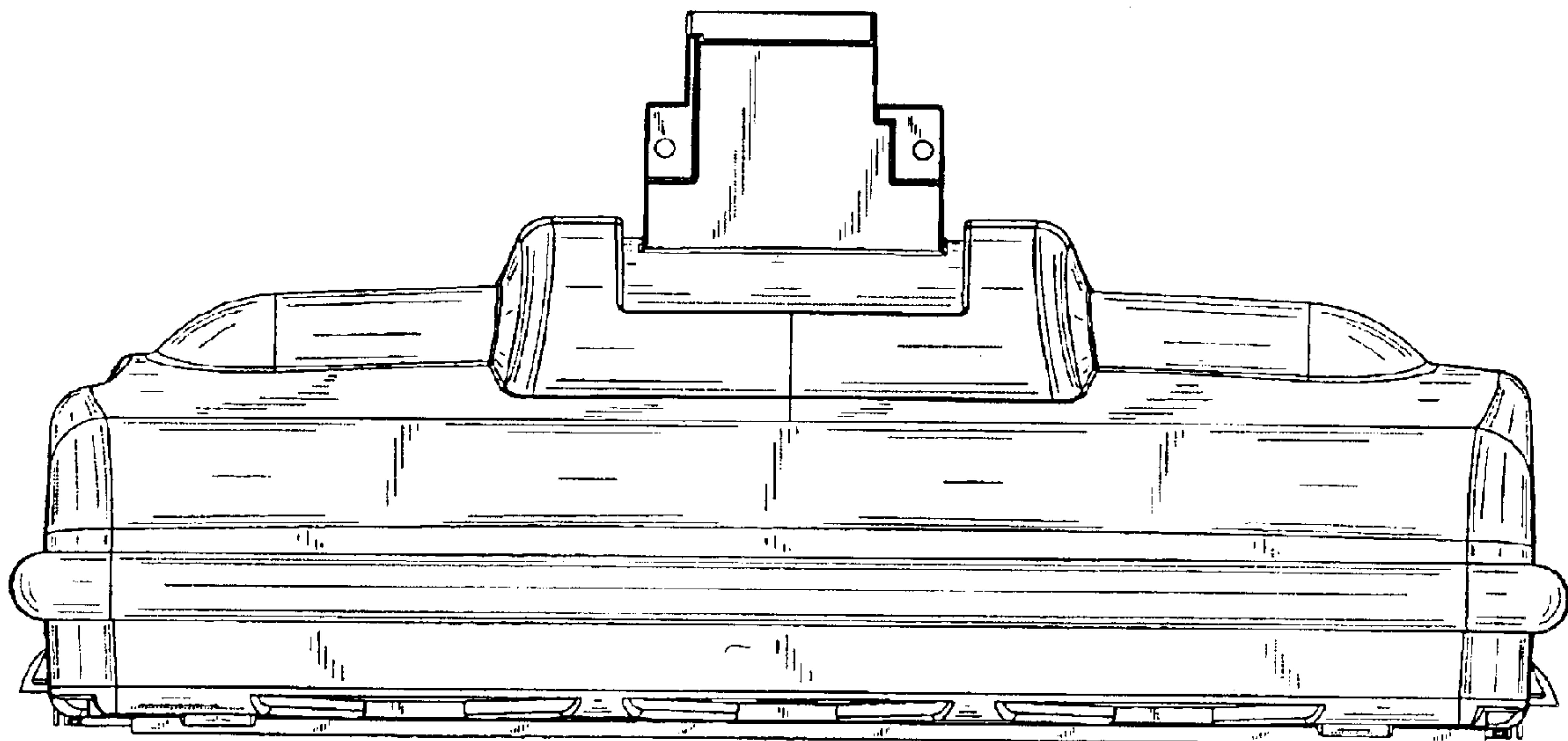


Fig. 4

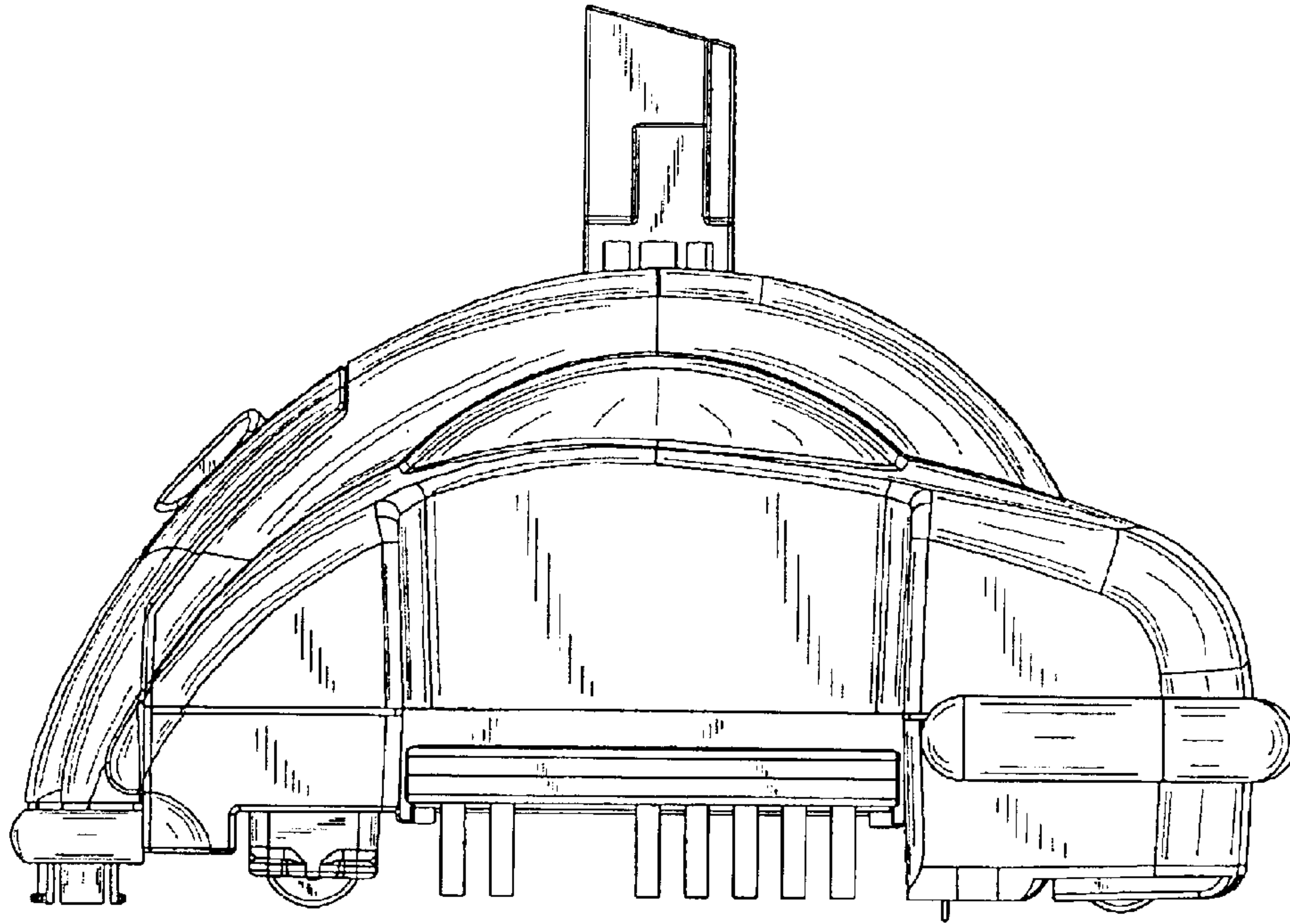


Fig. 5

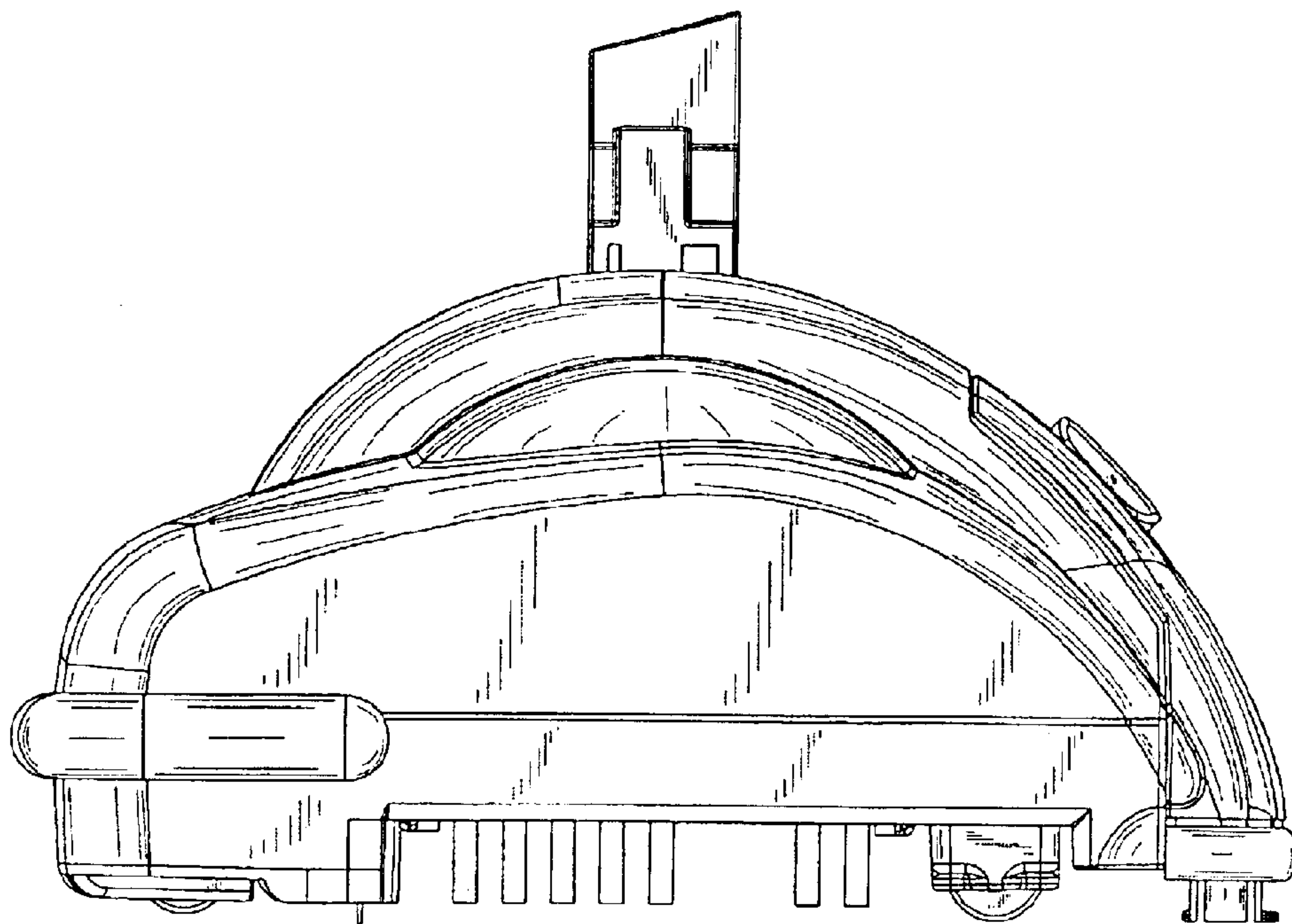


Fig. 6

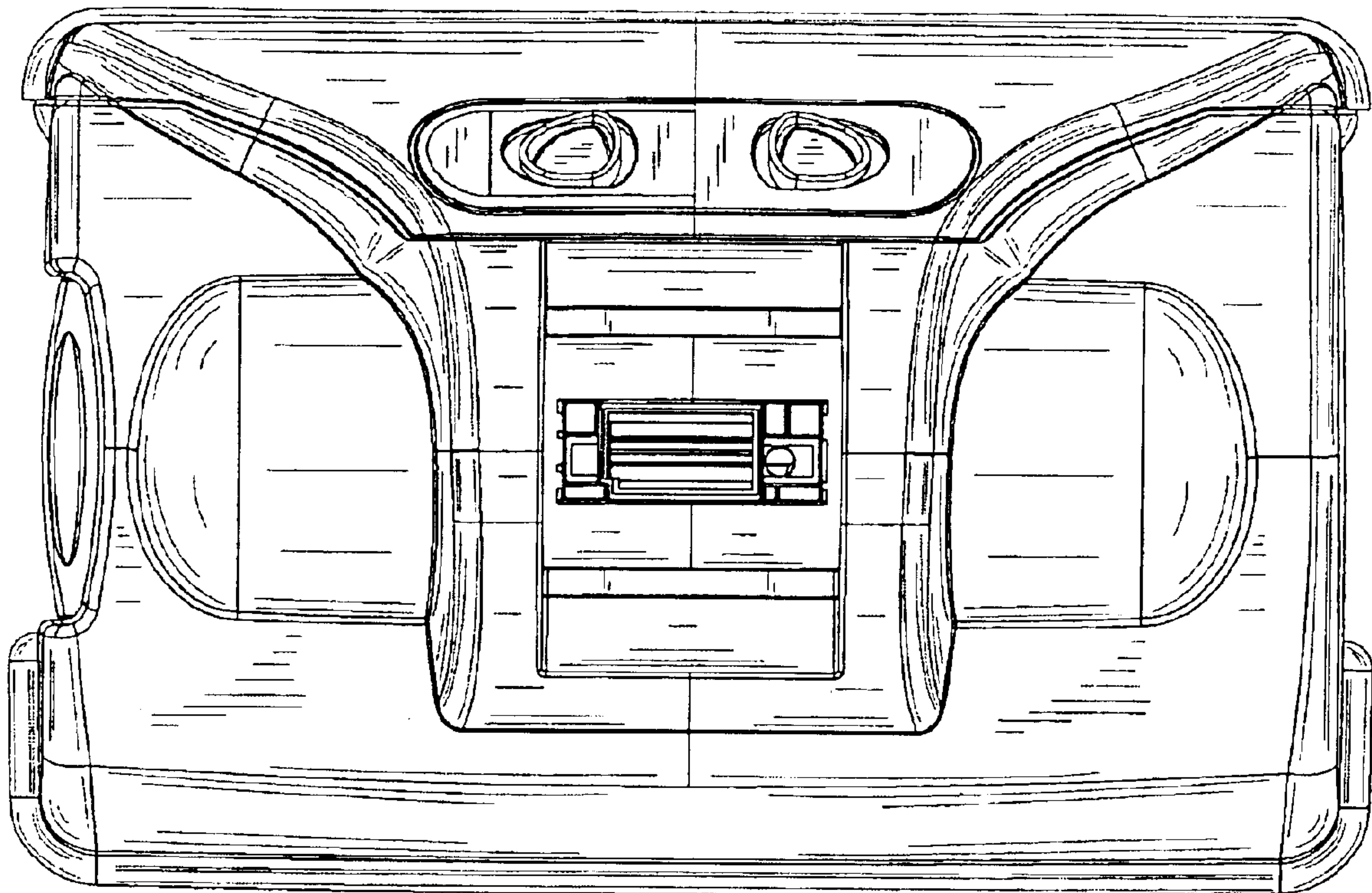


Fig. 7