

US00D506047S

(12) **United States Design Patent**
Alford et al.

(10) **Patent No.: US D506,047 S**

(45) **Date of Patent: ** *Jun. 7, 2005**

(54) **SUCTION NOZZLE HOOD FOR A FLOOR CARE APPLIANCE**

(76) Inventors: **William G. Alford**, 4605 Frazer Ave. NW., Canton, OH (US) 44709; **Richard R. Tucker**, 6155 Constance Cir., Canton, OH (US) 44718

(*) Notice: This patent is subject to a terminal disclaimer.

(**) Term: **14 Years**

(21) Appl. No.: **29/179,971**

(22) Filed: **Apr. 17, 2003**

(51) **LOC (8) Cl. 15-05**

(52) **U.S. Cl. D32/32**

(58) **Field of Search** D32/31-33, 21, D32/22, 23; 15/415.1-422.1, 320-322, 350, 352-353, 361-362, 400, 412, 414

(56) **References Cited**

U.S. PATENT DOCUMENTS

- 5,903,955 A * 5/1999 Farone et al. 15/331
- D411,669 S * 6/1999 Wareham D32/32
- D412,380 S * 7/1999 Wareham D32/32

- D439,383 S * 3/2001 Salo et al. D32/32
- 6,237,189 B1 * 5/2001 Maurer et al. 15/383
- D463,080 S * 9/2002 Farone et al. D32/32
- D469,936 S * 2/2003 Mchaffey D32/32
- D473,986 S * 4/2003 Parr et al. D32/32
- D474,315 S * 5/2003 Archer et al. D32/32
- D474,569 S * 5/2003 Archer et al. D32/32
- D475,823 S * 6/2003 Medema et al. D32/32

* cited by examiner

Primary Examiner—Ruth McInroy

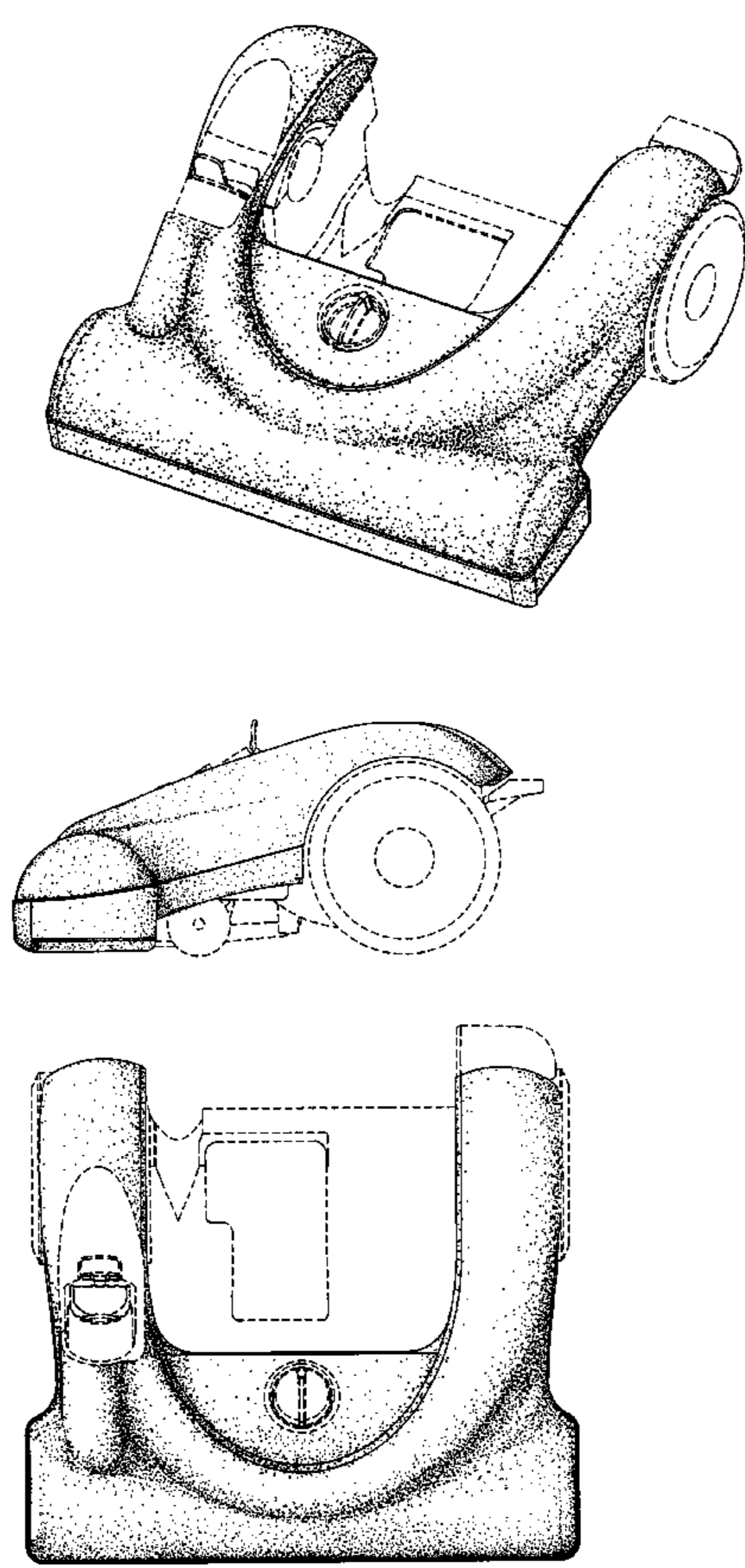
(57) **CLAIM**

The ornamental design of a suction nozzle hood for a floor care appliance, as shown and described.

DESCRIPTION

FIG. 1 is a front perspective view of a suction nozzle hood of a floor care appliance showing our new design;
 FIG. 2 is a front view thereof;
 FIG. 3 is a left side view thereof;
 FIG. 4 is a right side view thereof; and,
 FIG. 5 is a top view thereof.
 The portions shown in dashed lines are shown for illustrative purposes only and form no part of the claimed design.

1 Claim, 3 Drawing Sheets



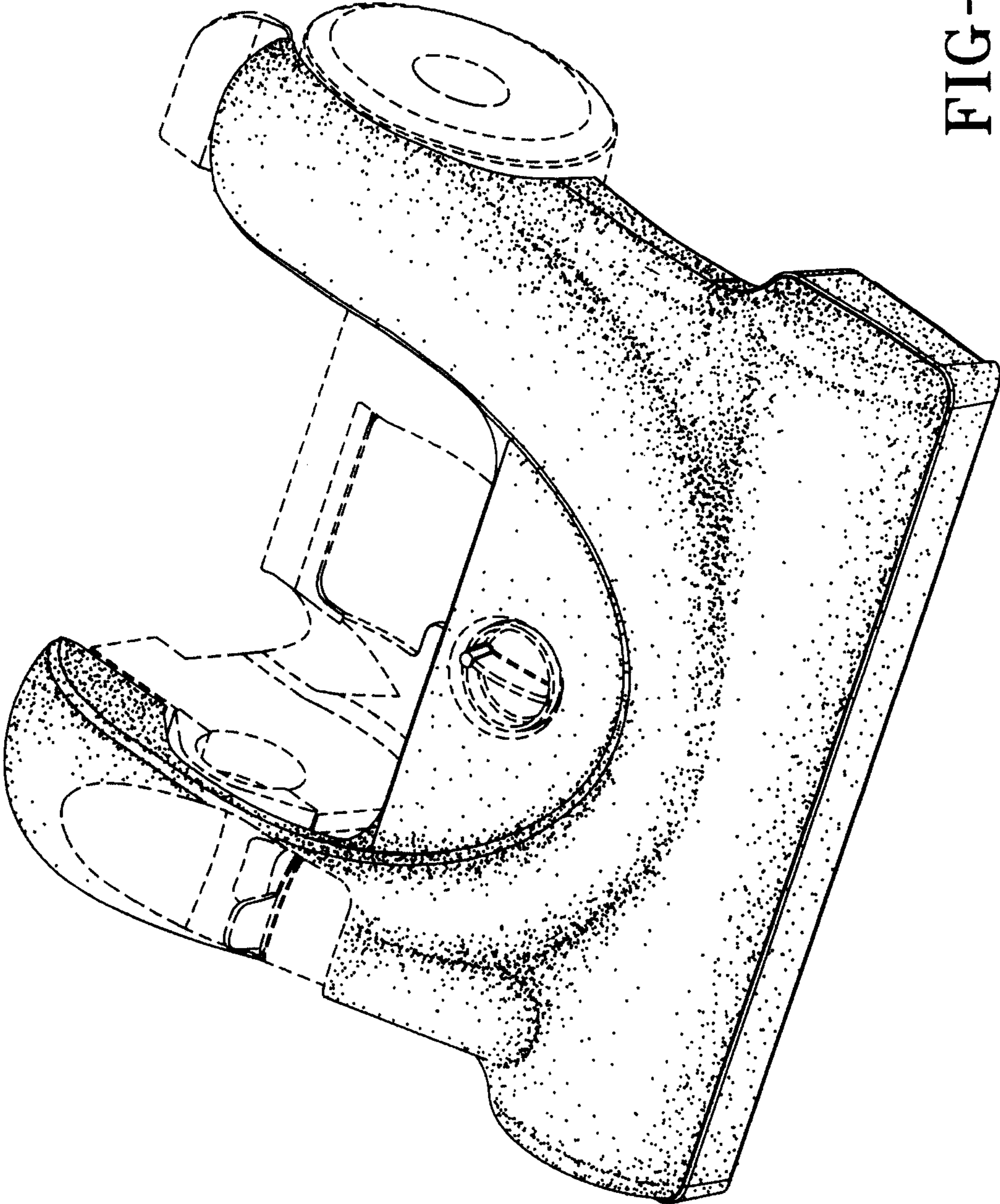


FIG--1

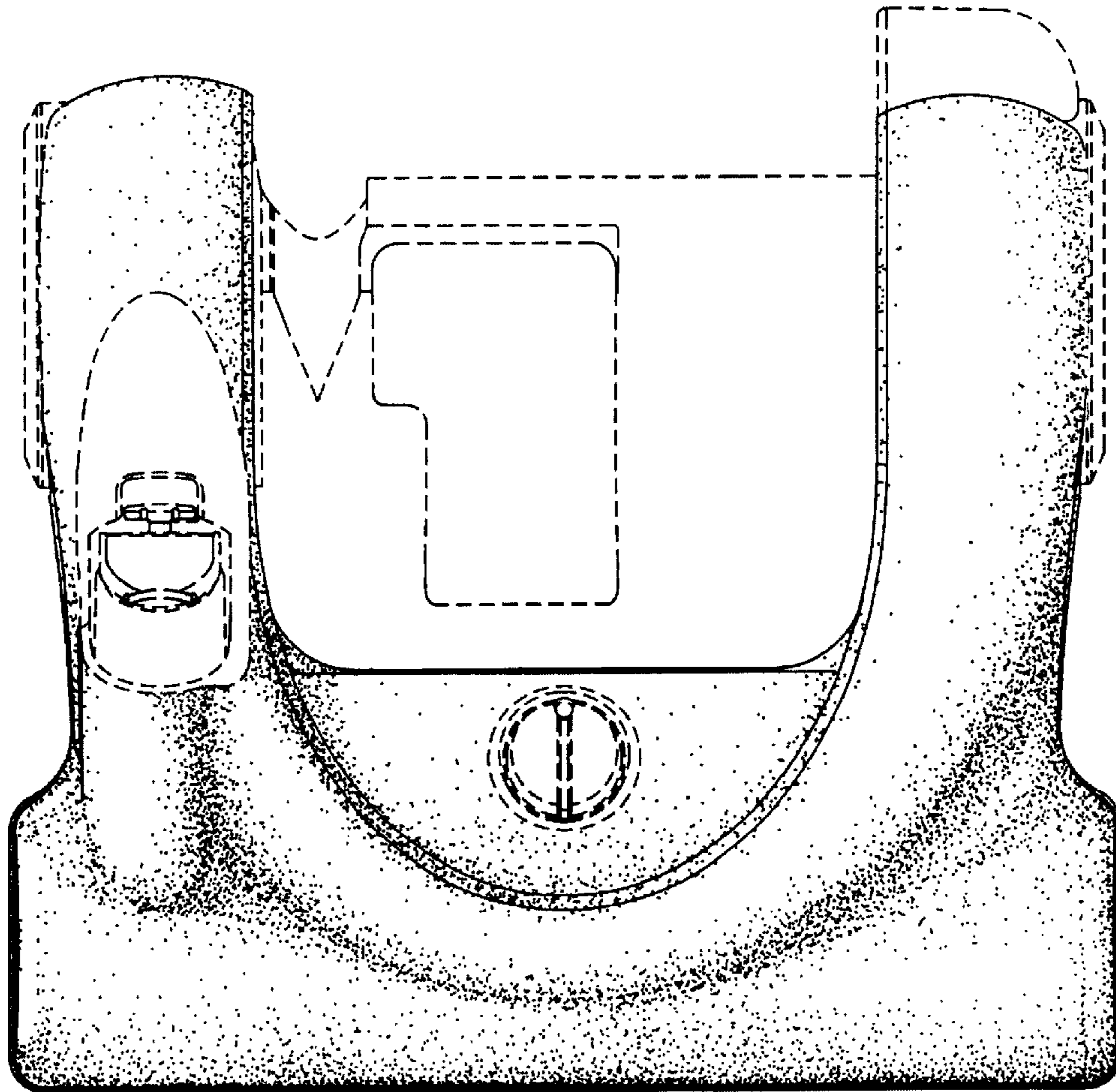


FIG-5

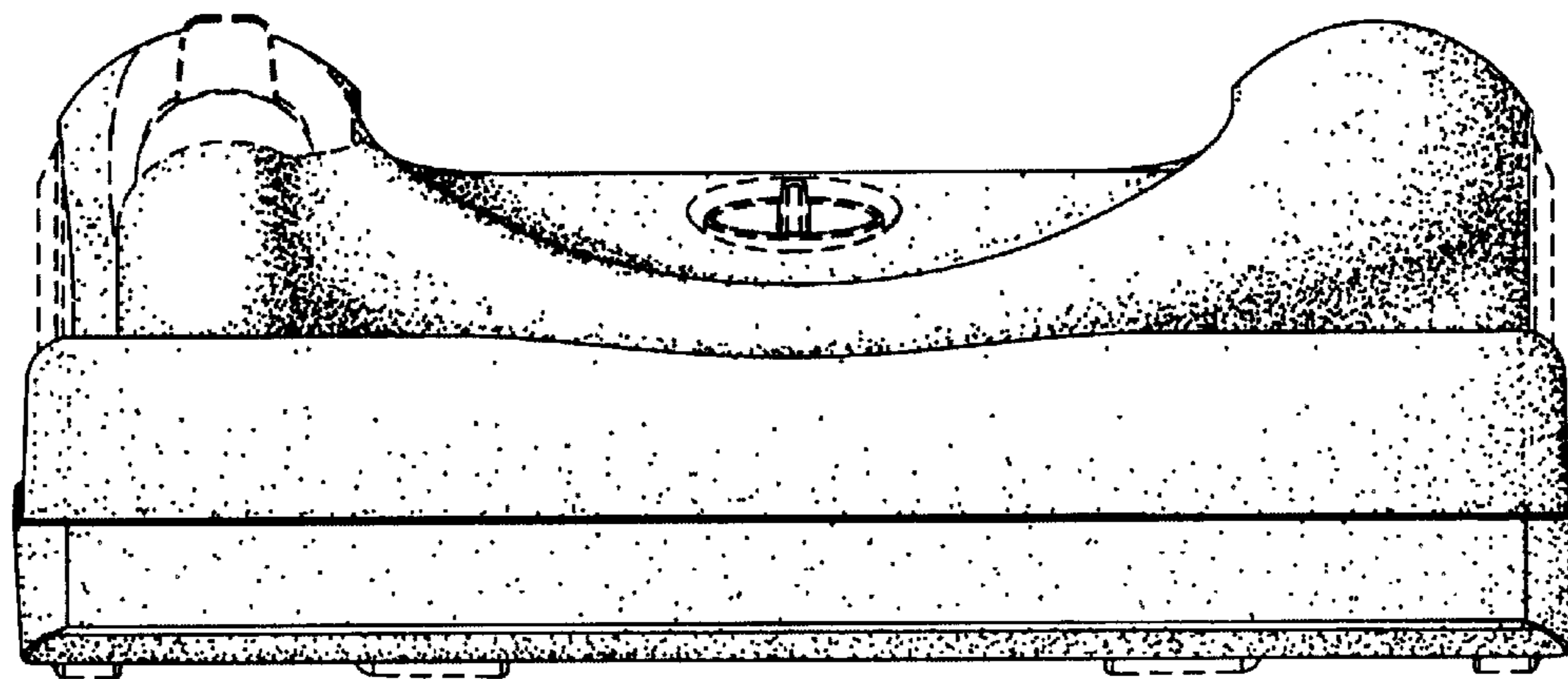


FIG-2

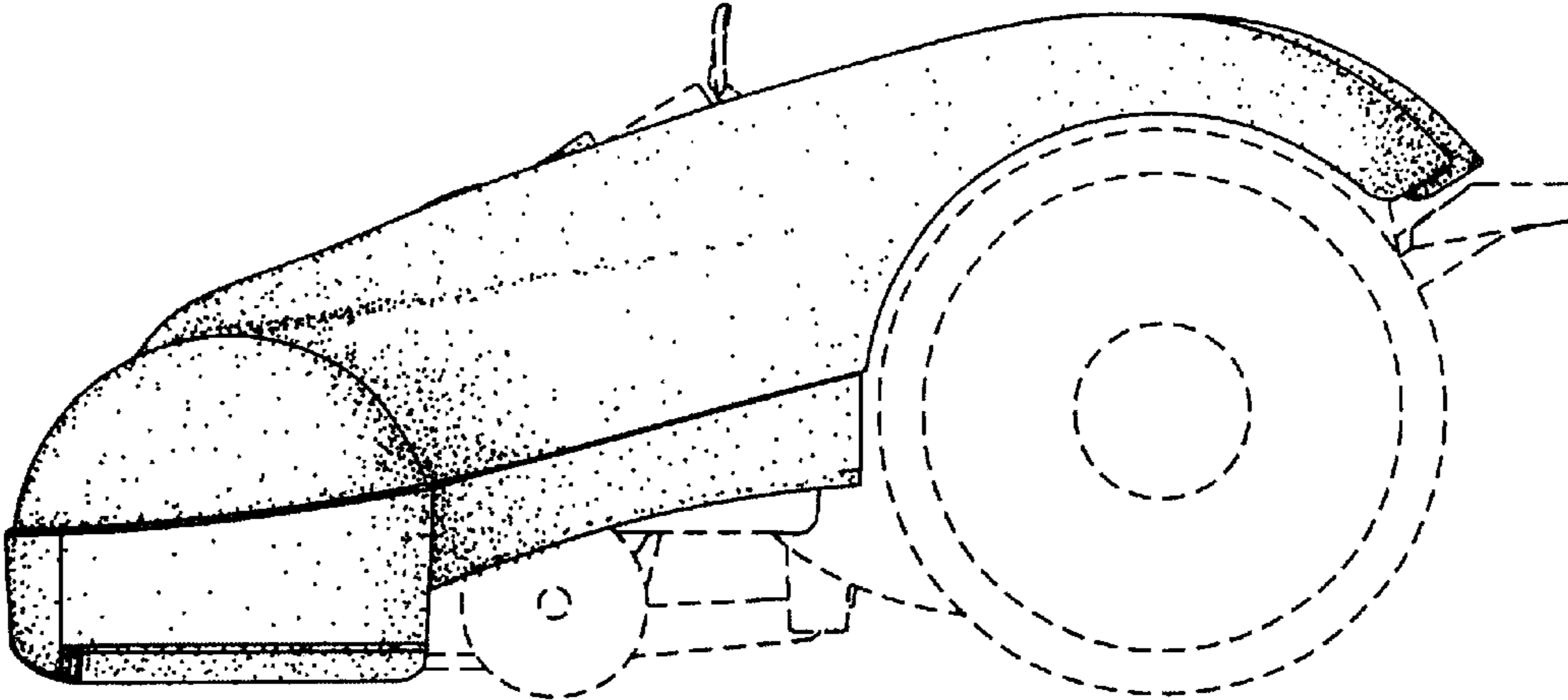


FIG-3

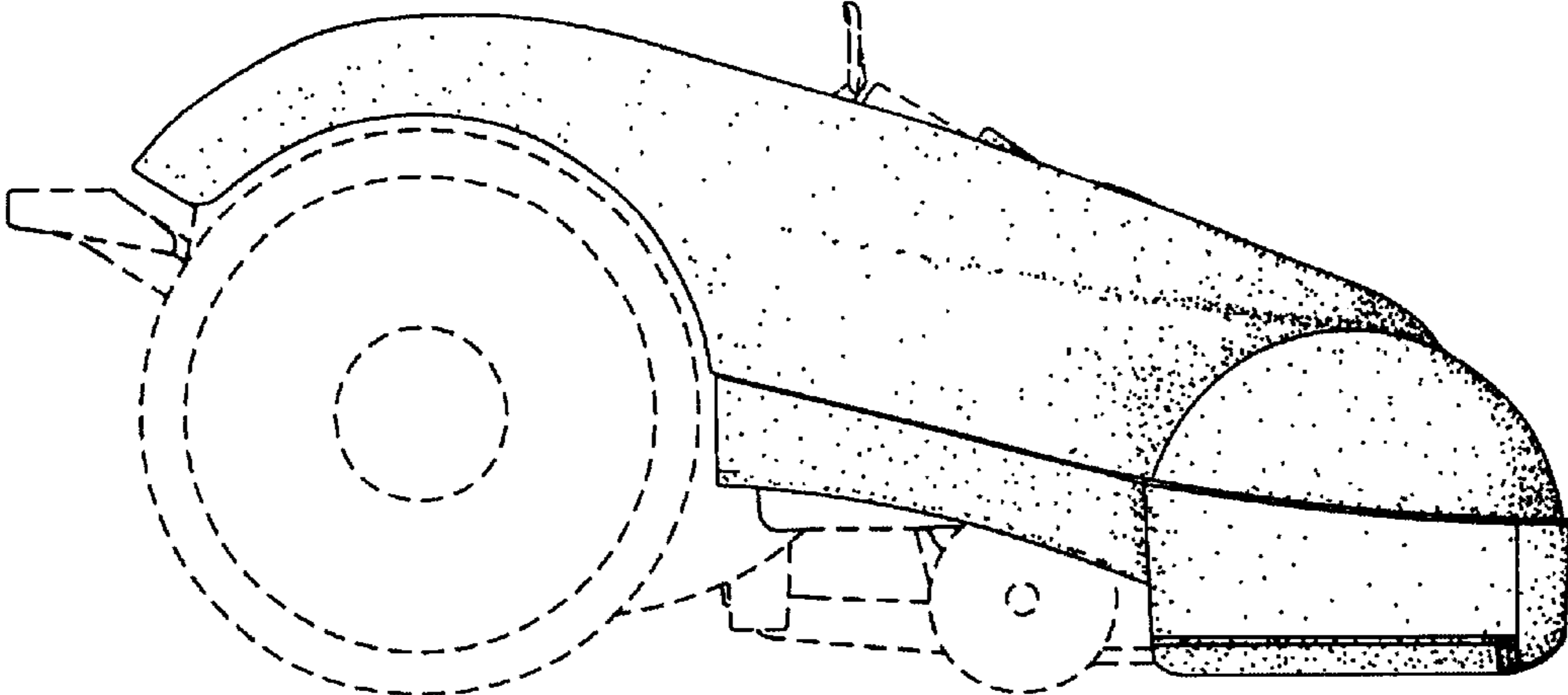


FIG-4