

US00D506046S

(12) **United States Design Patent**
Schröter

(10) **Patent No.: US D506,046 S**

(45) **Date of Patent: ** Jun. 7, 2005**

(54) **COMBINED VACUUM CLEANER BRUSH, BROOM, AND TELESCOPING WAND**

(74) *Attorney, Agent, or Firm*—Laurence A. Greenberg; Werner H. Stemer; Gregory L. Mayback

(75) **Inventor: Jörg Schröter, Gröbenzell (DE)**

(57) **CLAIM**

(73) **Assignee: BSH Bosch und Siemens Hausgerate GmbH, Munich (DE)**

The ornamental design for a combined vacuum cleaner brush, broom, and telescoping wand, as shown and described.

(**) **Term: 14 Years**

DESCRIPTION

(21) **Appl. No.: 29/146,656**

FIG. 1 is a bottom perspective view of a combined vacuum cleaner brush, broom and telescoping wand, with the broom unfolded and deployed, showing my new design;

(22) **Filed: Aug. 13, 2001**

FIG. 2 is a top, front perspective view thereof;

(30) **Foreign Application Priority Data**

FIG. 3 is a top view thereof with the broom folded and retracted;

Feb. 13, 2001 (WO) DM/055 245

FIG. 4 is a bottom view thereof;

(51) **LOC (8) Cl. 15-05**

FIG. 5 is a right side view thereof;

(52) **U.S. Cl. D32/32**

FIG. 6 is a left side view thereof;

(58) **Field of Search** D32/31–33, 22, D32/25, 34; 15/322, 327.1–327.7, 329, 350, 361–362, 377, 393, 398, 400–401, 410–411, 415.1–422.1; 285/7, 302, 181

FIG. 7 is a rear view thereof;

FIG. 8 is a front view thereof;

FIG. 8 is a top, rear perspective view thereof;

(56) **References Cited**

U.S. PATENT DOCUMENTS

FIG. 10 is a bottom, front perspective view thereof;

FIG. 11 is a top, rear perspective view thereof, with an outer section of the telescoping wand partially extended;

D178,141 S * 6/1956 Martinec D32/33

FIG. 12 is a top, rear perspective view thereof, with an inner section of the telescoping wand extended;

D239,243 S * 3/1976 Hachmann et al. D32/32

FIG. 13 is a top, rear perspective view thereof, with the inner and outer sections of the telescoping wand extended;

D296,372 S * 6/1988 Toney et al. D32/32

FIG. 14 is a bottom, front perspective view thereof, with the brush partially extended; and,

D306,788 S * 3/1990 McAllister et al. D32/32

FIG. 15 is a bottom, front perspective view thereof, with the brush fully extended.

D347,504 S * 5/1994 Furcron et al. D32/33

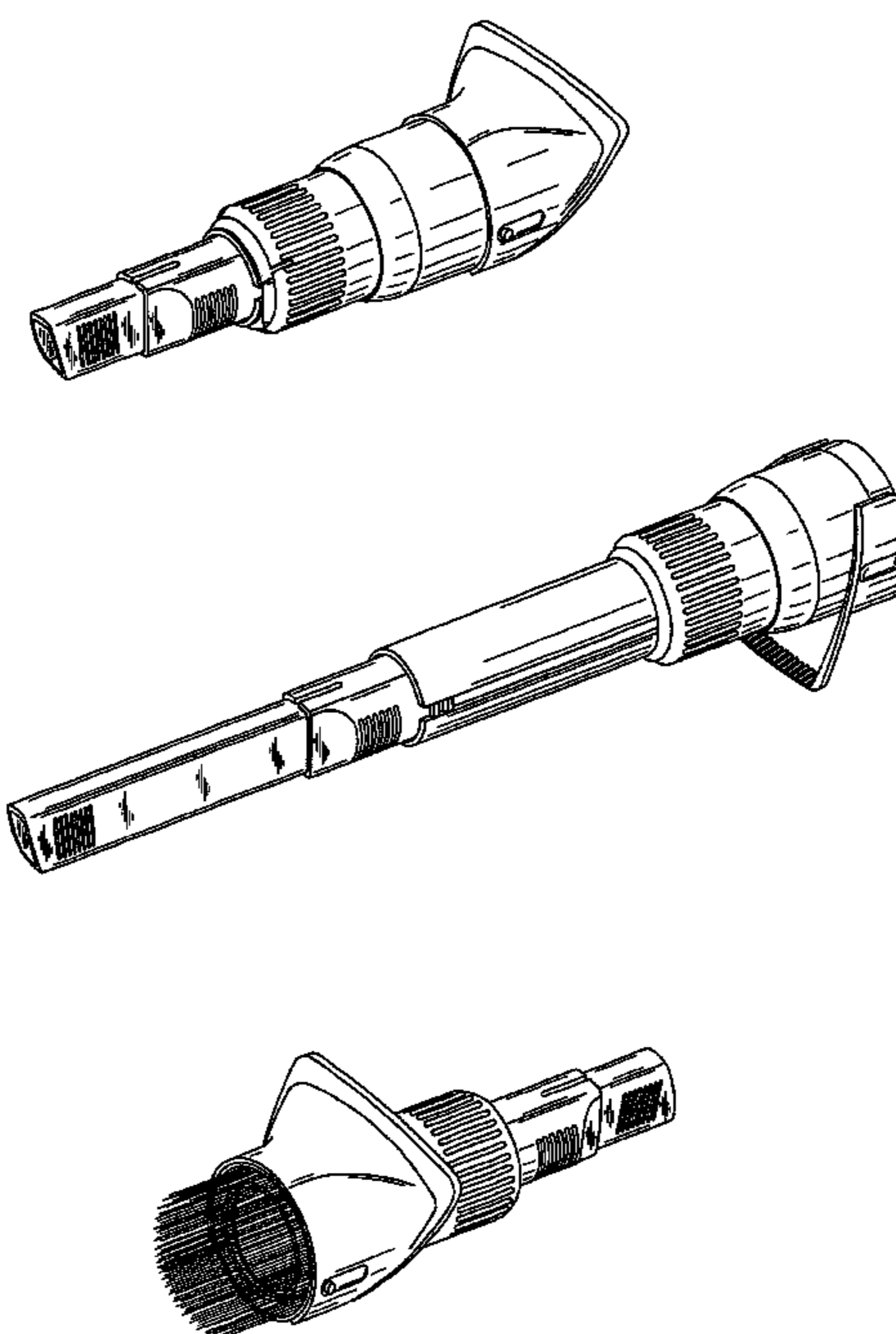
D400,325 S * 10/1998 Broecking D32/33

D453,246 S * 1/2002 Nimmo D32/32

* cited by examiner

Primary Examiner—Ruth McInroy

1 Claim, 8 Drawing Sheets



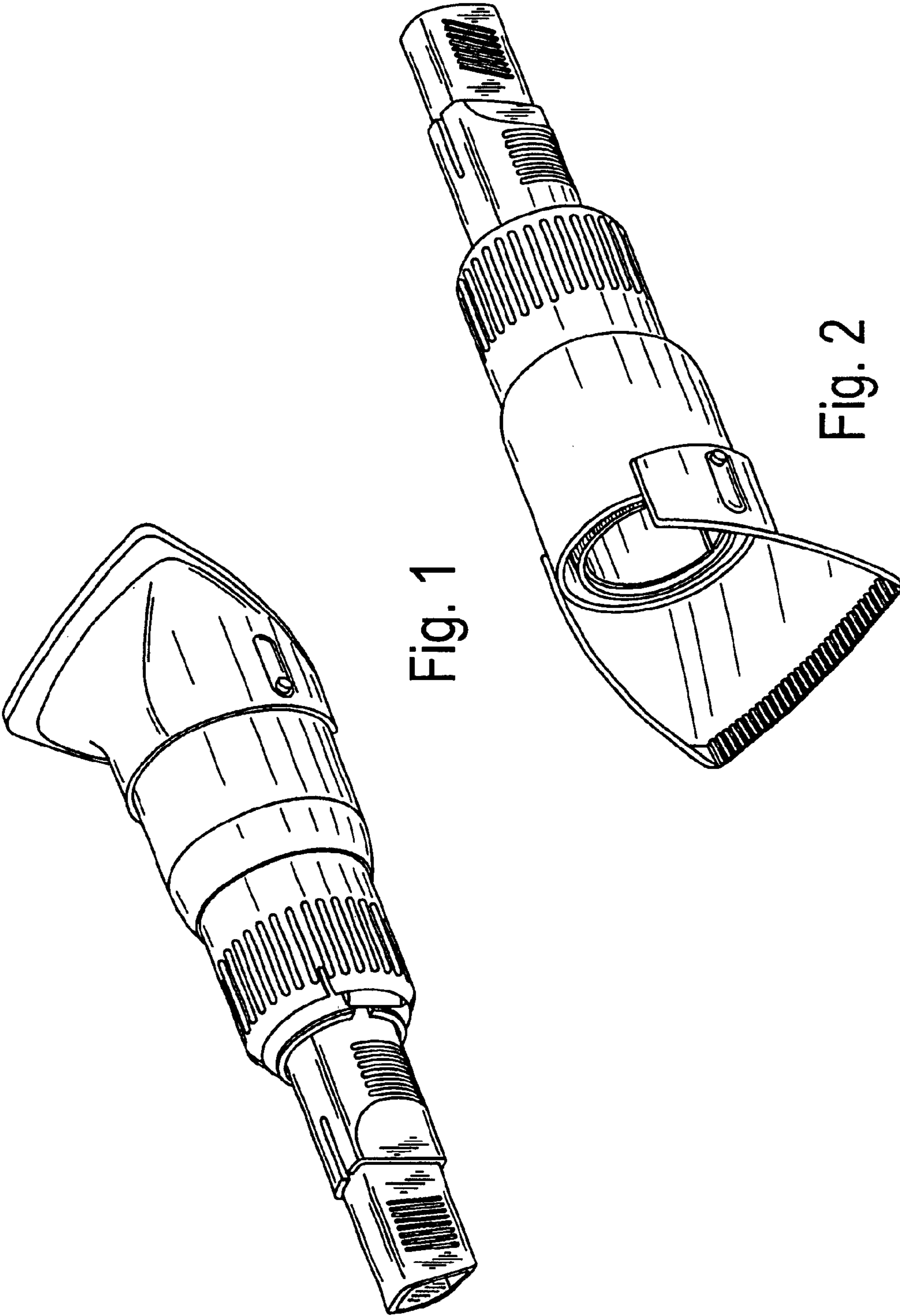


Fig. 1

Fig. 2

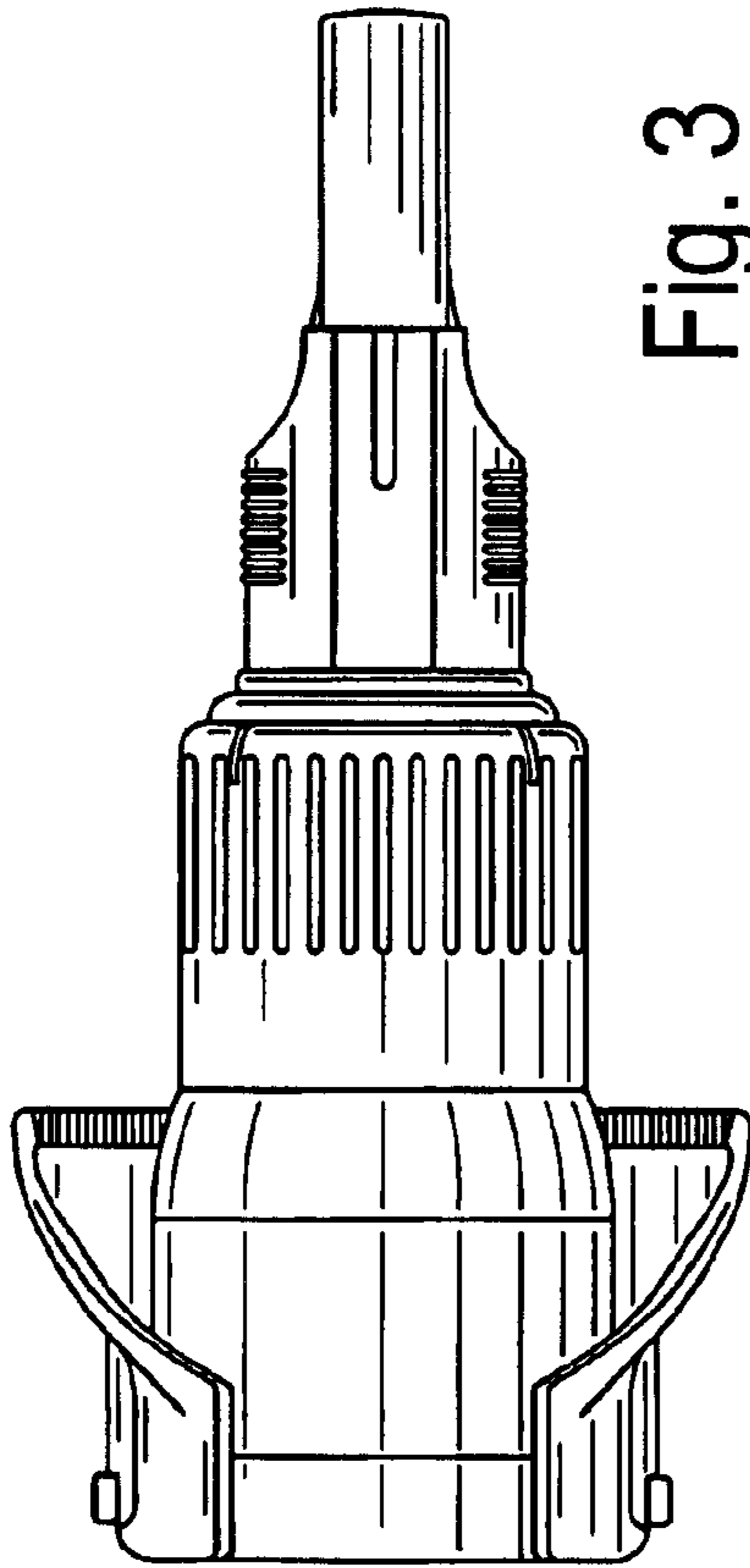


Fig. 3

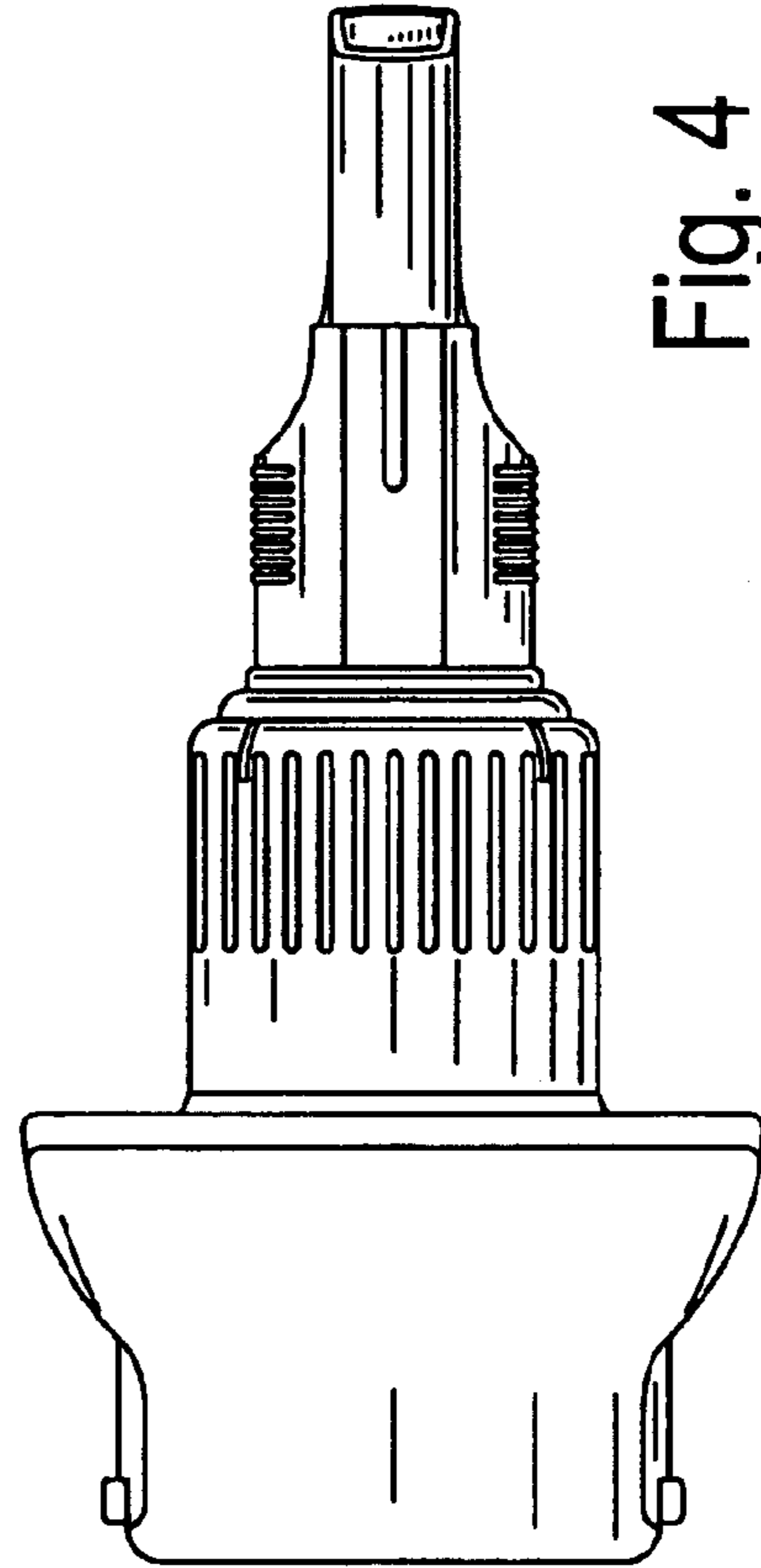


Fig. 4

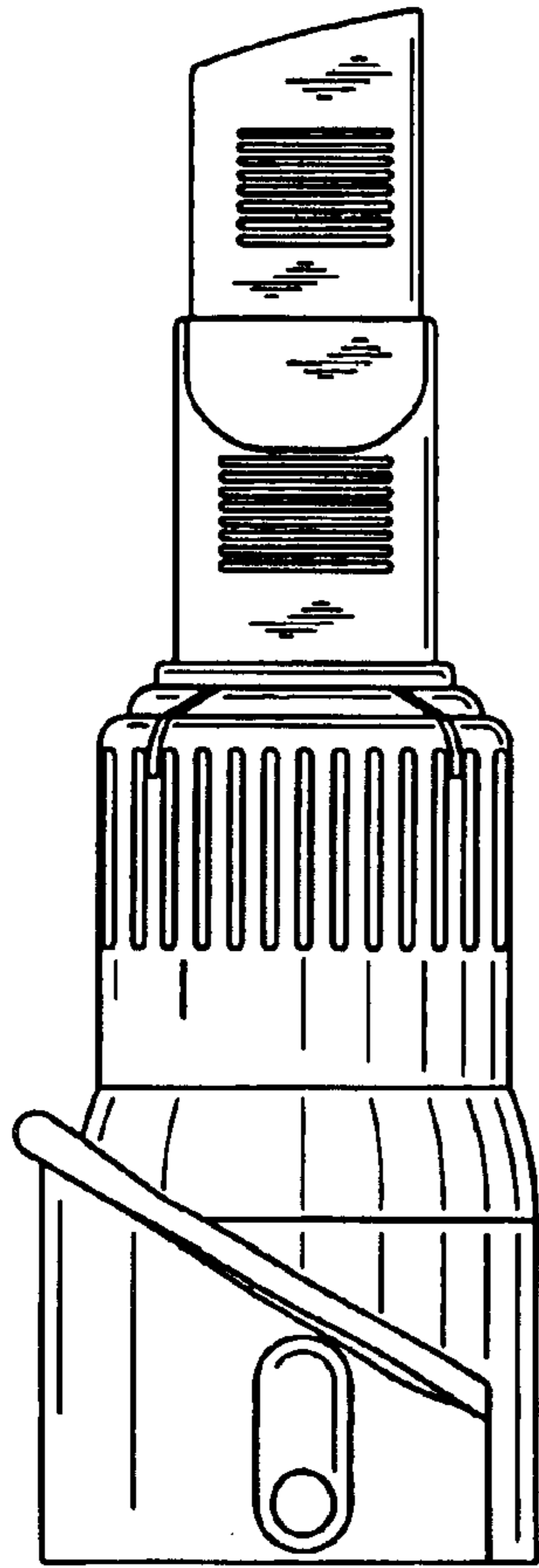


Fig. 5

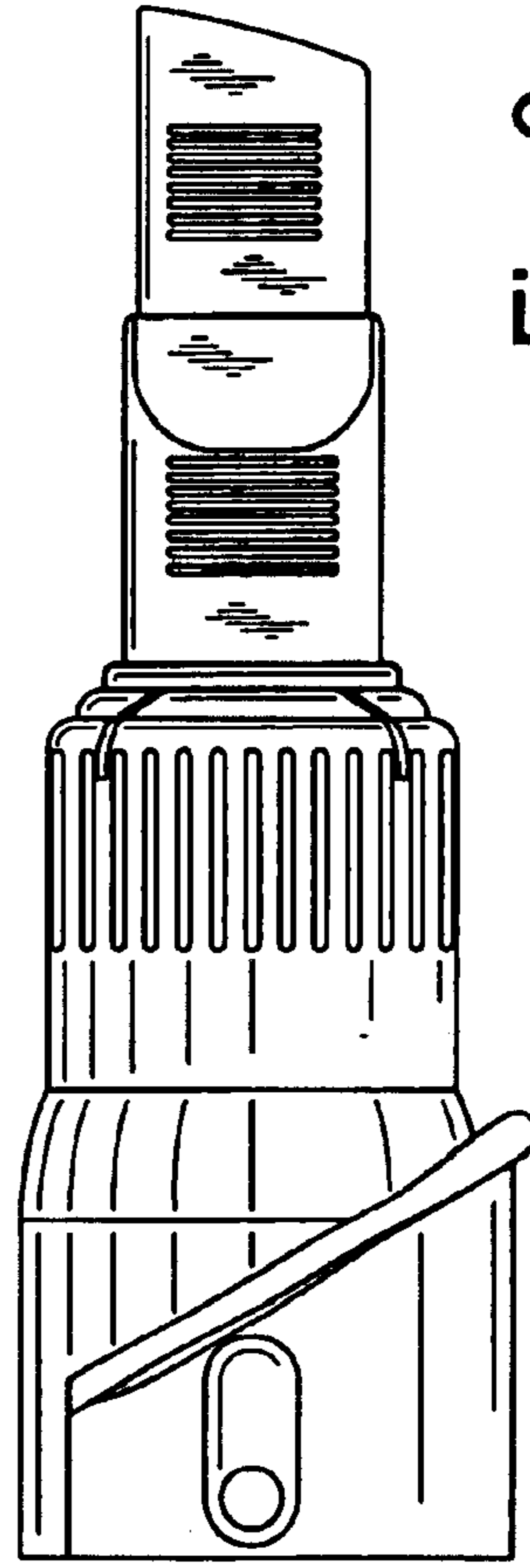


Fig. 6

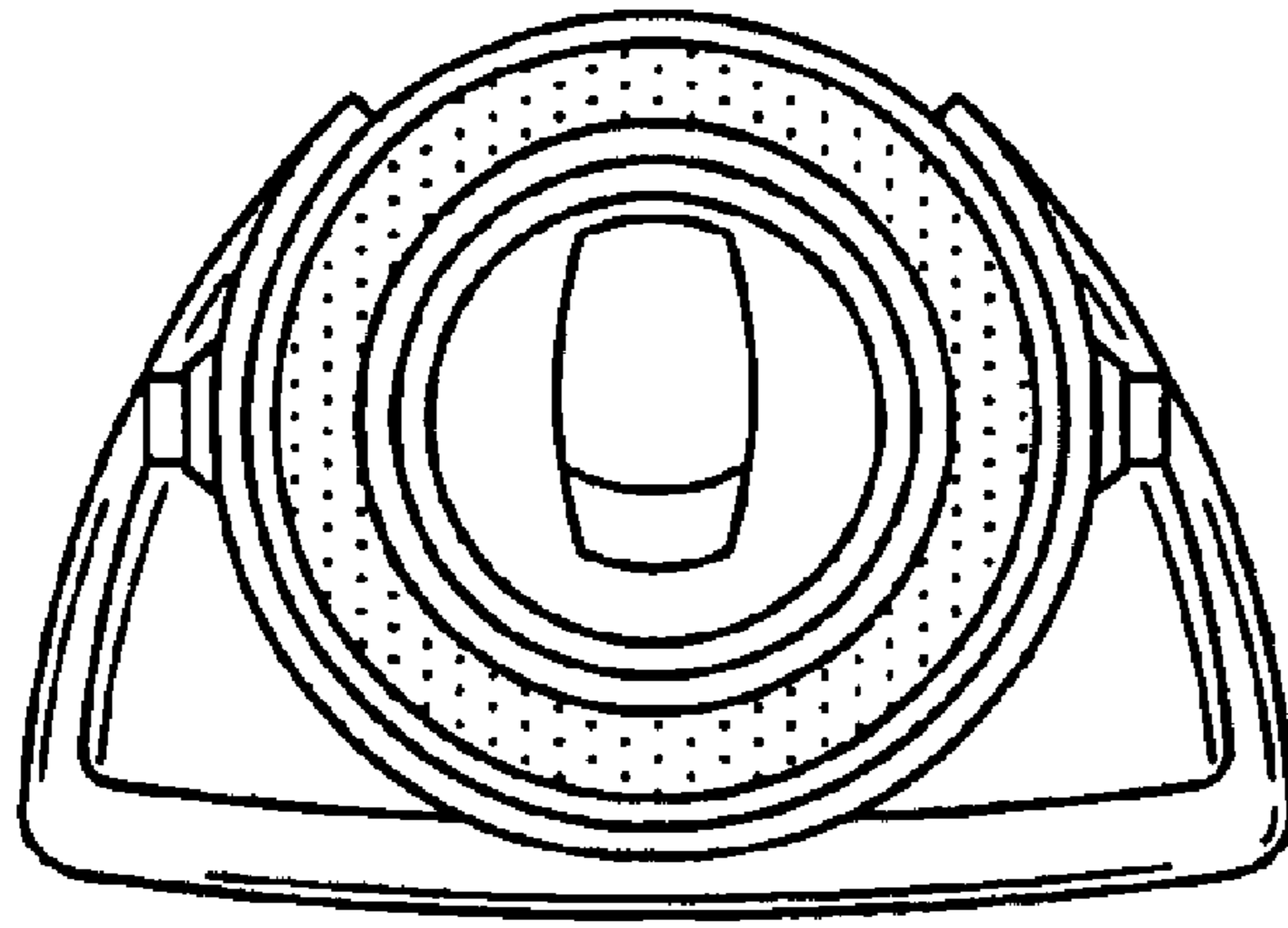


Fig. 8

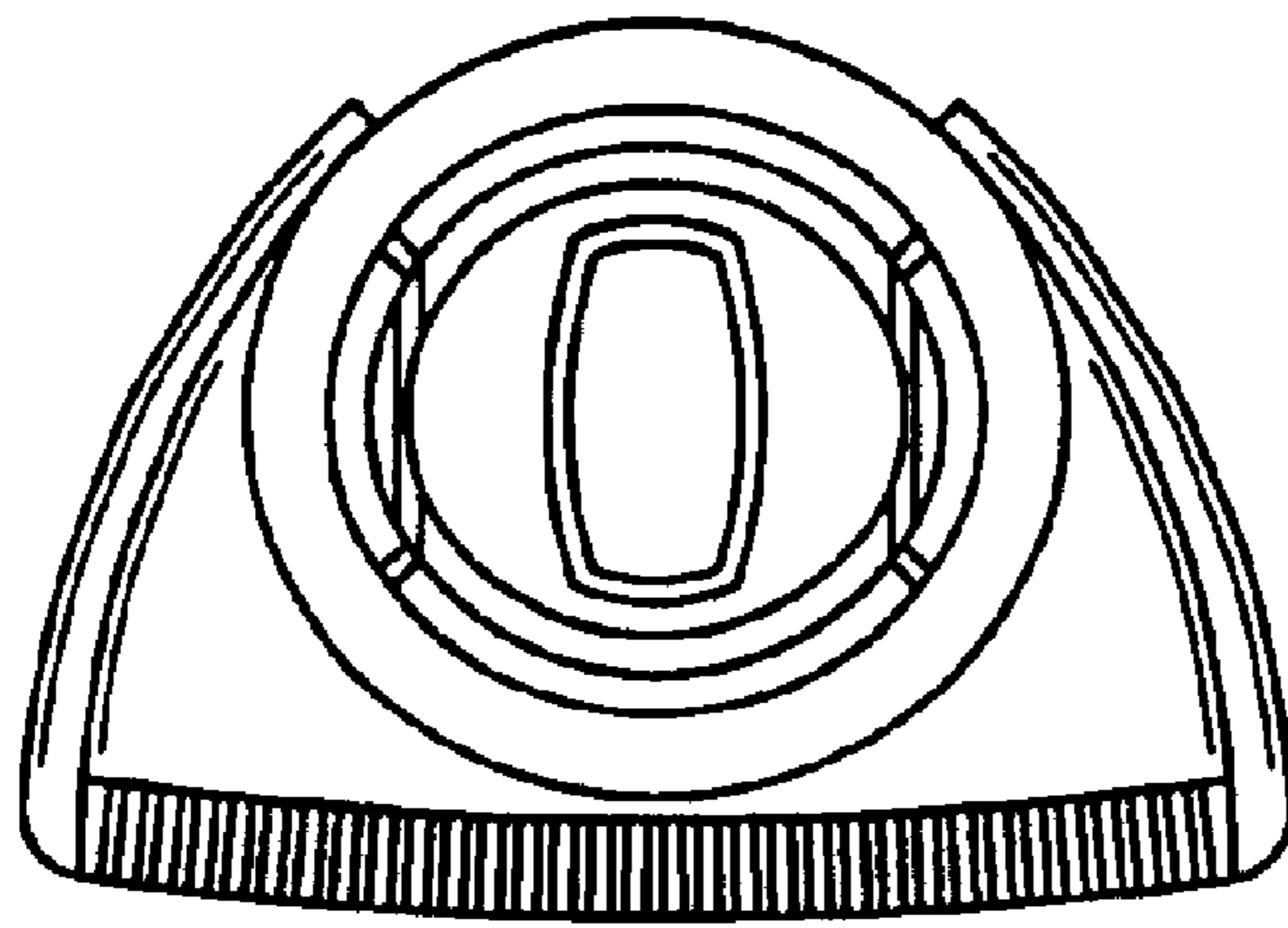


Fig. 7

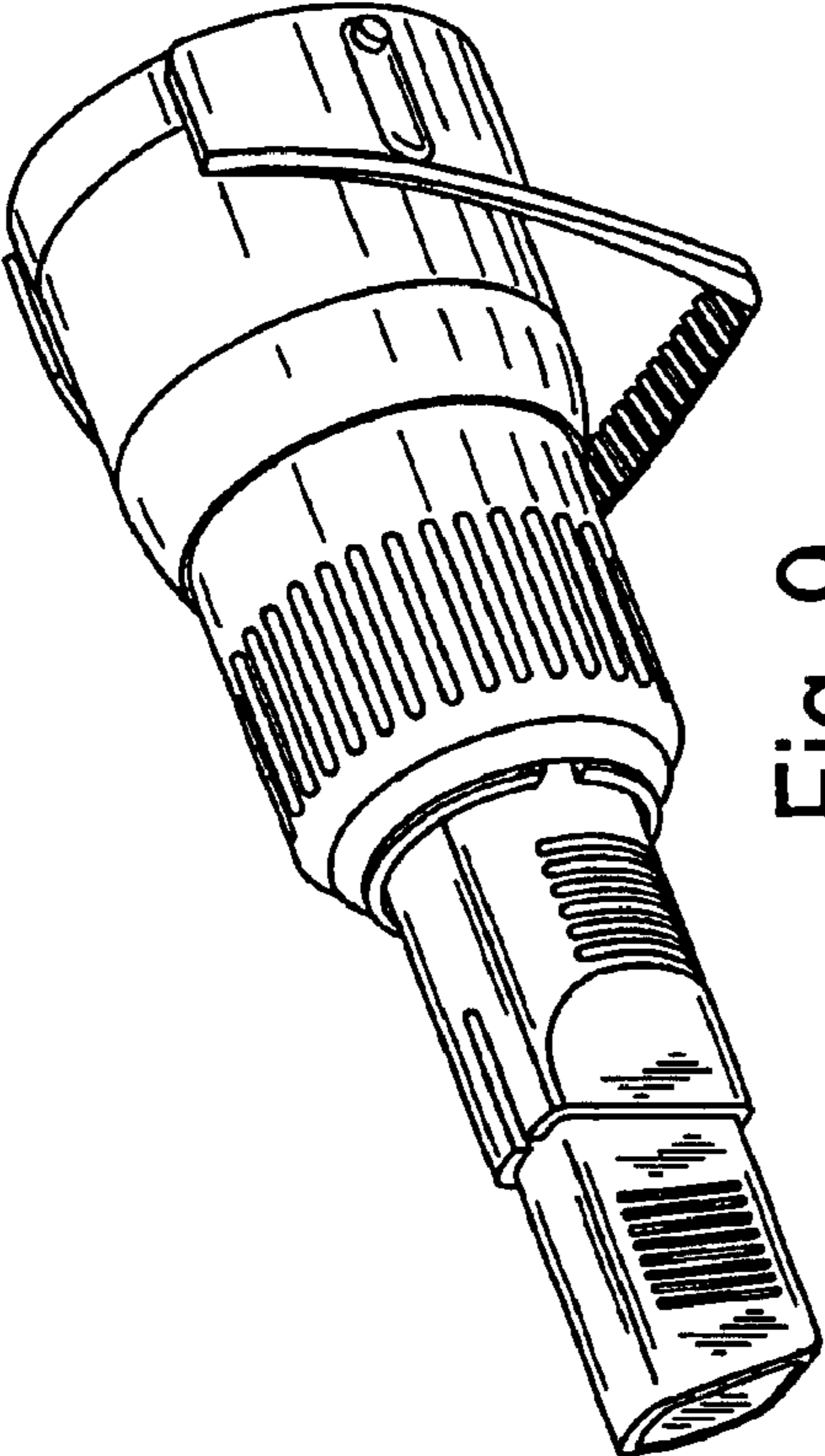


Fig. 9

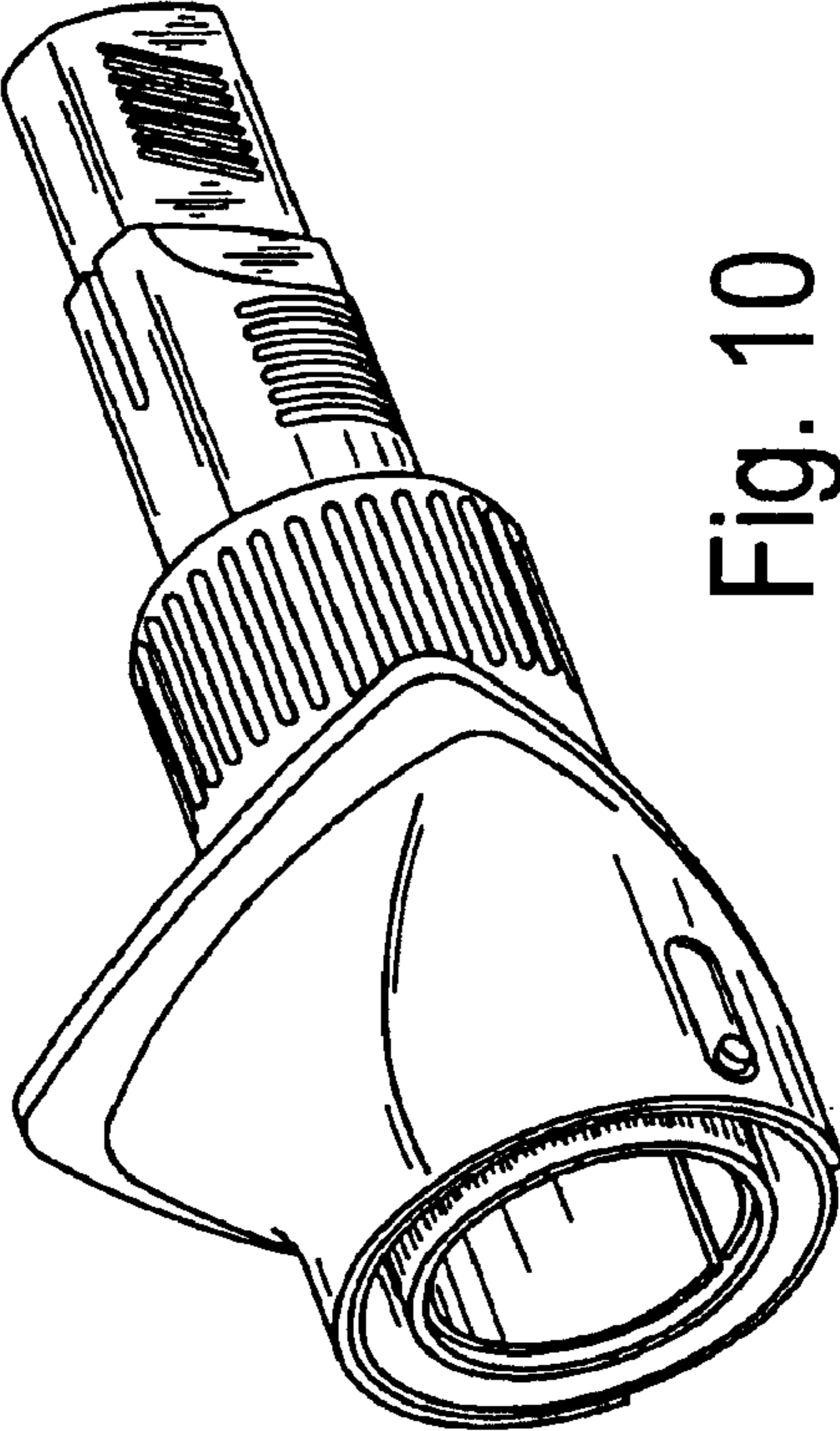


Fig. 10

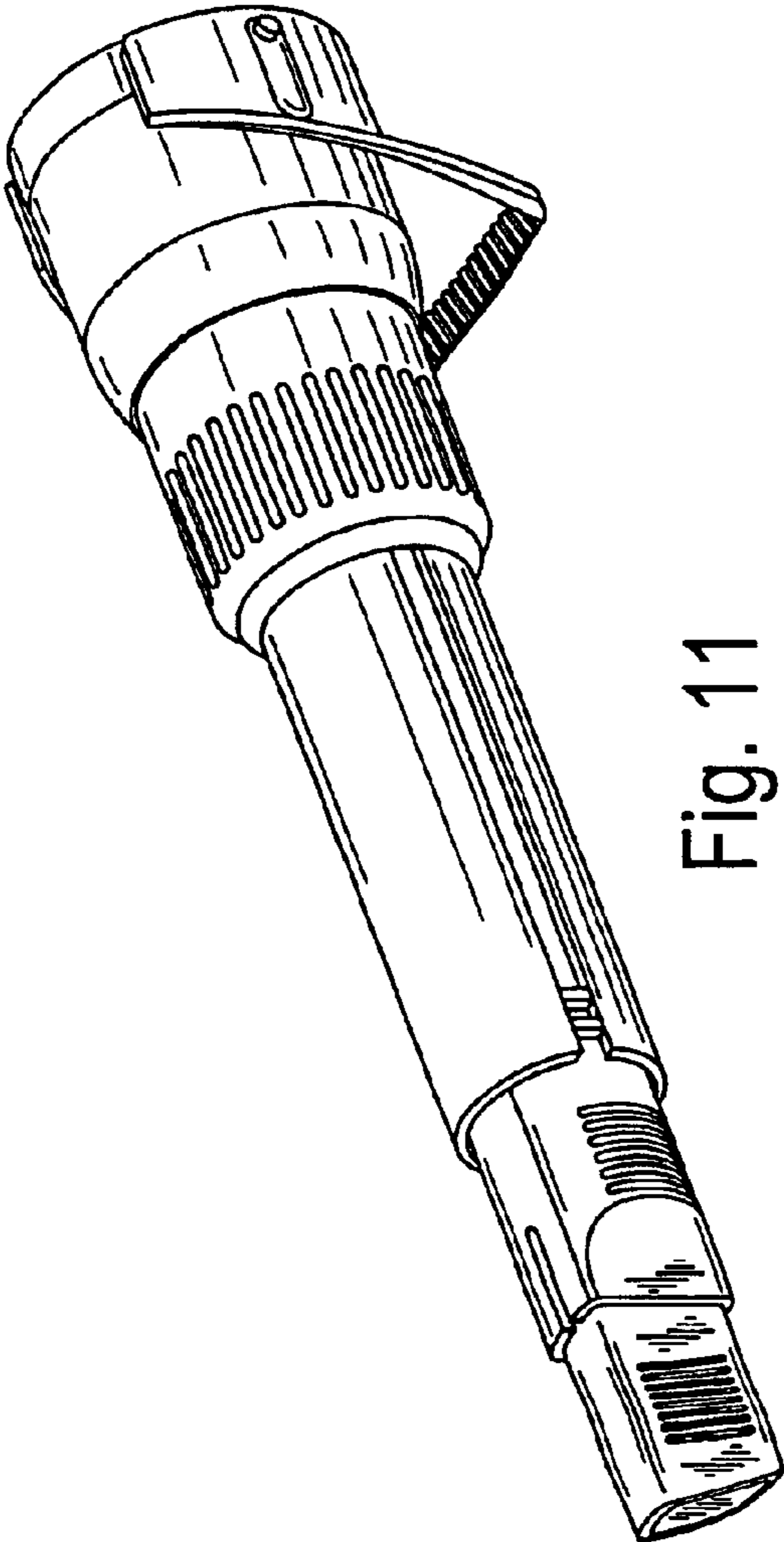


Fig. 11

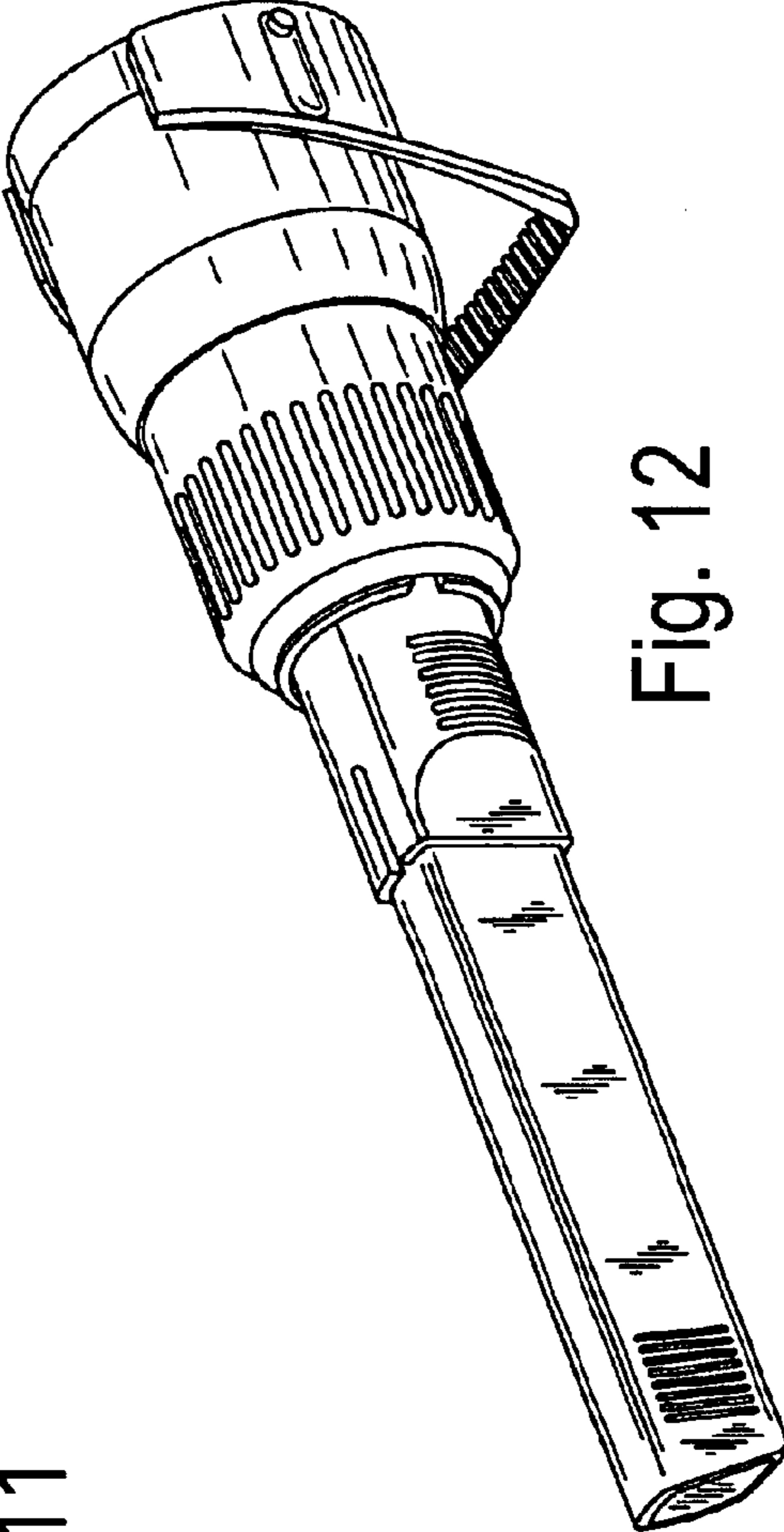


Fig. 12

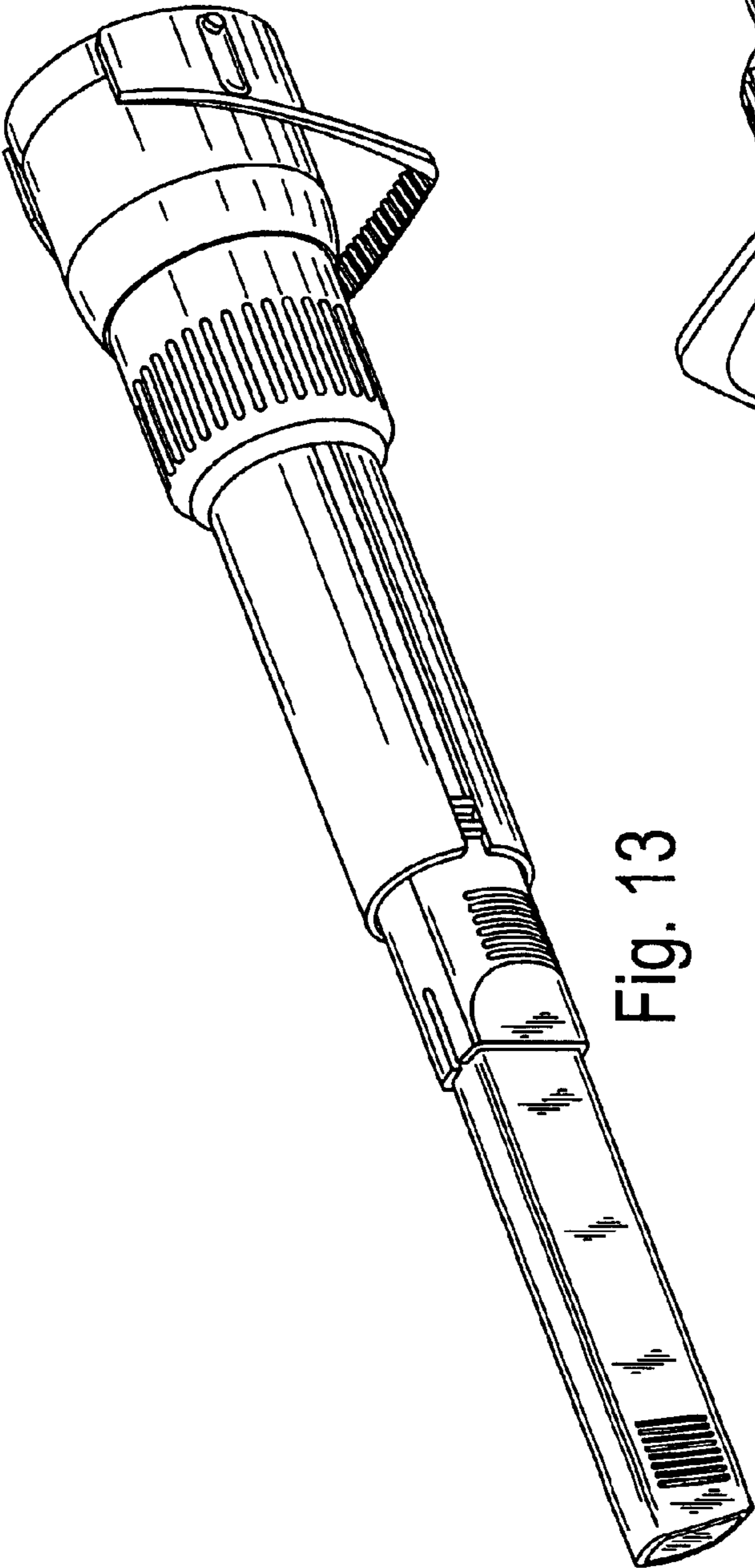


Fig. 13

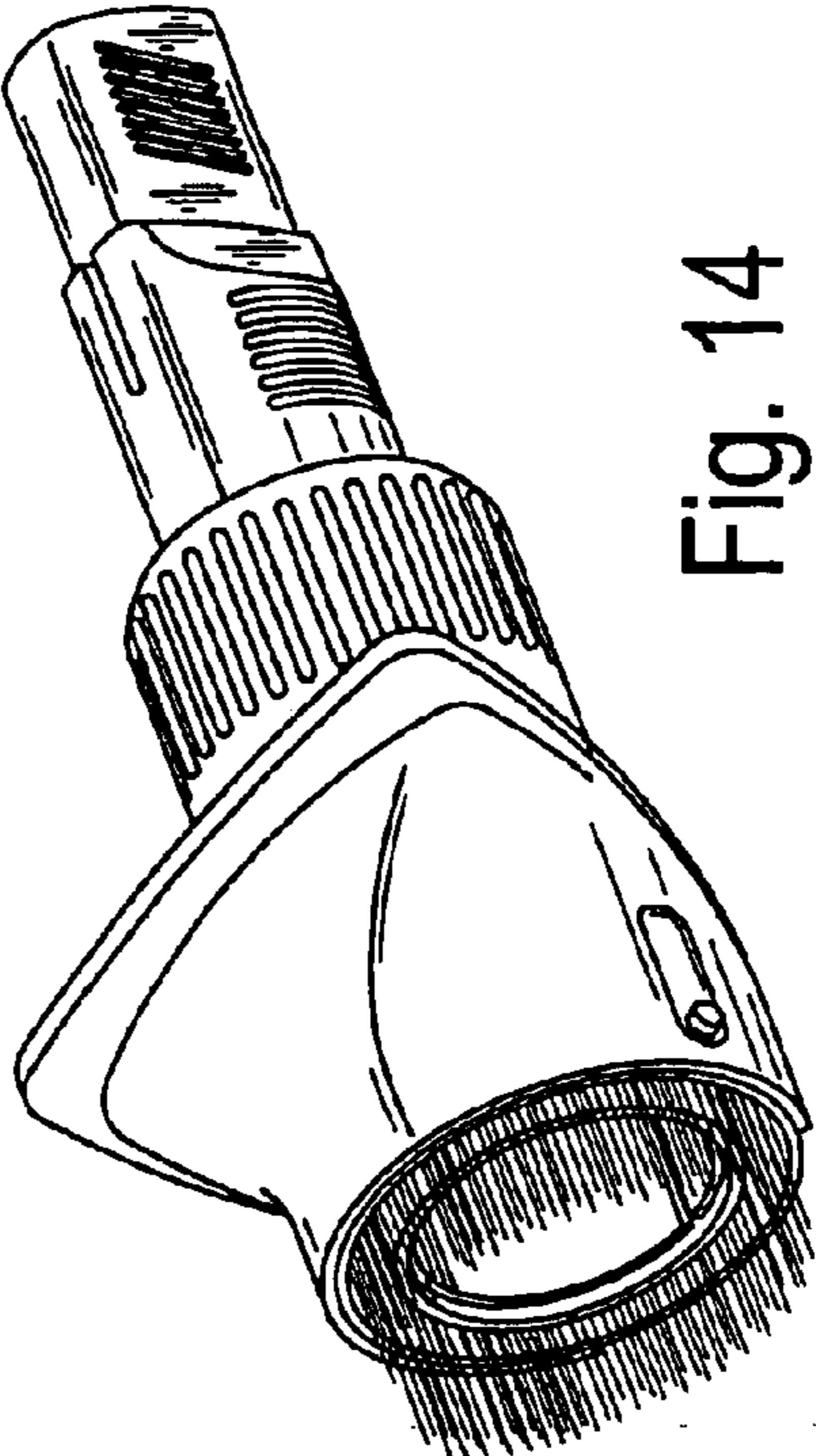


Fig. 14

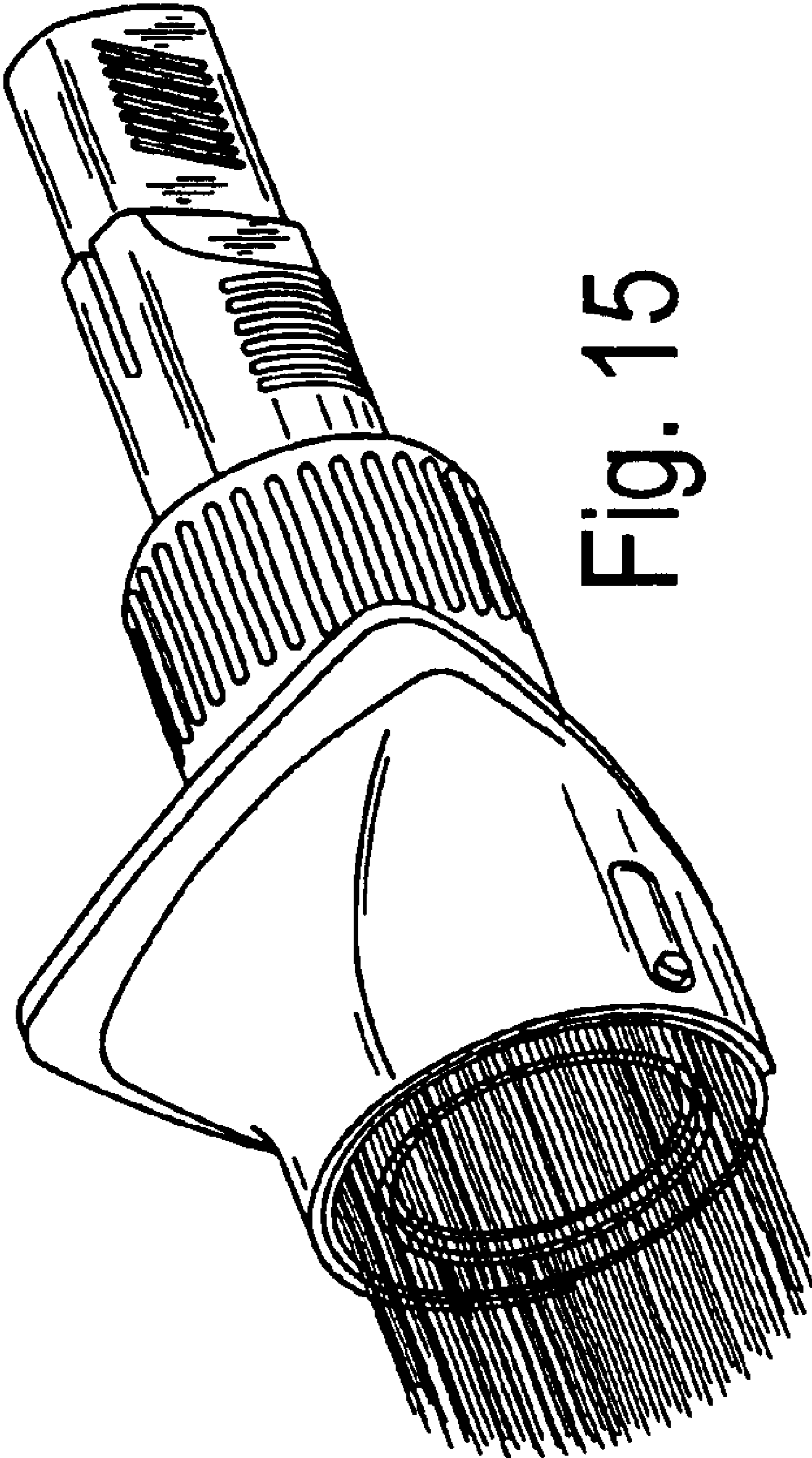


Fig. 15