

US00D506042S

(12) **United States Design Patent**
Griffin et al.

(10) **Patent No.: US D506,042 S**
(45) **Date of Patent: ** Jun. 7, 2005**

(54) **COMBINATION WET/DRY VACUUM CLEANER**

(75) Inventors: **John Griffin**, Phoenix, AZ (US); **Kevin Fry**, South Williamsport, PA (US); **Robert L. Crevling, Jr.**, Cogan Station, PA (US)

(73) Assignee: **Shop Vac Corporation**, Williamsport, PA (US)

(**) Term: **14 Years**

D426,355 S	6/2000	Rohn et al.	
D426,359 S	6/2000	Griffin et al.	
D429,856 S	8/2000	Griffin	
D438,353 S	2/2001	Hoshino et al.	
D438,678 S	3/2001	Griffin	
D439,710 S	3/2001	Griffin	
6,243,913 B1 *	6/2001	Frank et al.	15/320
D446,659 S	8/2001	Ludwig et al.	
D447,293 S	8/2001	Griffin	
D469,934 S	2/2003	Fry et al.	
D470,280 S	2/2003	Griffin et al.	
D496,764 S *	9/2004	Lopano	D32/21
D498,886 S *	11/2004	Fujii	D32/21

(21) Appl. No.: **29/206,484**

(22) Filed: **Jun. 1, 2004**

(51) **LOC (8) Cl.** **15-05**

(52) **U.S. Cl.** **D32/21**

(58) **Field of Search** D32/21, 23-24,
D32/31-33; 15/320-322, 327.1, 327.2,
327.4, 327.6, 327.7, 347, 353, 412, 414;
55/DIG. 3, 345

(56) **References Cited**

U.S. PATENT DOCUMENTS

D318,544 S *	7/1991	Schoettler	D32/24
D341,008 S *	11/1993	Berfield et al.	D32/1
5,301,386 A *	4/1994	Thomas et al.	15/321
D358,010 S	5/1995	Berfield et al.	
5,528,794 A	6/1996	Tomasiak	
5,535,500 A	7/1996	Stephens et al.	
D383,573 S *	9/1997	Saunders	D32/21
D384,447 S *	9/1997	Lauer et al.	D32/21
D386,842 S *	11/1997	Hoshino et al.	D32/21
D388,565 S	12/1997	Pietroban	
D389,962 S	1/1998	Berfield et al.	
5,784,753 A *	7/1998	Kaczmarz et al.	15/319
5,954,863 A	9/1999	Loveless et al.	
D422,764 S	4/2000	Wood	
D424,764 S *	5/2000	Collins et al.	D32/21
6,055,700 A	5/2000	Holsten et al.	

OTHER PUBLICATIONS

U.S. Appl. No. 29/206,583, filed Jun. 1, 2004, Griffin et al. Karcher Catalogue, High Performance Wet and Dry Vacuum, Dust Extraction and Spray Extraction Machines, dated 1999. (2 pgs).

* cited by examiner

Primary Examiner—Ruth McInroy

(74) *Attorney, Agent, or Firm*—Marshall, Gerstein & Borun LLP

(57) **CLAIM**

The ornamental design for a “combination wet/dry vacuum cleaner,” as shown and described.

DESCRIPTION

FIG. 1 is a left side perspective view of a combination wet/dry vacuum cleaner showing our new design; FIG. 2 is a front elevational view thereof; FIG. 3 is a rear elevational view thereof; FIG. 4 is a left side elevational view; the right side elevational view being a mirror image thereof; and, FIG. 5 is a top plan view thereof. The details shown in broken lines are for illustrative purposes only and form no part of the claimed design.

1 Claim, 5 Drawing Sheets

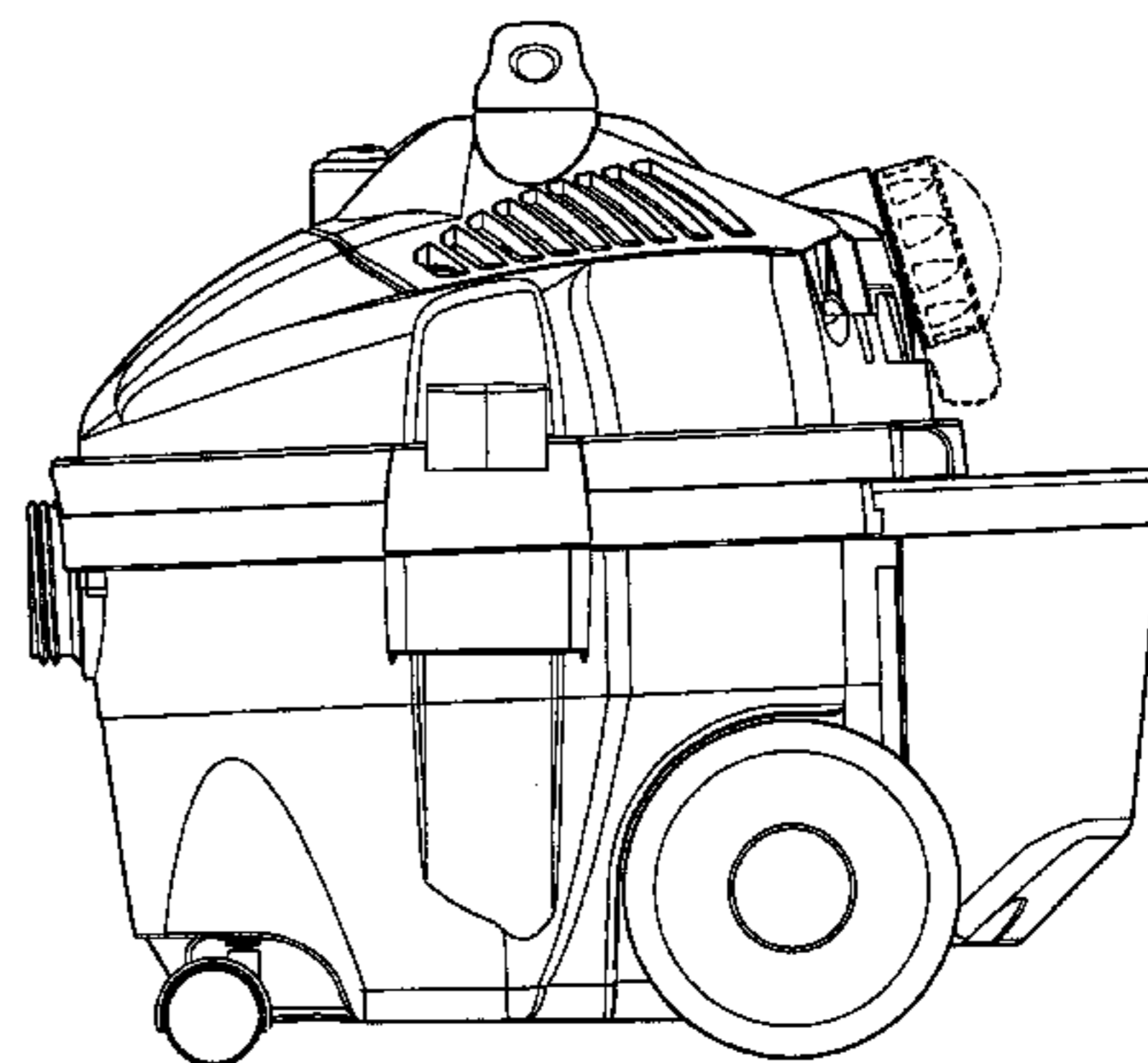
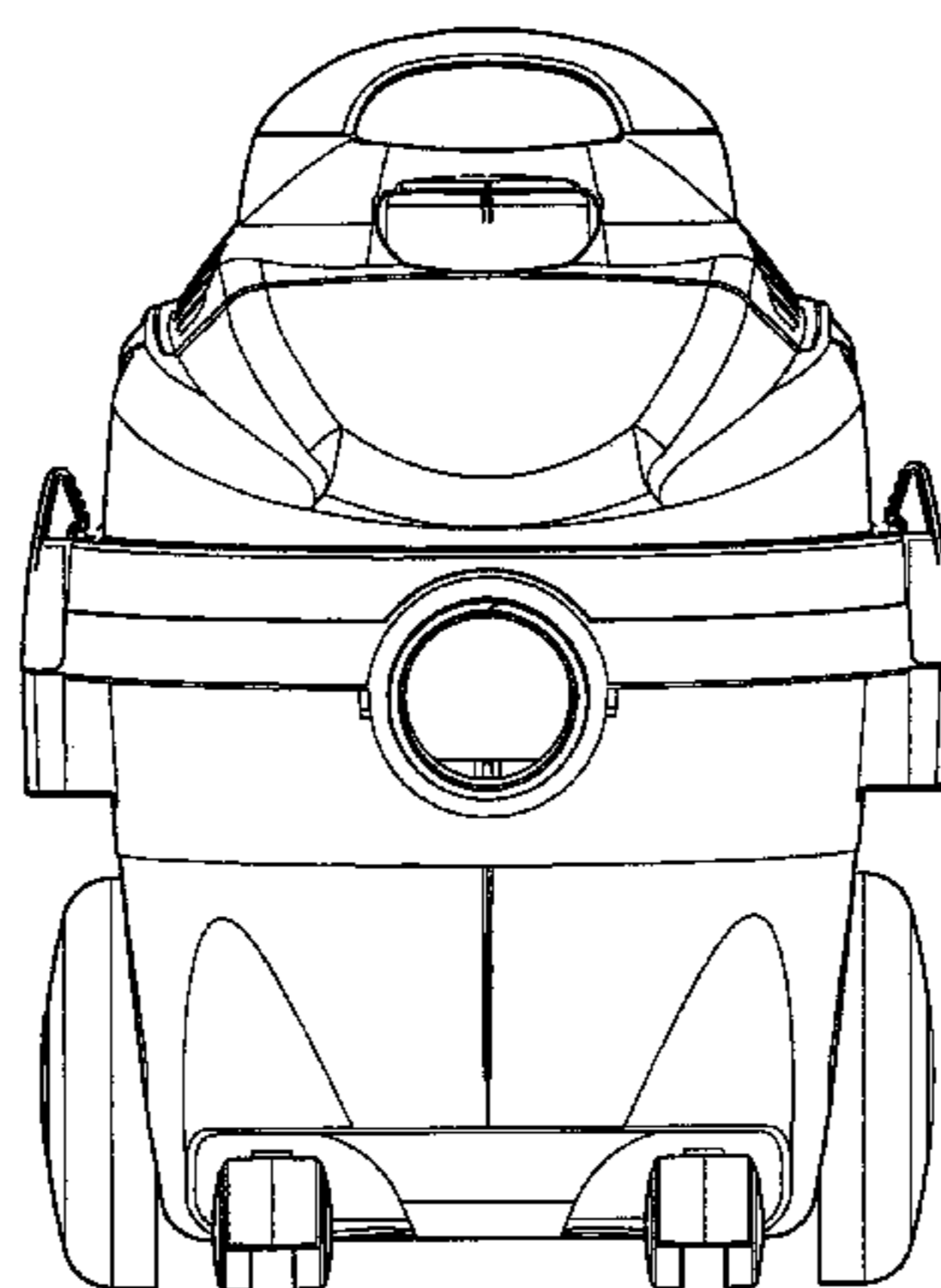
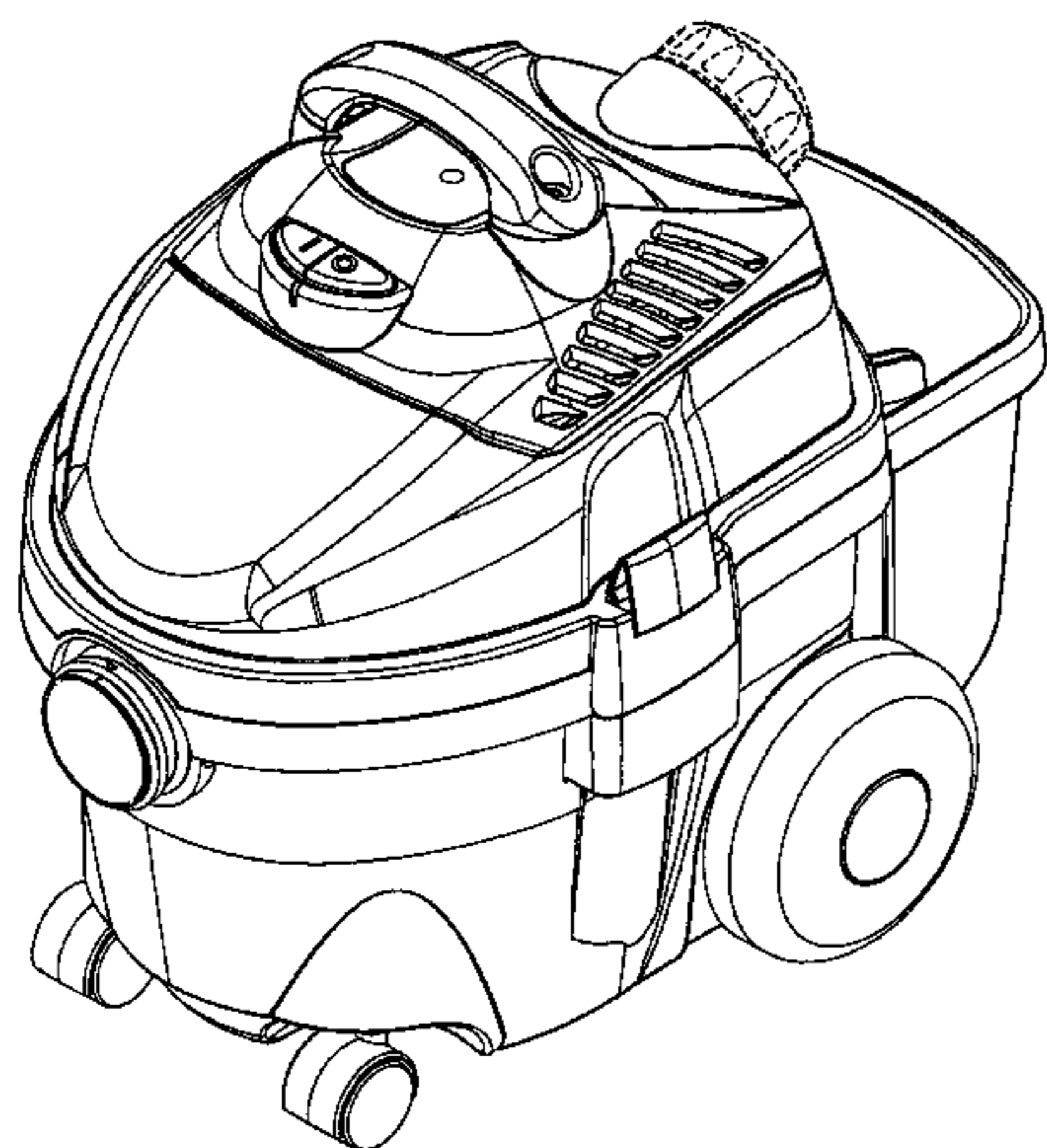


FIG. 1

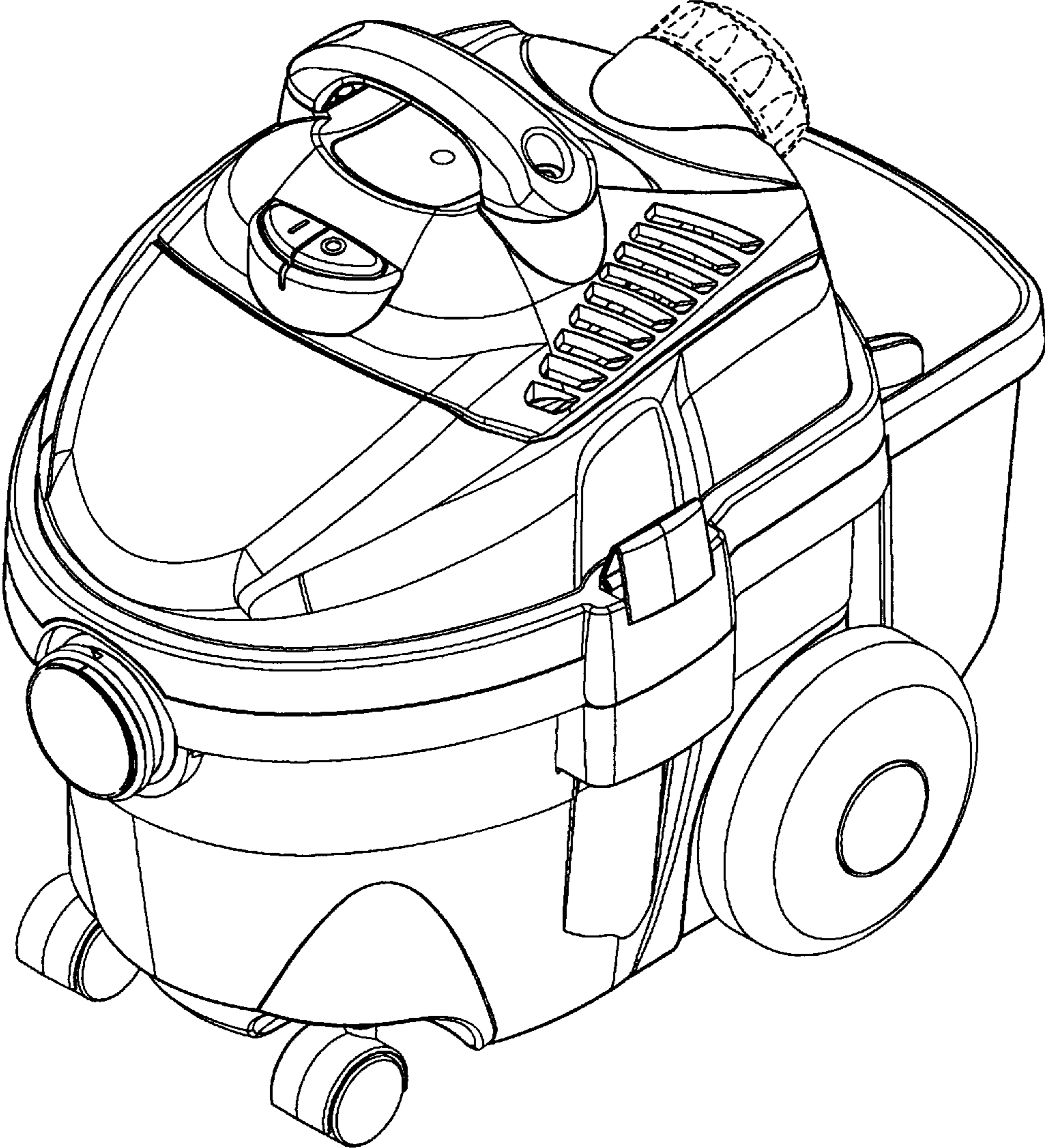


FIG. 2

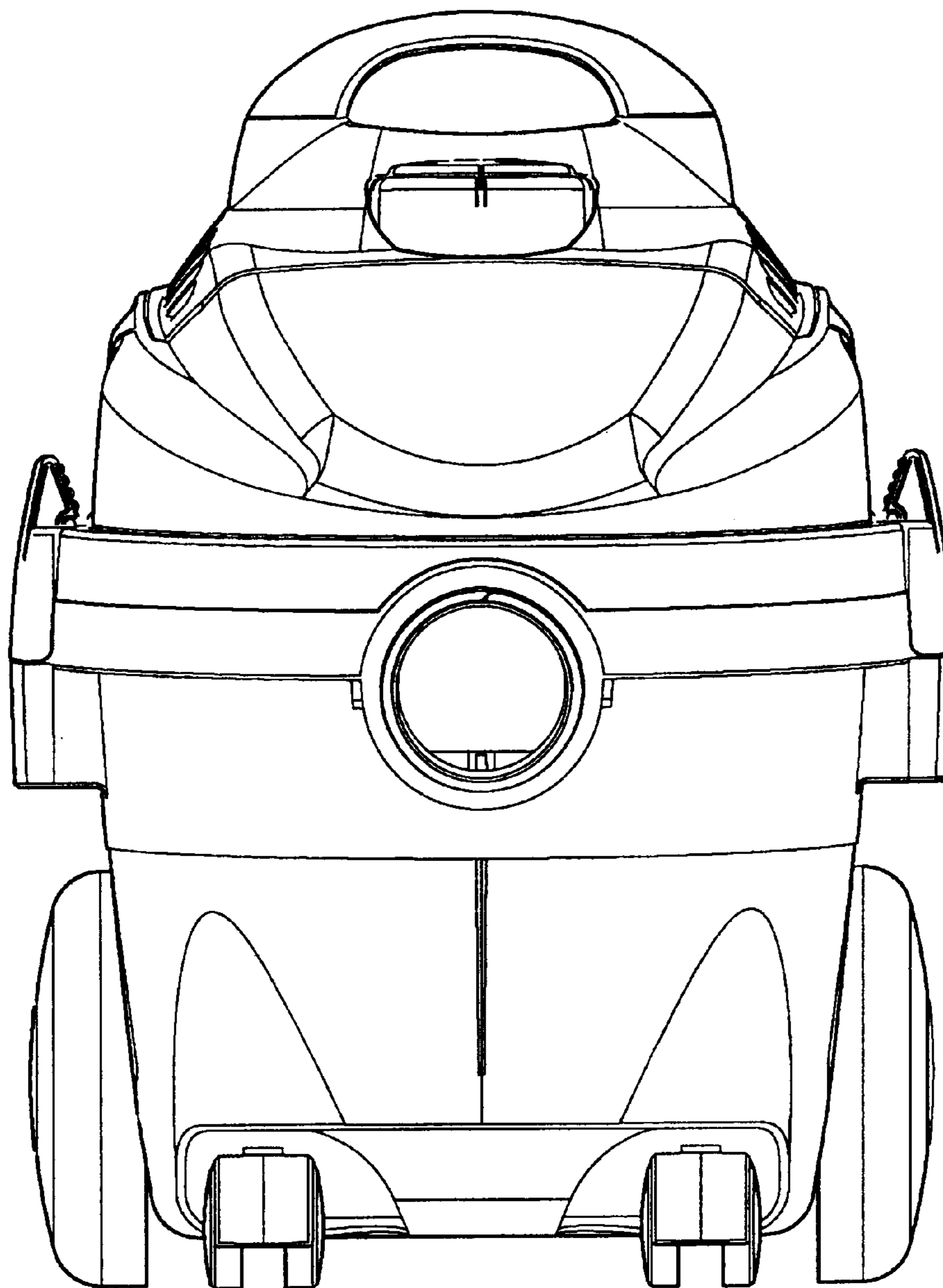


FIG. 3

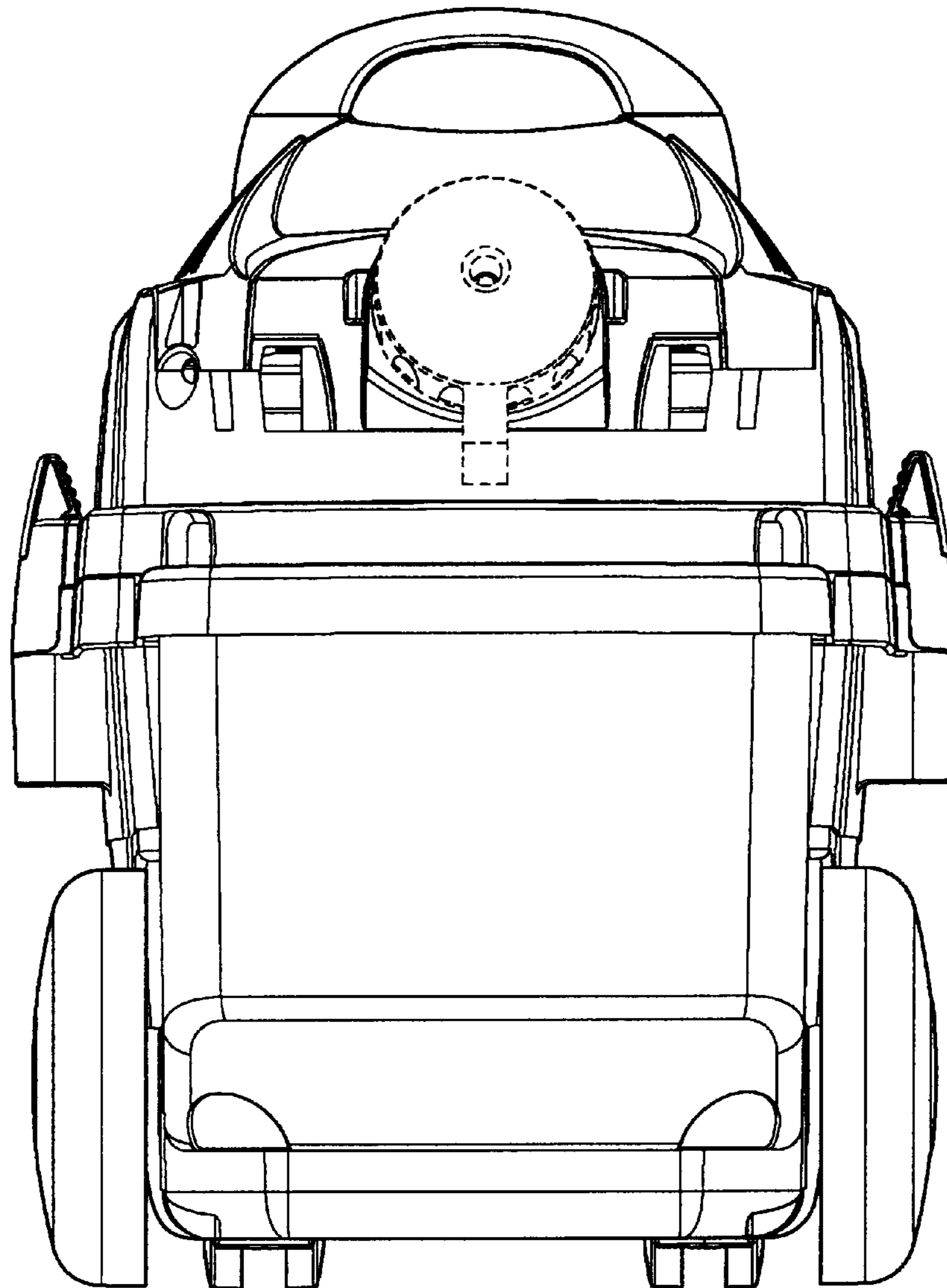


FIG. 4

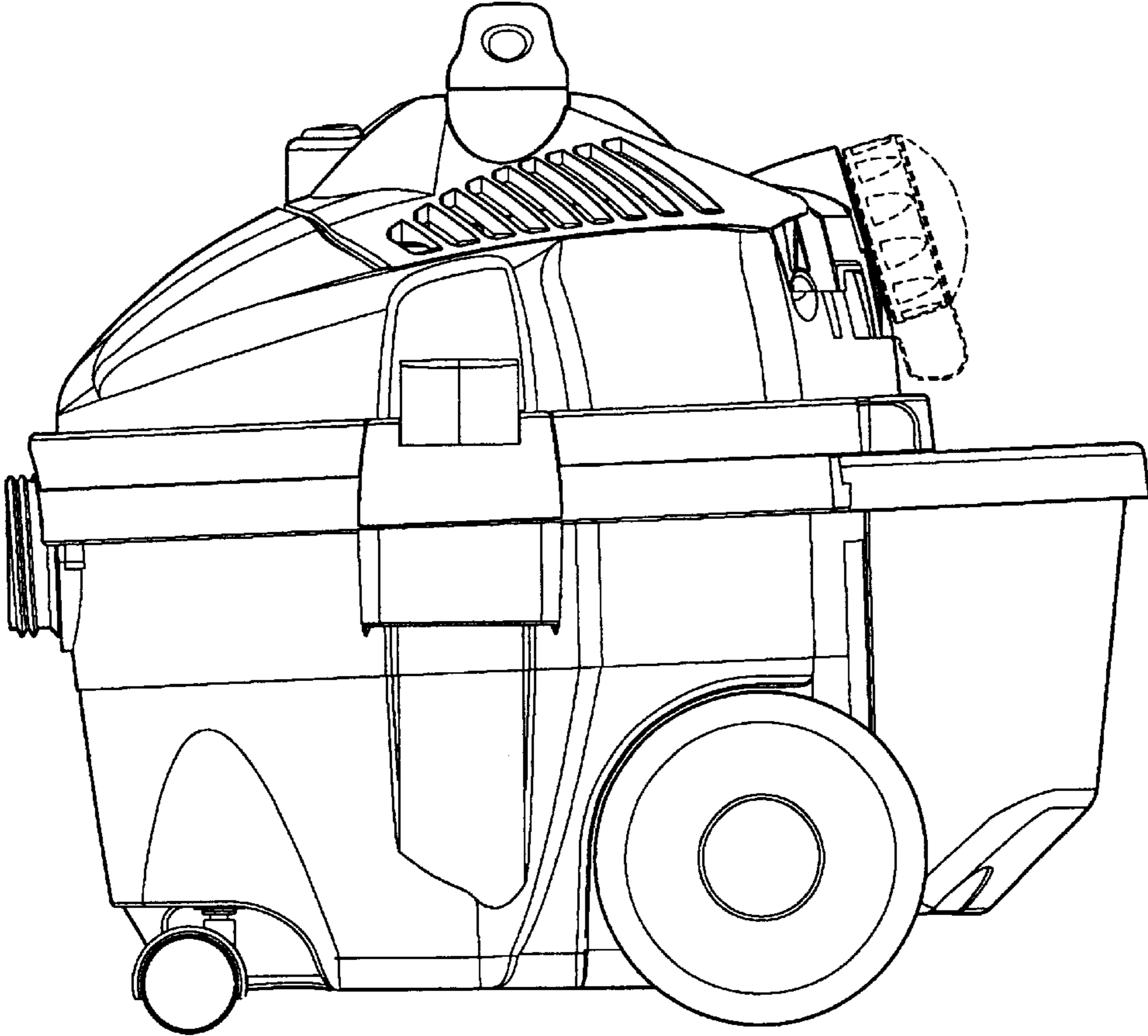


FIG. 5

