

US00D506040S

(12) **United States Design Patent**
Swyst et al.

(10) **Patent No.:** **US D506,040 S**
(45) **Date of Patent:** **** Jun. 7, 2005**

- (54) **EQUINE SWEAT SCRAPER**
- (75) Inventors: **Thomas Swyst**, Arlington, MA (US);
Augusto A. Picozza, Boca Raton, FL (US); **Gustavo Fontana**, Cambridge, MA (US)
- (73) Assignee: **Sunbeam Products, Inc.**, Boca Raton, FL (US)
- (**) Term: **14 Years**
- (21) Appl. No.: **29/189,510**
- (22) Filed: **Sep. 5, 2003**
- (51) **LOC (8) Cl.** **30-99**
- (52) **U.S. Cl.** **D30/158**; 119/623
- (58) **Field of Search** D30/158, 199;
119/600, 611, 613, 623; D32/46, 49; D7/688;
15/236.01, 236.07; 294/1.1

- 2,238,745 A * 4/1941 Miller 15/105
- D220,593 S * 4/1971 Burnhill D24/149
- D254,326 S * 2/1980 Nevrekar D24/149
- 4,197,017 A * 4/1980 Whelan 366/343
- D358,683 S * 5/1995 Bianco D28/62
- D469,587 S * 1/2003 Ehrmann D30/158

* cited by examiner

Primary Examiner—Stella Reid
Assistant Examiner—Susan M Lee

(74) *Attorney, Agent, or Firm*—Lawrence J. Shurupoff

(57) **CLAIM**

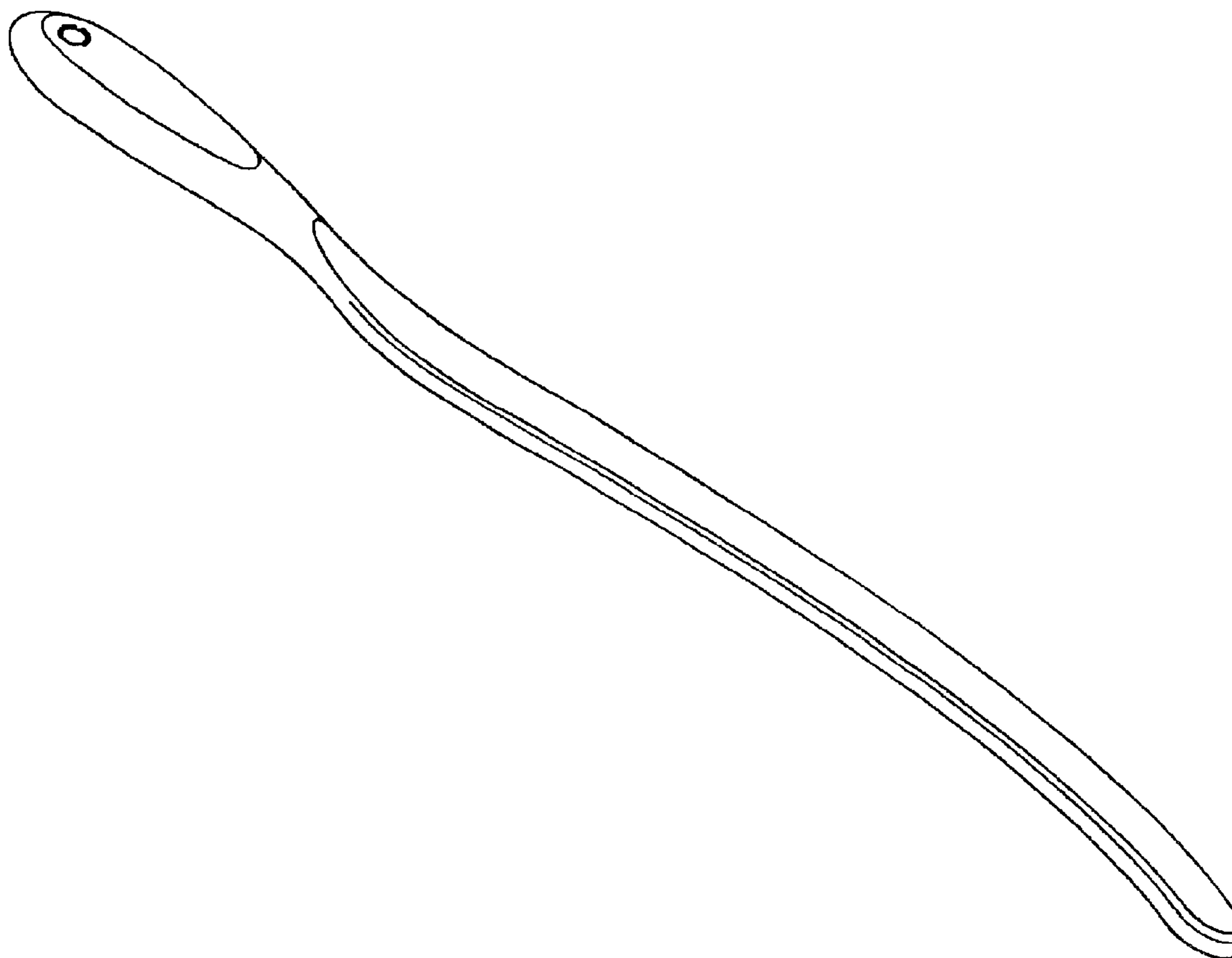
The ornamental design for an equine sweat scraper, as shown and described.

DESCRIPTION

FIG. 1 is a top left perspective view of the equine sweat scraper showing the new design thereof; FIG. 2 is a top plan view thereof; FIG. 3 is a right side view; FIG. 4 is a bottom plan view thereof; FIG. 5 is a front view of FIG. 1 thereof; FIG. 6 is a rear view of FIG. 1 thereof; and, FIG. 7 is an enlarged view of the region circled in FIG. 5.

1 Claim, 2 Drawing Sheets

- (56) **References Cited**
U.S. PATENT DOCUMENTS
- 227,362 A * 5/1880 Judson 119/623
- 334,198 A * 1/1886 Sanford 119/623
- D35,243 S * 10/1901 Todd D32/49
- 1,141,917 A * 6/1915 Anderson 119/623



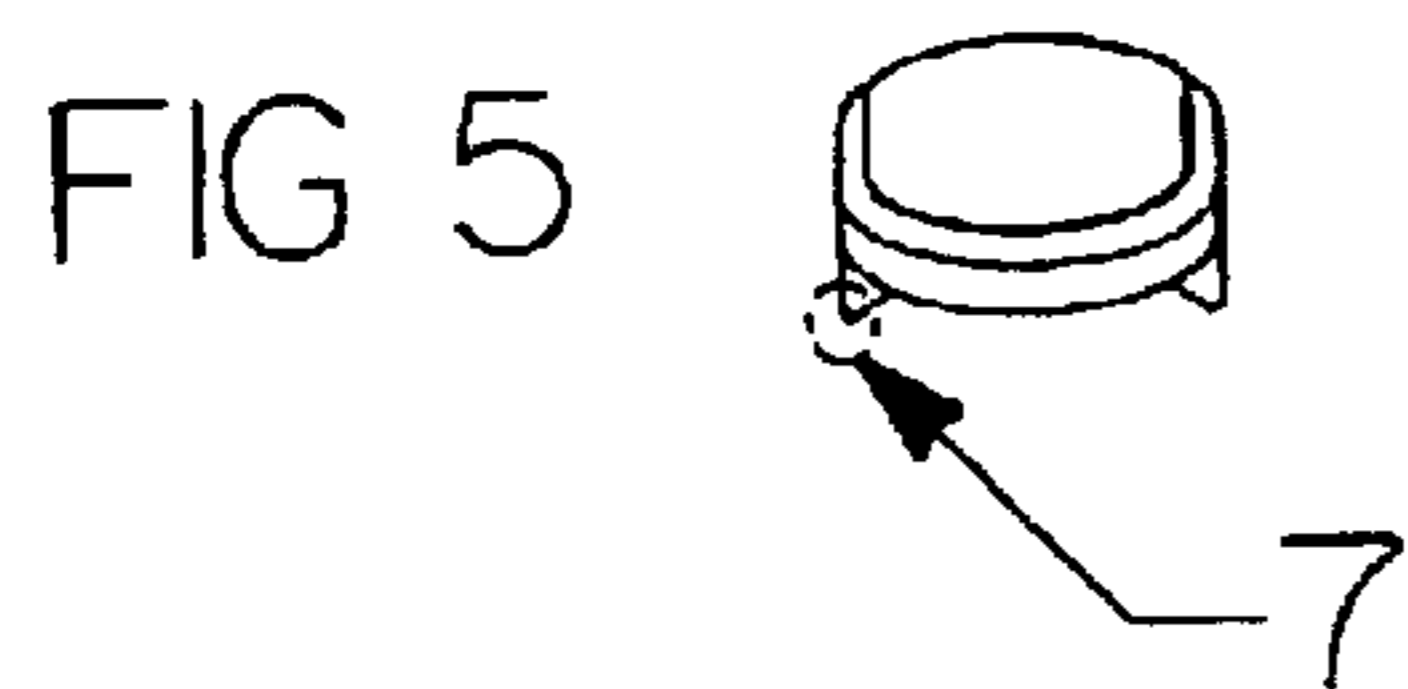
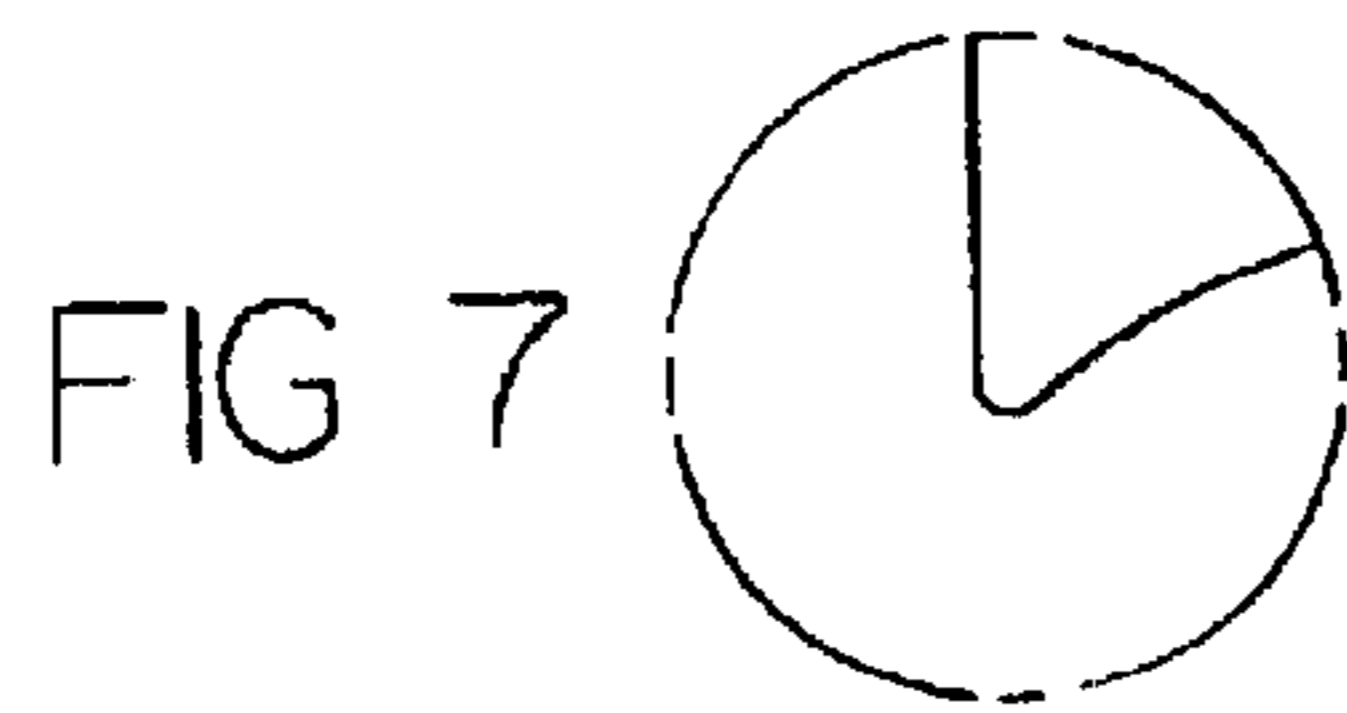
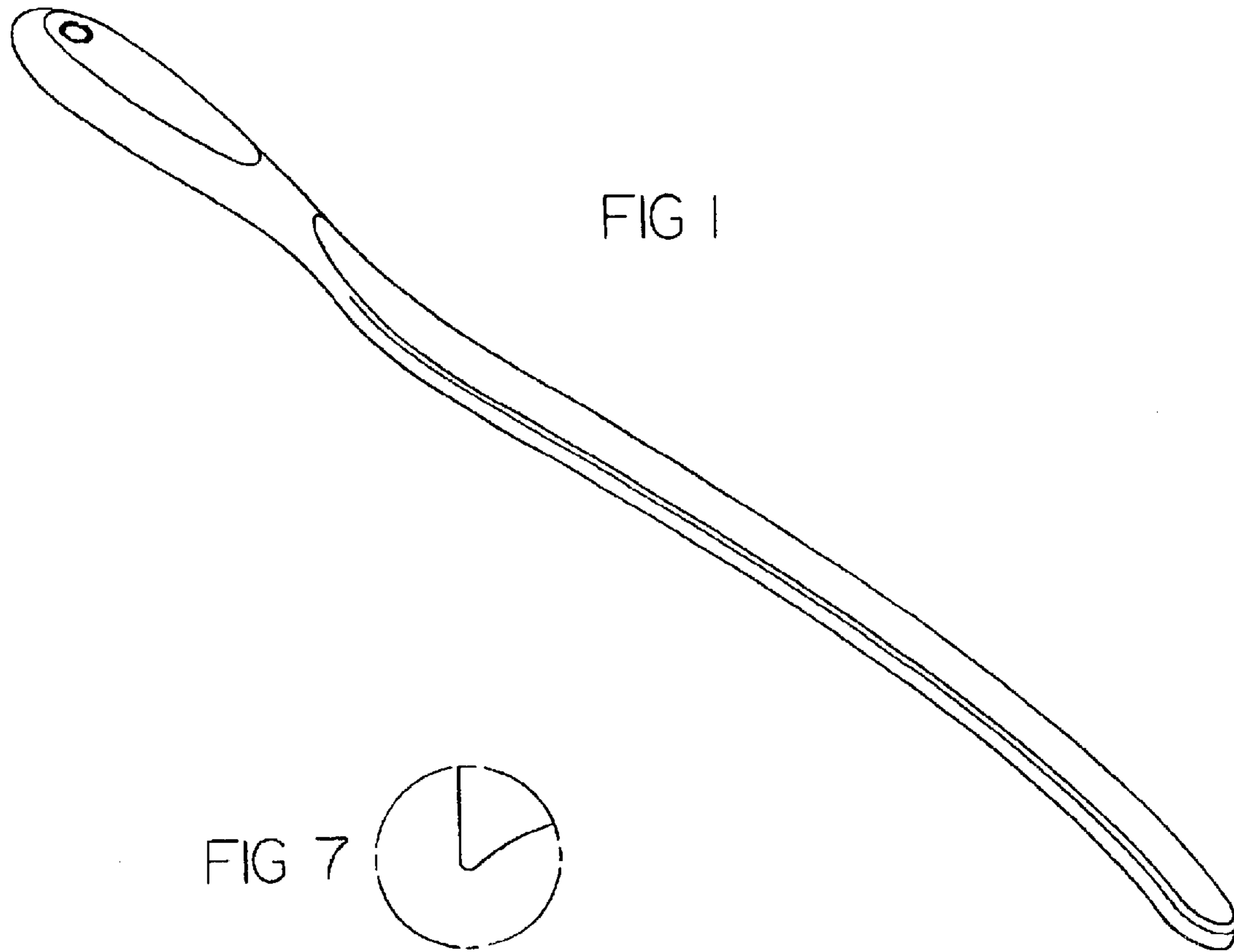


FIG 2

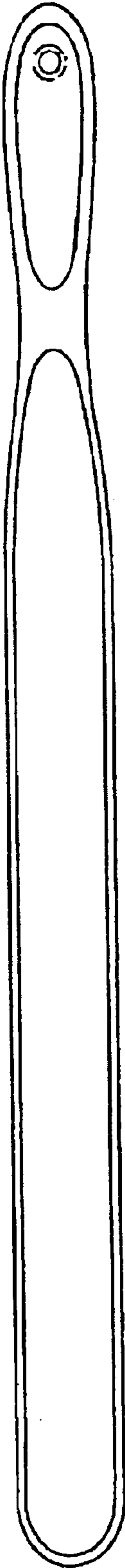


FIG 3

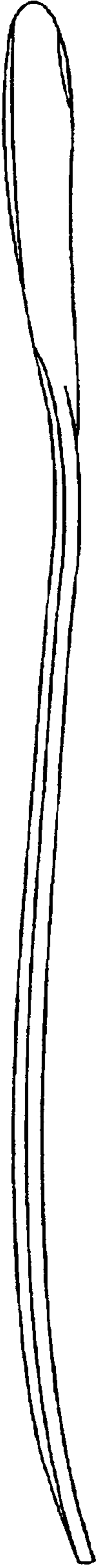


FIG 4

