

US00D506031S

(12) **United States Design Patent**  
**Cho**

(10) **Patent No.:** **US D506,031 S**  
(45) **Date of Patent:** **\*\* Jun. 7, 2005**

(54) **HAIR IRON**

(76) **Inventor:** **Ok Nam Cho**, 791-1987, Mia-1 Dong,  
Kangbuck-Gu, Seoul (KR)

(\*\*) **Term:** **14 Years**

(21) **Appl. No.:** **29/185,130**

(22) **Filed:** **Jun. 23, 2003**

(30) **Foreign Application Priority Data**

Mar. 24, 2003 (KR) ..... 30-2003-0008028

(51) **LOC (8) Cl.** ..... **28-03**

(52) **U.S. Cl.** ..... **D28/35**

(58) **Field of Search** ..... D28/35, 37, 38;  
132/223-226, 229, 232; 219/222, 225

(56) **References Cited**

**U.S. PATENT DOCUMENTS**

D440,710 S \* 4/2001 Kaizuka ..... D28/35

D480,176 S \* 9/2003 Ouellette ..... D28/35  
2002/0036000 A1 \* 3/2002 Hirata et al. .... 132/224

\* cited by examiner

*Primary Examiner*—Jennifer Rivard  
(74) *Attorney, Agent, or Firm*—Steven N. Fox, Esq.

(57) **CLAIM**

The ornamental design for a “hair iron,” as shown and described.

**DESCRIPTION**

FIG. 1 is a perspective view of the present invention;  
FIG. 2 is a front elevation view of the present invention;  
FIG. 3 is a rear elevation view of the present invention;  
FIG. 4 is a left side elevation view of the present invention;  
FIG. 5 is a right side elevation view of the present invention;  
FIG. 6 is a top plan view of the present invention; and,  
FIG. 7 is a bottom plan view of the present invention.

**1 Claim, 3 Drawing Sheets**

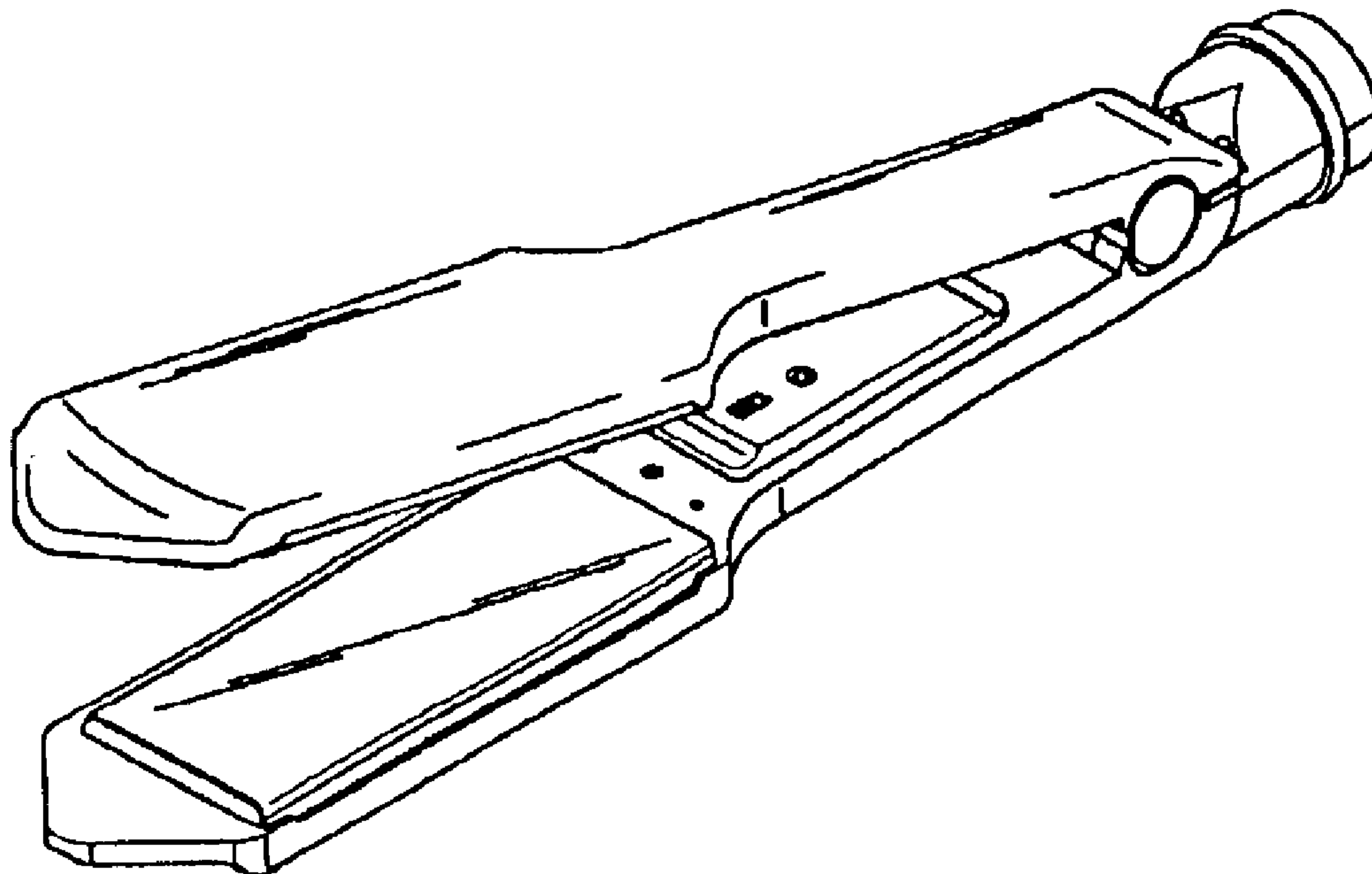


Fig. 1

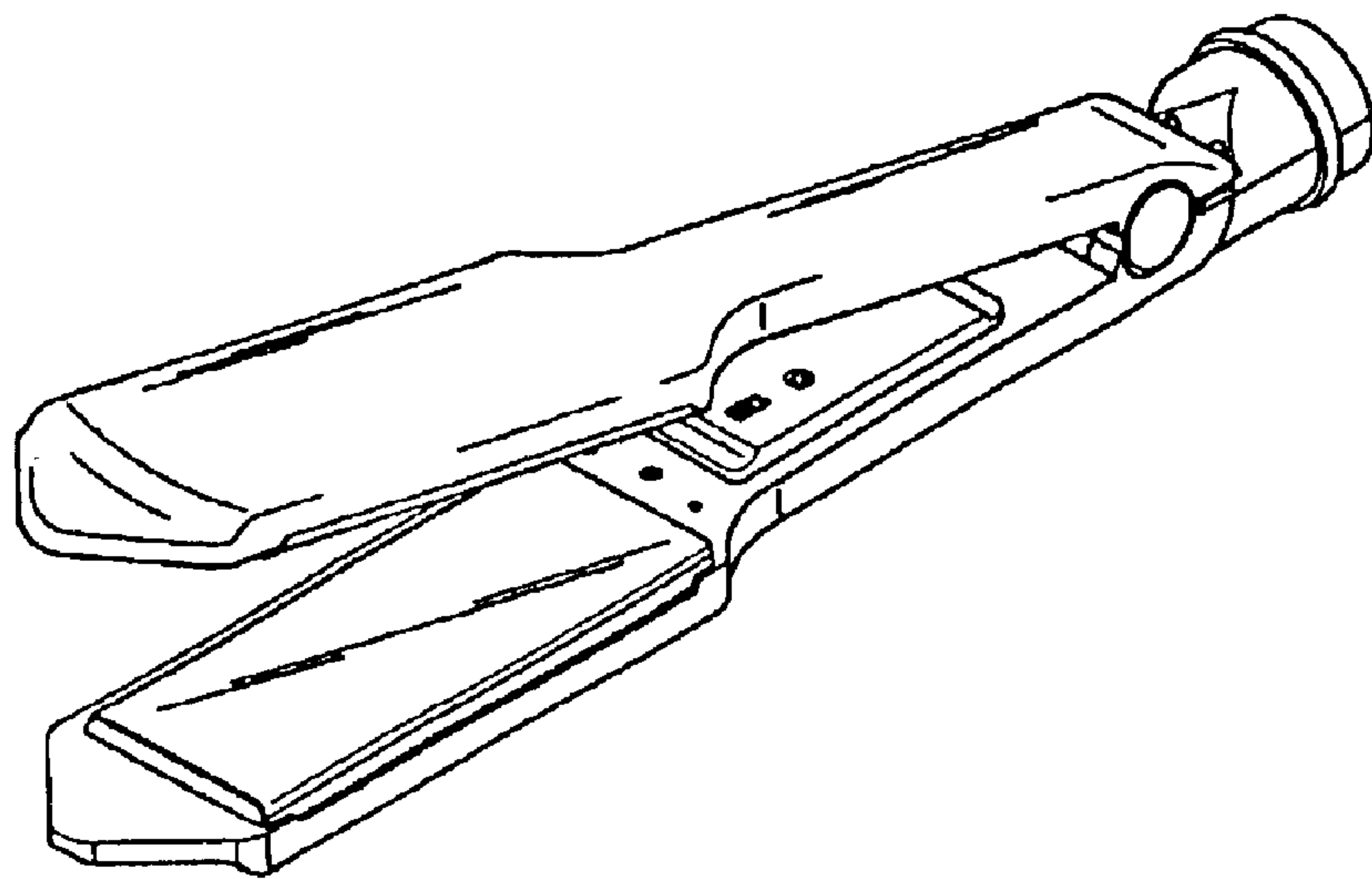


Fig. 2

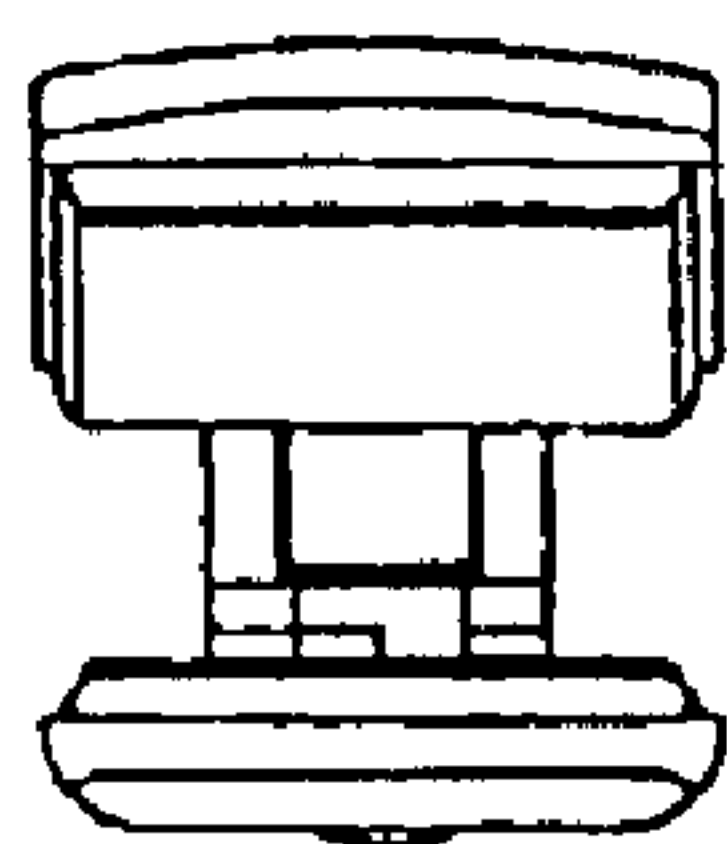


Fig. 3

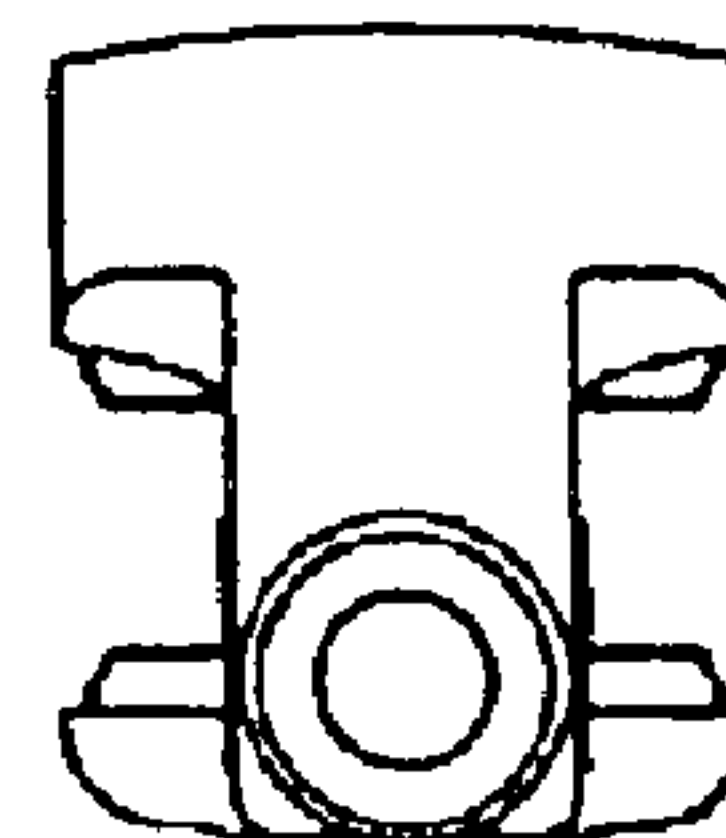


Fig. 4

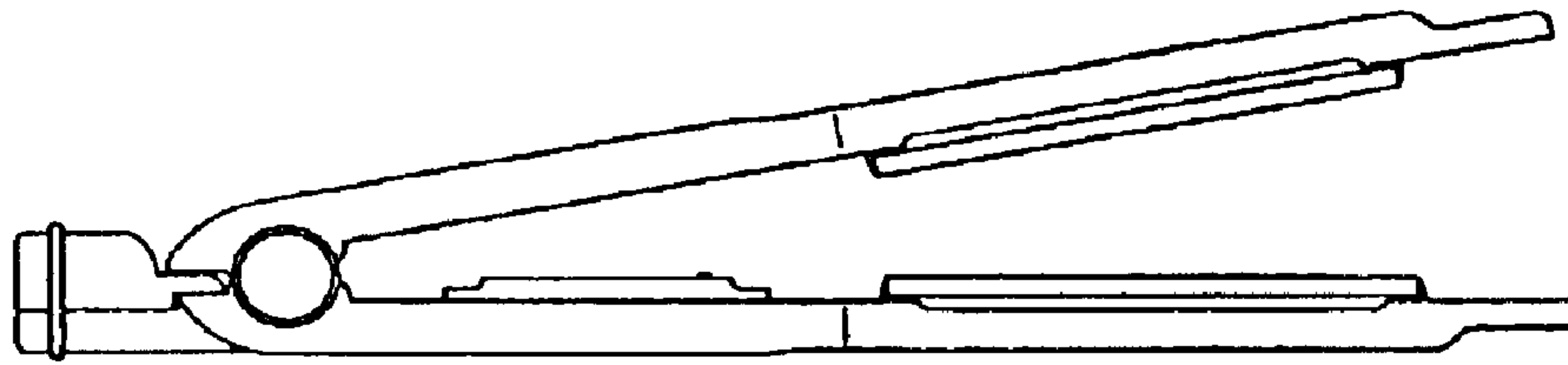


Fig. 5

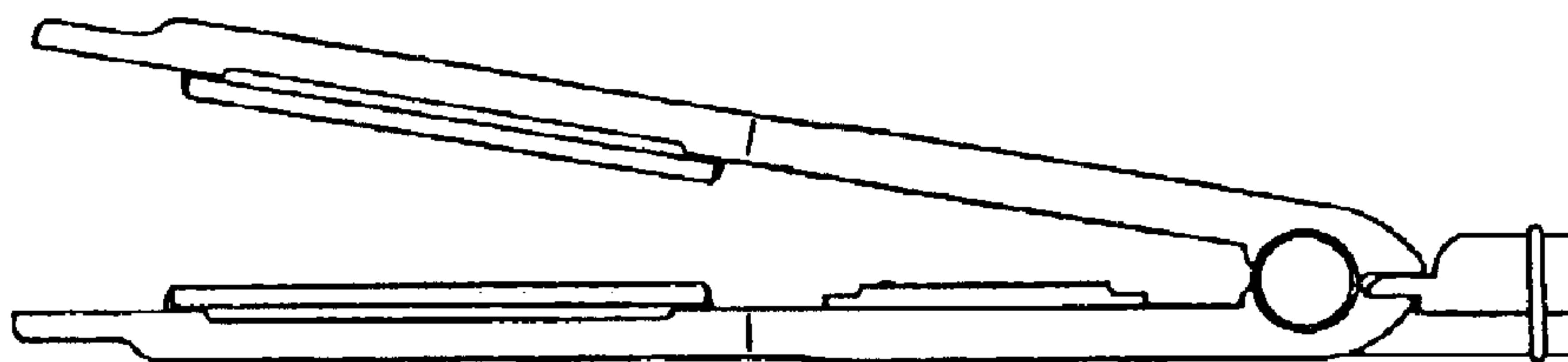


Fig. 6

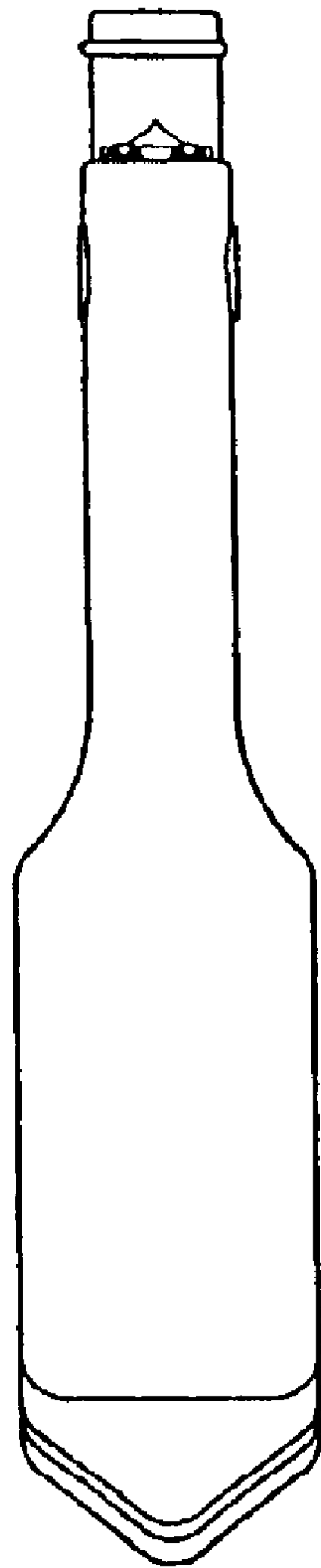


Fig. 7

