

US00D506029S

(12) **United States Design Patent**  
**Angeletta**

(10) **Patent No.:** **US D506,029 S**  
(45) **Date of Patent:** **\*\* Jun. 7, 2005**

(54) **EXTENSION STRUCTURE FOR A LIQUID AND LOTION APPLICATOR**

(76) Inventor: **Joseph G. Angeletta**, 418 Fifth St., Mamaroneck, NY (US) 10543

(\*\*) Term: **14 Years**

(21) Appl. No.: **29/202,874**

(22) Filed: **Apr. 6, 2004**

**Related U.S. Application Data**

(62) Division of application No. 29/143,910, filed on Jun. 21, 2001, now Pat. No. Des. 490,563.

(51) **LOC (8) Cl.** ..... **28-02**

(52) **U.S. Cl.** ..... **D28/7**

(58) **Field of Search** ..... D28/7, 63; D24/119; D4/114, 137, 116, 138; D32/45, 51; 132/320, 317; 401/6, 187, 202-207, 261-266, 196; 15/244.1, 104.94, 209.1, 176, 210.1; D9/447

(56) **References Cited**

**U.S. PATENT DOCUMENTS**

D252,250 S \* 7/1979 Hobbs ..... D32/45  
4,329,990 A \* 5/1982 Sneider ..... 604/2

D268,989 S \* 5/1983 Douglas ..... D9/529  
D271,179 S \* 11/1983 Smith ..... D4/116  
D318,180 S \* 7/1991 Yip Kai-Wing ..... D4/138  
D318,233 S \* 7/1991 Ackerman ..... D9/447  
5,065,913 A \* 11/1991 Glasener ..... 222/528  
5,322,382 A \* 6/1994 Hull et al. .... 401/202  
D384,184 S \* 9/1997 Dewey ..... D28/7

\* cited by examiner

*Primary Examiner*—Lucy Lieberman

(74) *Attorney, Agent, or Firm*—Scully, Scott, Murphy & Presser

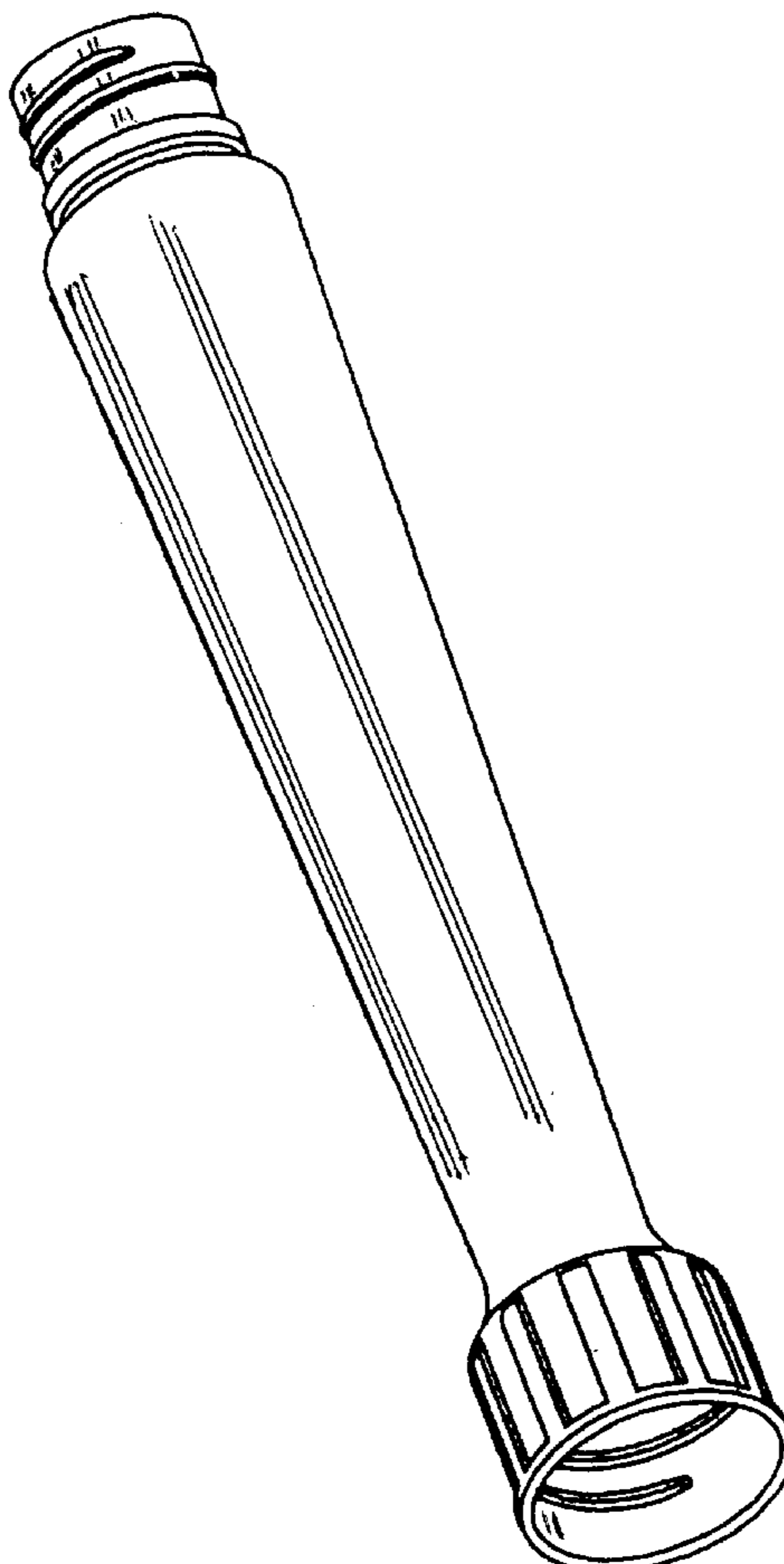
(57) **CLAIM**

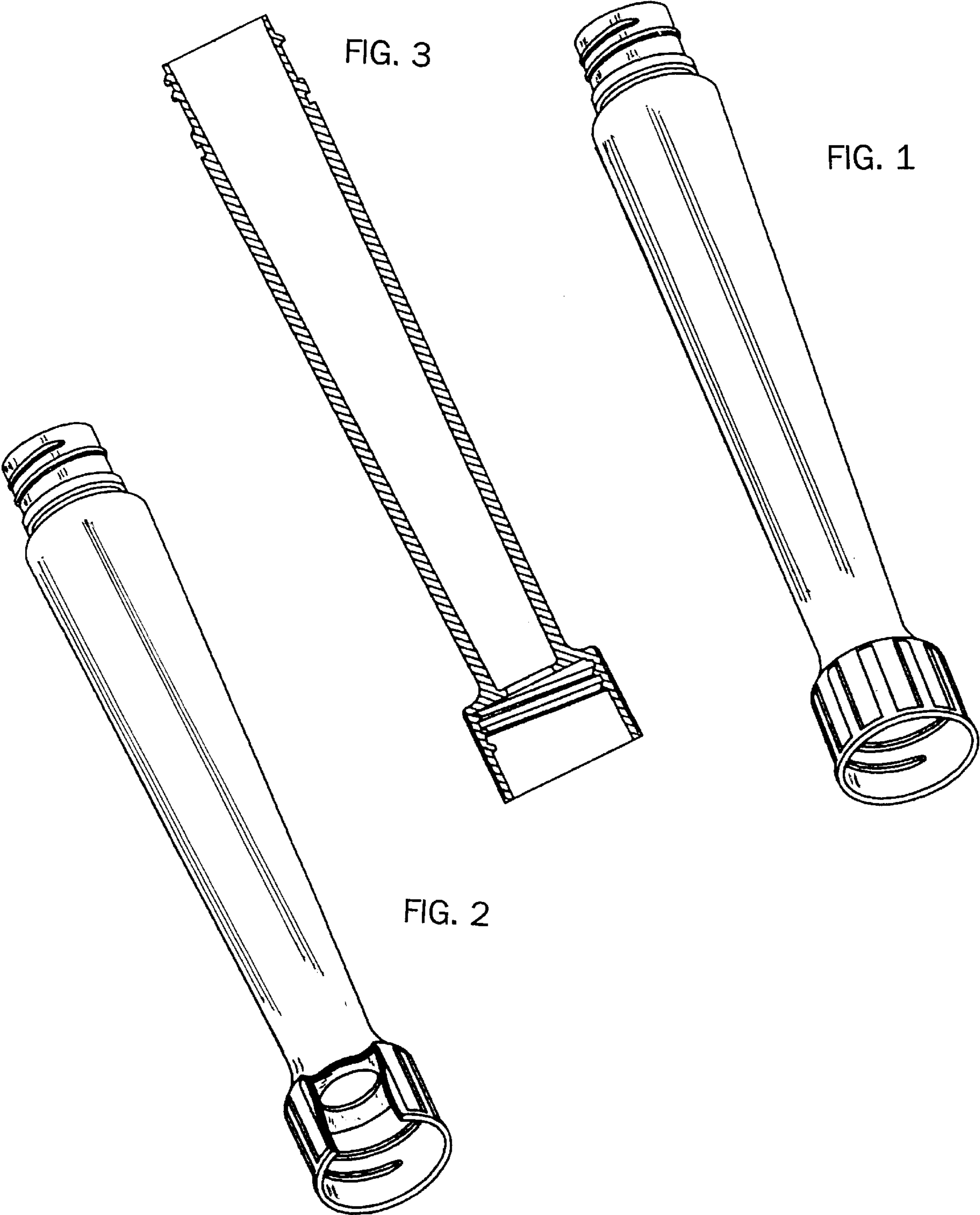
The ornamental design for an extension structure for a liquid and lotion applicator, as shown and described.

**DESCRIPTION**

FIG. 1 is a perspective view of an extension structure for a liquid and lotion applicator showing my new design; FIG. 2 is a fragmentary perspective view thereof shown with a portion of the extension structure for a liquid and lotion applicator broken away for clarity of illustration; FIG. 3 illustrates a longitudinal sectional view thereof; and, FIG. 4 is a side view thereof.

**1 Claim, 2 Drawing Sheets**





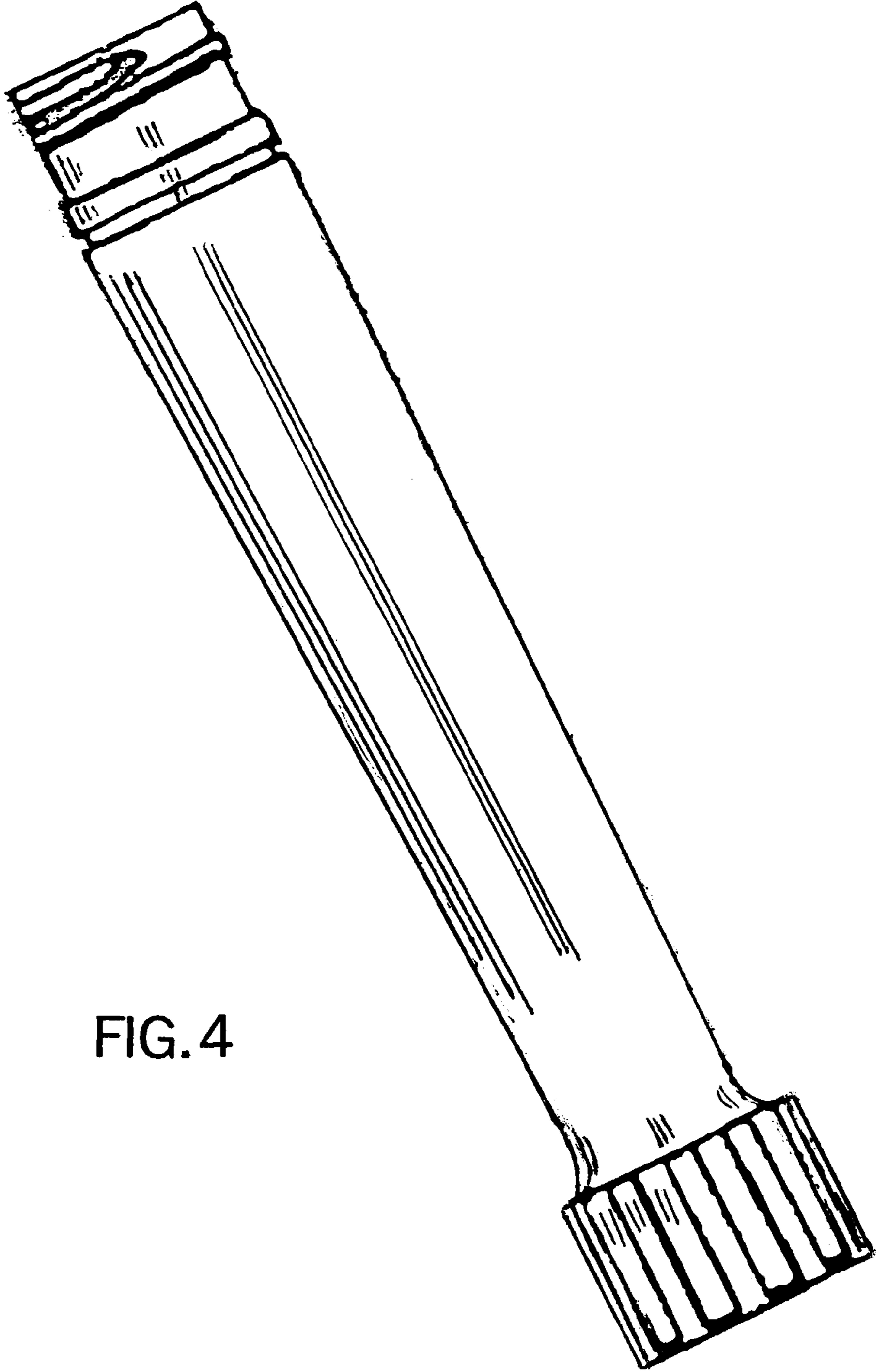


FIG. 4