

US00D506021S

(12) **United States Design Patent**
Elliott

(10) **Patent No.:** **US D506,021 S**
(45) **Date of Patent:** **** Jun. 7, 2005**

(54) **AMERICAN INDIAN LIGHT FIXTURE**

Primary Examiner—Alan P. Douglas
Assistant Examiner—Linda Brooks

(76) **Inventor:** **Stephen R. Elliott**, 660 Georgia Ave.,
Suite 100, Chattanooga, TN (US) 37402

(57) **CLAIM**

(**) **Term:** **14 Years**

I claim the ornamental design for an American Indian light fixture, as shown and described.

(21) **Appl. No.:** **29/194,727**

(22) **Filed:** **Dec. 1, 2003**

DESCRIPTION

(51) **LOC (8) Cl.** **26-03**

FIG. 1 is a perspective view of an American Indian light fixture, which uses American Indian cultural symbols, showing my new design;

(52) **U.S. Cl.** **D26/94**

FIG. 2 is a front view thereof;

(58) **Field of Search** D26/93-96, 98-99,
D26/104, 106, 108; 362/410-414, 806,
808; D11/133-137

FIG. 3 is a rear view thereof;

(56) **References Cited**
PUBLICATIONS

FIG. 4 is a right side view thereof;

Rawhide Shades of Taos (a Division of Taos Drums) Collection Lamps shown in sales brochure received Aug. 1, 1997, pages unnumbered.*

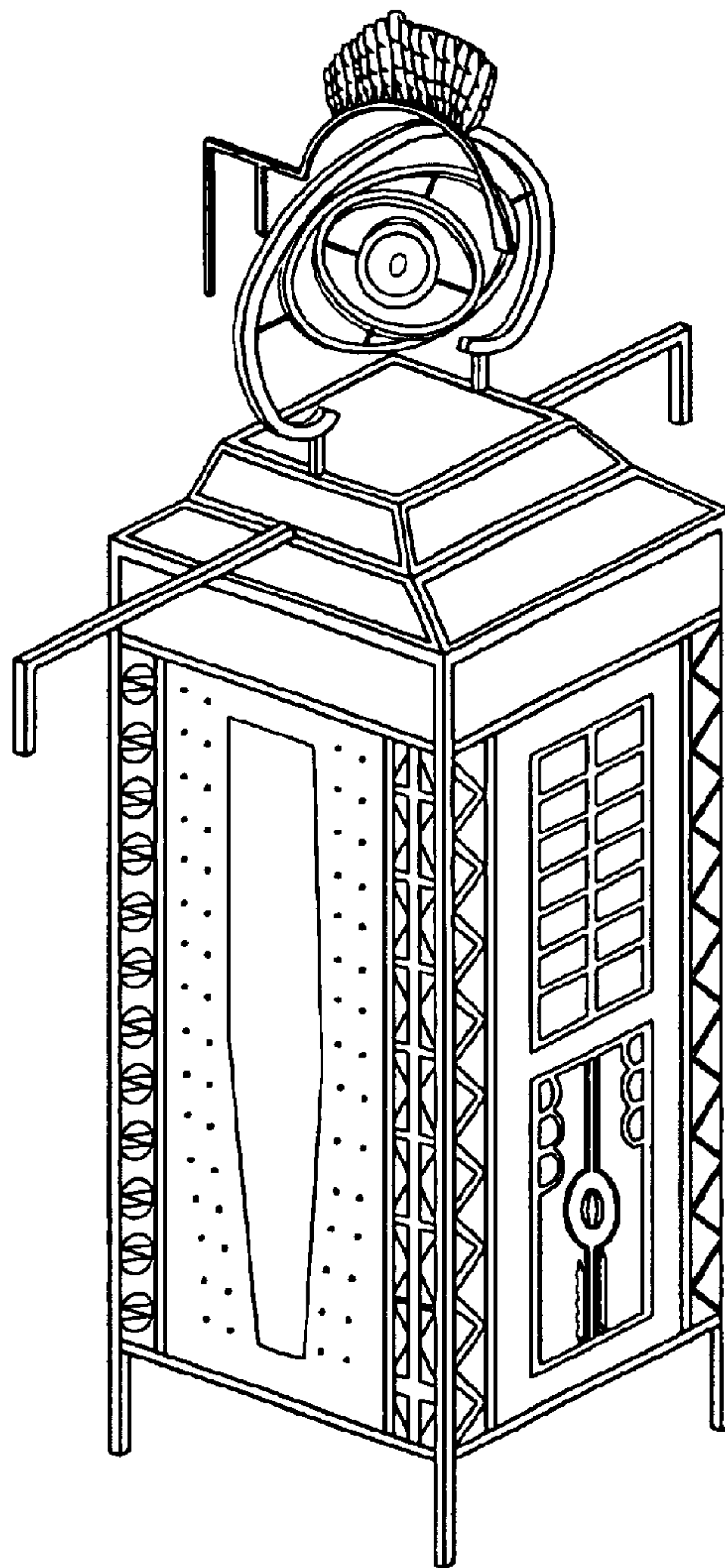
FIG. 5 is a left side view thereof;

* cited by examiner

FIG. 6 is a top view; and,

FIG. 7 is a bottom view.

1 Claim, 6 Drawing Sheets



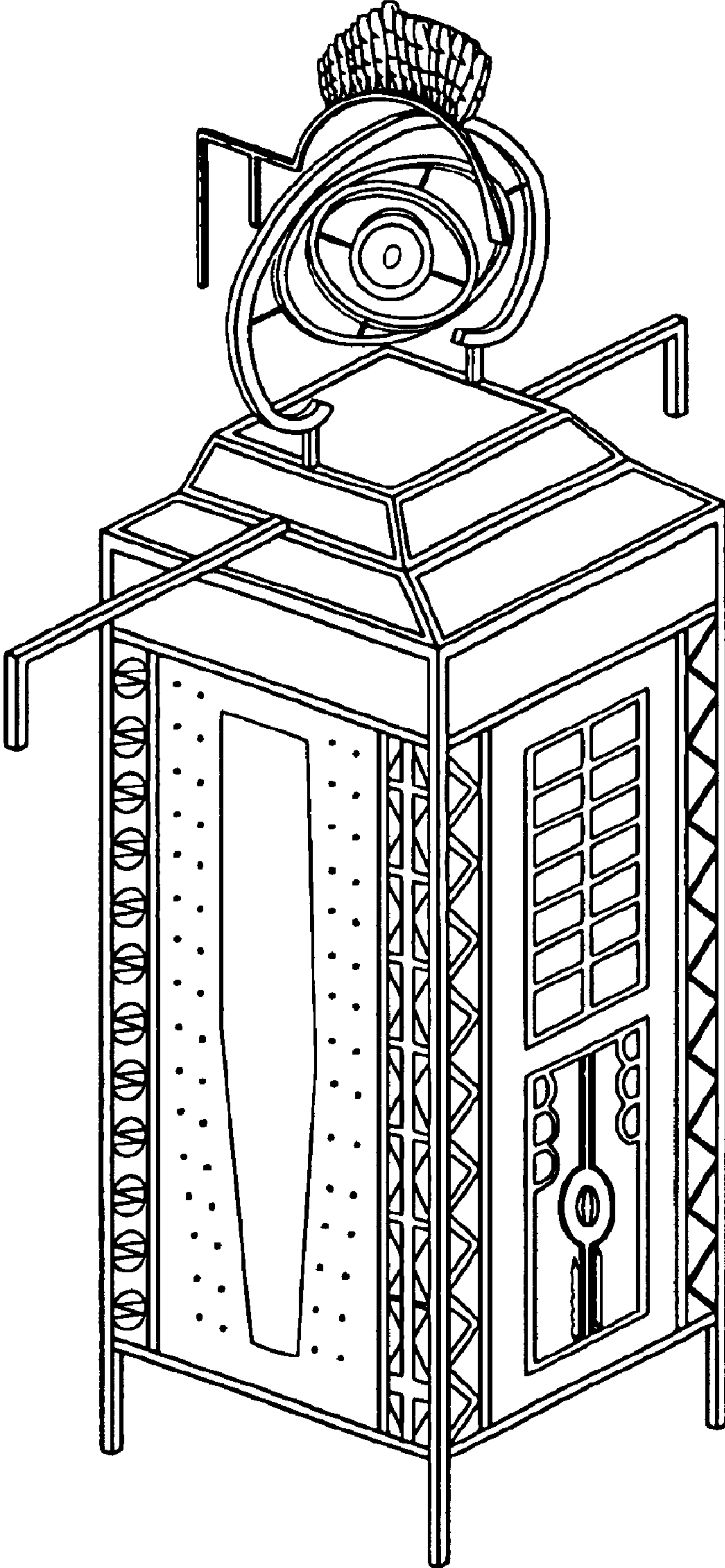


FIG. 1

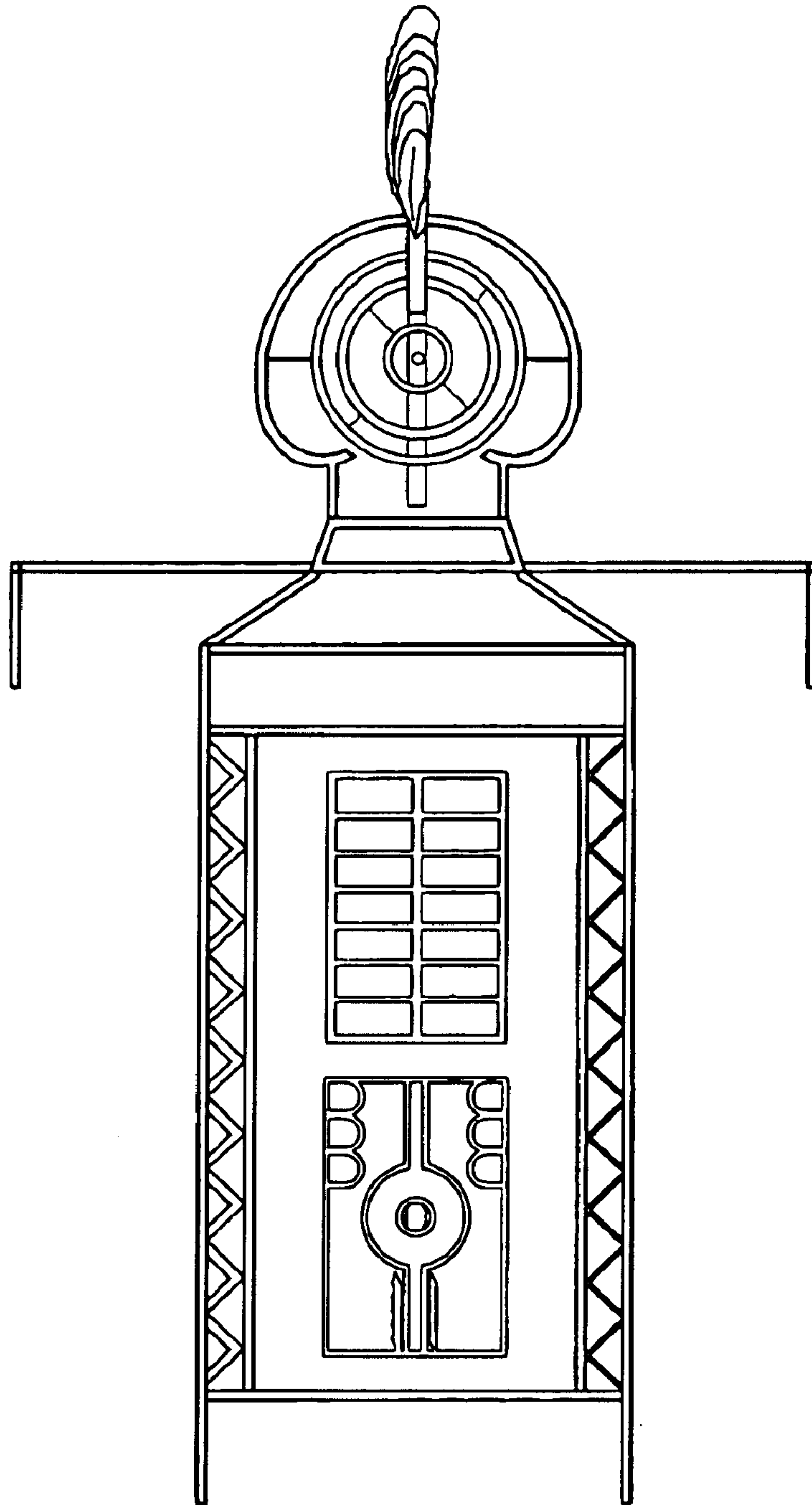


FIG. 2

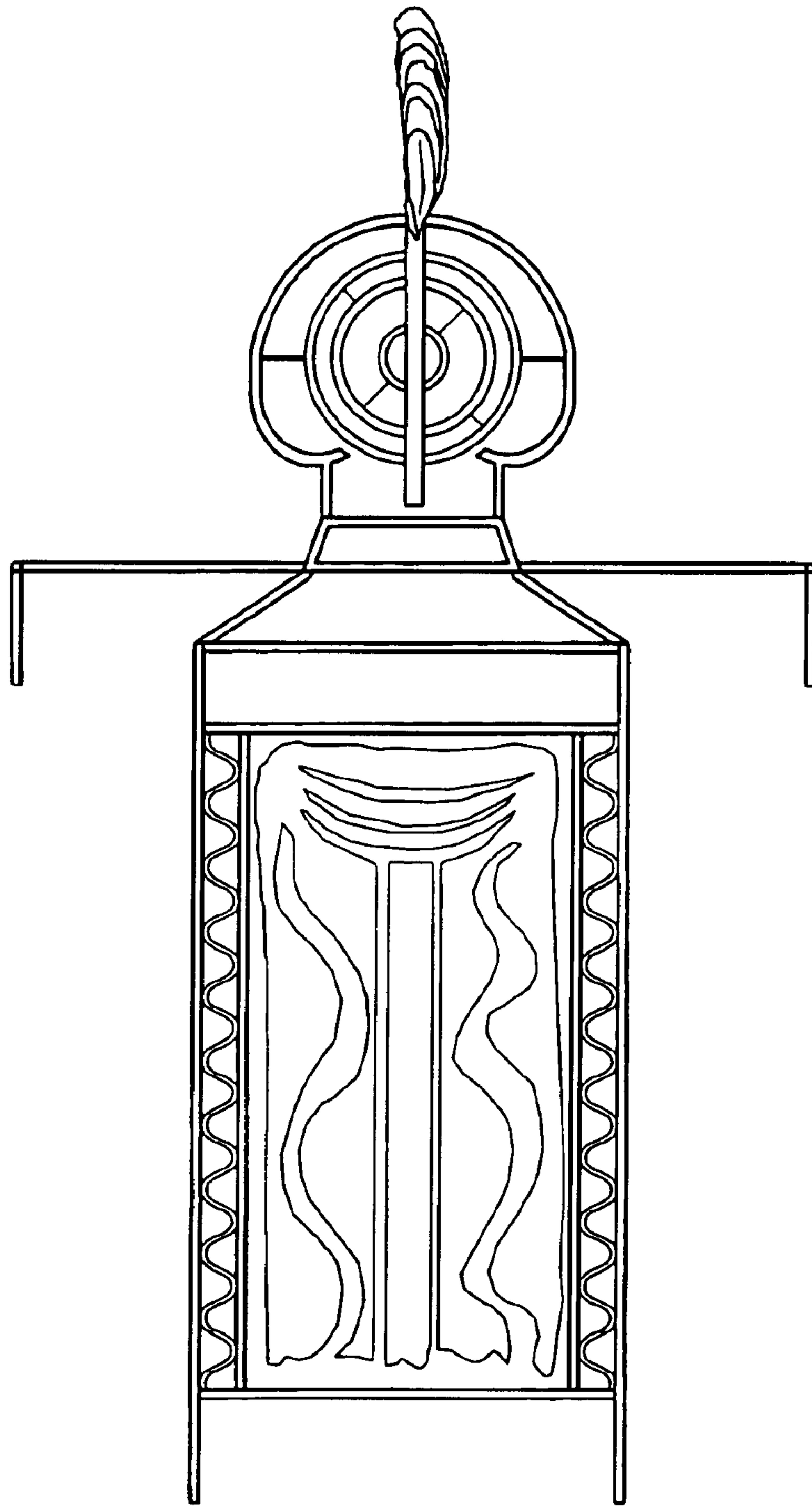


FIG. 3

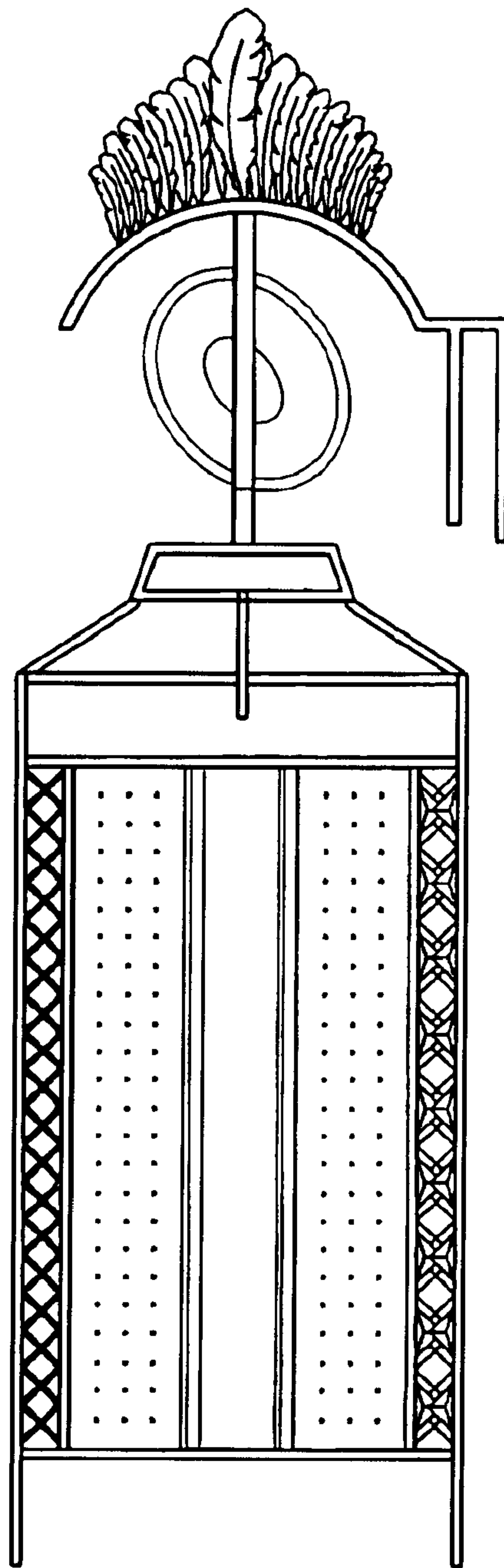


FIG. 4

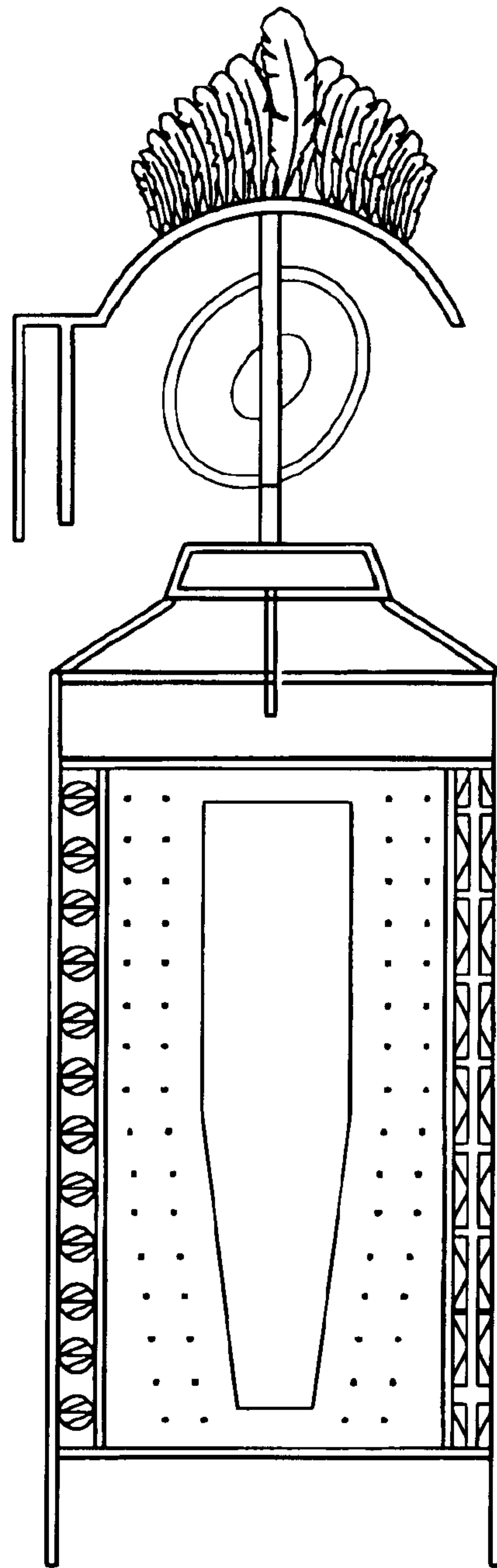


FIG. 5

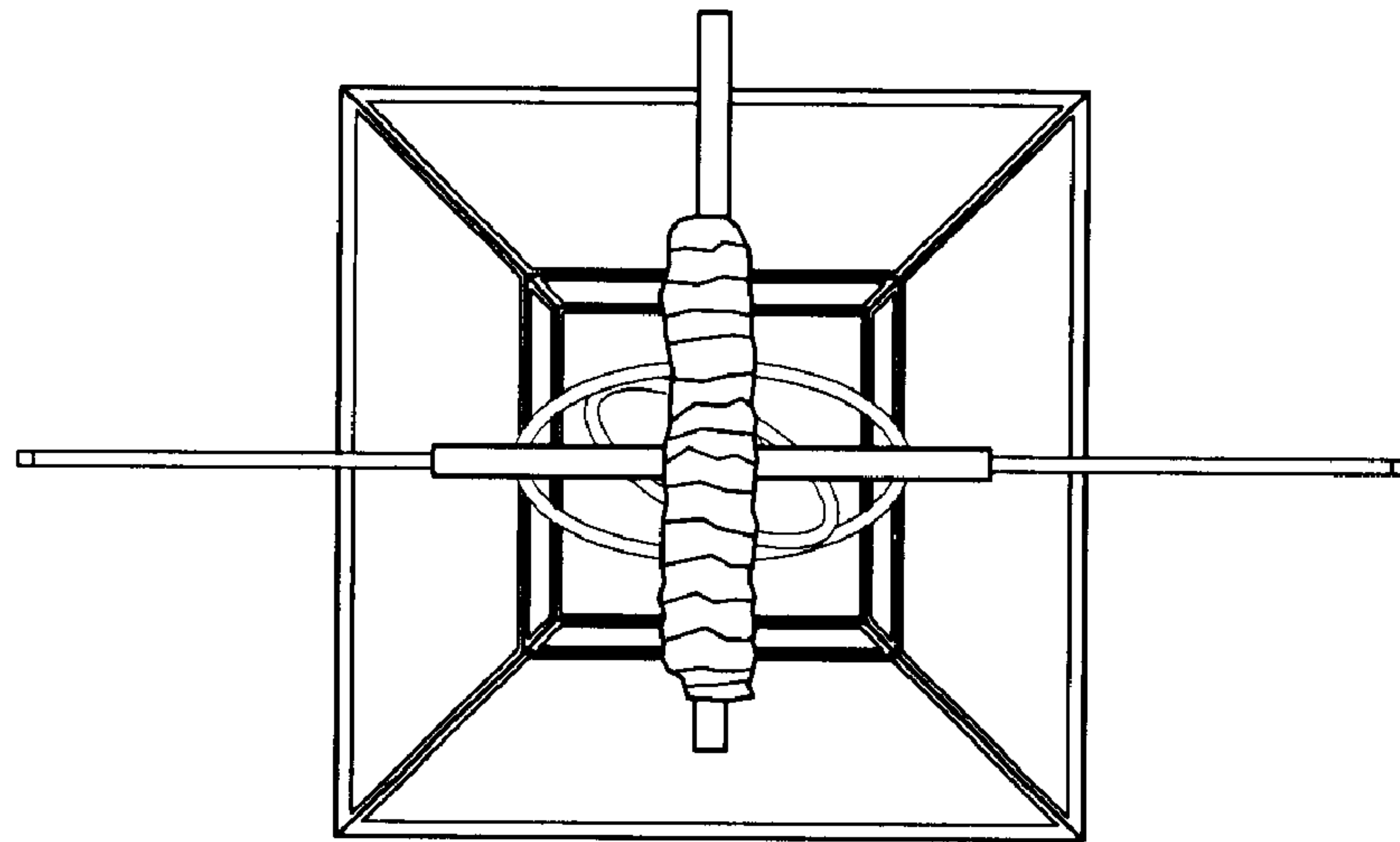


FIG. 6

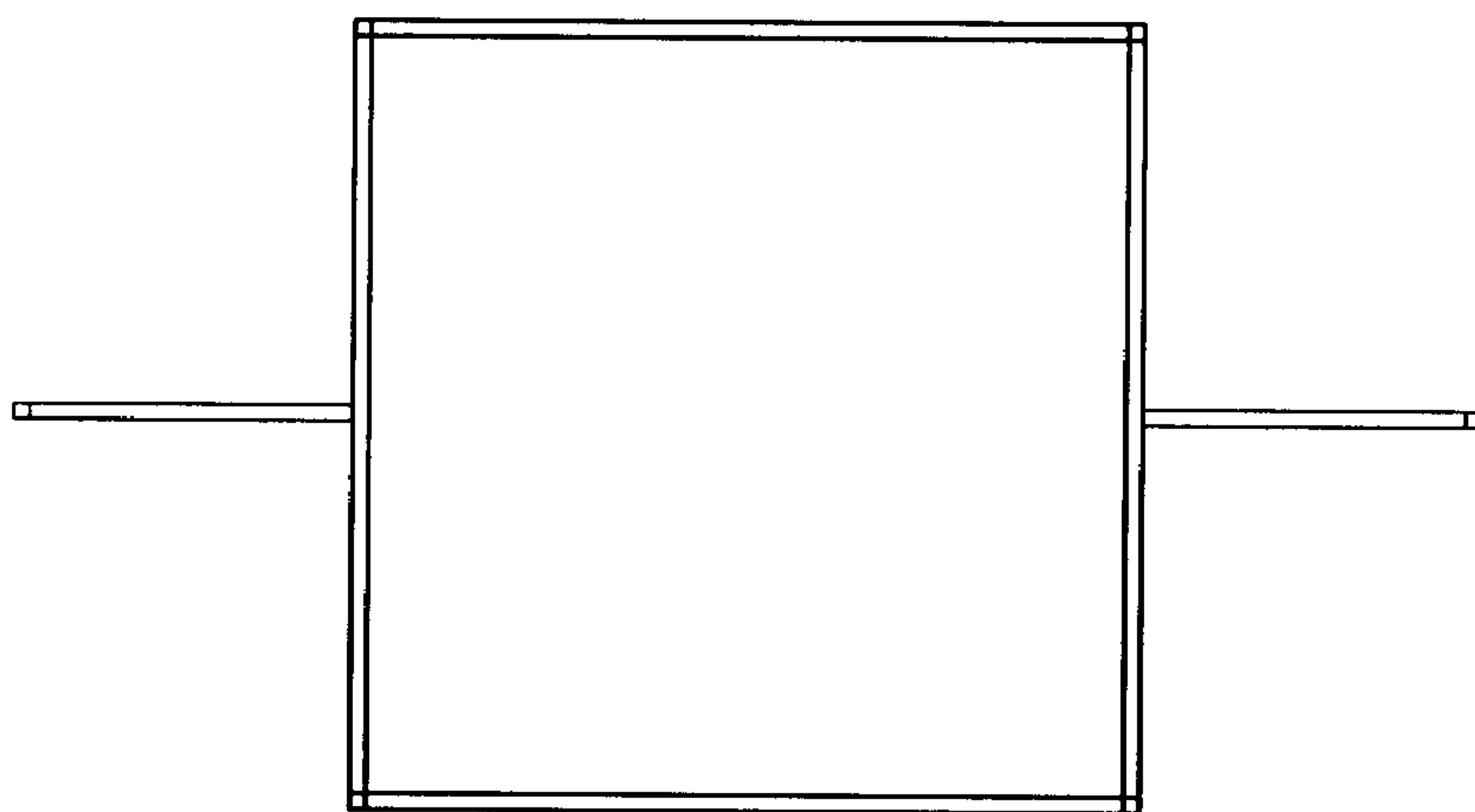


FIG. 7