

US00D506019S

(12) **United States Design Patent**
Chen

(10) **Patent No.:** **US D506,019 S**

(45) **Date of Patent:** **** Jun. 7, 2005**

(54) **LAMP**

(75) **Inventor:** **Chi-Gon Chen**, Guang Zhou City (CN)

(73) **Assignee:** **International Development Corporation**, Southlake, TX (US)

(**) **Term:** **14 Years**

(21) **Appl. No.:** **29/193,594**

(22) **Filed:** **Nov. 12, 2003**

(51) **LOC (8) Cl.** **26-05**

(52) **U.S. Cl.** **D26/67**

(58) **Field of Search** D26/67-72, 87,
D26/92, 118; 362/152, 153, 153.1, 159,
183, 266, 363, 431, 432

(56) **References Cited**

U.S. PATENT DOCUMENTS

D106,031 S	*	9/1937	Gosling	D26/67
D249,819 S	*	10/1978	Asaki	D26/67
D326,728 S	*	6/1992	Layne	D26/67
D329,099 S	*	9/1992	Hall et al.	D26/67
D346,873 S	*	5/1994	Frost	D26/67
D391,384 S	*	2/1998	Lerch	D26/67
D445,209 S	*	7/2001	Chen	D26/72
D445,210 S	*	7/2001	Chen	D26/72
D445,524 S	*	7/2001	Chen	D26/72
D445,525 S	*	7/2001	Pan	D26/72
D451,620 S	*	12/2001	Chen	D26/72
D452,029 S	*	12/2001	Chen	D26/72
D457,979 S	*	5/2002	Chen	D26/72
D466,243 S	*	11/2002	Chen	D26/67
D468,470 S	*	1/2003	Chen	D26/67
D468,471 S	*	1/2003	Chen	D26/67
D469,907 S	*	2/2003	Chen	D26/67
D469,908 S	*	2/2003	Chen	D26/67
D469,909 S	*	2/2003	Chen	D26/67
D483,138 S	*	12/2003	Chen	D26/67
D484,630 S	*	12/2003	Chen	D26/67

D484,631 S	*	12/2003	Chen	D26/67
D485,000 S	*	1/2004	Chen	D26/67
D485,001 S	*	1/2004	Chen	D26/67
D485,930 S	*	1/2004	Chen	D26/67
D488,576 S	*	4/2004	Chen	D26/67
6,719,442 B1	*	4/2004	Chen	362/328
2003/0081406 A1	*	5/2003	Lin	362/96

FOREIGN PATENT DOCUMENTS

CA	99516	*	6/2003
CA	99517	*	6/2003
CA	99518	*	6/2003
CA	99519	*	6/2003
CA	100603	*	2/2004

OTHER PUBLICATIONS

“Petal Solar Amber Landscape Lights” Model #50402140.
□□Item #404119 at Overstock.com. Found online on Aug. 24, 2004.*

* cited by examiner

Primary Examiner—Clare E Heflin

(74) *Attorney, Agent, or Firm*—Gardere Wynn Sewell LLP

(57) **CLAIM**

The ornamental design for a lamp, as shown and described.

DESCRIPTION

FIG. 1 is a perspective view showing the lamp of my design; FIG. 2 is a front elevation view of the lamp with the rear elevation view being identical thereto; FIG. 3 is a right side elevation view of the lamp with the left side elevation view being identical thereto; FIG. 4 is a top plan view of the lamp; and, FIG. 5 is a bottom plan view of the lamp. The broken lines showing a base for the lamp are for illustrative purposes only and form no part of the claimed design.

1 Claim, 2 Drawing Sheets

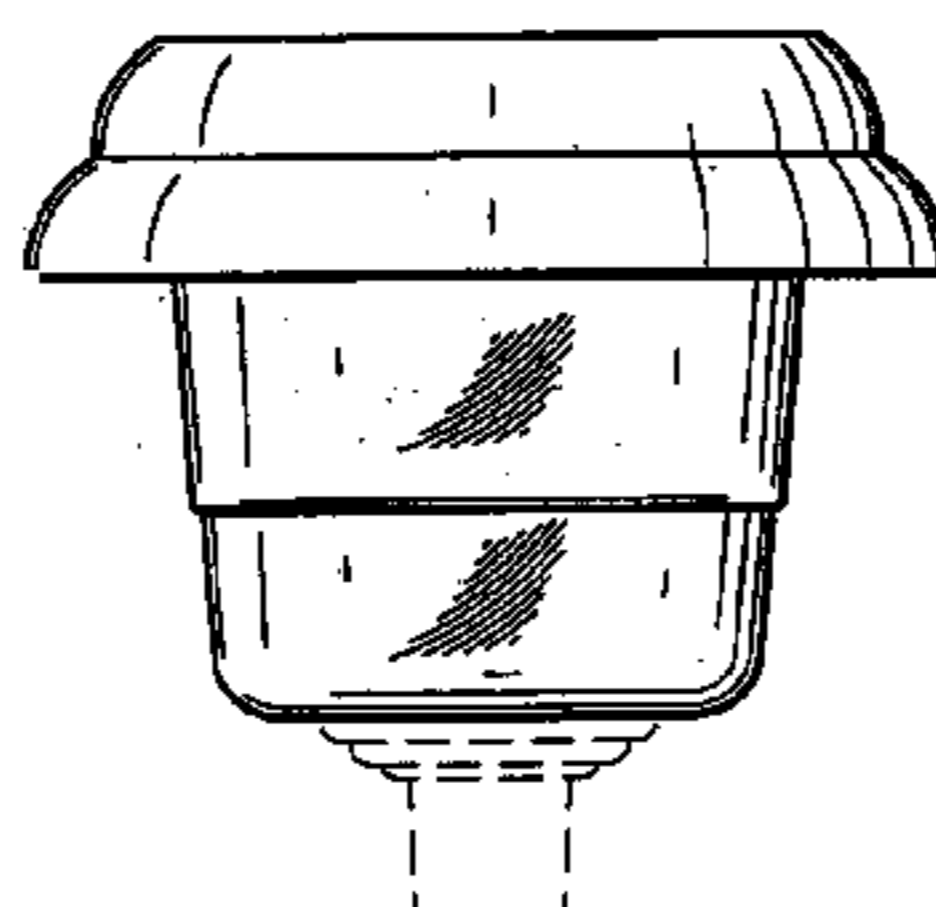
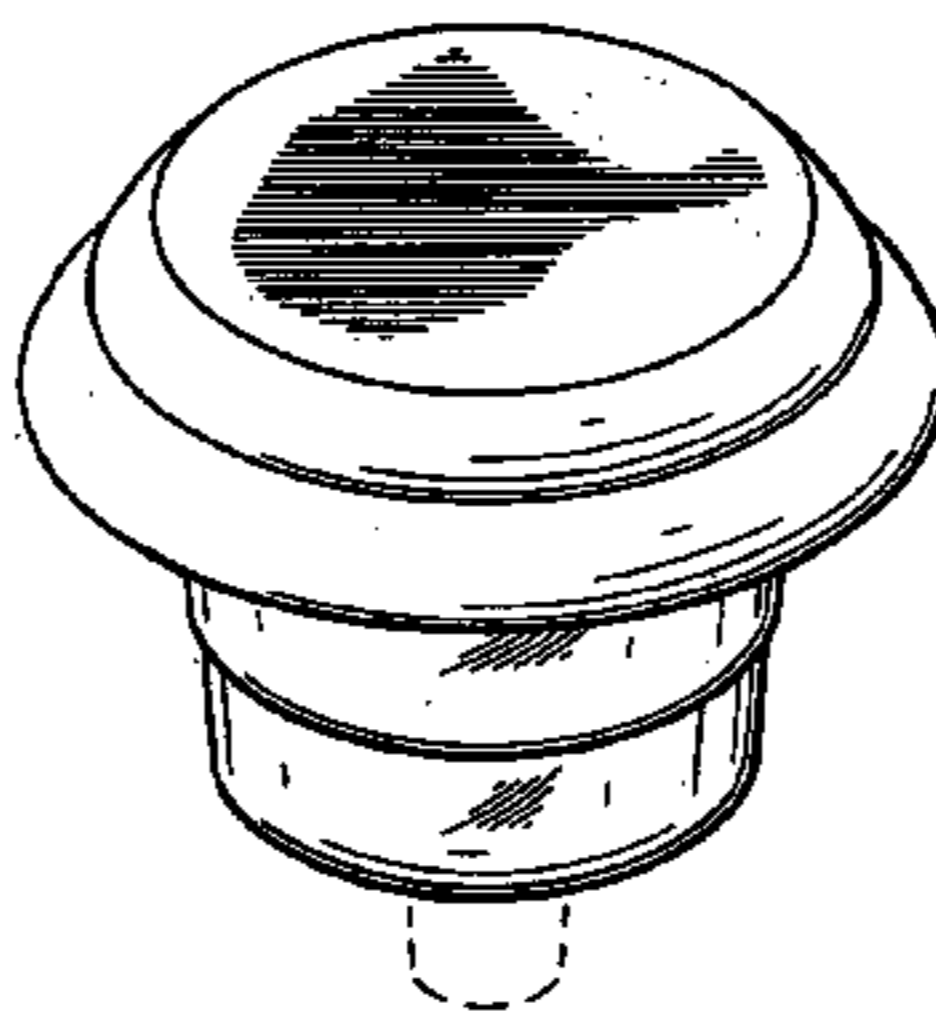


FIG. 1

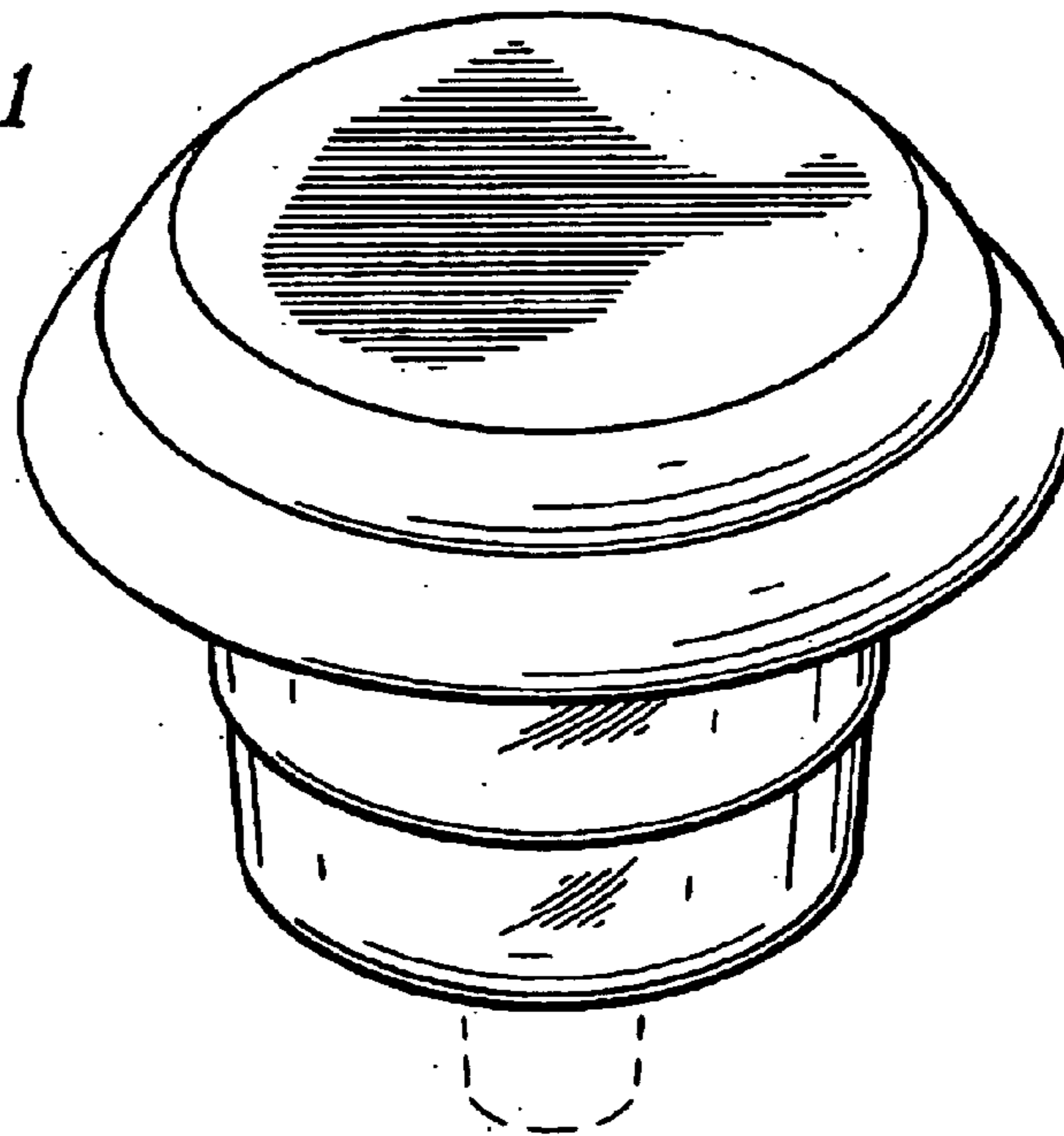


FIG. 2

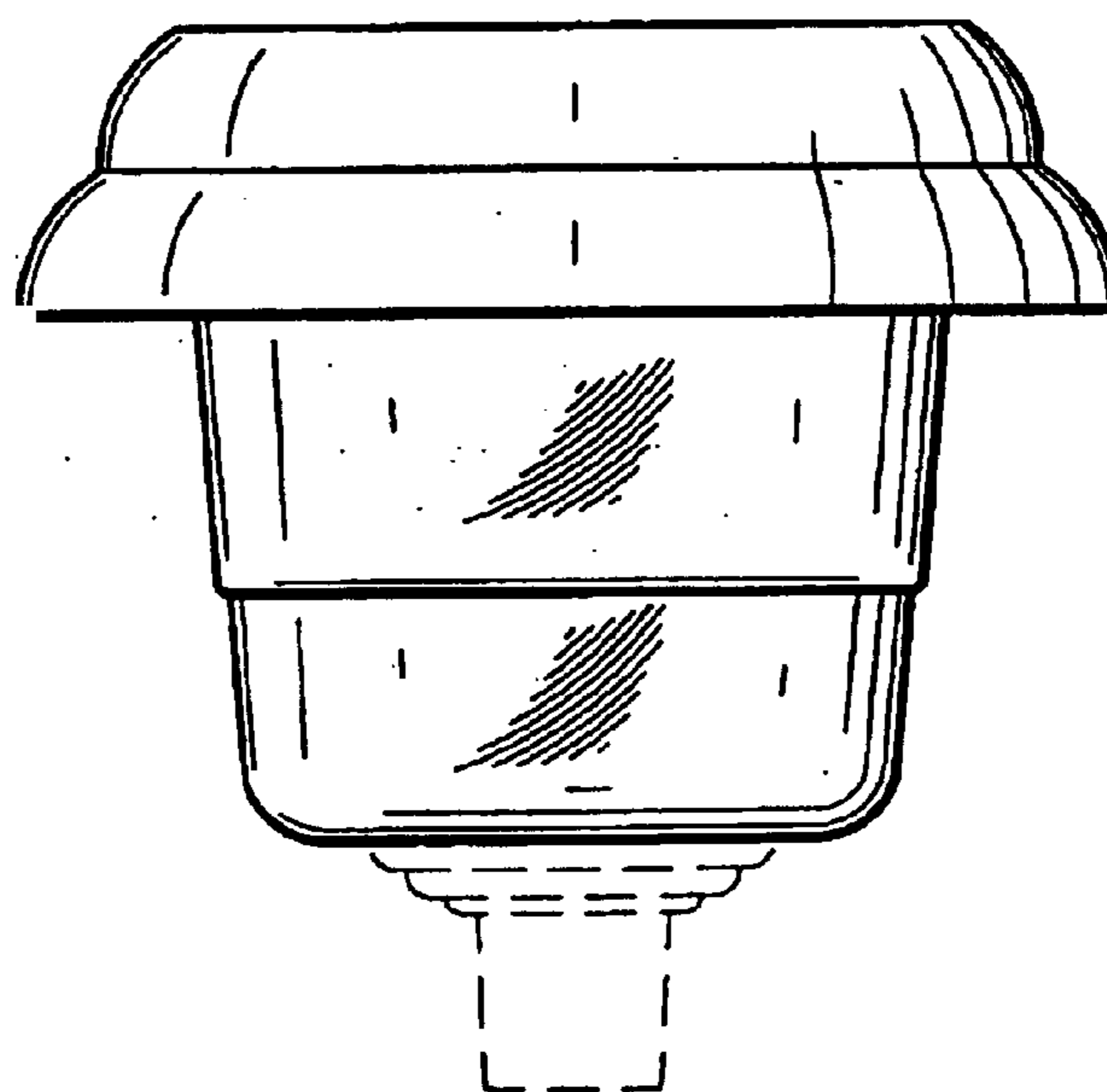


FIG. 4

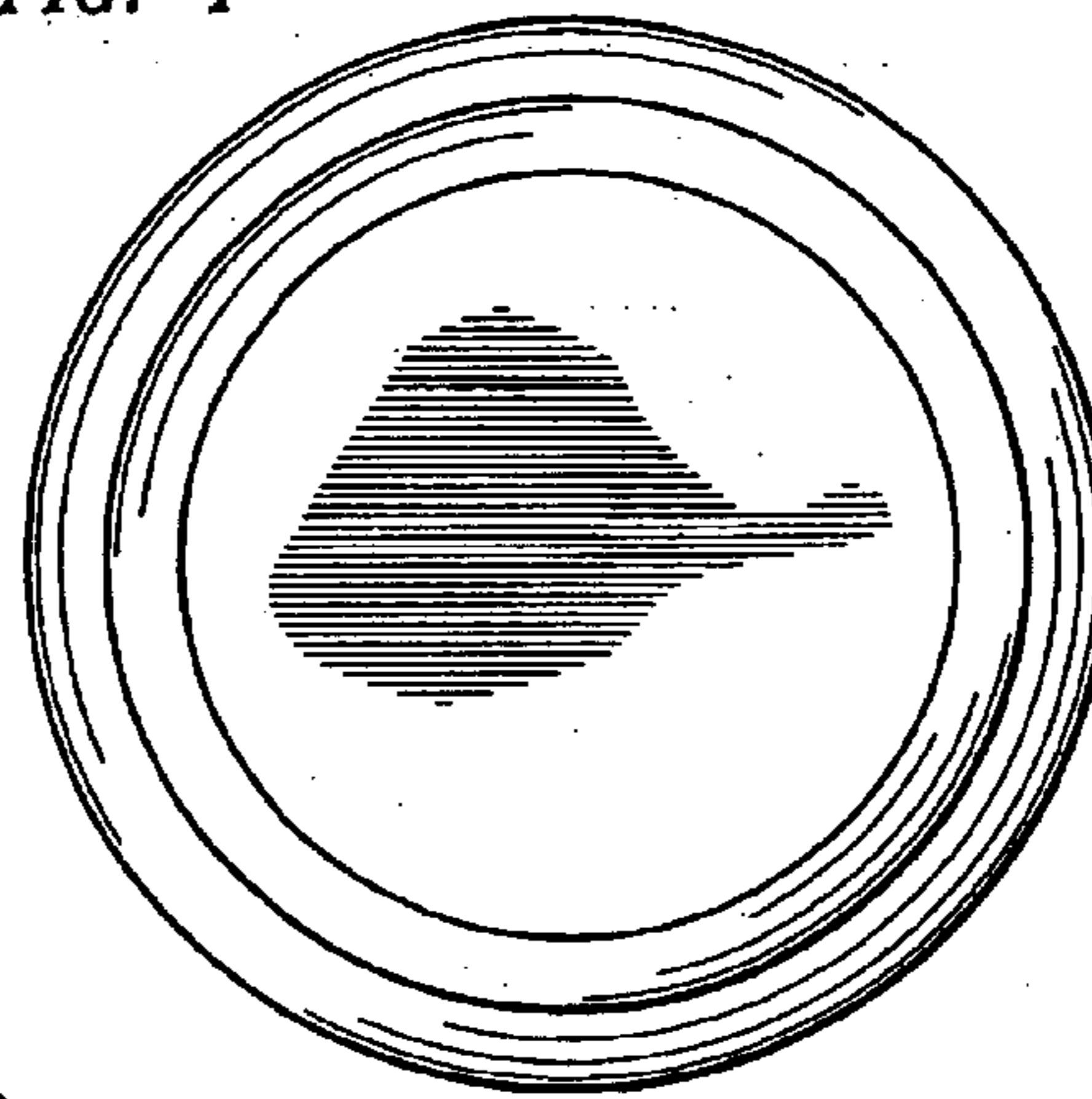


FIG. 3

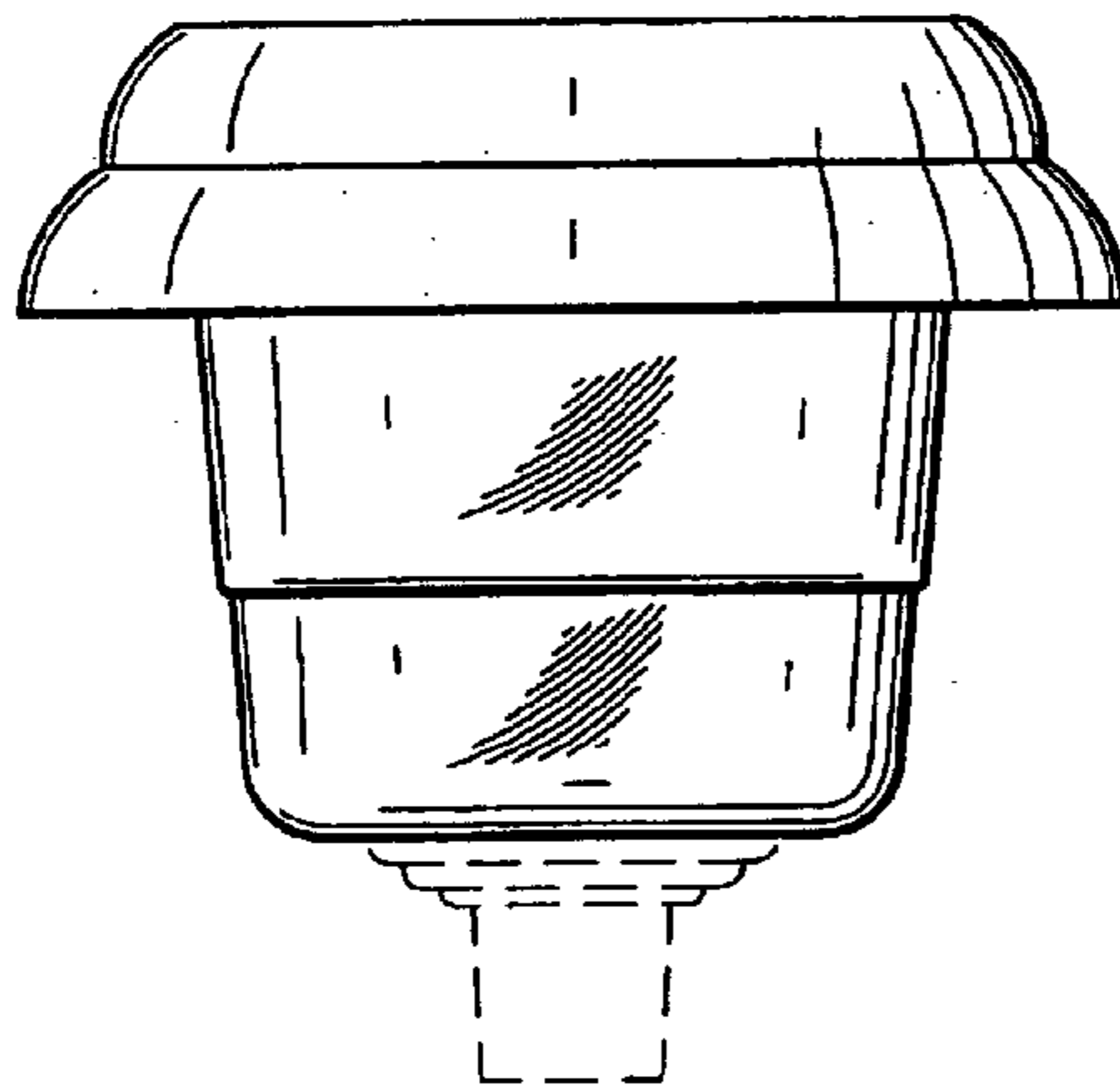


FIG. 5

