



US00D506018S

(12) **United States Design Patent**
Campo

(10) **Patent No.:** **US D506,018 S**
(45) **Date of Patent:** **** Jun. 7, 2005**

(54) **LAMP**

(75) **Inventor:** **Tom Campo**, Plastow, NH (US)

(73) **Assignee:** **Tensor Corporation**, Chelsea, MA (US)

(**) **Term:** **14 Years**

(21) **Appl. No.:** **29/189,345**

(22) **Filed:** **Sep. 3, 2003**

(51) **LOC (8) Cl.** **26-05**

(52) **U.S. Cl.** **D26/62**

(58) **Field of Search** D26/60-66; 362/269, 362/277, 285, 413, 418, 419, 427

(56) **References Cited**

U.S. PATENT DOCUMENTS

D329,298 S * 9/1992 Huang D26/62

* cited by examiner

Primary Examiner—Alan P. Douglas
Assistant Examiner—Linda Brooks

(74) *Attorney, Agent, or Firm*—Todd S. Parkhurst; Lewis Steadman, Sr.; Robert J. Depke

(57) **CLAIM**

I claim the ornamental design for a lamp, as shown.

DESCRIPTION

FIG. 1 is an isometric view of the novel lamp design. FIG. 2 is a right elevational view of the lamp shown in FIG. 1. FIG. 3 is a left elevational view of the lamp shown in FIGS. 1 and 2. FIG. 4 is a front elevational view of the lamp shown in FIGS. 1-3. FIG. 5 is a rear elevational view of the lamp shown in FIGS. 1-4. FIG. 6 is a top plan view of the lamp shown in FIGS. 1-5; and, FIG. 7 is a bottom plan view of the lamp shown in FIGS. 1-6. The broken lines shown are for illustrative purposes only and form no part of the claimed design.

1 Claim, 4 Drawing Sheets

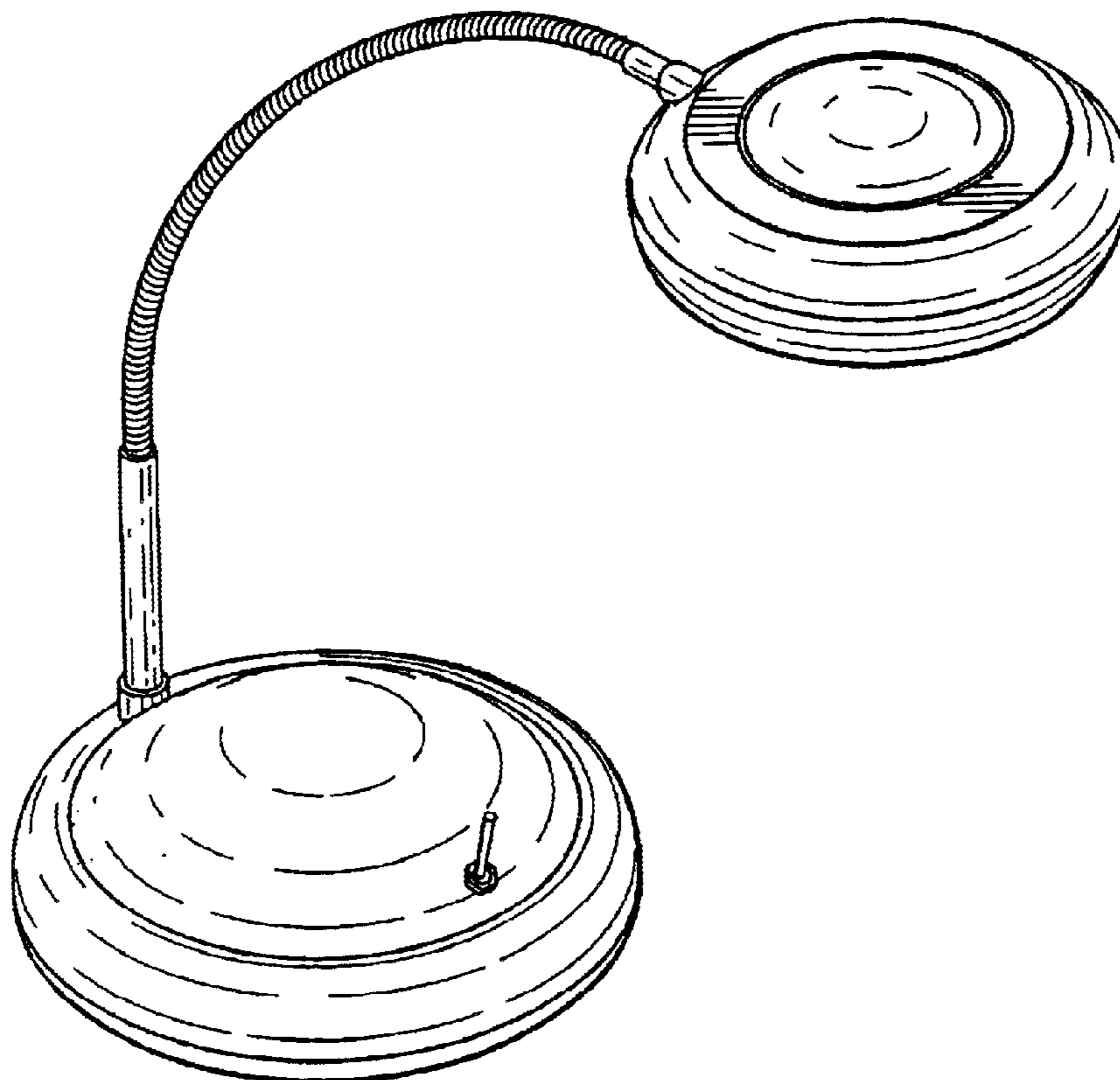


Fig. 1

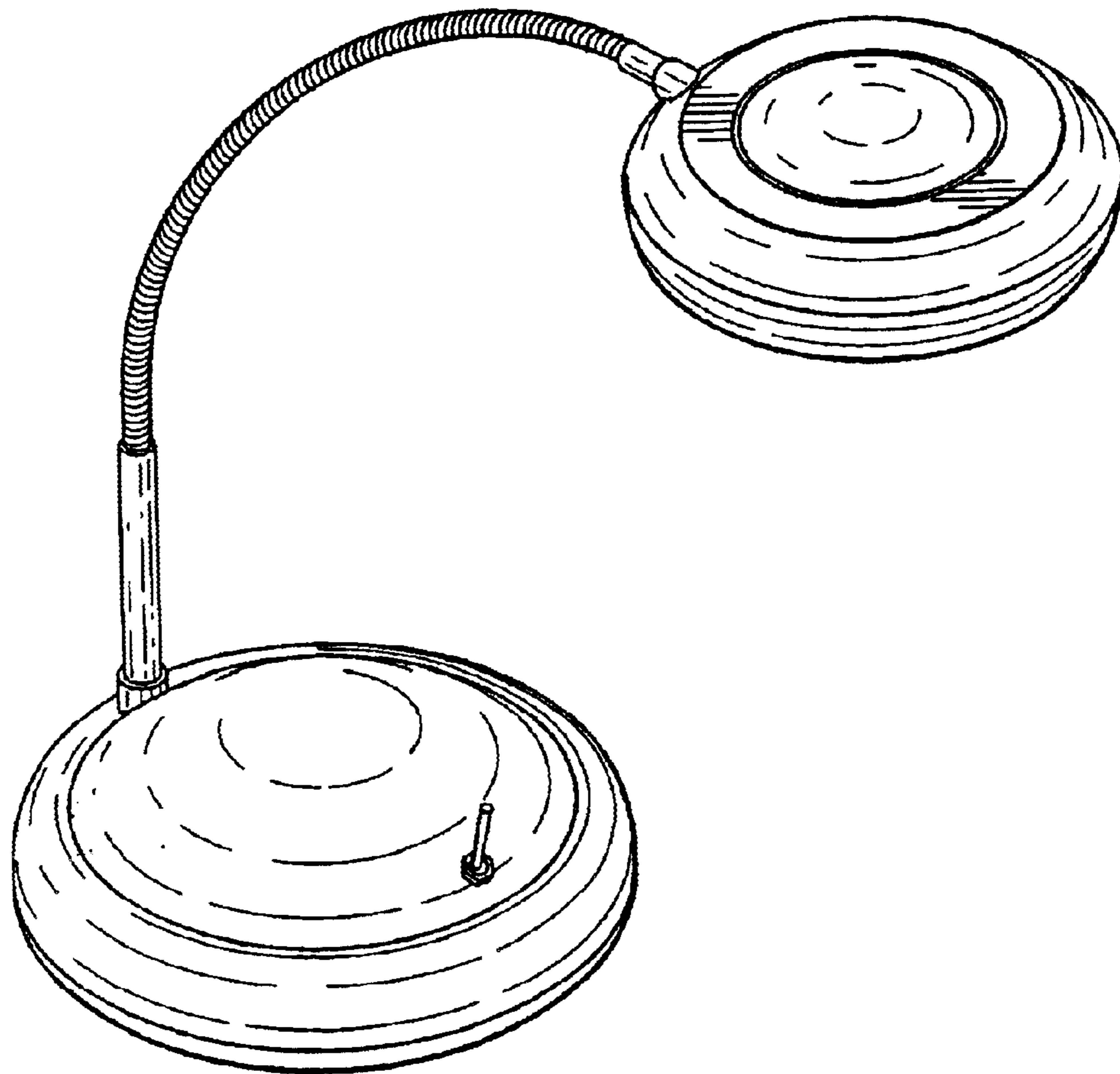


Fig. 2

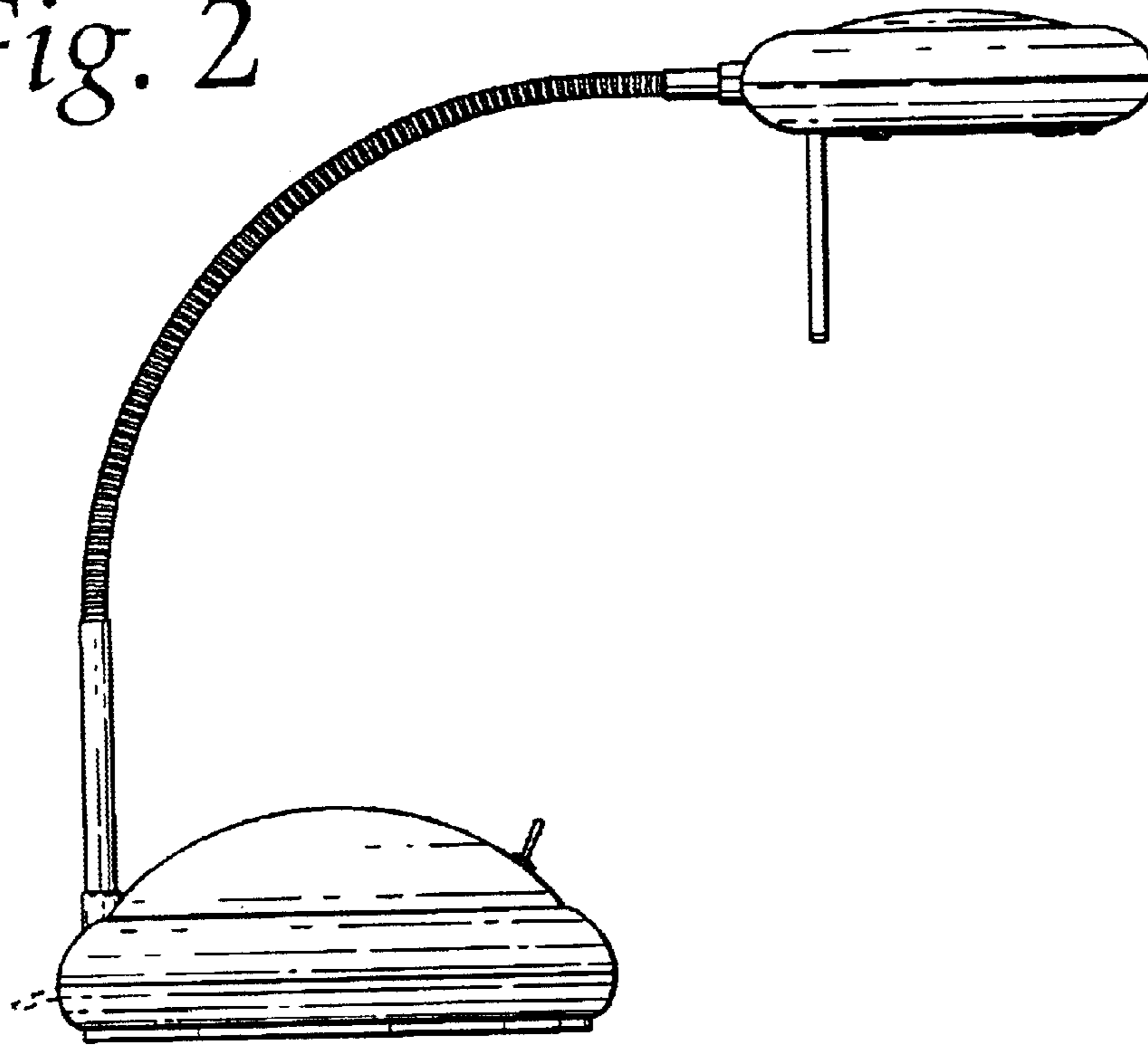


Fig. 3

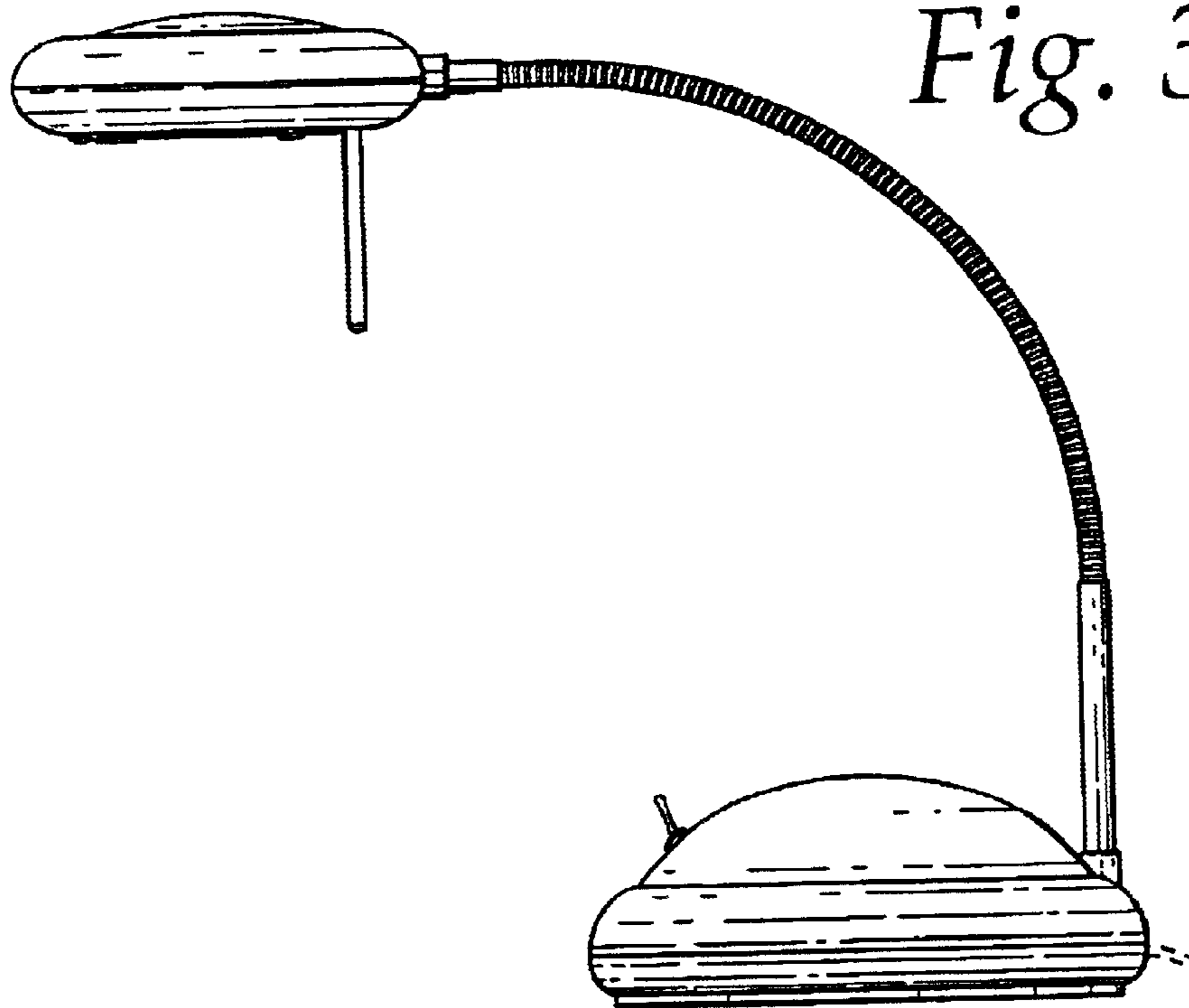


Fig. 4

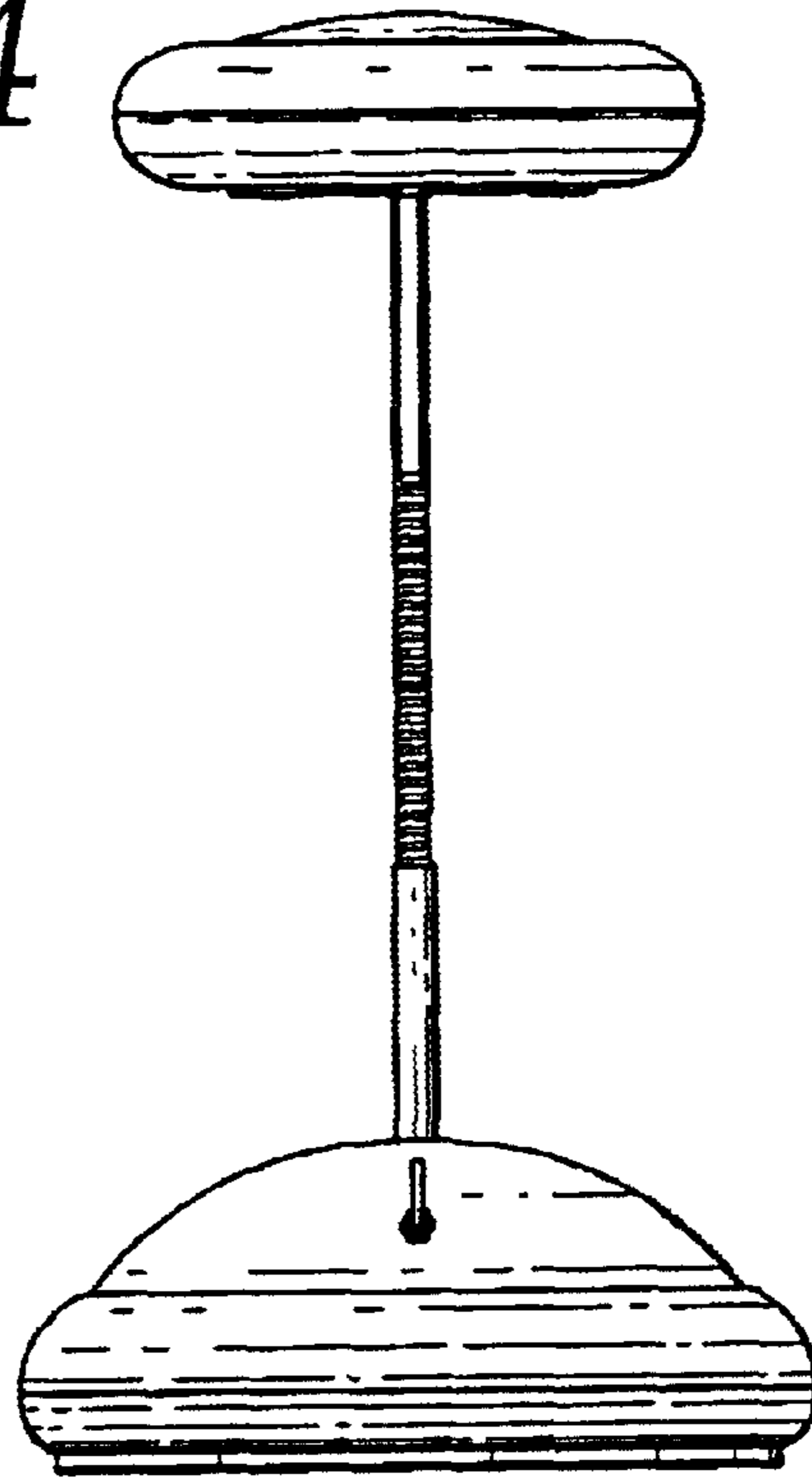


Fig. 5

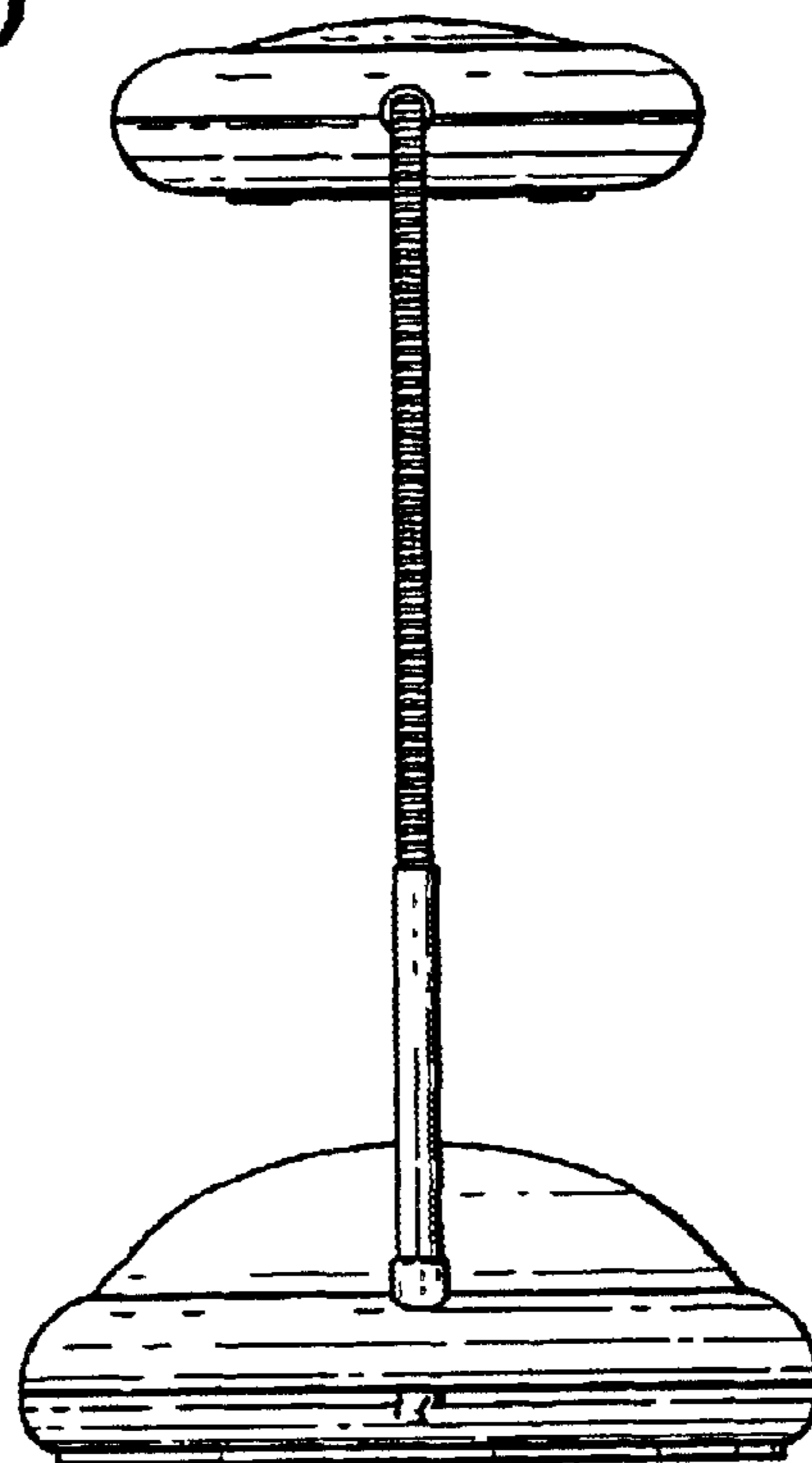


Fig. 6

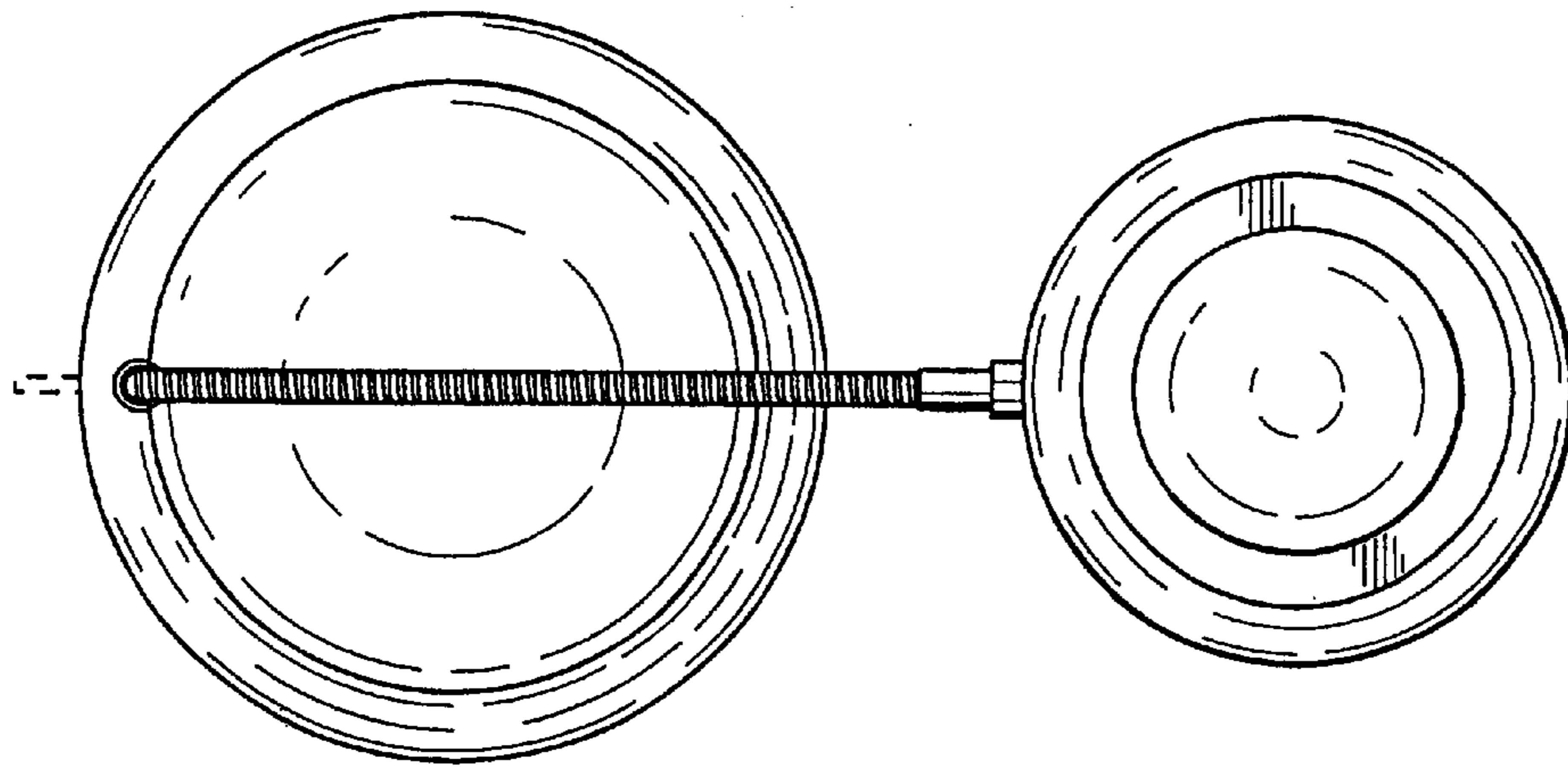


Fig. 7

