

US00D506017S

(12) **United States Design Patent** (10) **Patent No.:** **US D506,017 S**  
**Chen** (45) **Date of Patent:** **\*\* Jun. 7, 2005**

(54) **SOLAR LIGHT**

(75) **Inventor:** **Chi Gon Chen**, Guang Zhou (CN)

(73) **Assignee:** **International Development Corporation**, Southlake, TX (US)

(\*\*) **Term:** **14 Years**

(21) **Appl. No.:** **29/200,235**

(22) **Filed:** **Feb. 25, 2004**

(51) **LOC (8) Cl.** ..... **26-02**

(52) **U.S. Cl.** ..... **D26/40**

(58) **Field of Search** ..... D26/37-50; 362/157,  
362/158, 171-174, 183-208

D484,631 S 12/2003 Chen  
D485,000 S 1/2004 Chen  
D485,001 S 1/2004 Chen  
D485,928 S \* 1/2004 Leung et al. .... D26/40  
D485,930 S 1/2004 Chen  
D486,932 S \* 2/2004 Dario et al. .... D26/40  
D487,809 S \* 3/2004 Leung et al. .... D26/40  
D488,576 S 4/2004 Chen  
6,719,442 B1 4/2004 Chen

**FOREIGN PATENT DOCUMENTS**

CA 99516 6/2003  
CA 99517 6/2003  
CA 99518 6/2003  
CA 99519 6/2003  
CA 100603 2/2004

\* cited by examiner

*Primary Examiner*—Marcus A. Jackson  
(74) *Attorney, Agent, or Firm*—Gardere Wynne Sewell LLP; Kenneth T. Emanuelson

(56) **References Cited**

**U.S. PATENT DOCUMENTS**

D429,832 S \* 8/2000 Poon ..... D26/40  
D445,209 S 7/2001 Chen  
D445,210 S 7/2001 Chen  
D445,524 S 7/2001 Chen  
D445,525 S 7/2001 Pan  
D445,939 S 7/2001 Pan  
D451,620 S 12/2001 Chen  
D452,029 S 12/2001 Chen  
D457,979 S 5/2002 Chen  
D466,243 S 11/2002 Chen  
D468,470 S 1/2003 Chen  
D468,471 S 1/2003 Chen  
D469,907 S 2/2003 Chen  
D469,908 S 2/2003 Chen  
D469,909 S 2/2003 Chen  
D483,138 S 12/2003 Chen  
D484,630 S 12/2003 Chen

(57) **CLAIM**

The ornamental design for a solar light, as shown and described.

**DESCRIPTION**

FIG. 1 is a three-dimensional view of one preferred embodiment of a solar light in accordance with my invention; FIG. 2 is a front view of the solar light shown in FIG. 1; FIG. 3 is a side view of the solar light shown in FIG. 1; FIG. 4 is a top view of the solar light shown in FIG. 1; and, FIG. 5 is a bottom view of the solar light shown in FIG. 1.

**1 Claim, 2 Drawing Sheets**

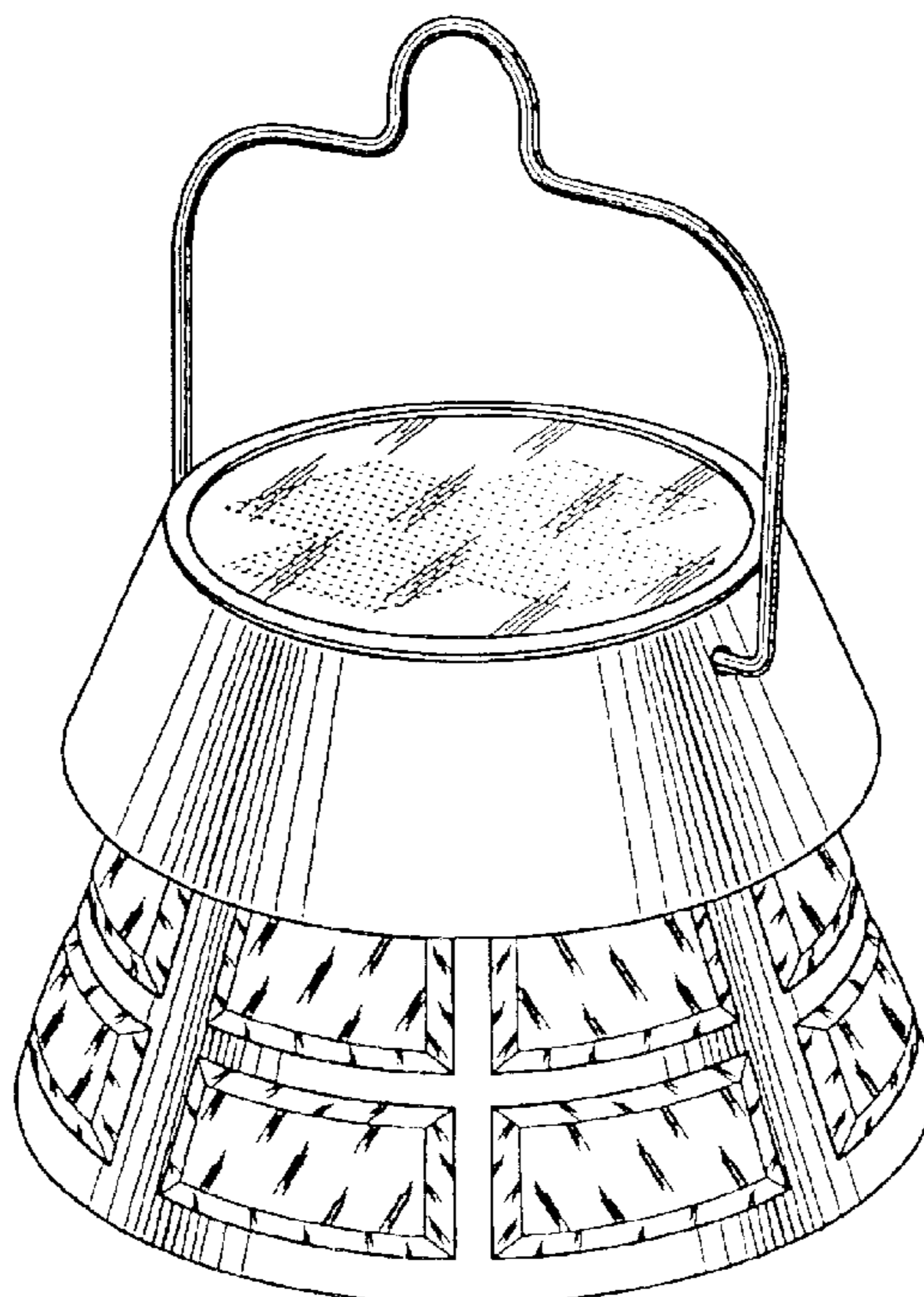


Fig. 1

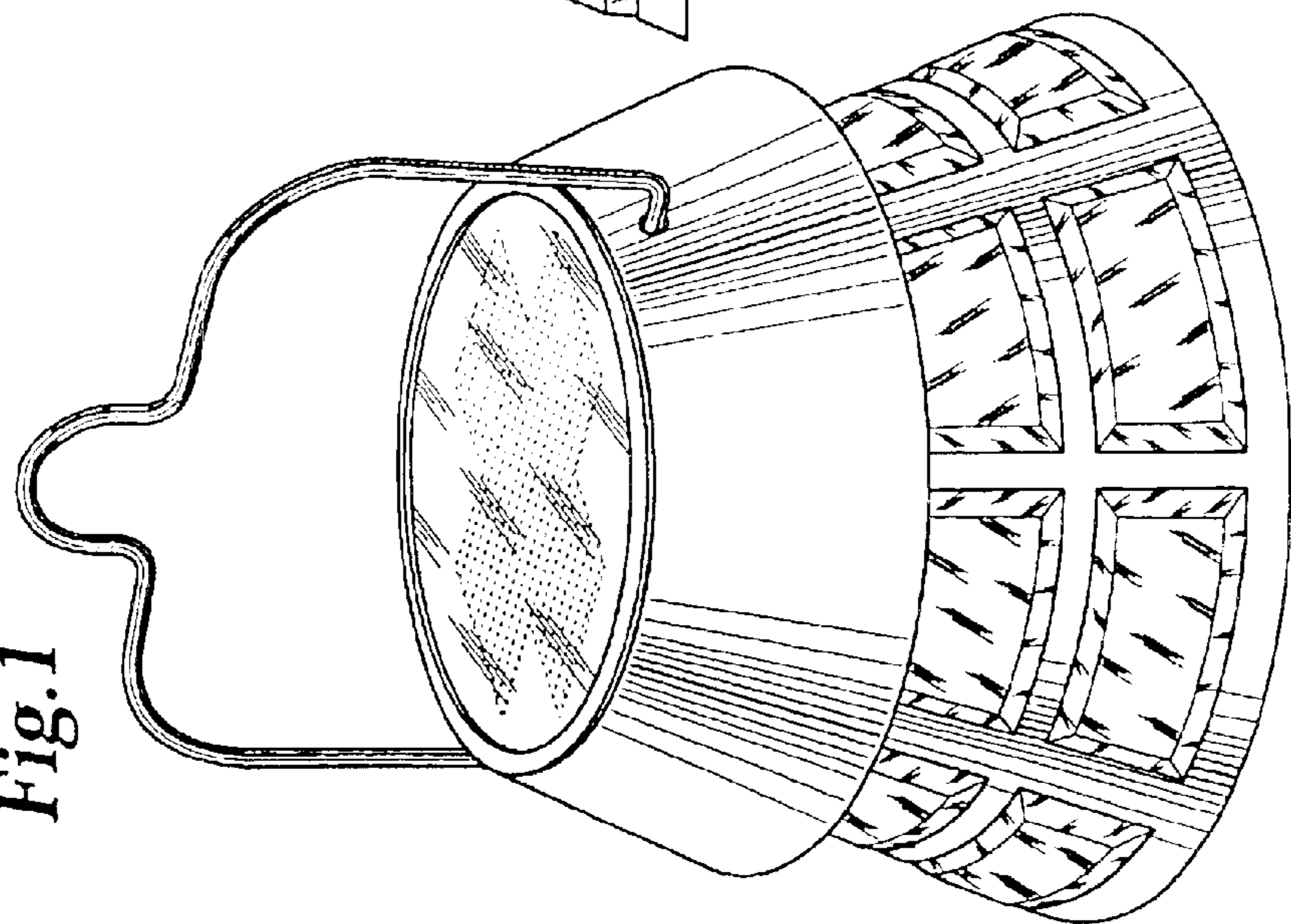


Fig. 2

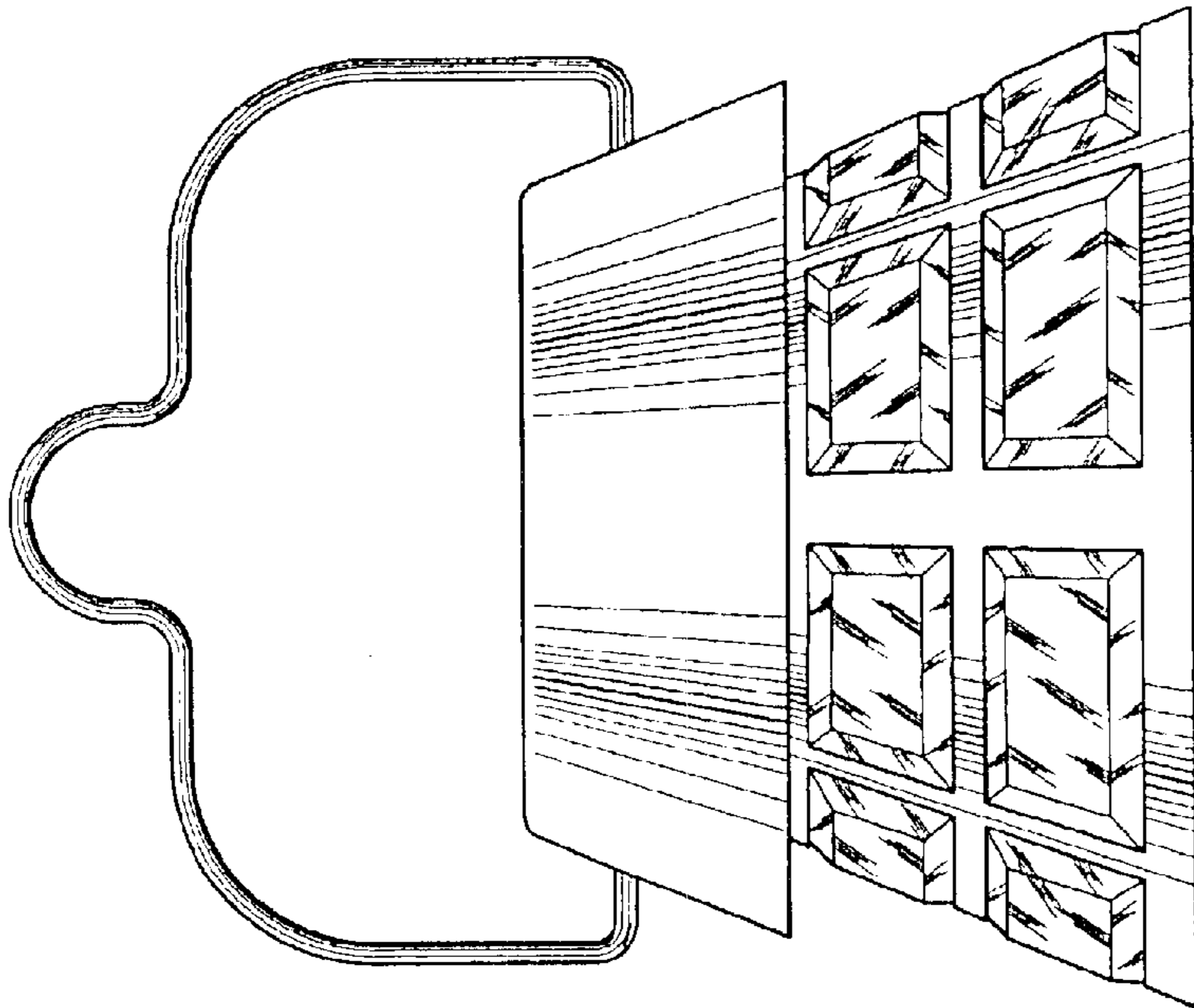
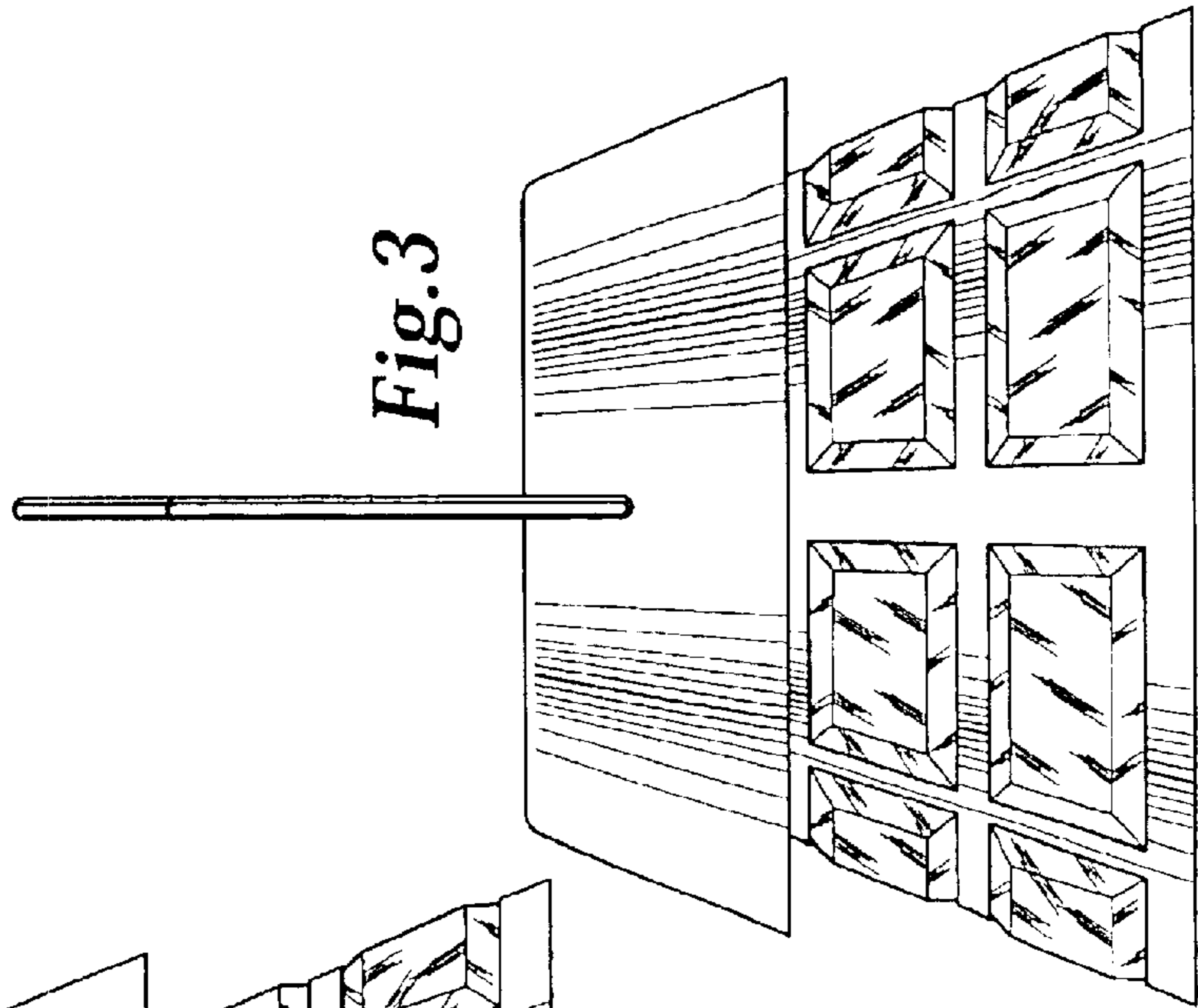


Fig. 3



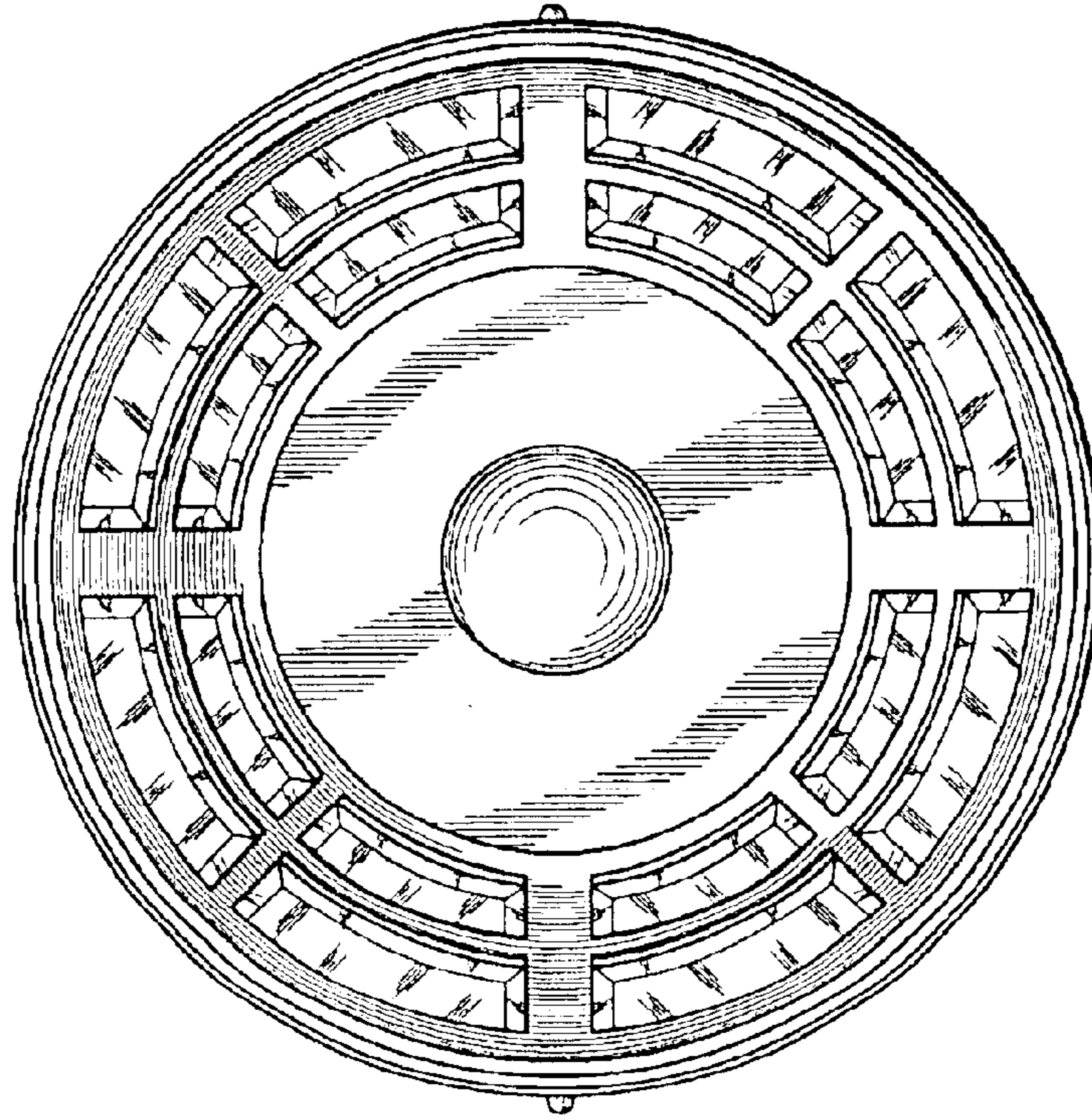


Fig. 5

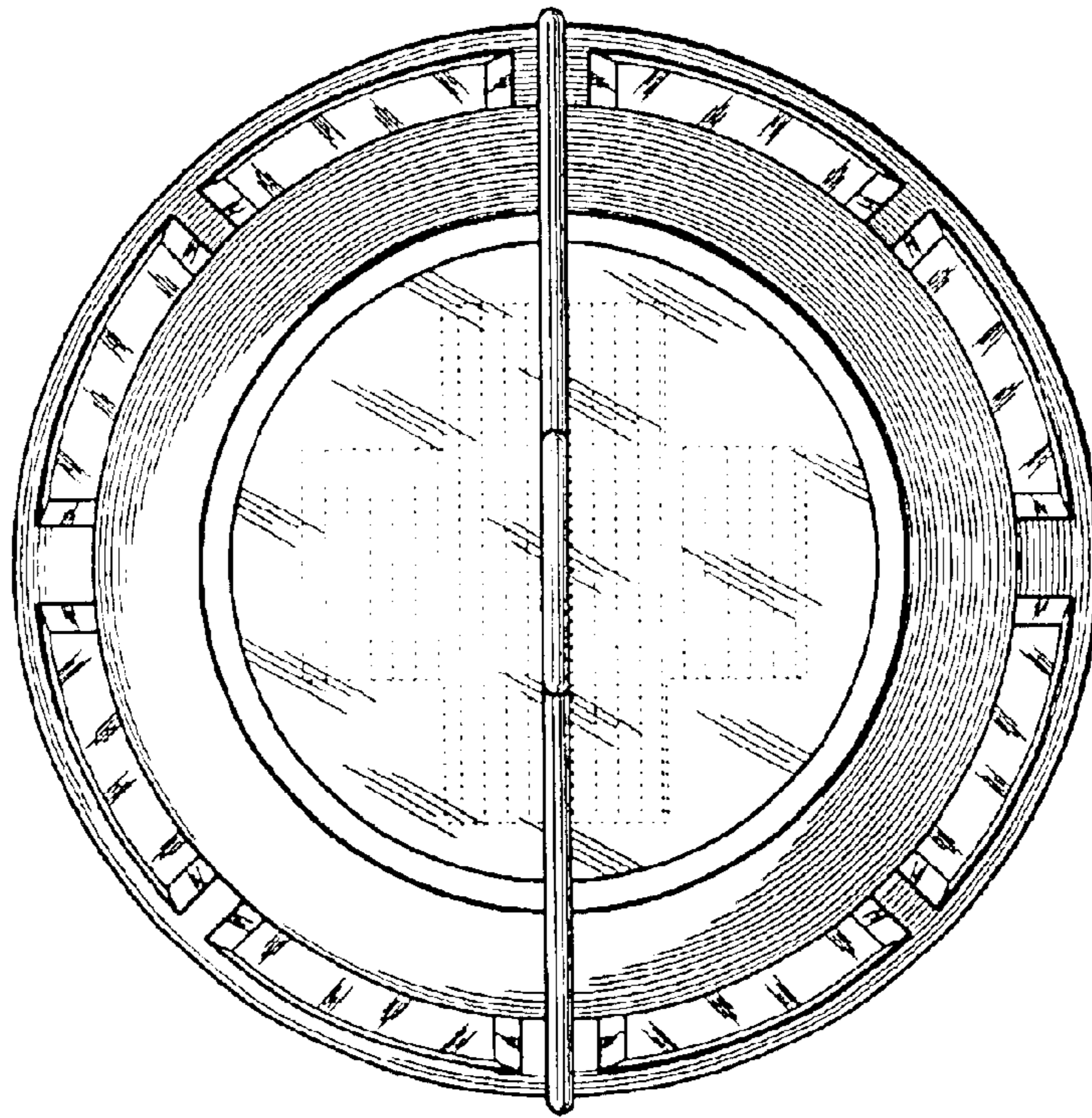


Fig. 4