

US00D506016S

(12) **United States Design Patent**  
**Chiang**

(10) **Patent No.:** **US D506,016 S**

(45) **Date of Patent:** **\*\* Jun. 7, 2005**

(54) **AUTOMOBILE LIGHT**

D482,808 S \* 11/2003 Kuo ..... D26/28  
D486,594 S \* 2/2004 Kuo ..... D26/28

(75) **Inventor:** **Shin-Shioung Chiang**, Tainan Hsien (TW)

\* cited by examiner

(73) **Assignee:** **TYC Brother Industrial Co., Ltd.**, Tainan (TW)

*Primary Examiner*—Marcus A. Jackson  
(74) *Attorney, Agent, or Firm*—Fitzpatrick, Cella, Harper & Scinto

(\*\*) **Term:** **14 Years**

(57) **CLAIM**

(21) **Appl. No.:** **29/191,337**

The ornamental design for automobile light, as shown and described.

(22) **Filed:** **Oct. 7, 2003**

**DESCRIPTION**

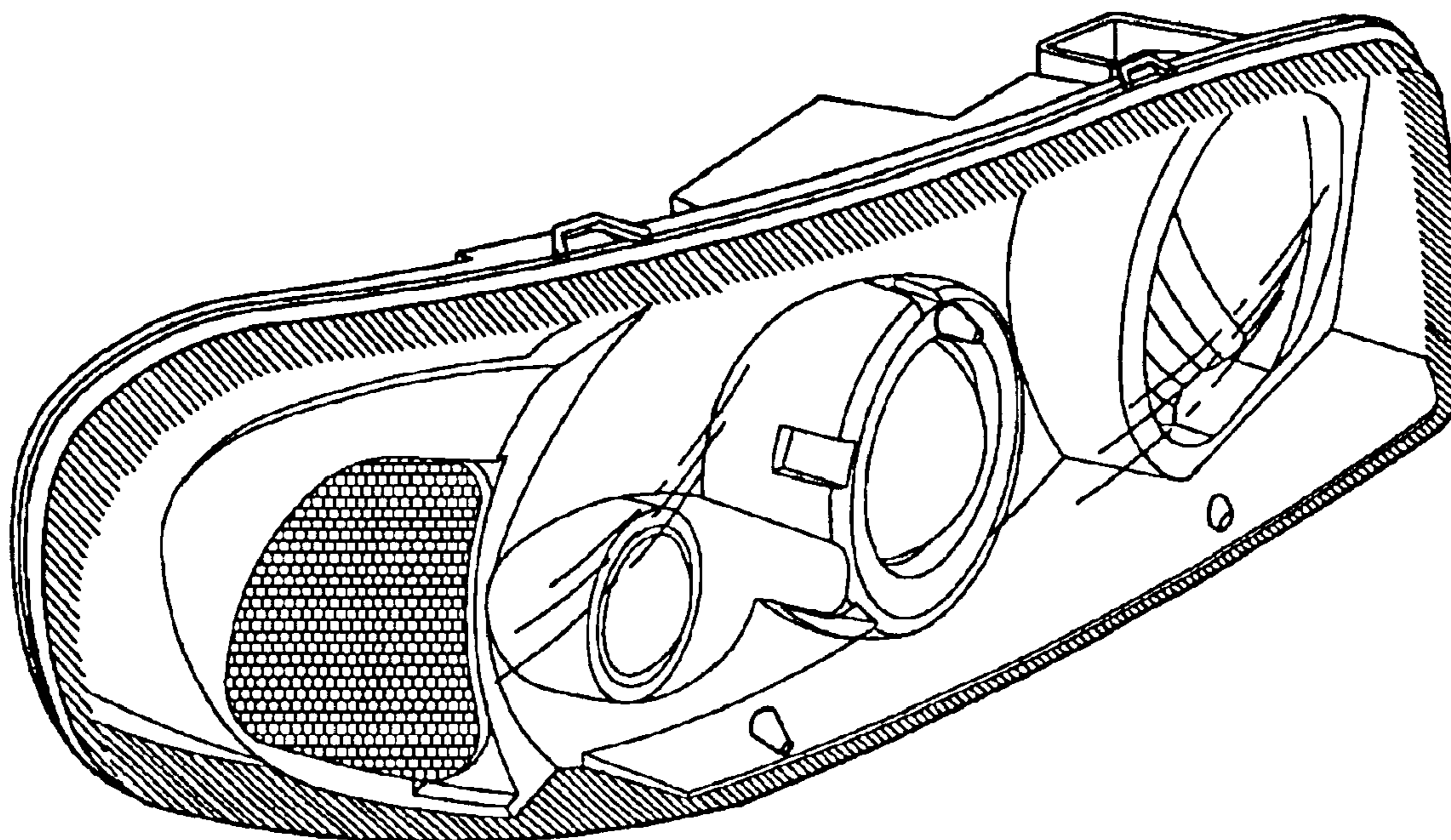
(51) **LOC (8) Cl.** ..... **26-04**  
(52) **U.S. Cl.** ..... **D26/28**  
(58) **Field of Search** ..... D26/28-36; 362/61, 362/80, 81, 82, 83, 83.4, 267, 269, 275, 330-340

FIG. 1 is a perspective view of automobile light showing my new design;  
FIG. 2 is a front elevational view thereof;  
FIG. 3 is a rear elevational view thereof;  
FIG. 4 is a left side elevational view thereof;  
FIG. 5 is a right side elevational view thereof;  
FIG. 6 is a top plan view thereof; and,  
FIG. 7 is a bottom plan view thereof.

(56) **References Cited**  
**U.S. PATENT DOCUMENTS**

D480,488 S \* 10/2003 Shih ..... D26/28

**1 Claim, 4 Drawing Sheets**



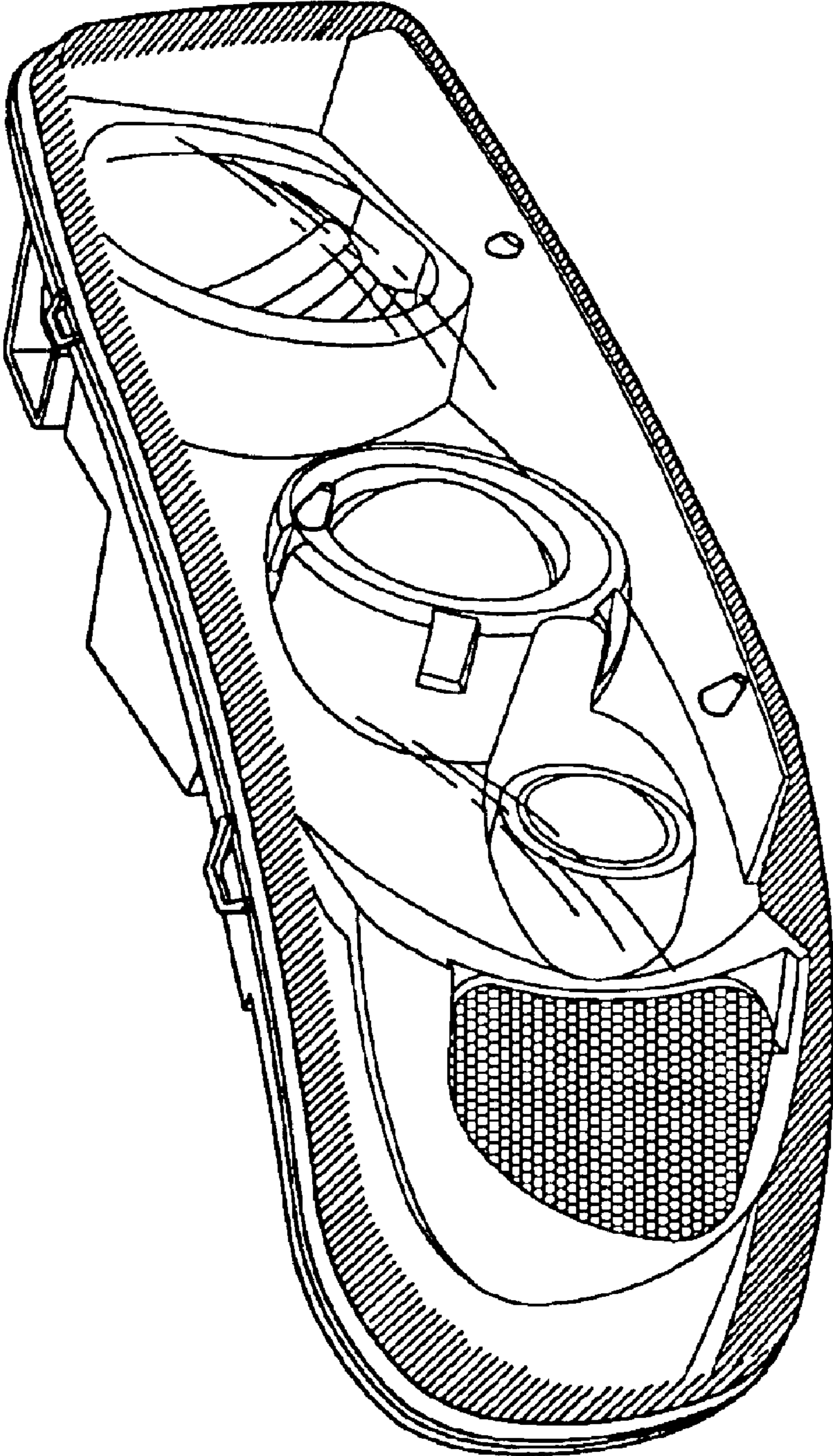


FIG. 1

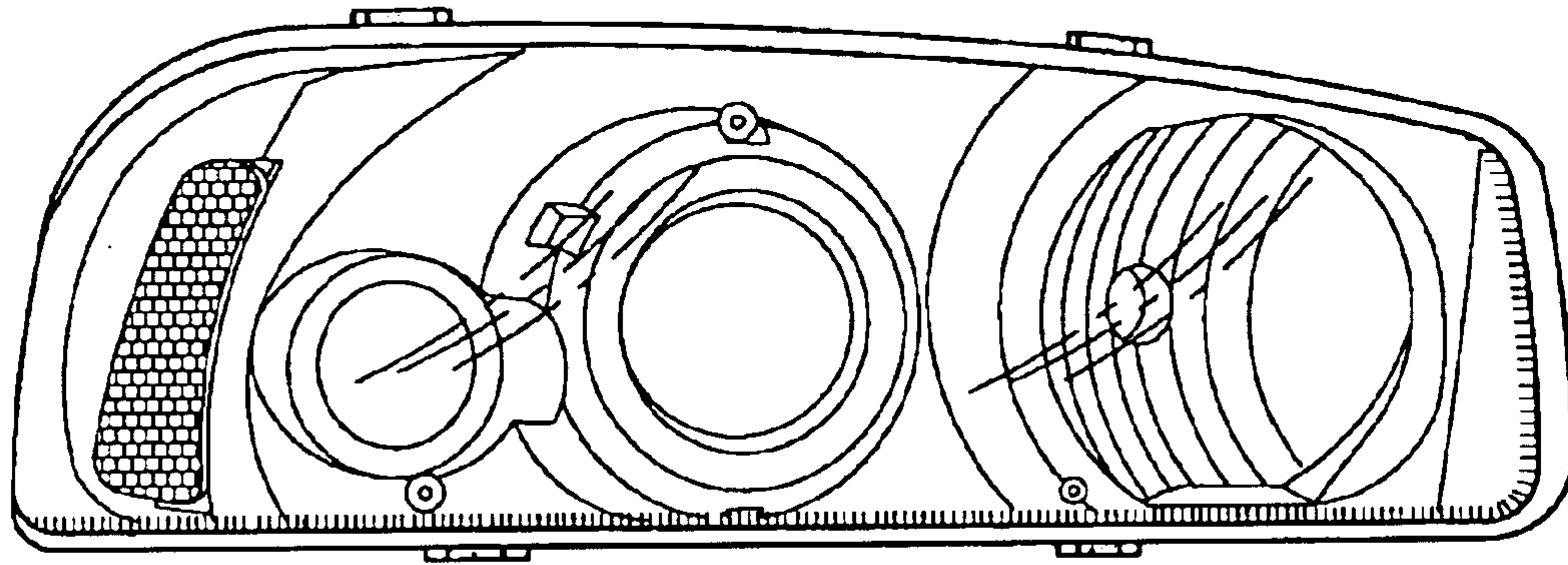


FIG. 2

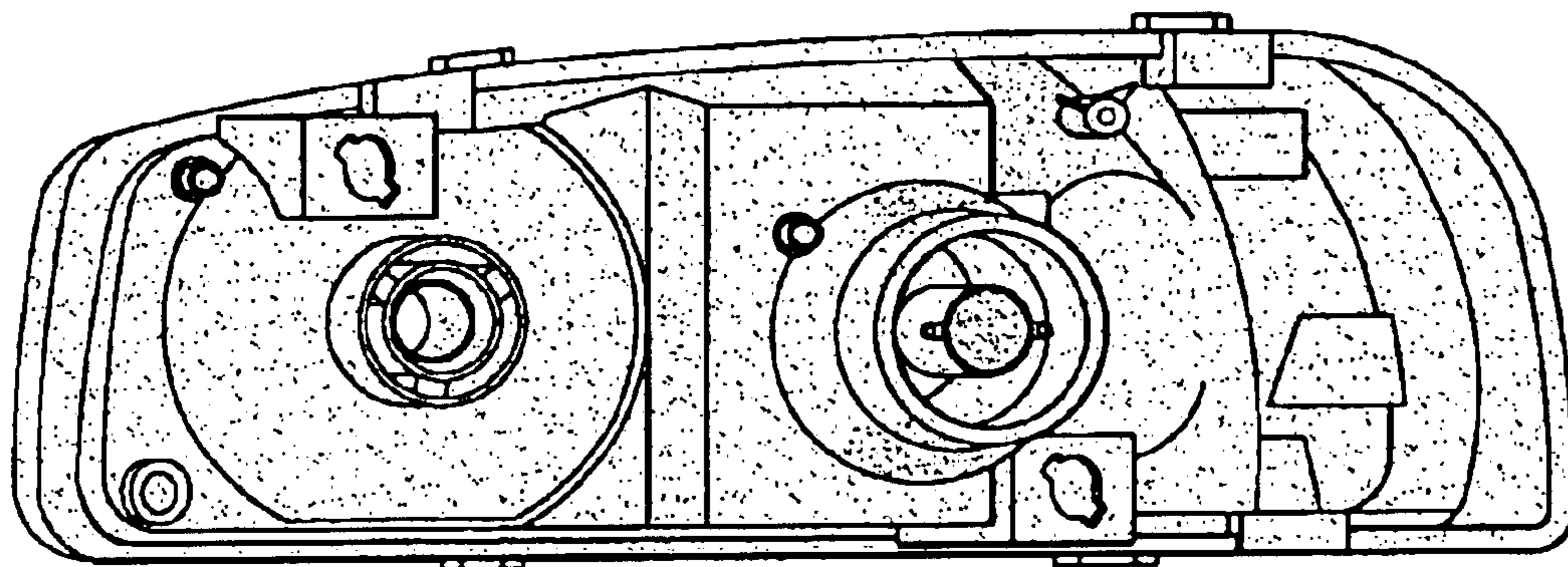


FIG. 3



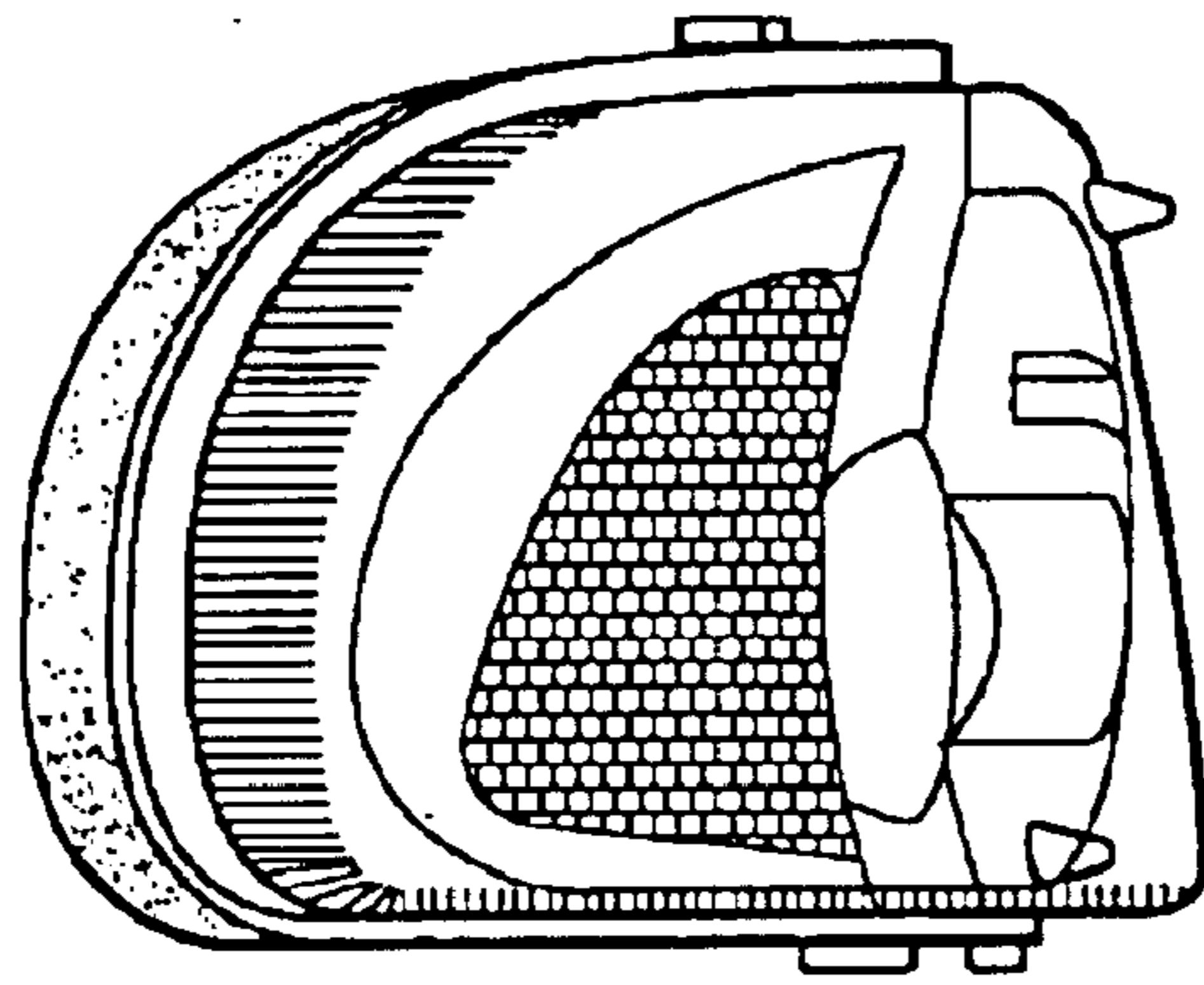


FIG. 4

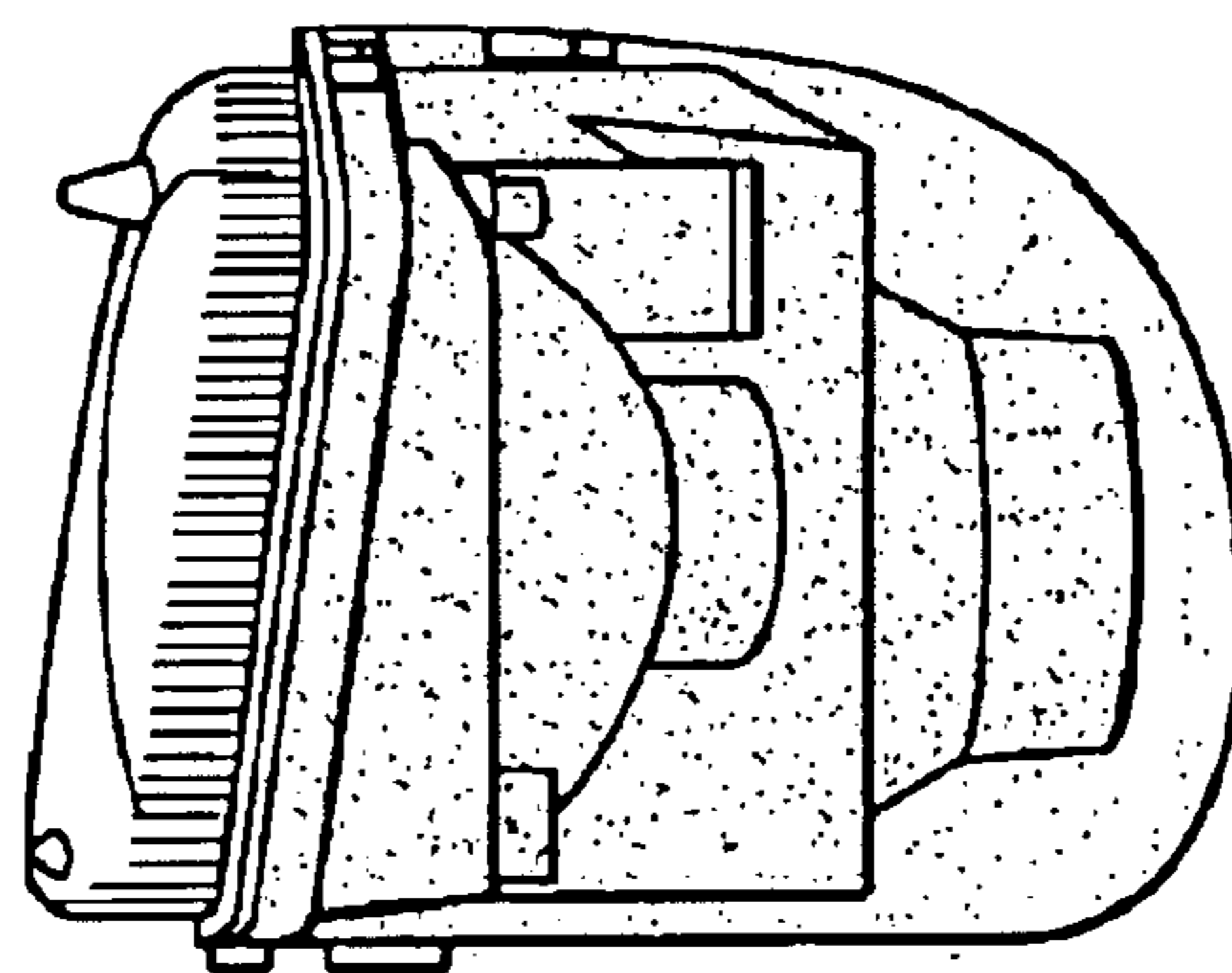


FIG. 5

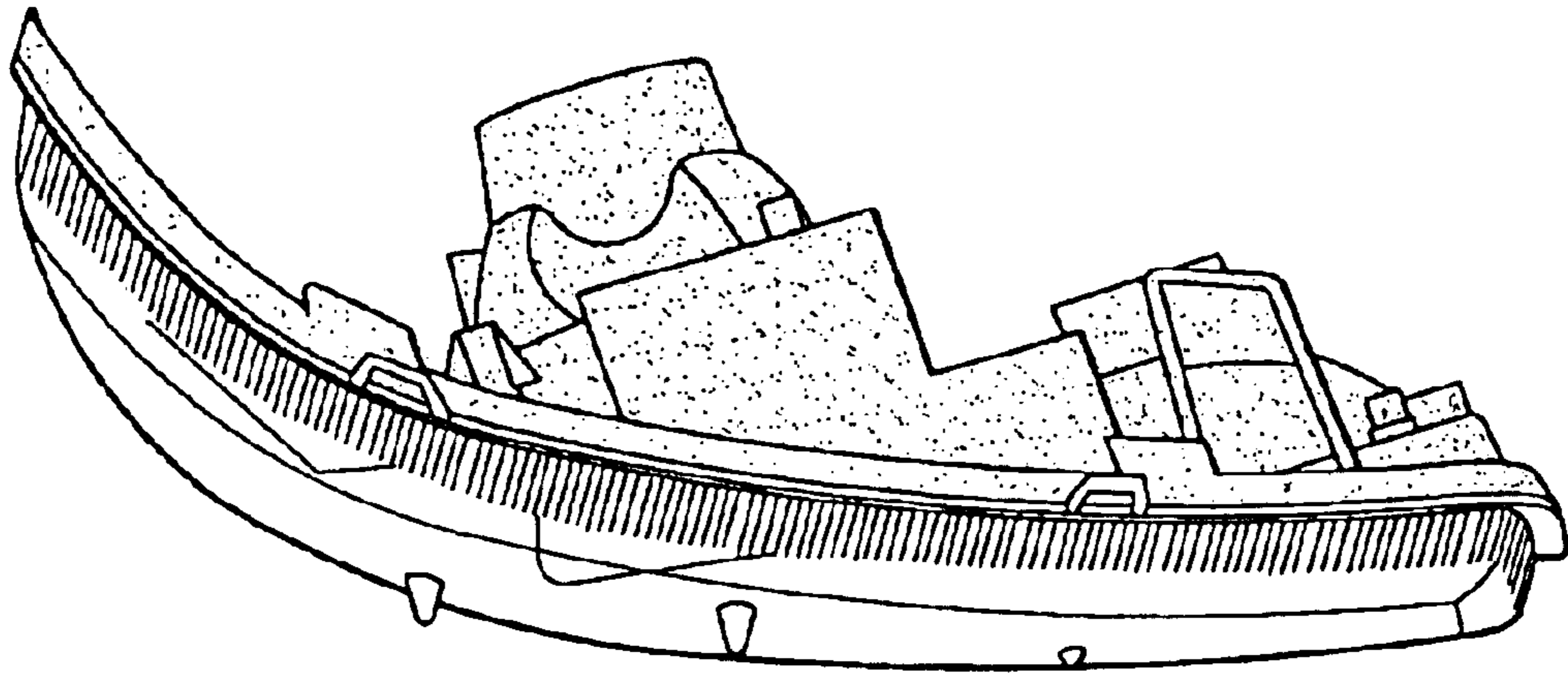


FIG. 6

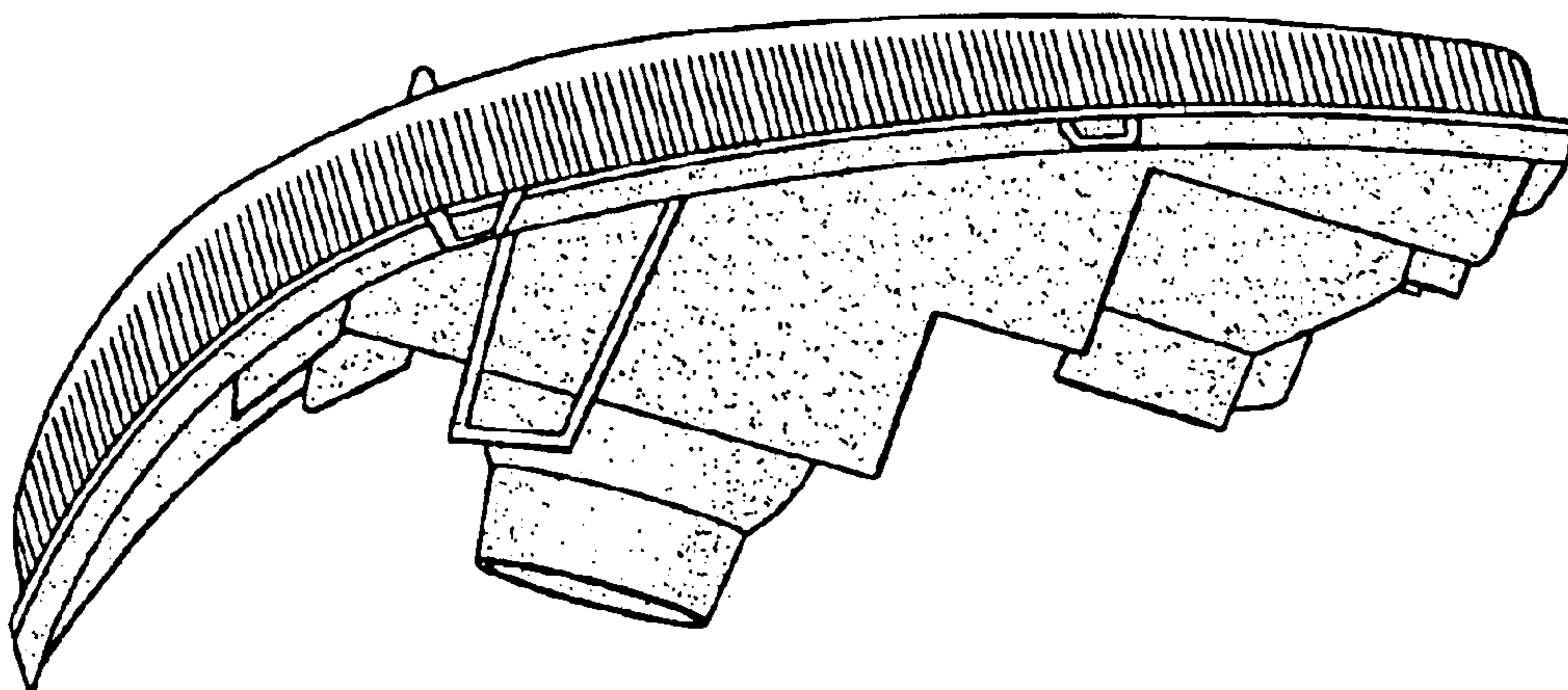


FIG. 7