



US00D506007S

(12) **United States Design Patent**  
**Best et al.**

(10) **Patent No.:** **US D506,007 S**  
(45) **Date of Patent:** **\*\* Jun. 7, 2005**

(54) **COMBINED BLOOD MONITORING AND DELIVERY UNIT**

(75) Inventors: **Jim Best**, Weehawken, NJ (US);  
**Timothy Jude Kennedy**, Staten Island, NY (US)

(73) Assignee: **Becton, Dickinson and Company**, Franklin Lakes, NJ (US)

(\*\*) Term: **14 Years**

(21) Appl. No.: **29/174,292**

(22) Filed: **Jan. 15, 2003**

(51) **LOC (8) Cl.** ..... **24-01**

(52) **U.S. Cl.** ..... **D24/169**

(58) **Field of Search** ..... D24/169, 186, D24/216, 185, 167, 111, 108; 600/583, 319, 368, 365, 316, 322, 584; 604/134, 151, 131, 152, 157, 154; 422/68.1, 73

(56) **References Cited**

**U.S. PATENT DOCUMENTS**

4,468,221 A \* 8/1984 Mayfield ..... 604/152  
D418,602 S \* 1/2000 Prokop et al. .... D24/169

D425,990 S \* 5/2000 Gravel et al. .... D24/169  
6,248,093 B1 \* 6/2001 Moberg ..... 604/131  
D461,891 S \* 8/2002 Moberg ..... D24/111  
2004/0138588 A1 \* 7/2004 Saikley et al. .... 600/583

\* cited by examiner

*Primary Examiner*—Ian Simmons

(74) *Attorney, Agent, or Firm*—Alan W. Fiedler

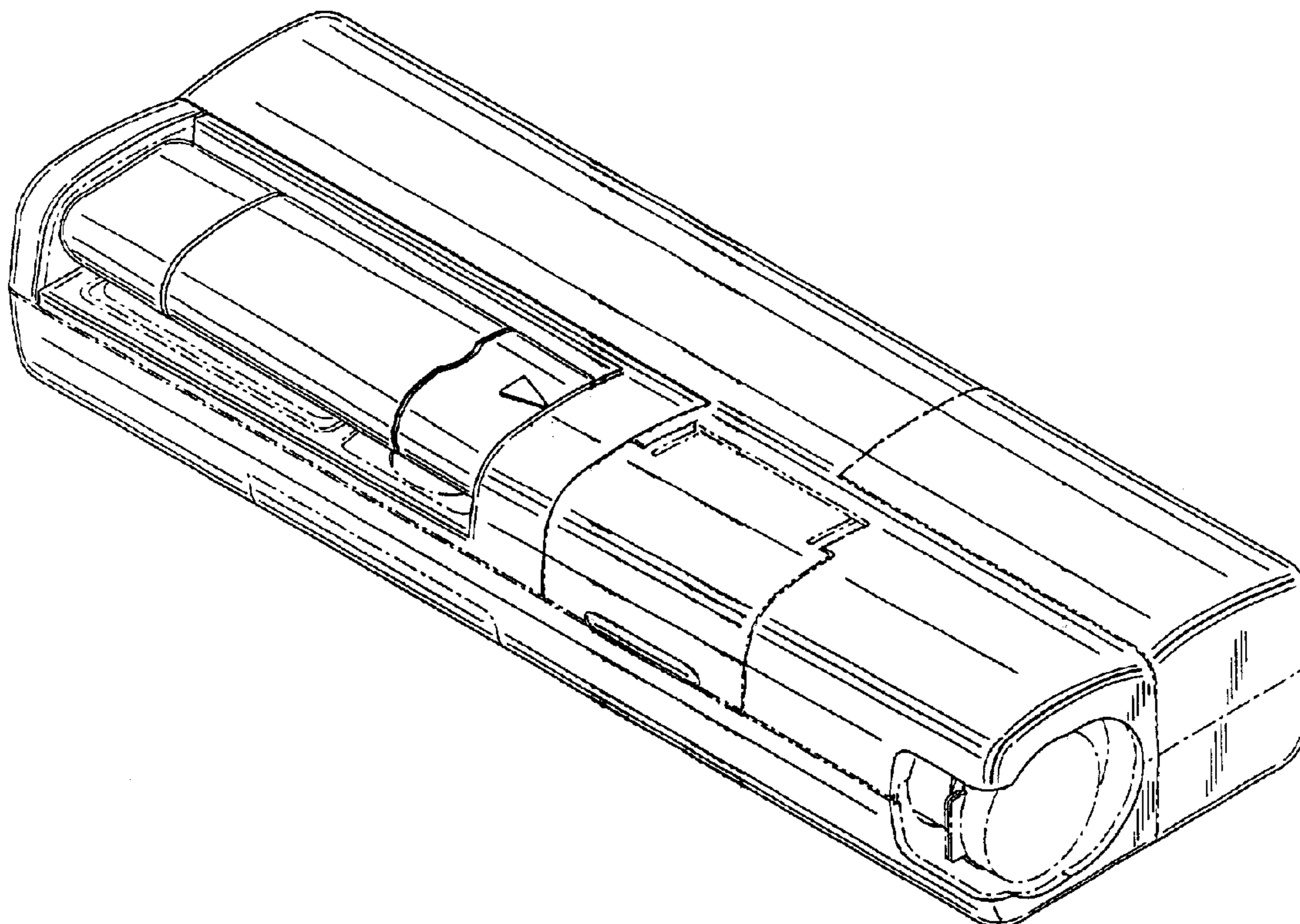
(57) **CLAIM**

The ornamental design for a combined blood monitoring and delivery unit, as shown and described.

**DESCRIPTION**

FIG. 1 is a front side perspective view of a combined blood monitoring and delivery unit shown in the design; FIG. 2 is a right side elevational view thereof; FIG. 3 is a left side elevational view thereof; FIG. 4 is a top plan view thereof; FIG. 5 is a front elevational view thereof; FIG. 6 is a rear elevational view thereof; and, FIG. 7 is a bottom plan view thereof. The broken lines showing are for illustrative purposes only and form no part of the claimed design.

**1 Claim, 6 Drawing Sheets**



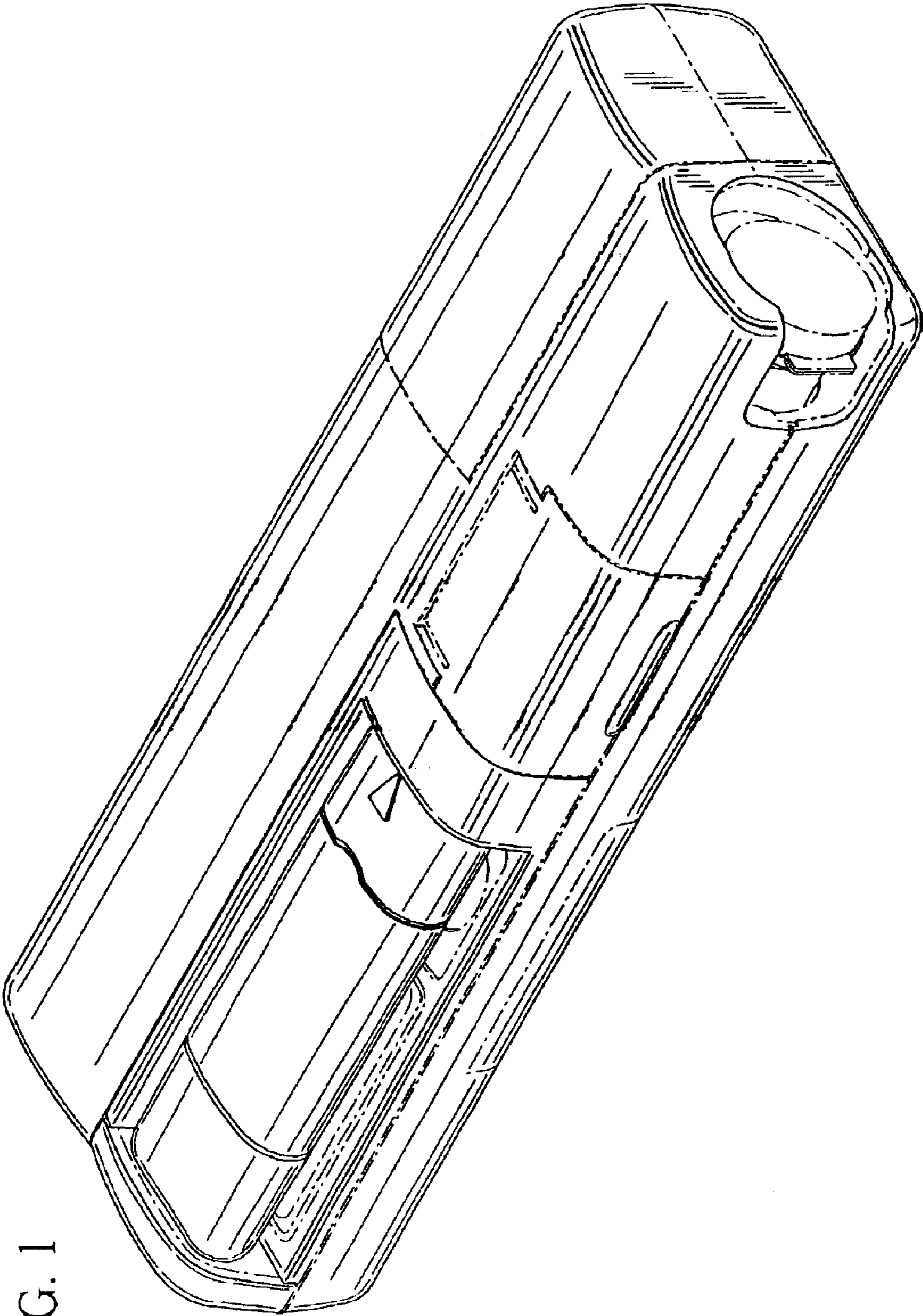


FIG. 1

FIG. 3

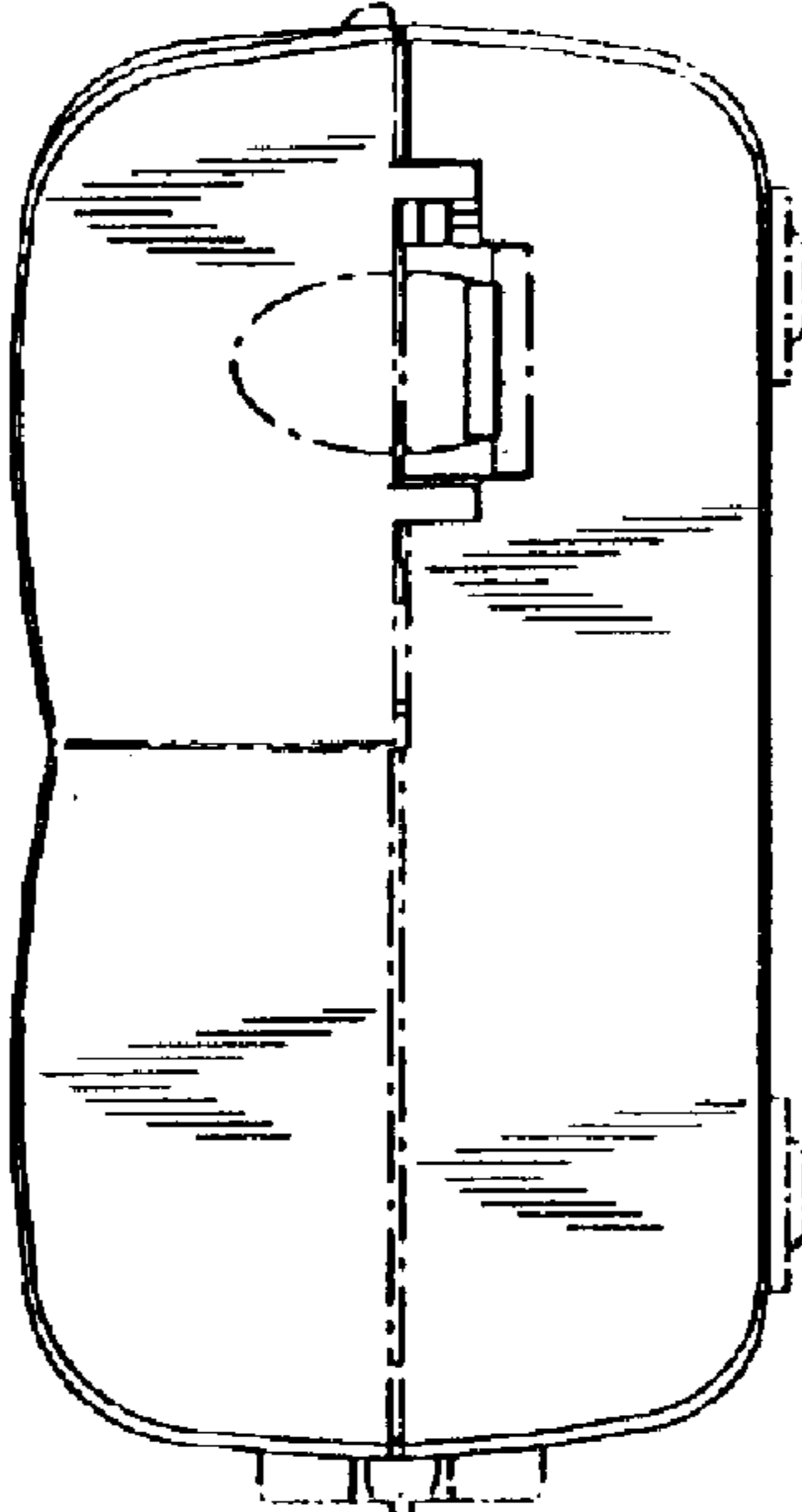


FIG. 2

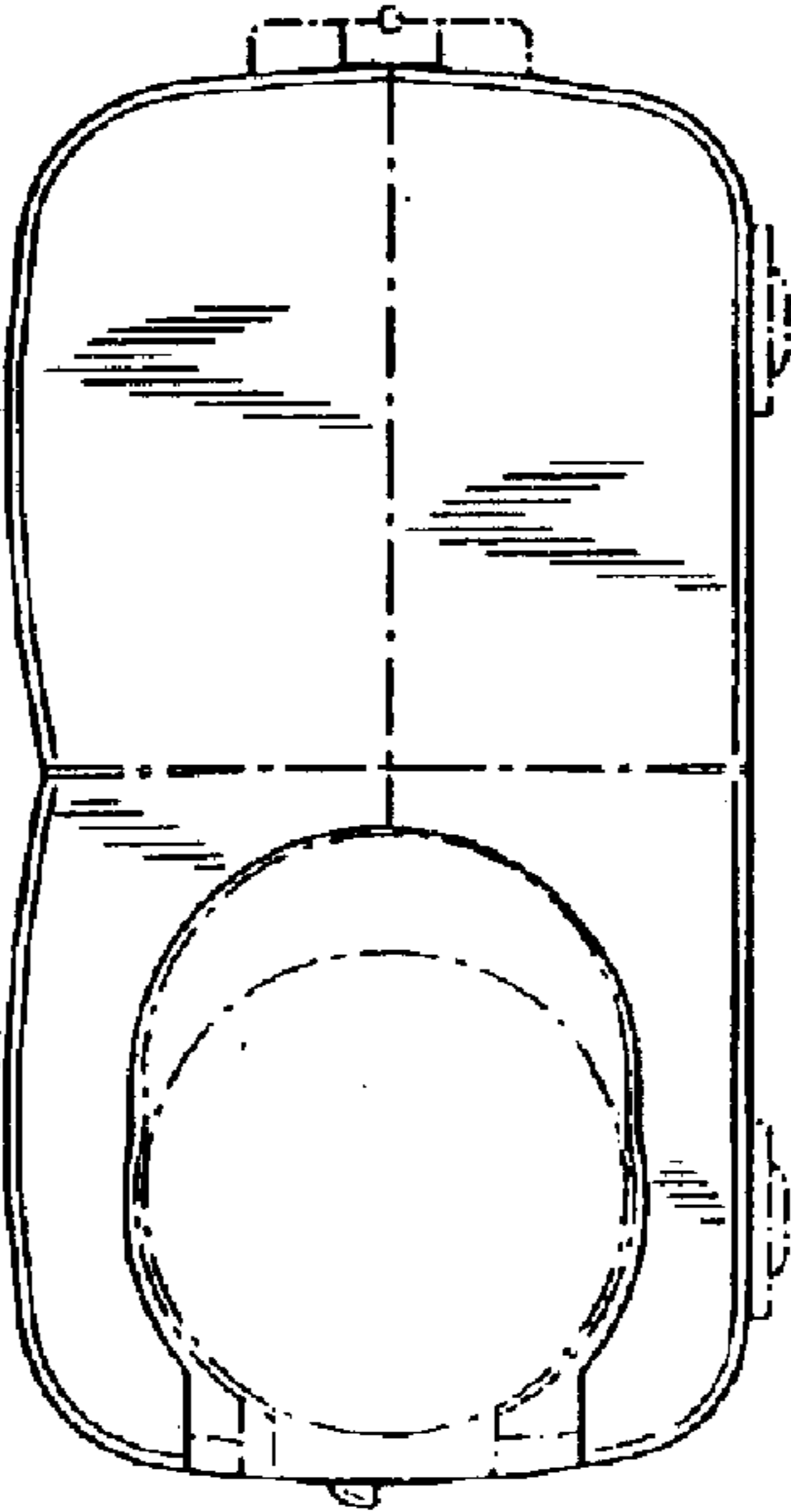
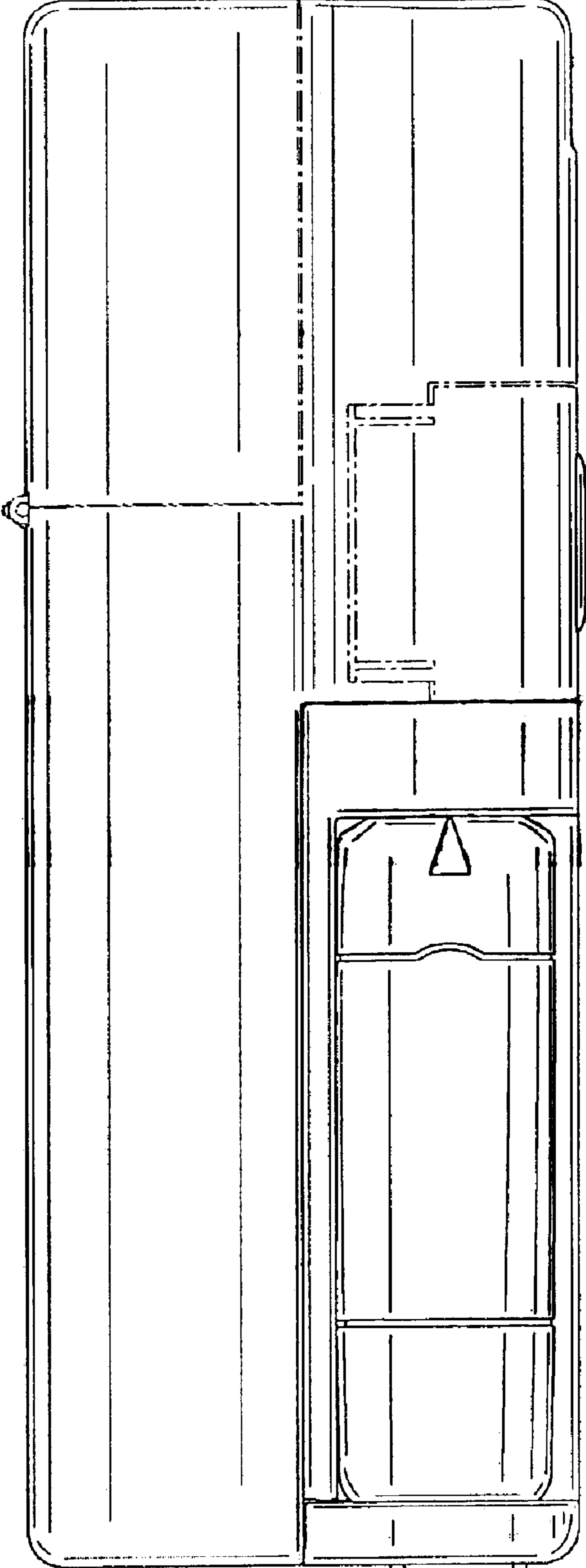


FIG. 4



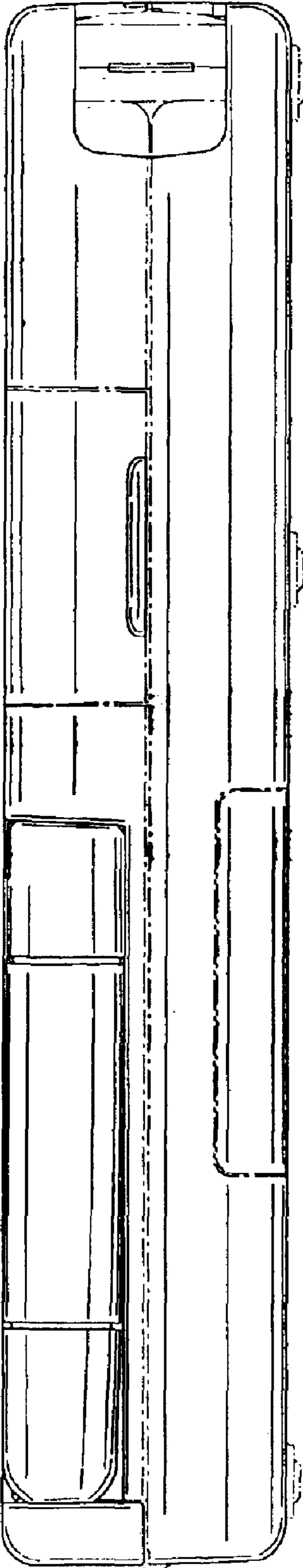


FIG. 5



FIG. 6

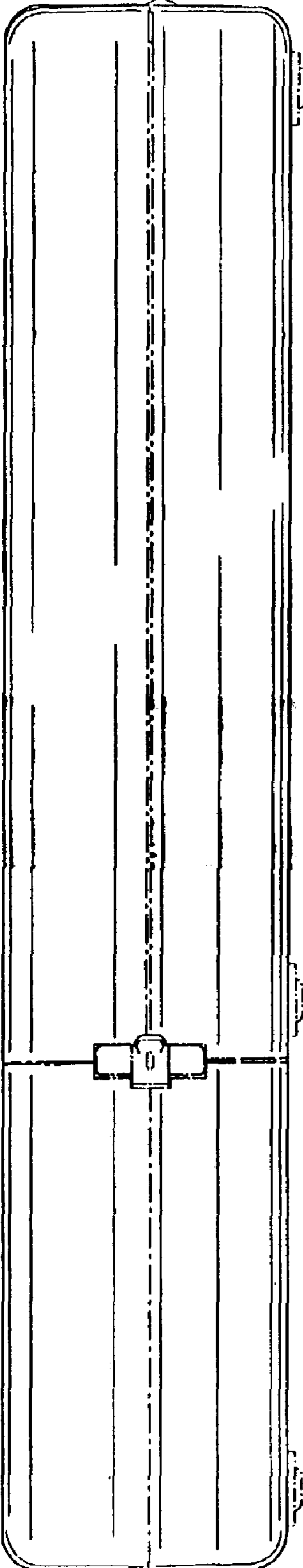


FIG. 7

