



US00D506006S

(12) **United States Design Patent**
Bristol

(10) **Patent No.:** **US D506,006 S**
(45) **Date of Patent:** **** Jun. 7, 2005**

(54) **SPINAL IMPLANT ANCHOR-PLATE WITH TANG FIXATION**

2003/0212403 A1 * 11/2003 Swanson 606/88

* cited by examiner

(75) Inventor: **Rodney E. Bristol**, St. Petersburg, FL (US)

Primary Examiner—Charles A. Rademaker
(74) *Attorney, Agent, or Firm*—McHale & Slavin

(73) Assignee: **Orthopedic Designs, Inc.**, FL (US)

(57) **CLAIM**

(**) Term: **14 Years**

The ornamental design for a spinal implant anchor-plate with tang fixation, as shown and described.

(21) Appl. No.: **29/192,496**

DESCRIPTION

(22) Filed: **Oct. 24, 2003**

(51) **LOC (8) Cl.** **24-03**

(52) **U.S. Cl.** **D24/155**

(58) **Field of Search** D24/145, 155;
623/22.18, 88, 22.34

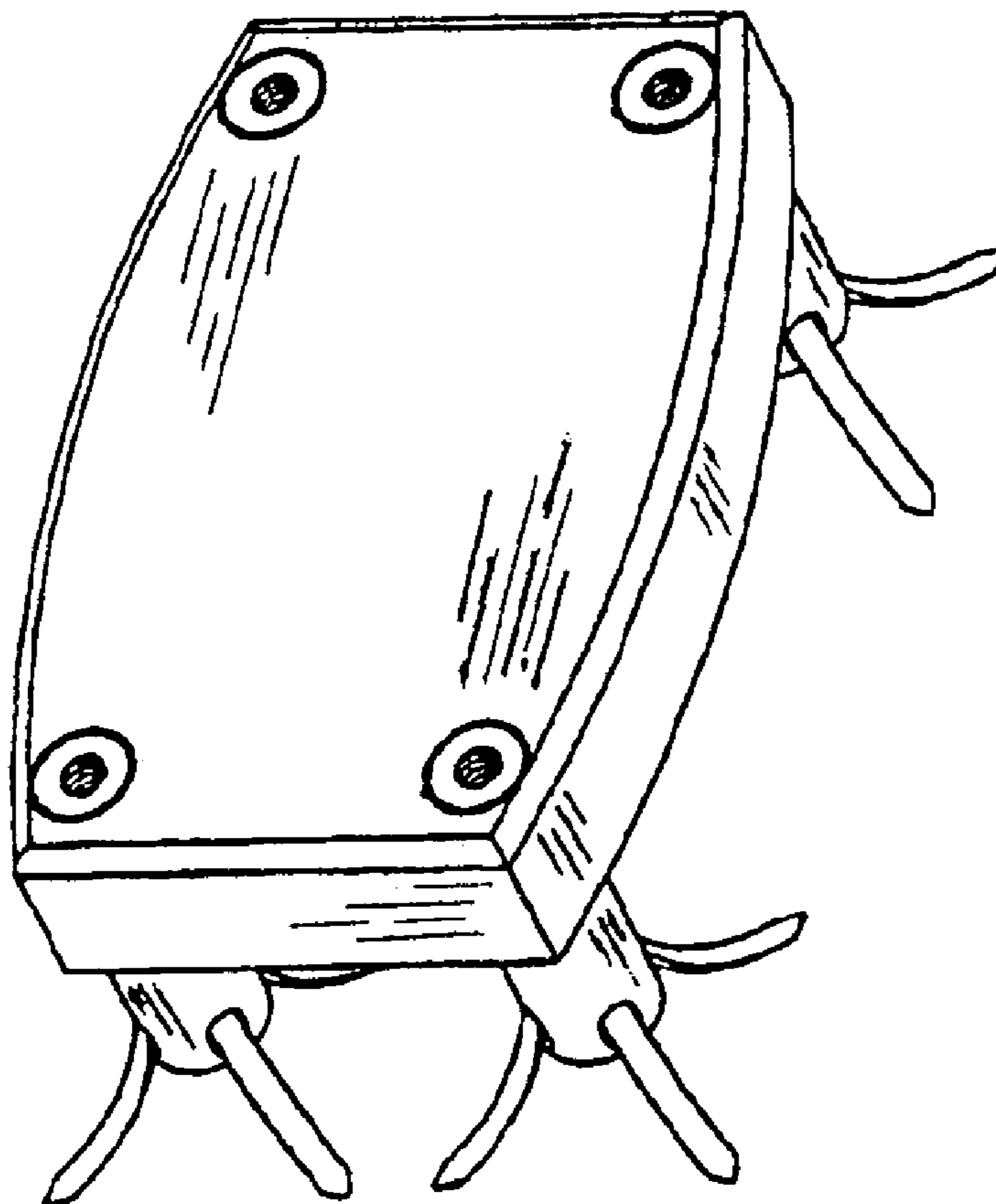
FIG. 1 is a top perspective view of a spinal implant anchor-plate with tang fixation;
FIG. 2 is a side perspective view thereof;
FIG. 3 is another top perspective view thereof with the tang fixation in a retracted position;
FIG. 4 is a side perspective view thereof with the tang fixation in a retracted position;
FIG. 5 is a top plan view of the design shown in FIG. 1;
FIG. 6 is an end elevation view thereof, the side opposite being a mirror image; and,
FIG. 7 is a side elevation view thereof, the side opposite being a mirror image.

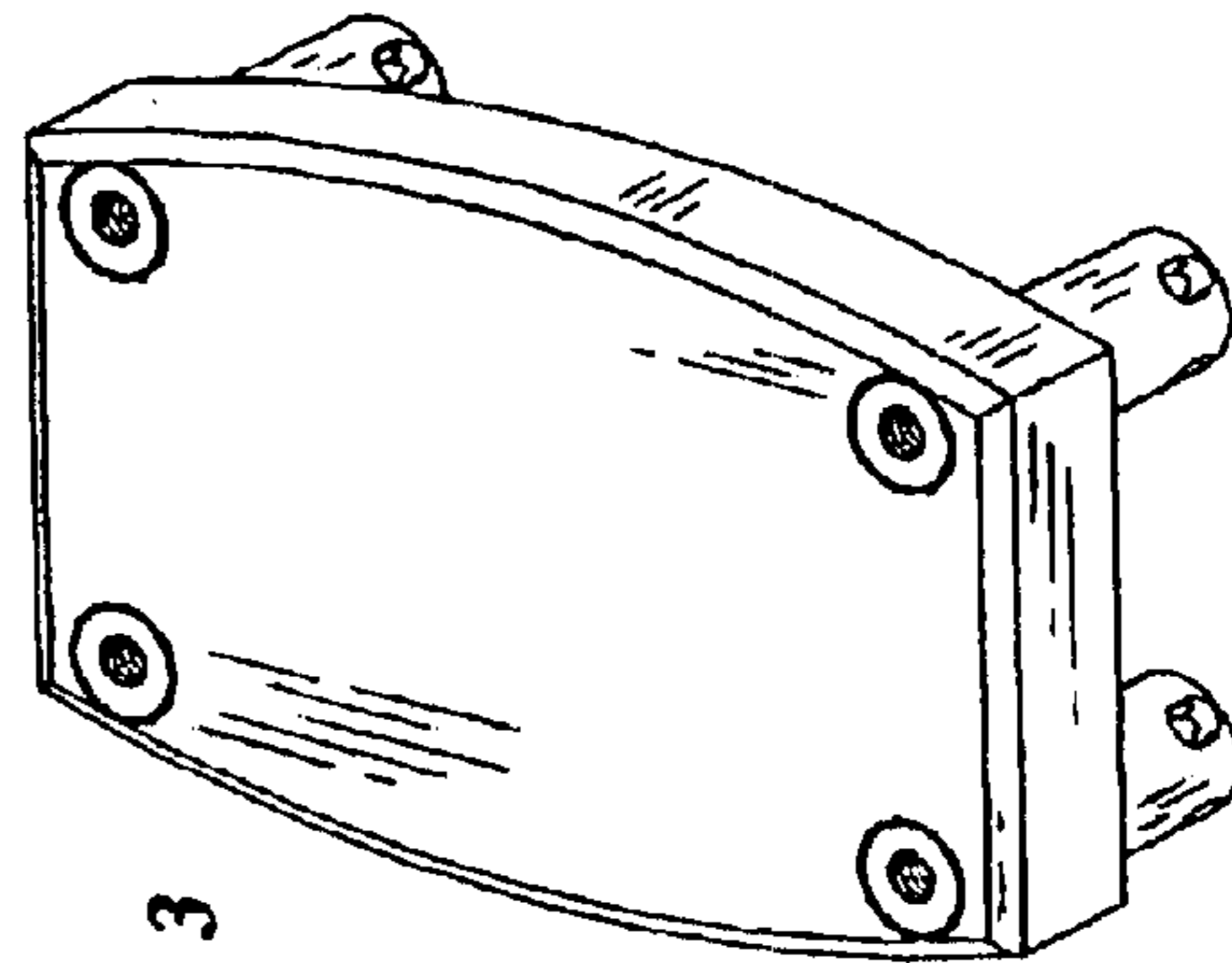
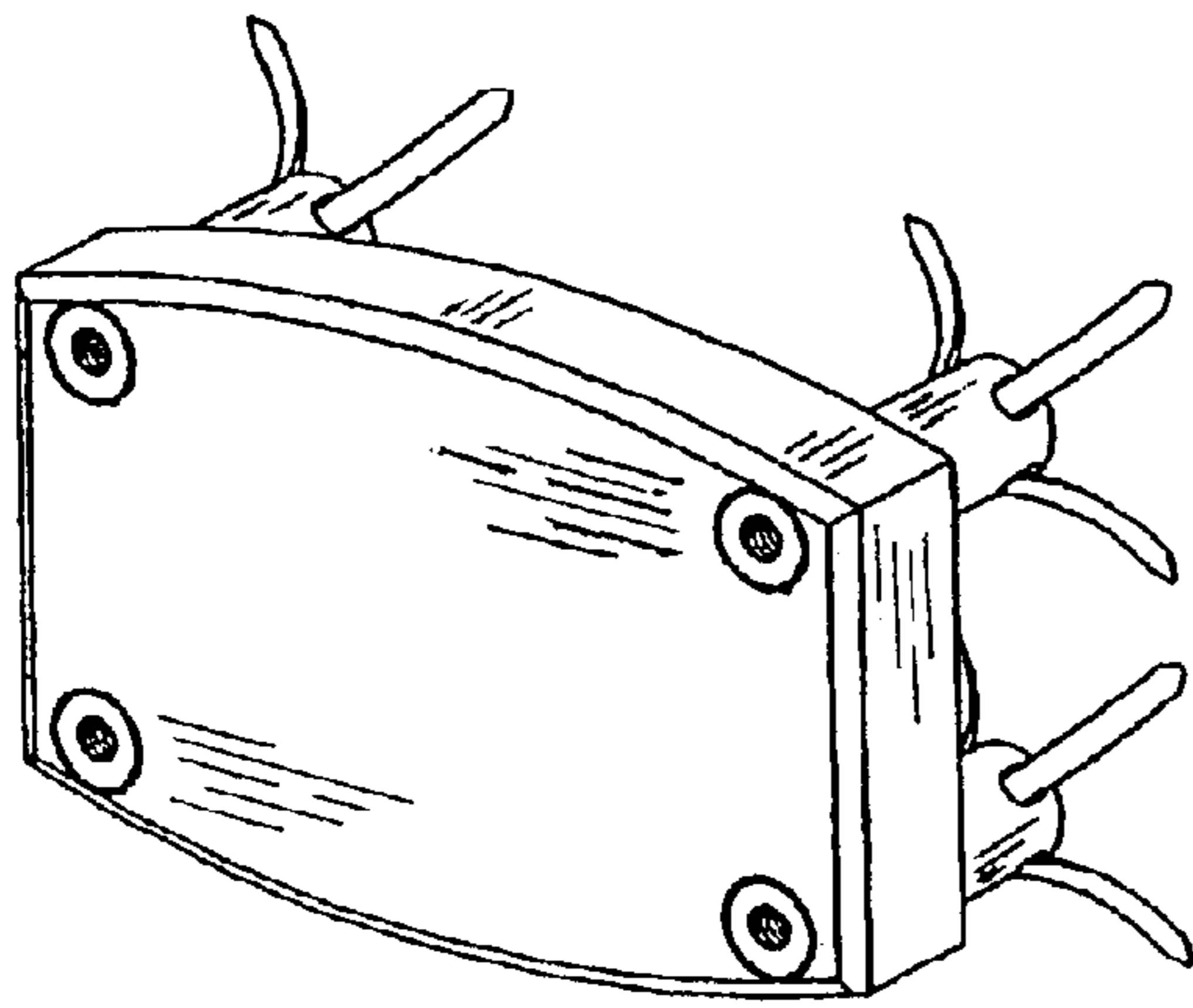
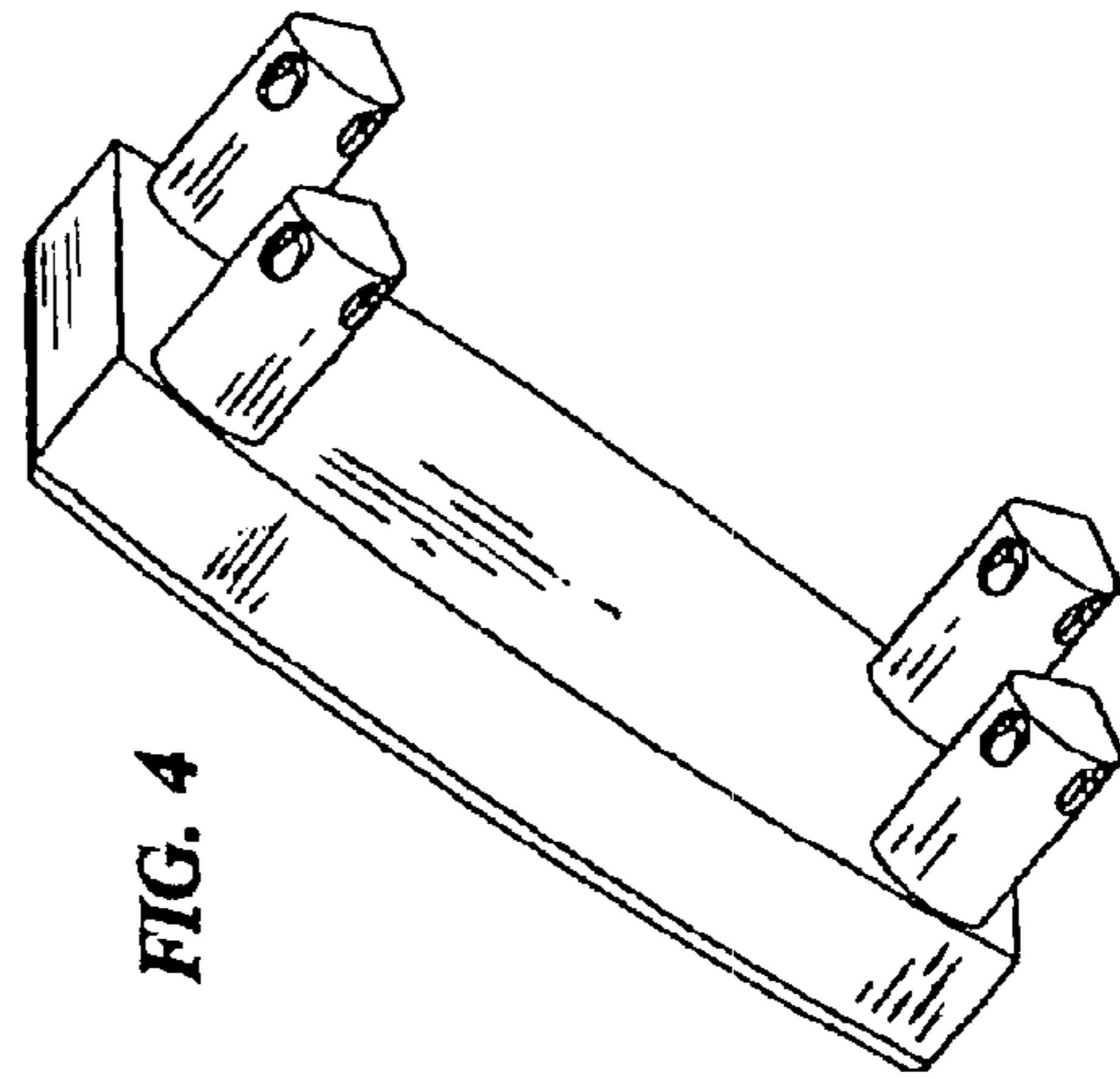
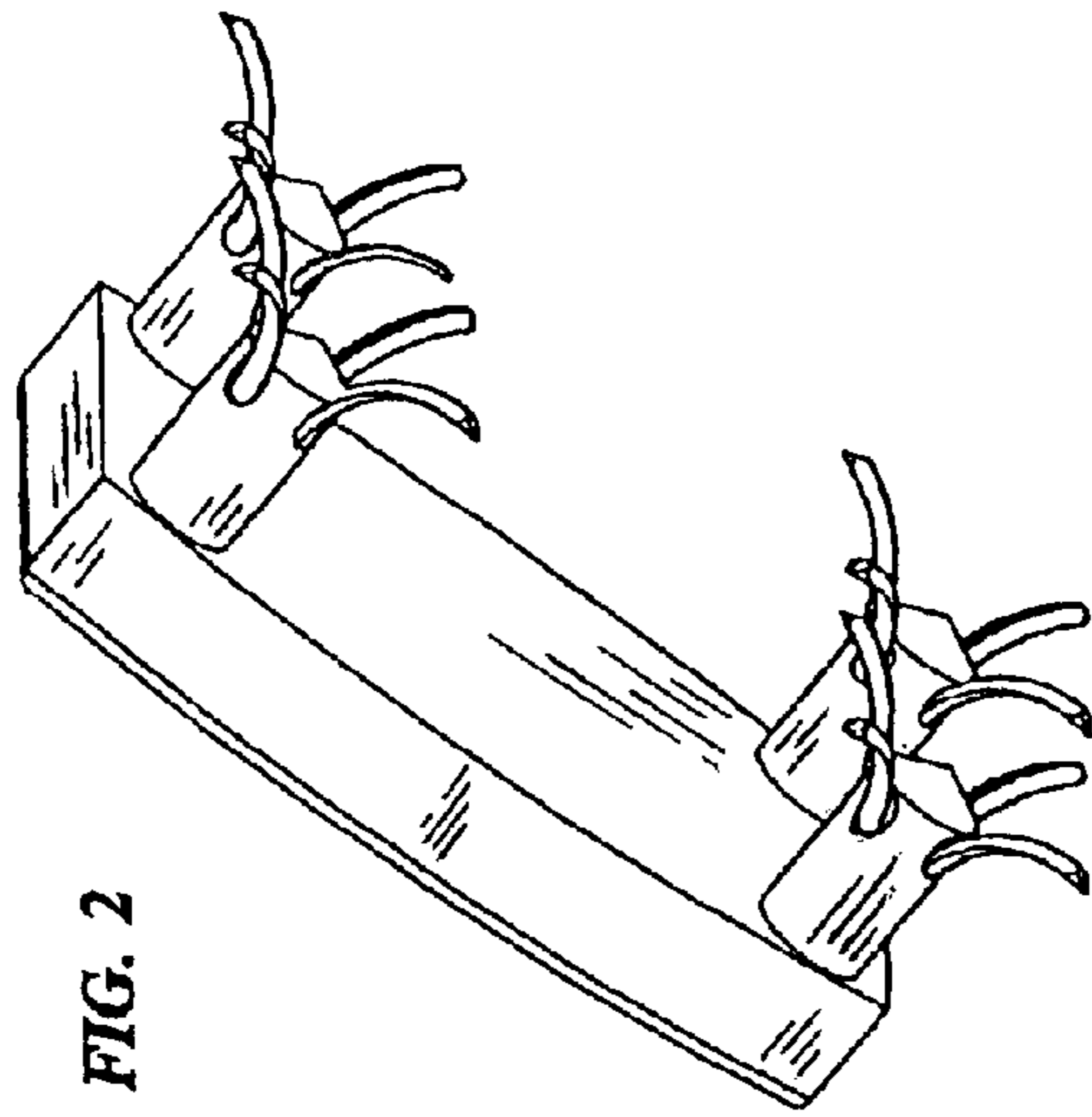
(56) **References Cited**

U.S. PATENT DOCUMENTS

5,092,897	A	*	3/1992	Forte	623/22.18
D374,482	S	*	10/1996	Goble et al.	D24/145
D425,989	S	*	5/2000	Michelson	D24/155
D442,691	S	*	5/2001	Michelson	D24/155
D462,766	S	*	9/2002	Jacobs et al.	D24/146
D493,224	S	*	7/2004	Cosgrove	D24/155

1 Claim, 2 Drawing Sheets





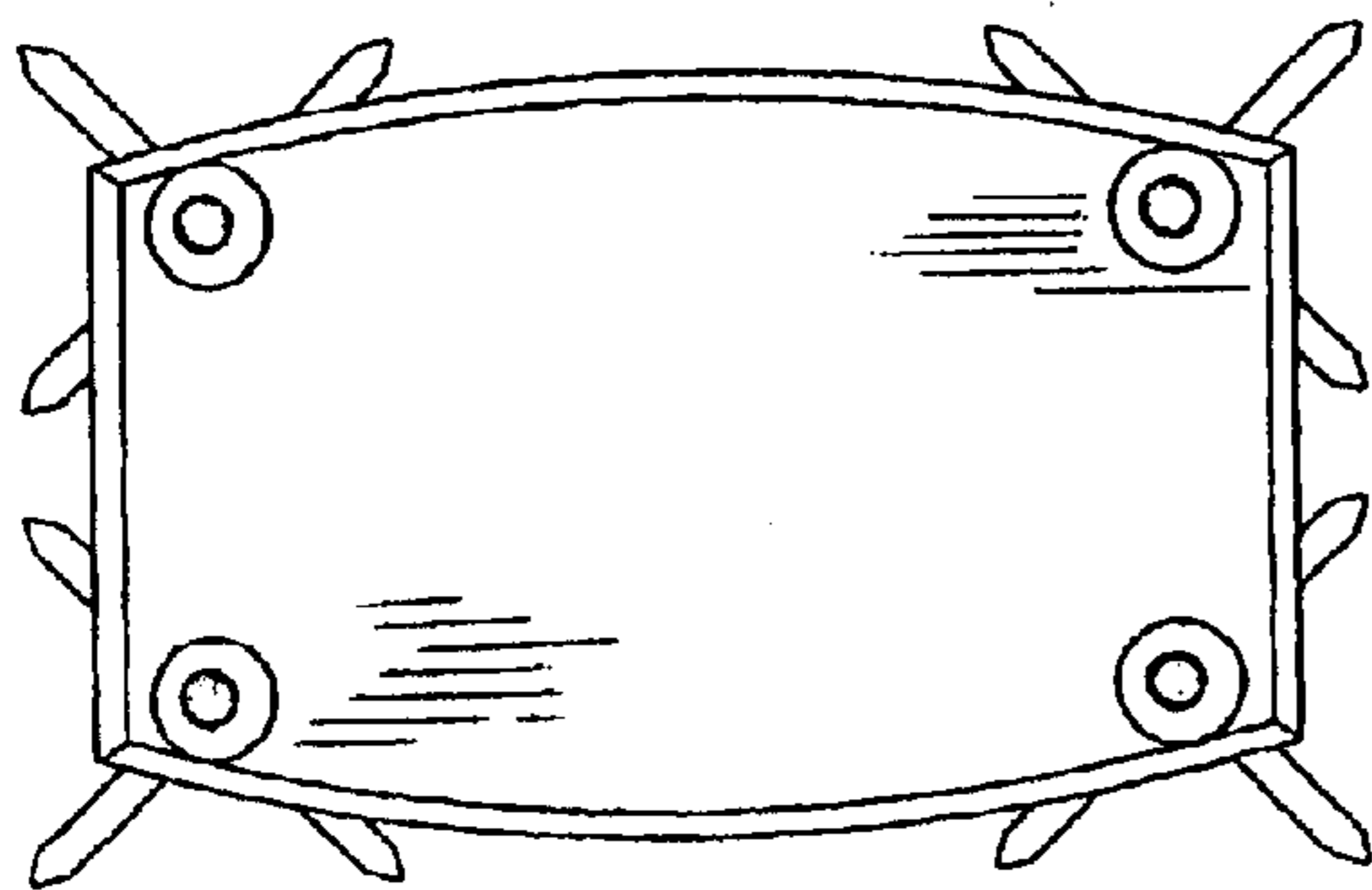


FIG. 5

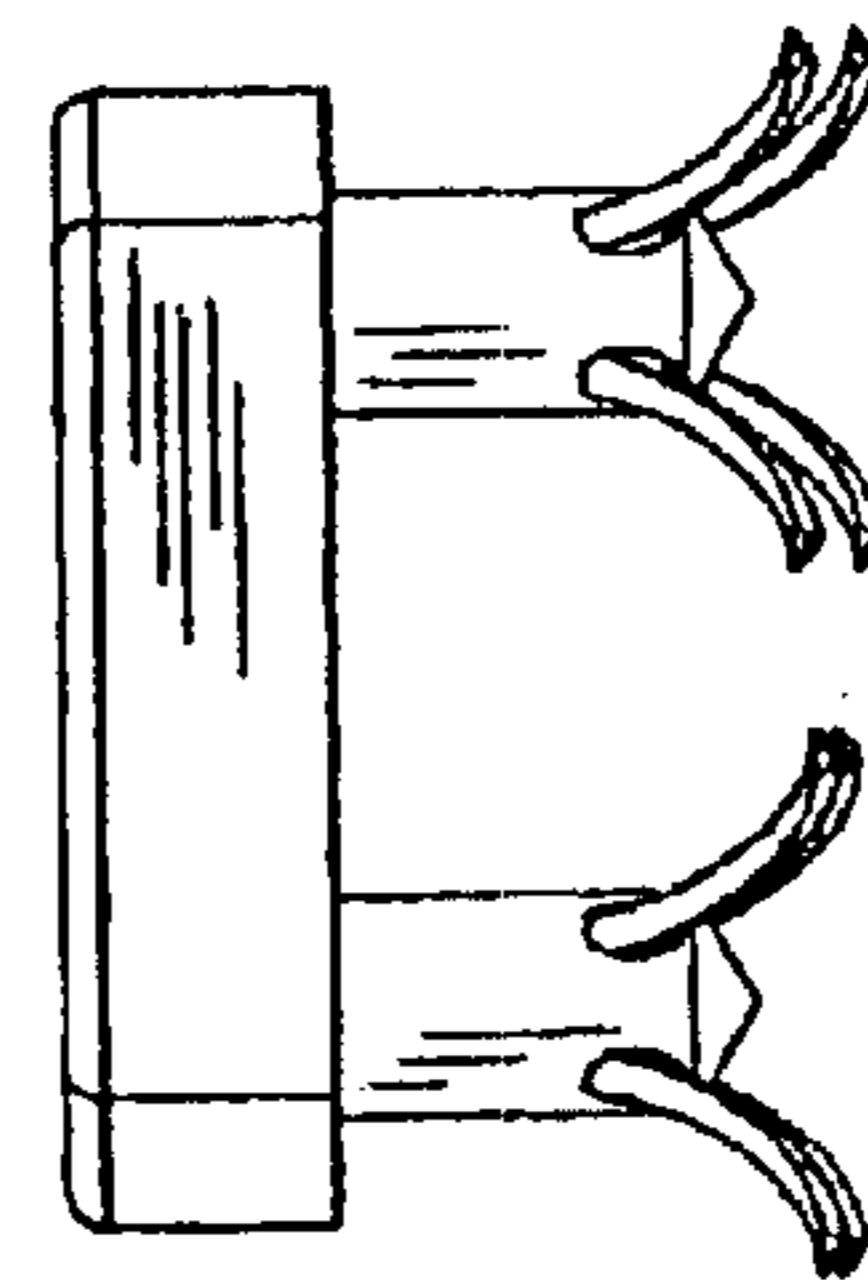


FIG. 6

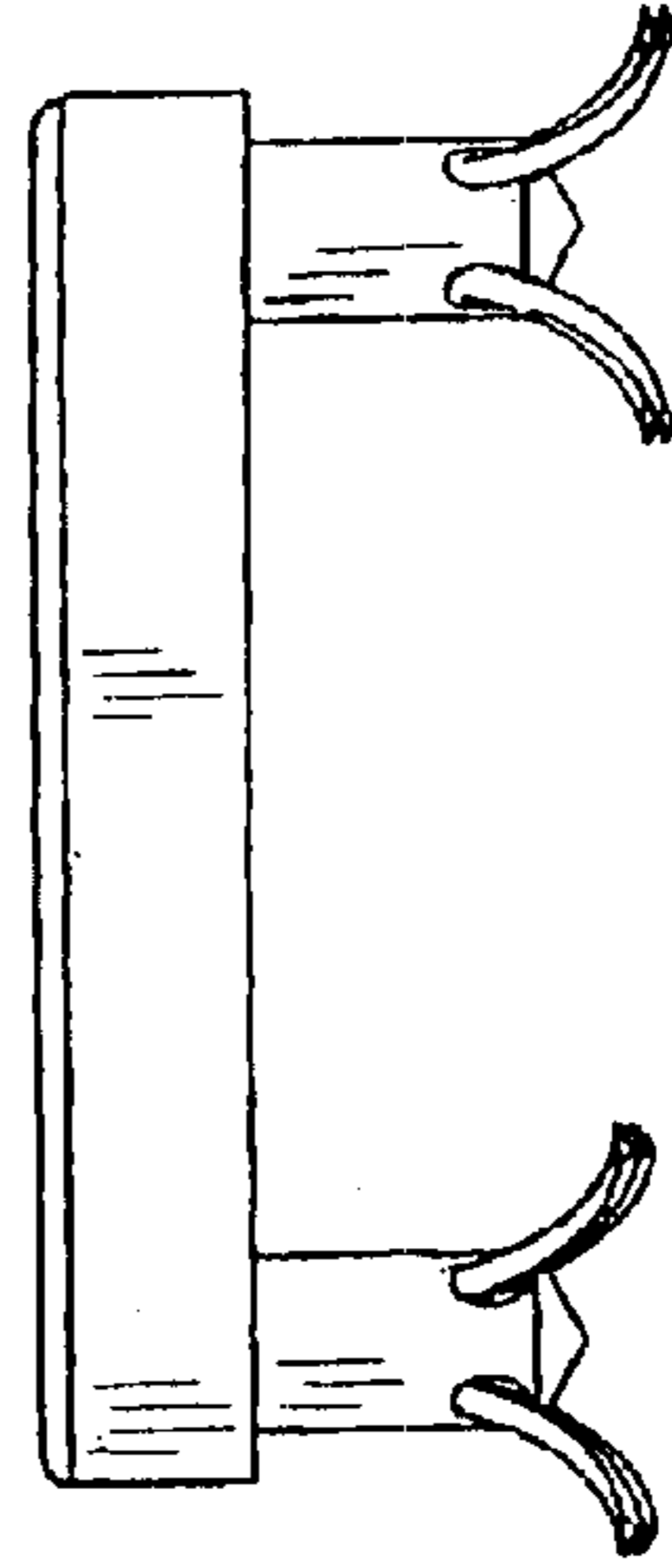


FIG. 7