



US00D506004S

(12) **United States Design Patent**
Young

(10) **Patent No.:** **US D506,004 S**
(45) **Date of Patent:** **** Jun. 7, 2005**

(54) **CEILING FAN BLADE IRON ASSEMBLY**

(75) Inventor: **Stanfield Young**, Garden Grove, CA
(US)

(73) Assignee: **Minka Lighting, Inc.**, Corona, CA
(US)

(**) Term: **14 Years**

(21) Appl. No.: **29/193,419**

(22) Filed: **Nov. 7, 2003**

(51) **LOC (8) Cl.** **23-04**

(52) **U.S. Cl.** **D23/411**

(58) **Field of Search** D23/377, 411,
D23/379, 385, 413; 416/5; D26/59, 51,
72, 81-88

(56) **References Cited**

U.S. PATENT DOCUMENTS

D376,421 S	12/1996	Jaspers-Fayer	D23/377
D378,404 S	* 3/1997	Jaspers-Fayer	D23/377
D410,100 S	* 5/1999	Jaspers-Fayer	D26/59

* cited by examiner

Primary Examiner—Lisa Lichtenstein

(74) *Attorney, Agent, or Firm*—Baker & McKenzie LLP

(57) **CLAIM**

The ornamental design for a ceiling fan blade iron assembly, as shown and described.

DESCRIPTION

FIG. 1 is a perspective view from below of a ceiling fan blade iron assembly in accordance with my design;

FIG. 2 is an enlarged perspective view from below of a ceiling fan blade iron assembly in accordance with my design;

FIG. 3 is a bottom plan view of the ceiling fan blade iron assembly in accordance with my design;

FIG. 4 is a top plan view of the ceiling fan blade iron assembly in accordance with my design;

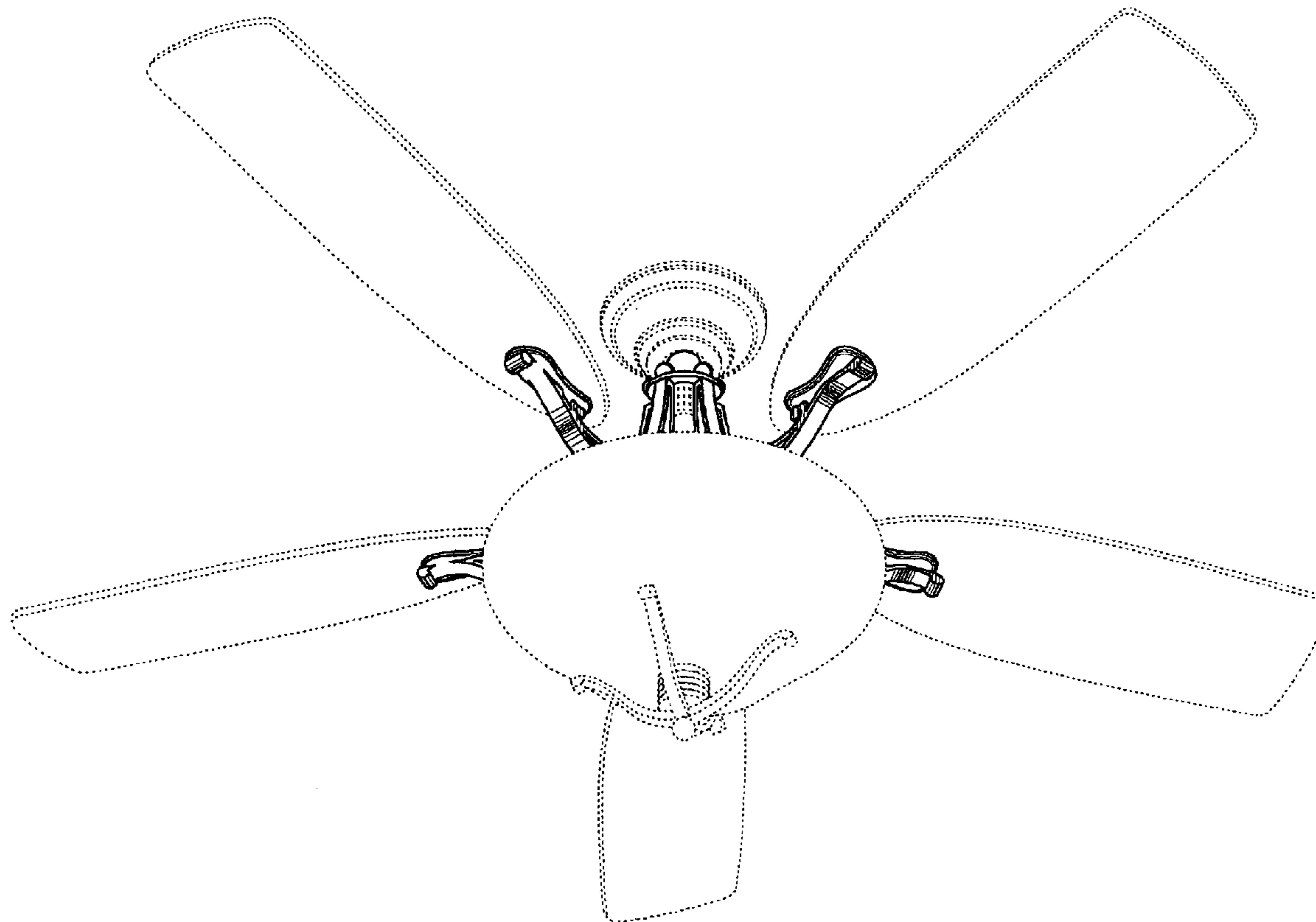
FIG. 5 is a front elevation view of the ceiling fan blade iron assembly in accordance with my design; and,

FIG. 6 is a side elevation view of the ceiling fan blade iron assembly in accordance with my design.

FIGS. 5 and 6 are identical except for the positioning of the fan blades.

The broken lines showing environmental structure are for illustrative purposes and form no part of the claimed design.

1 Claim, 6 Drawing Sheets



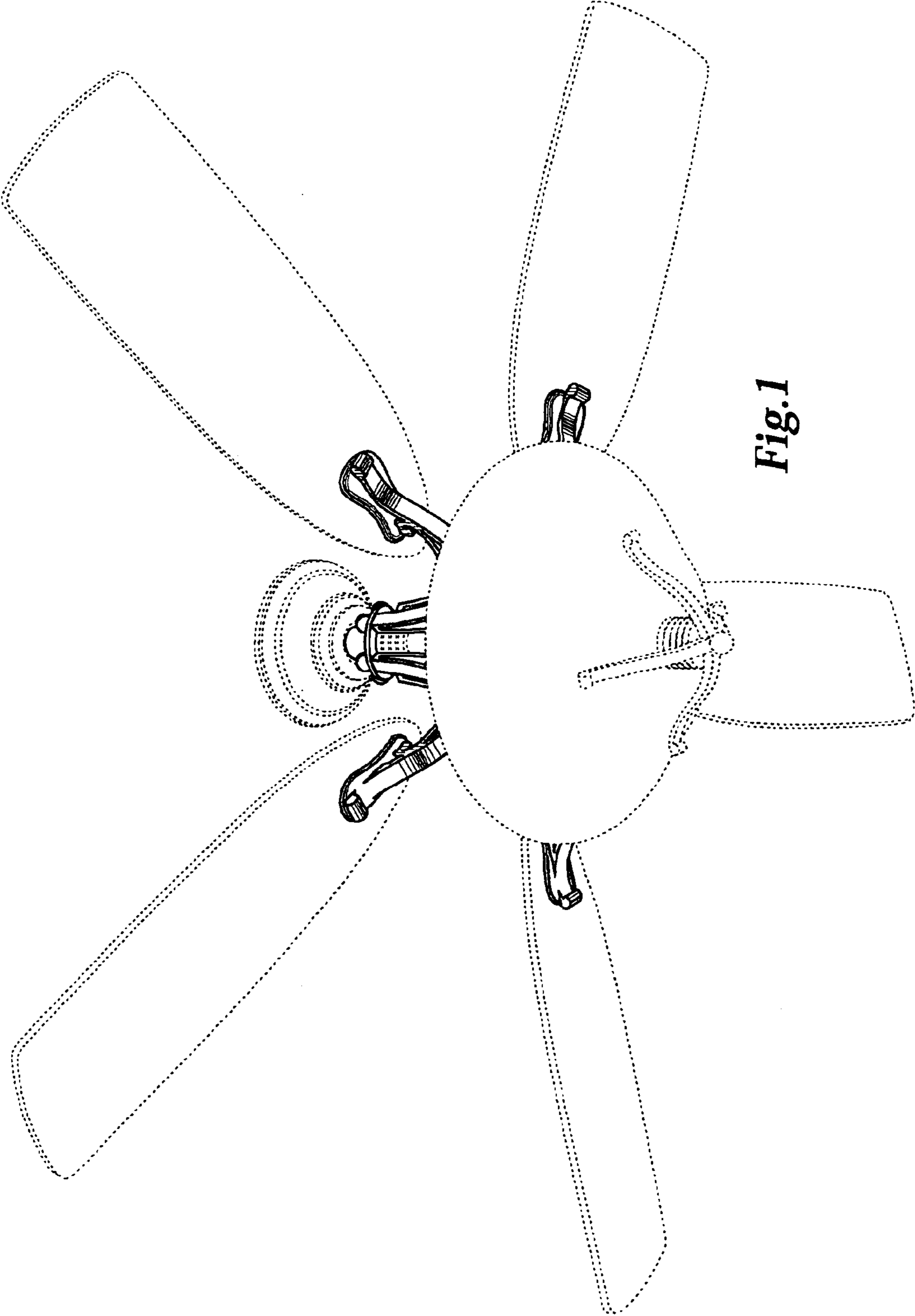


Fig. 1

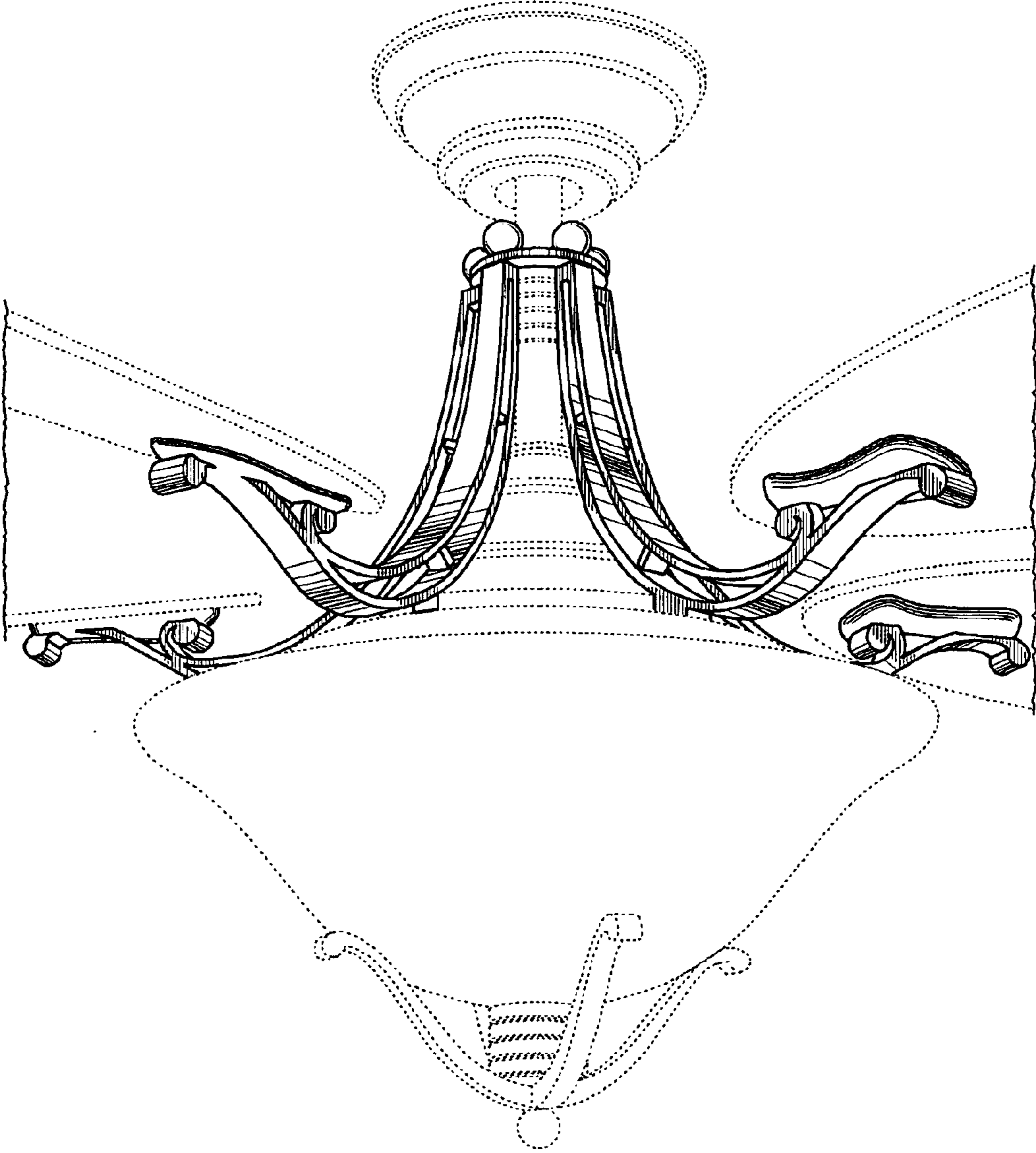


Fig.2

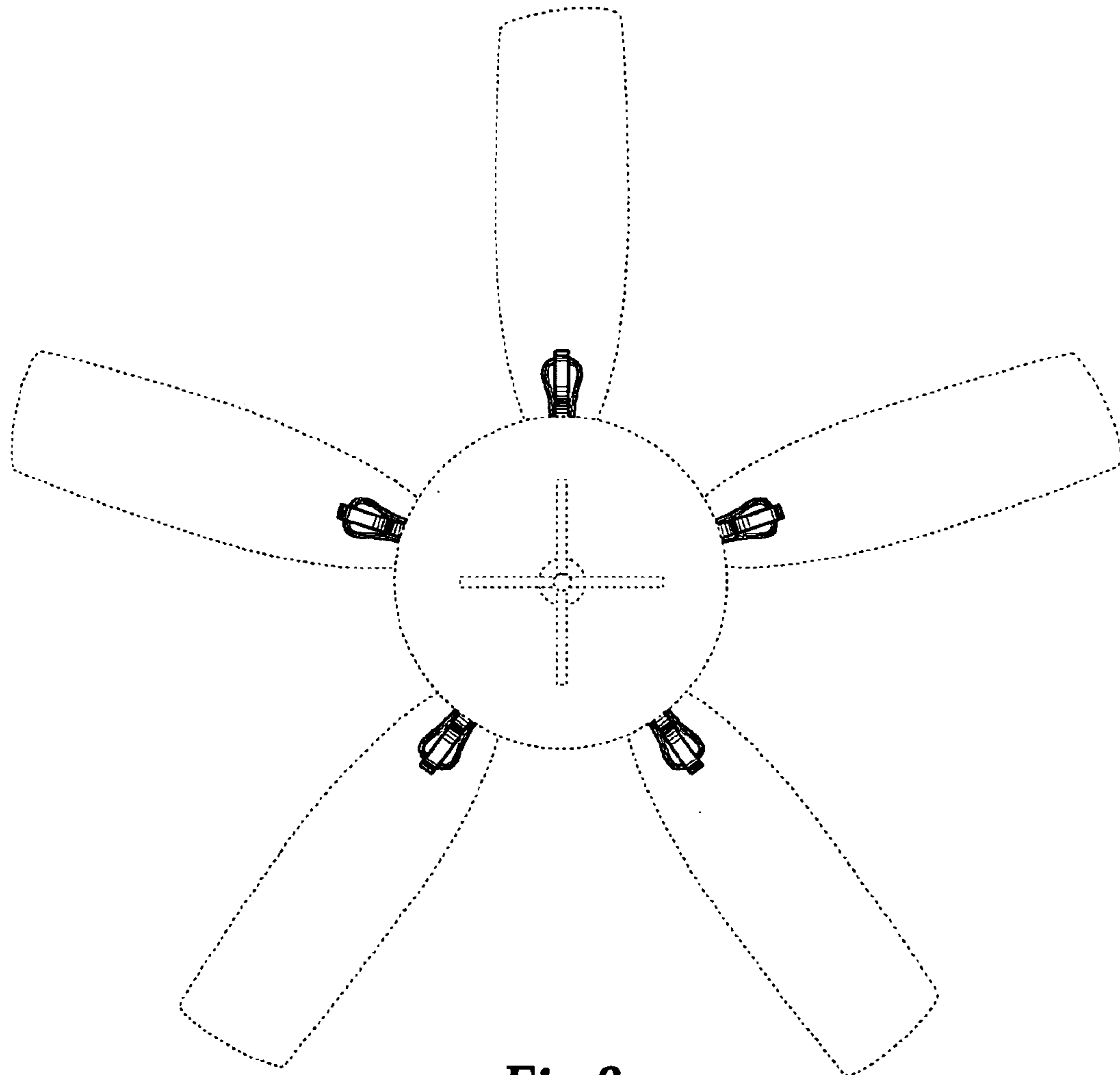


Fig.3

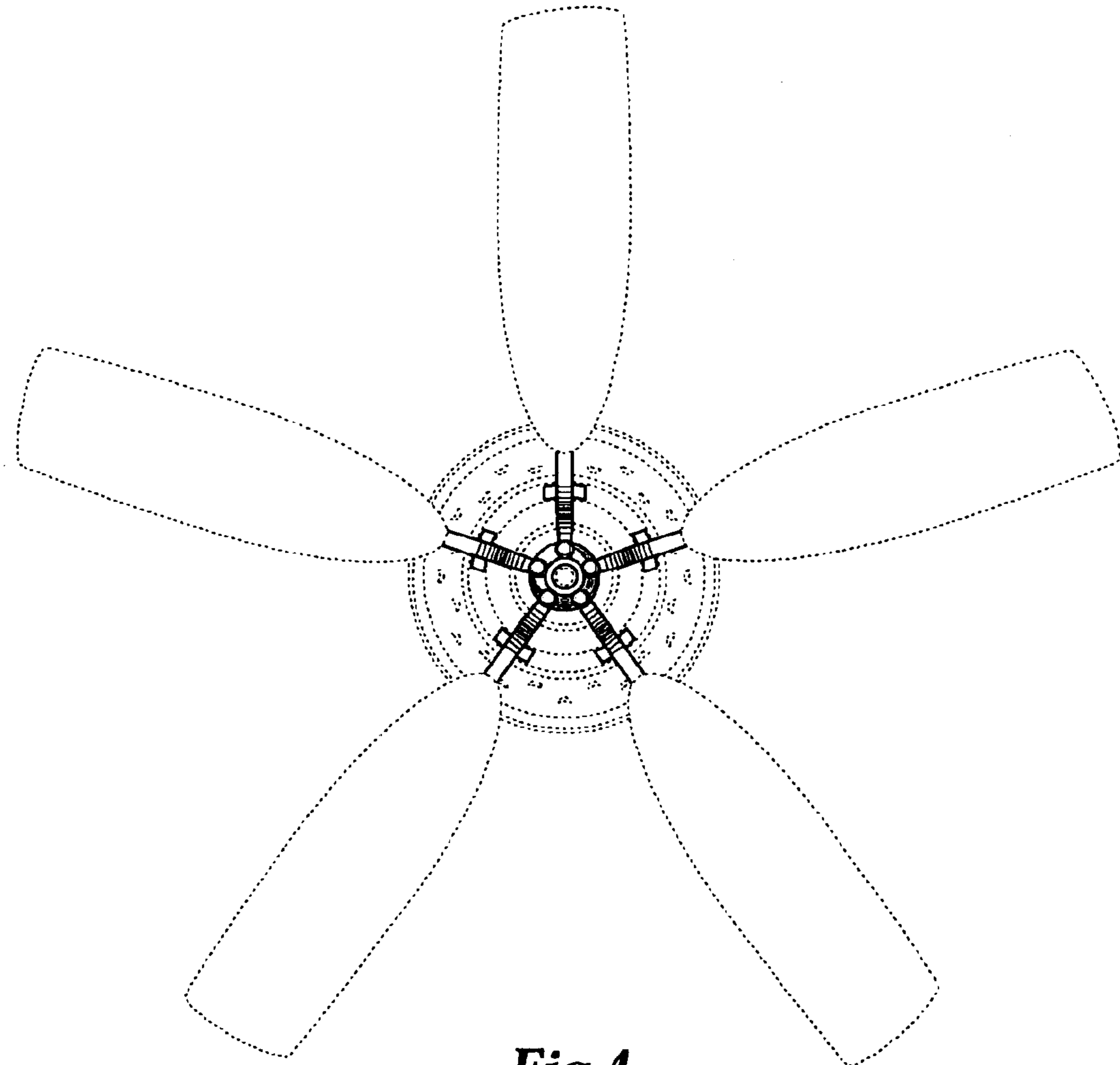


Fig.4

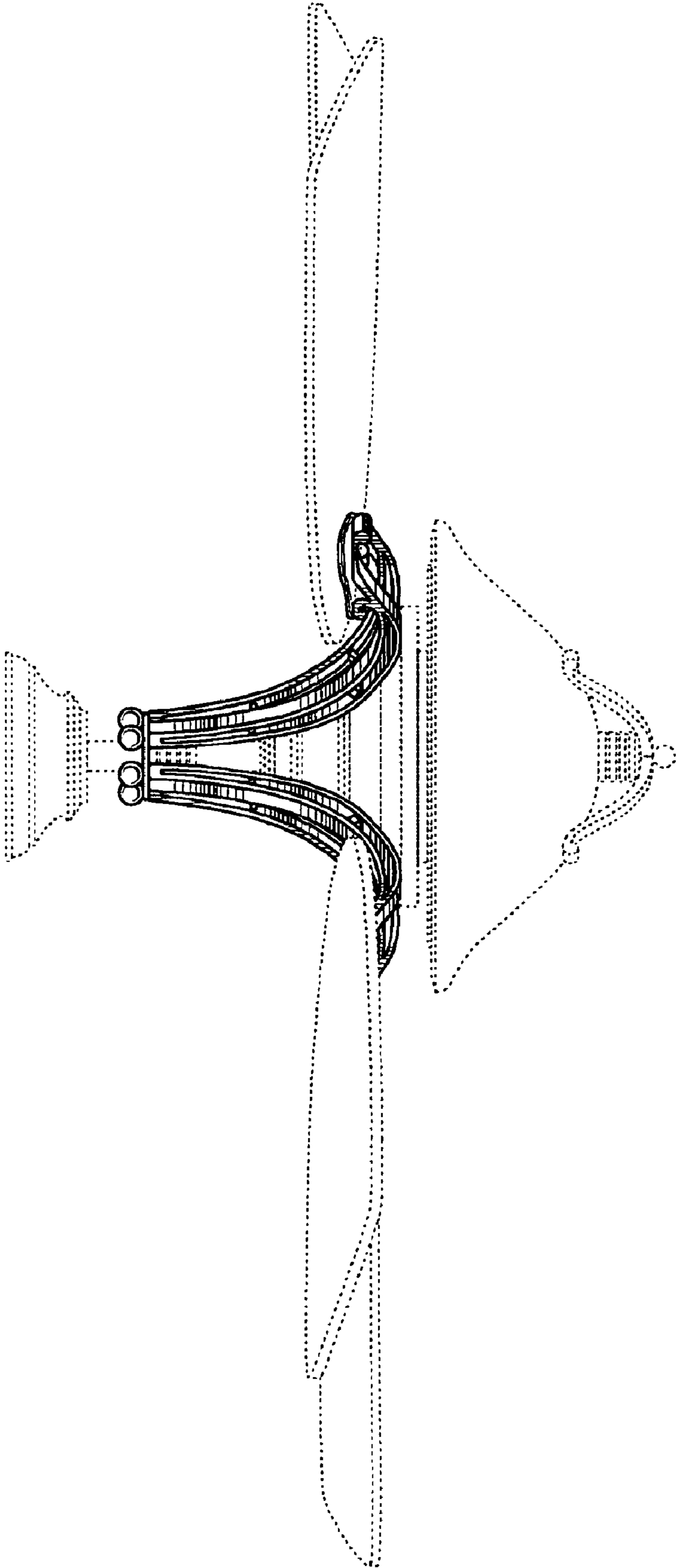


Fig. 5

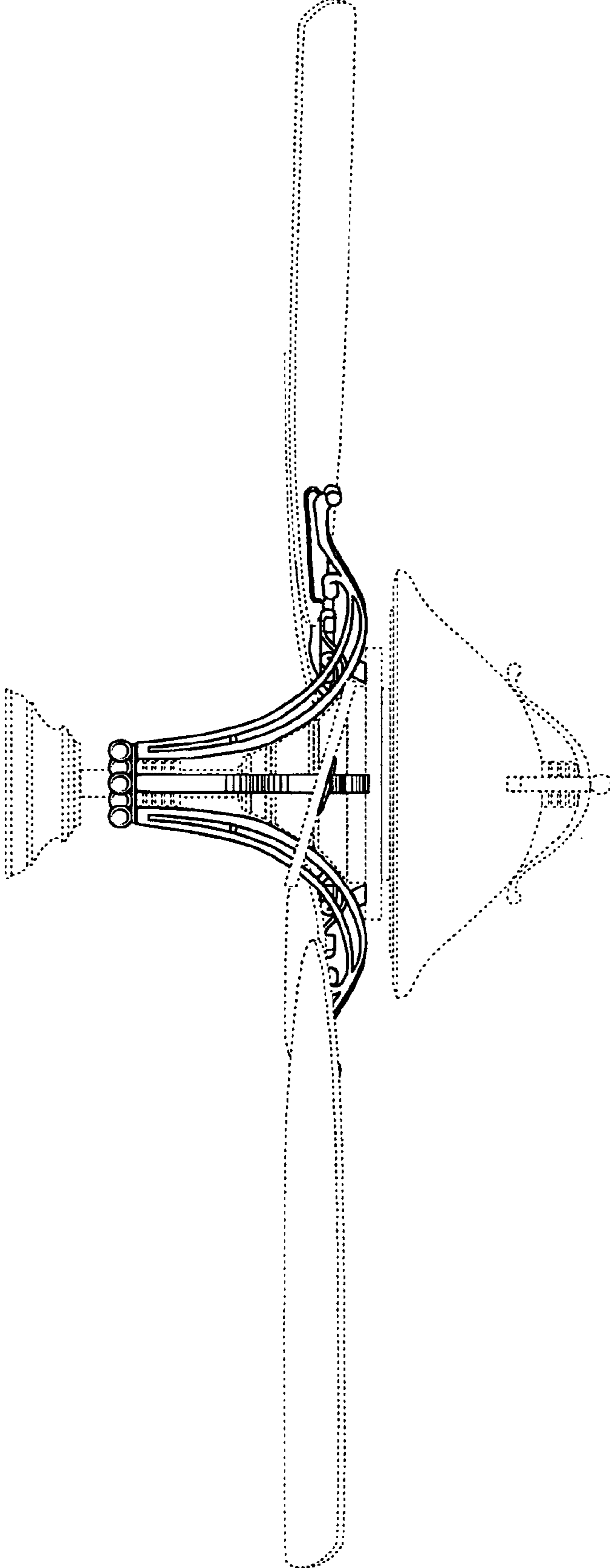


Fig. 6