

US00D506003S

(12) **United States Design Patent**
Murphy et al.

(10) **Patent No.: US D506,003 S**
(45) **Date of Patent: ** Jun. 7, 2005**

(54) **AIR FLOW DIRECTING AND CONTROLLING FIXTURE FOR HEATING, AIR CONDITIONING AND VENTILATION DEVICES**

D413,665 S 9/1999 Hudson
D468,417 S * 1/2003 Leutz et al. D23/393

(75) Inventors: **Timothy M. Murphy**, Grapevine, TX (US); **Diana Rodriguez**, Alvarado, TX (US)

(73) Assignee: **Coyote International L.L.C.**, Fort Worth, TX (US)

(**) Term: **14 Years**

(21) Appl. No.: **29/197,881**

(22) Filed: **Jan. 21, 2004**

(51) **LOC (8) Cl. 23-04**

(52) **U.S. Cl. D23/392**

(58) **Field of Search** D23/392, 388, D23/393, 327, 328, 341, 354, 369, 381, 382, 386-389, 329, 499; 126/110, 285, 152; 454/290, 317; D12/192, 195; 98/121, 29, 2, 40; 52/473, 302, 303

(56) **References Cited**

U.S. PATENT DOCUMENTS

- 3,572,233 A 3/1971 Bar et al.
- 3,683,787 A * 8/1972 Cary 454/317
- D285,480 S 9/1986 Schulz
- D288,959 S 3/1987 Schulz
- D307,632 S 5/1990 Schulz
- D358,205 S 5/1995 Ruhland

OTHER PUBLICATIONS

Revcor Molded Products, Co., Alliance Louver Assembly, 1 page 46-A.

* cited by examiner

Primary Examiner—Louis S. Zarfaz

Assistant Examiner—Susan Bennett Hattan

(74) *Attorney, Agent, or Firm*—Geoffrey A. Mantooth

(57) **CLAIM**

The ornamental design for an air flow directing and controlling fixtures for heating, air conditioning and ventilation devices, as shown and described.

DESCRIPTION

FIG. 1 is an isometric view of the air flow directing and controlling fixture, with the vanes closed, showing our new design;

FIG. 2 is a top plan view thereof with the vanes closed;

FIG. 3 is a first side elevational view thereof, with the vanes closed, the opposite side being a mirror image thereof;

FIG. 4 is a left end elevational view thereof, with the vanes closed;

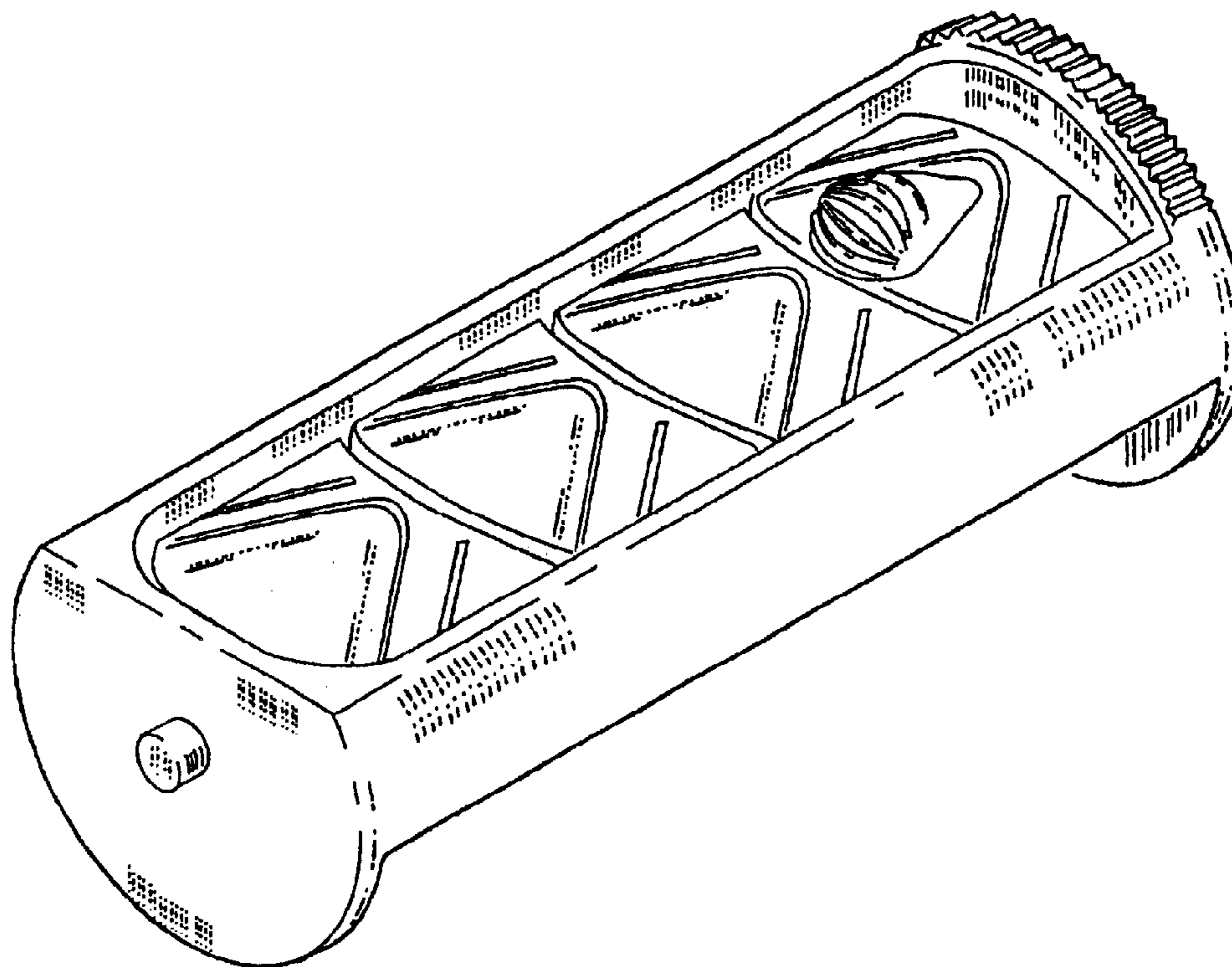
FIG. 5 is a right end elevational view thereof;

FIG. 6 is a top plan view thereof, with the vanes open;

FIG. 7 is a first side elevational view thereof, with the vanes open, the opposite side being a mirror image thereof; and,

FIG. 8 is a bottom plan view showing the vanes open.

1 Claim, 3 Drawing Sheets



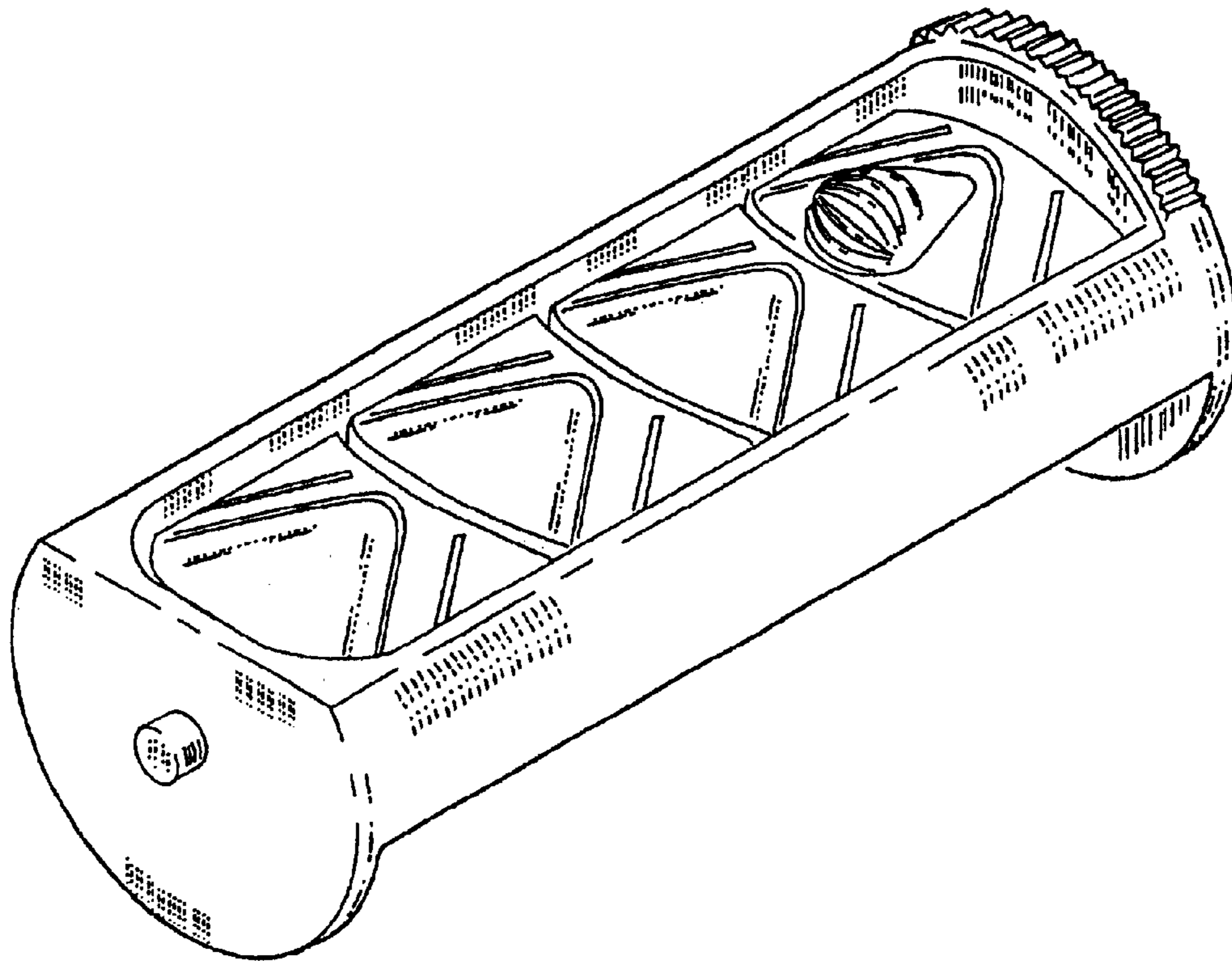


FIG. 1

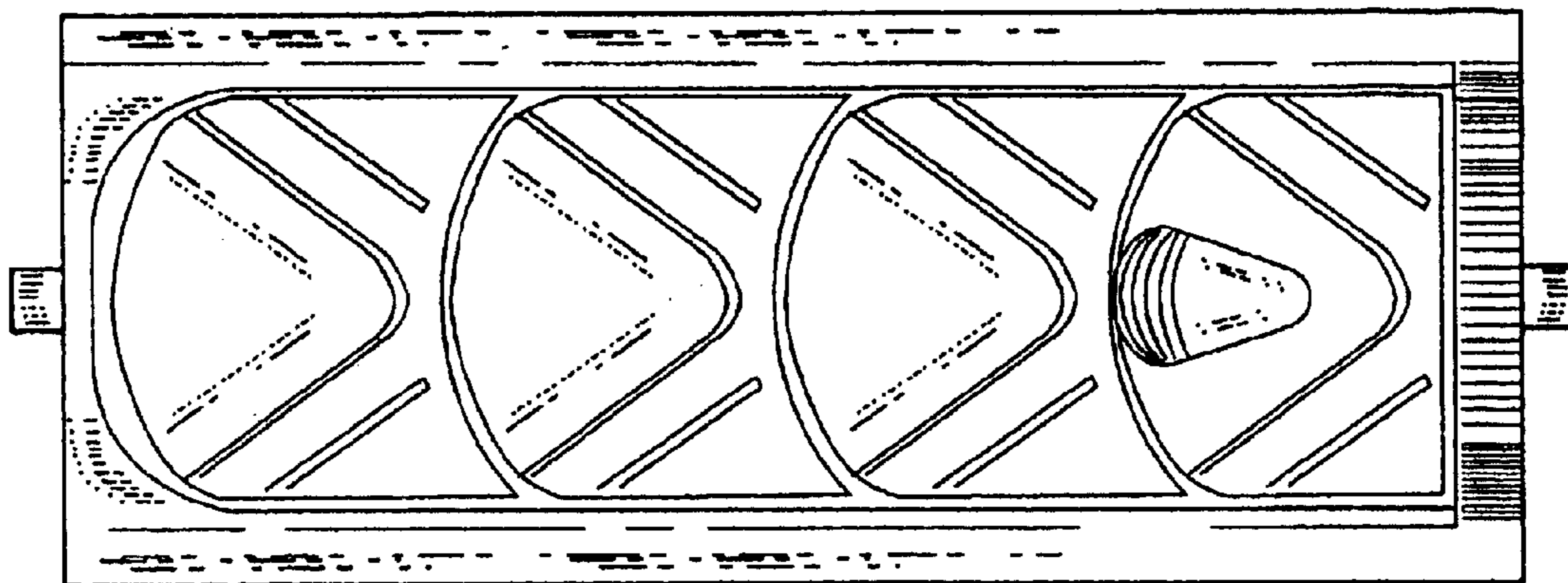


FIG. 2

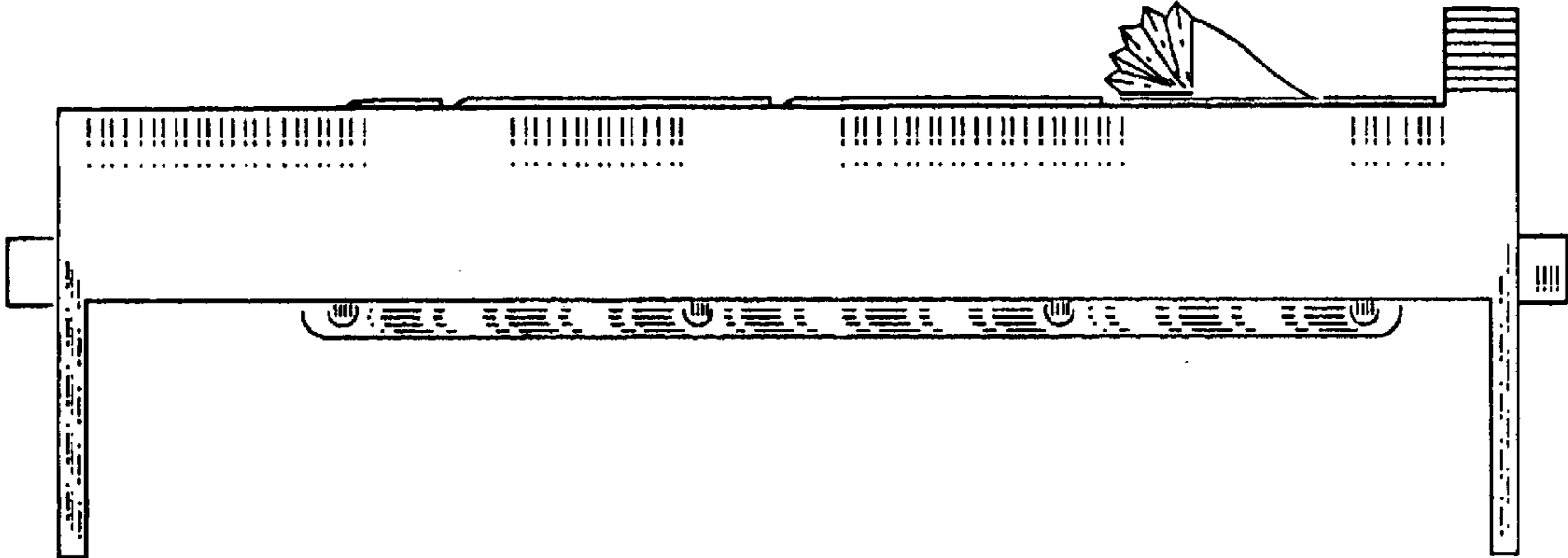


FIG. 3

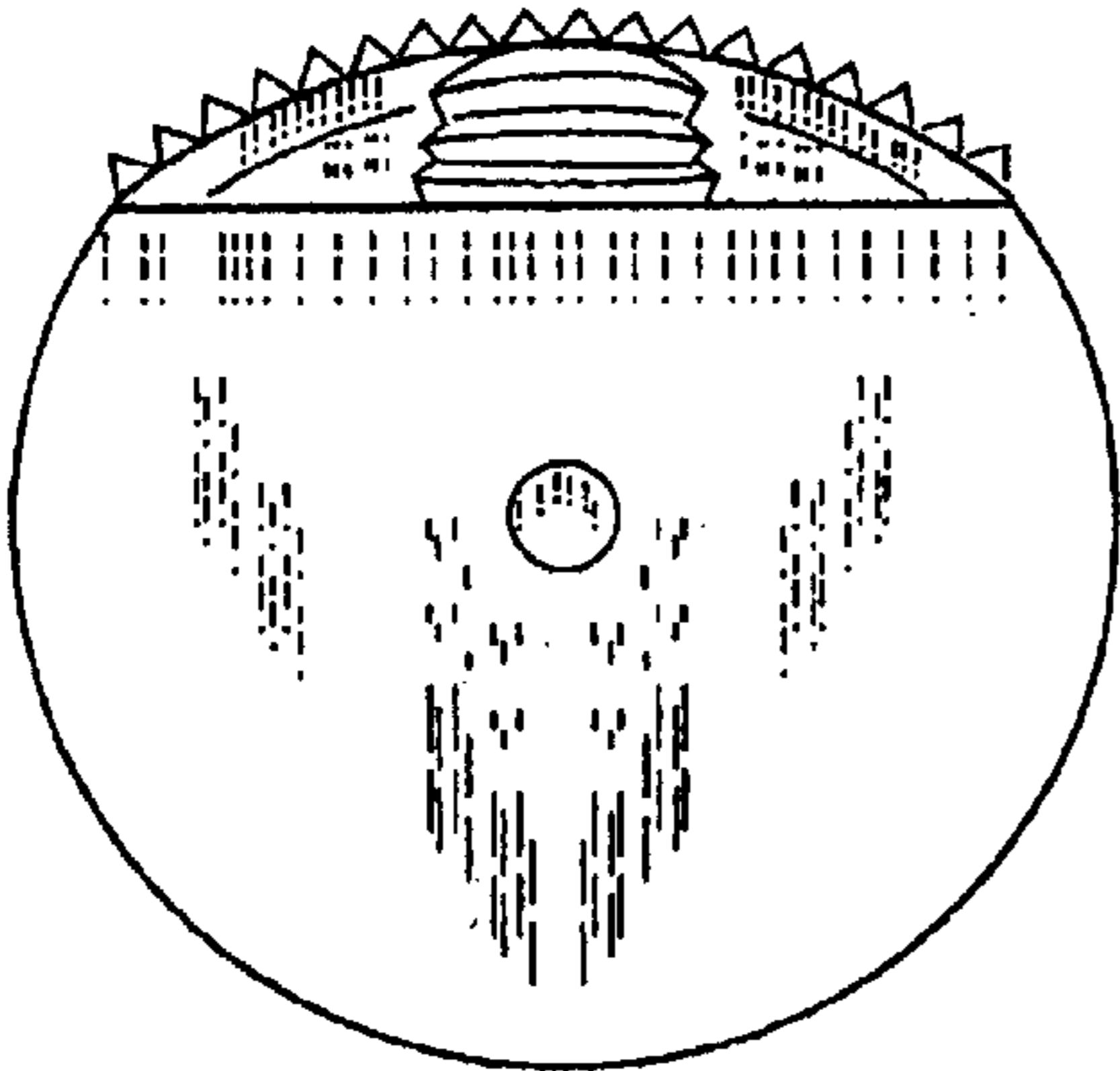


FIG. 4

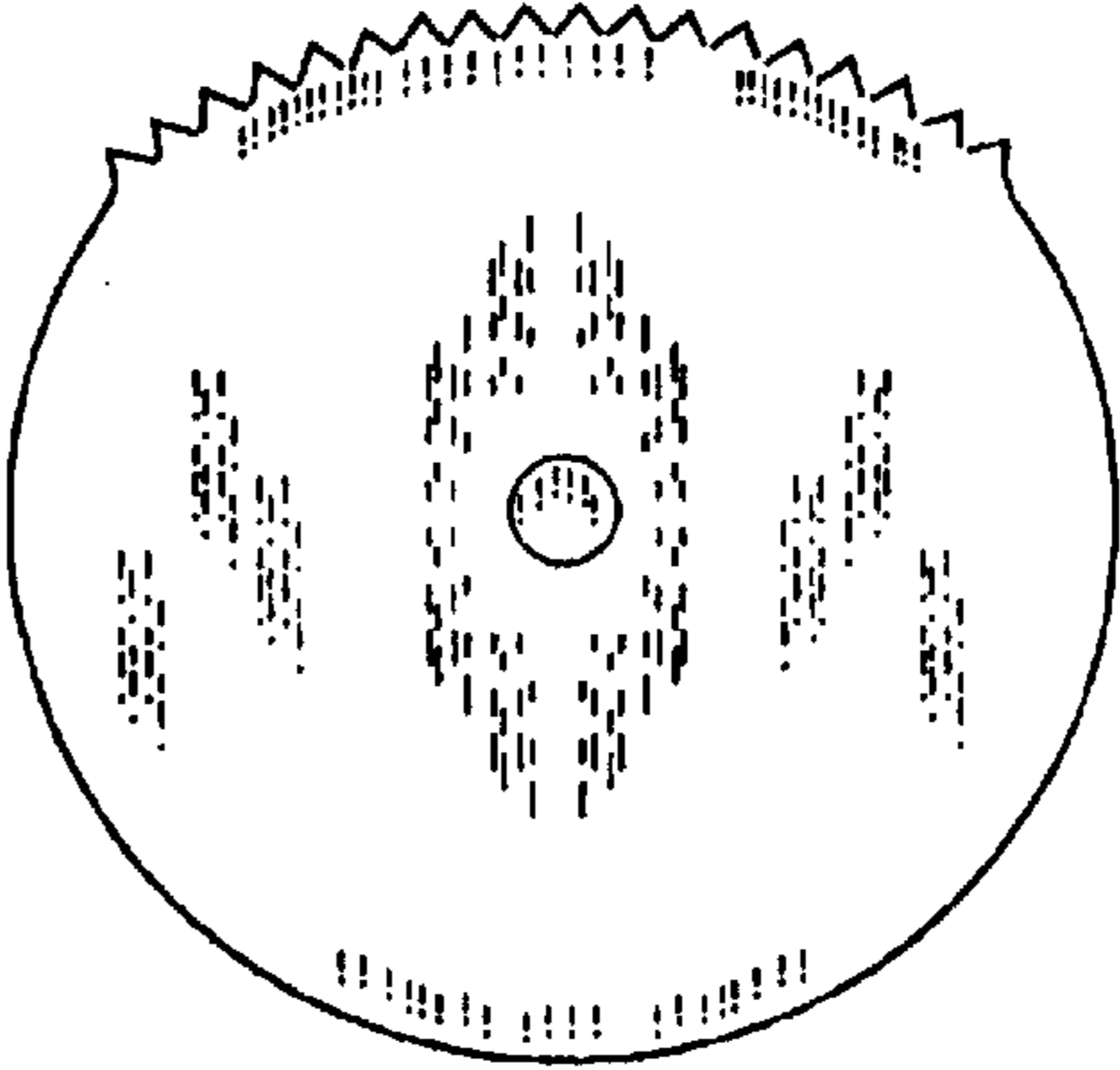


FIG. 5

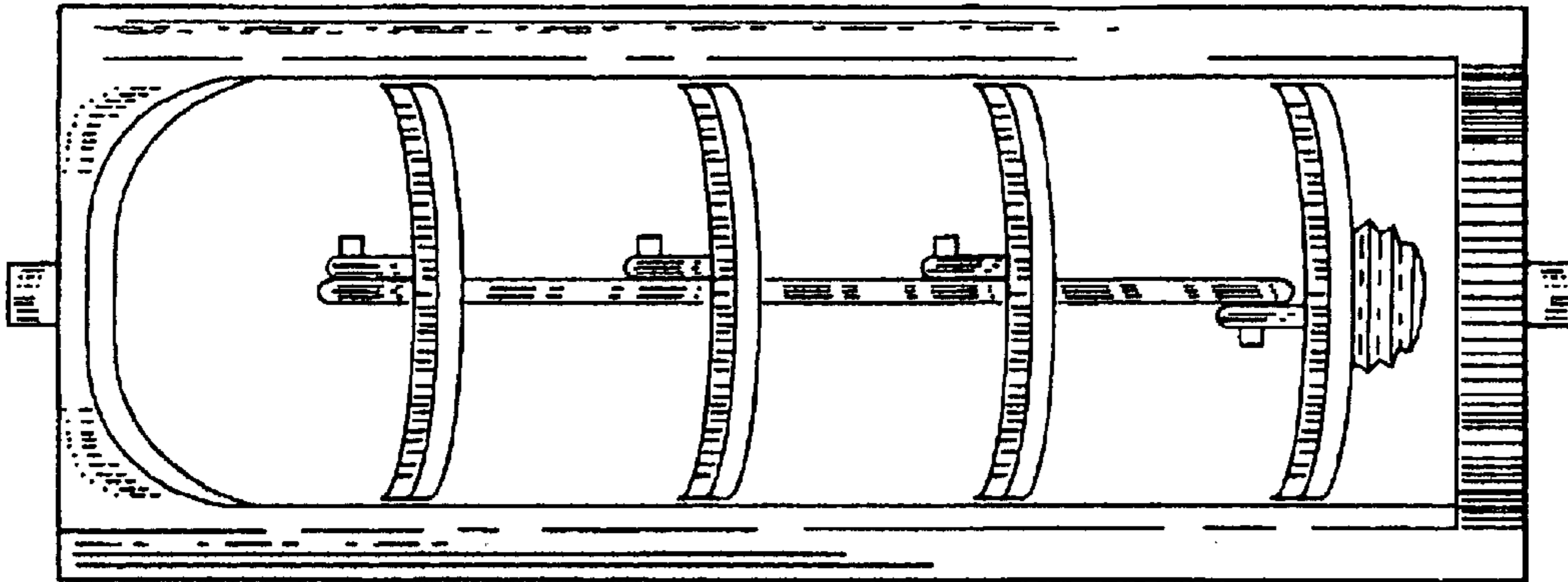


FIG. 6

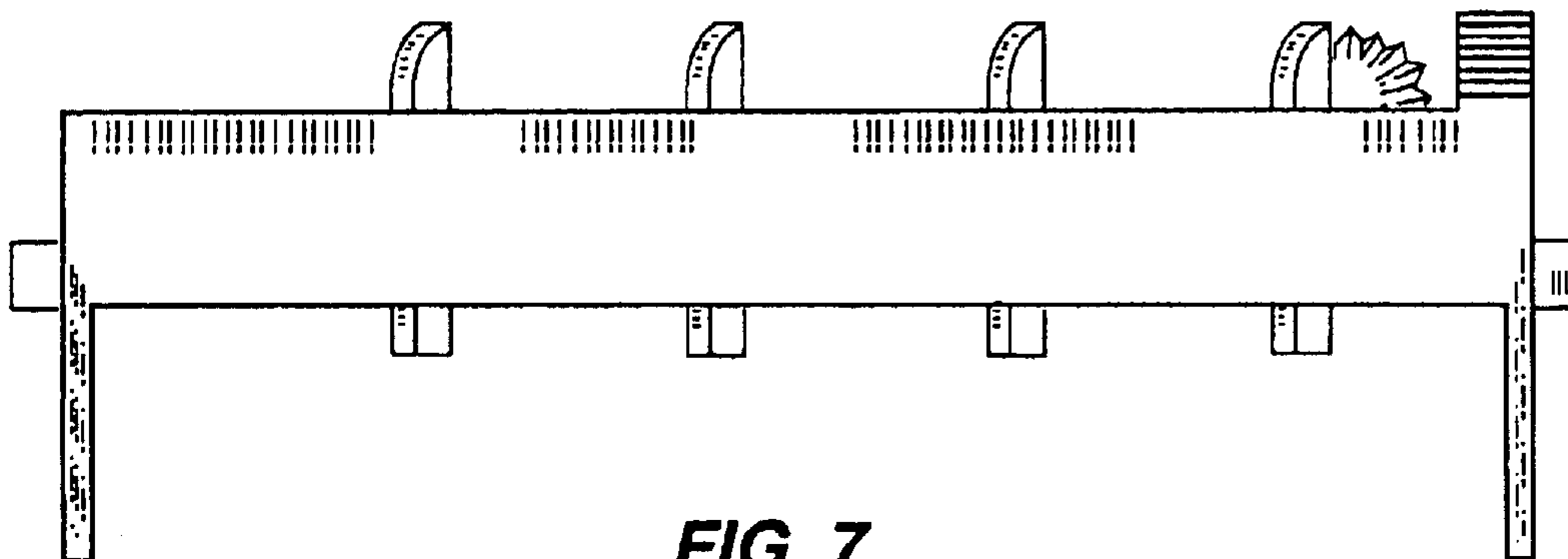


FIG. 7

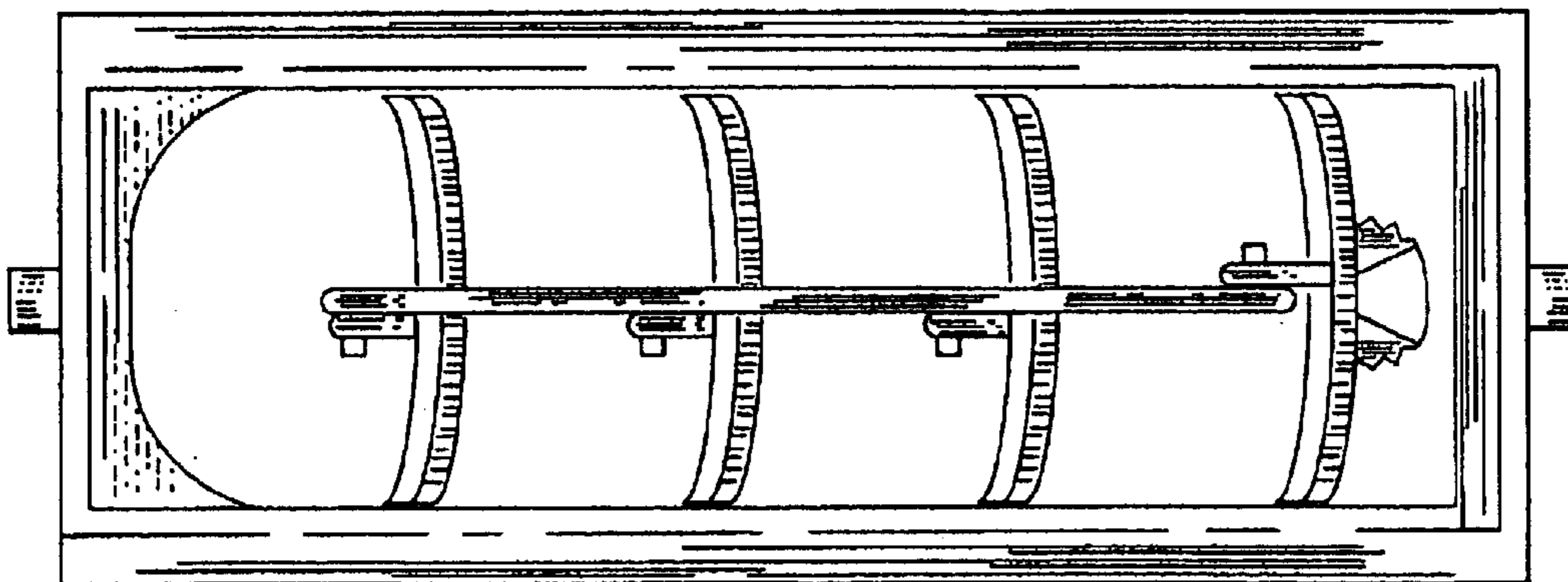


FIG. 8