

US00D505999S

(12) **United States Design Patent**  
**Song**

(10) **Patent No.:** **US D505,999 S**

(45) **Date of Patent:** **\*\* Jun. 7, 2005**

(54) **AIR CLEANER**

D423,659 S \* 4/2000 Schippanoski ..... D23/364

(75) **Inventor:** **Sung-Wook Song, Seoul (KR)**

\* cited by examiner

(73) **Assignee:** **Conet Industry, Inc., Seoul (KR)**

*Primary Examiner*—Robin V. Taylor

(\*\*) **Term:** **14 Years**

(74) *Attorney, Agent, or Firm*—R. Neil Sudol; Henry D. Coleman; William J. Sapone

(21) **Appl. No.:** **29/201,267**

(57) **CLAIM**

(22) **Filed:** **Mar. 12, 2004**

The ornamental design for the air cleaner, as shown and described.

(51) **LOC (8) Cl.** ..... **23-04**

**DESCRIPTION**

(52) **U.S. Cl.** ..... **D23/364**

(58) **Field of Search** ..... D23/355, 356,  
D23/364, 359; 55/471, 472, 467

FIG. 1 is a top, front and left side perspective view of an air cleaner, showing my new design;  
FIG. 2 is a front elevational view thereof;  
FIG. 3 is a rear elevational view thereof;  
FIG. 4 is a left side elevational view thereof;  
FIG. 5 is a right side elevational view thereof;  
FIG. 6 is a top plan view thereof; and,  
FIG. 7 is a bottom plan view thereof.

(56) **References Cited**

**U.S. PATENT DOCUMENTS**

- D375,546 S \* 11/1996 Lee ..... D23/364
- D377,523 S \* 1/1997 Marvin et al. .... D23/364
- D398,045 S \* 9/1998 Jane et al. .... D23/364
- D401,318 S \* 11/1998 Rakocy ..... D23/364

**1 Claim, 7 Drawing Sheets**

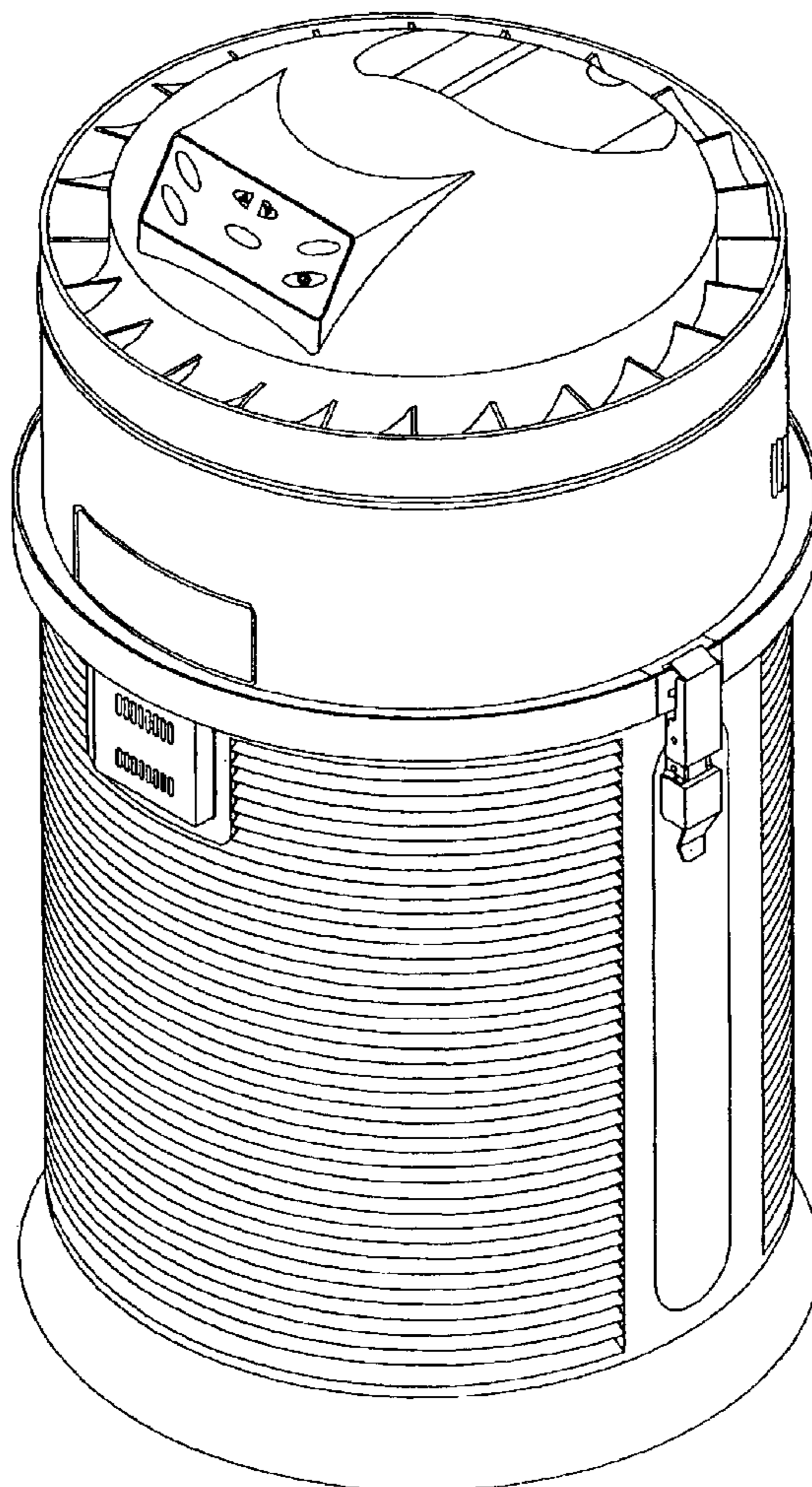


FIG. 1

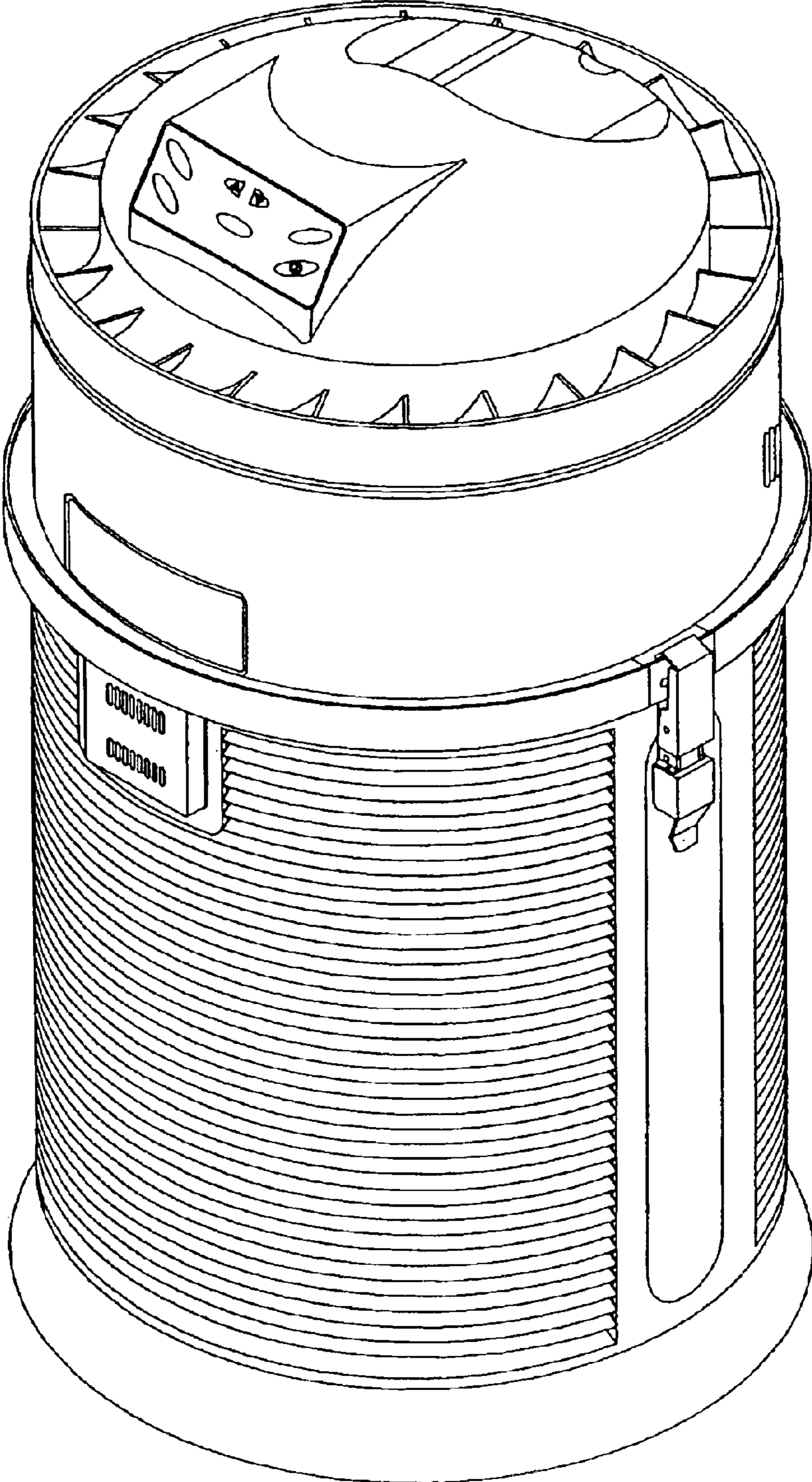


FIG. 2

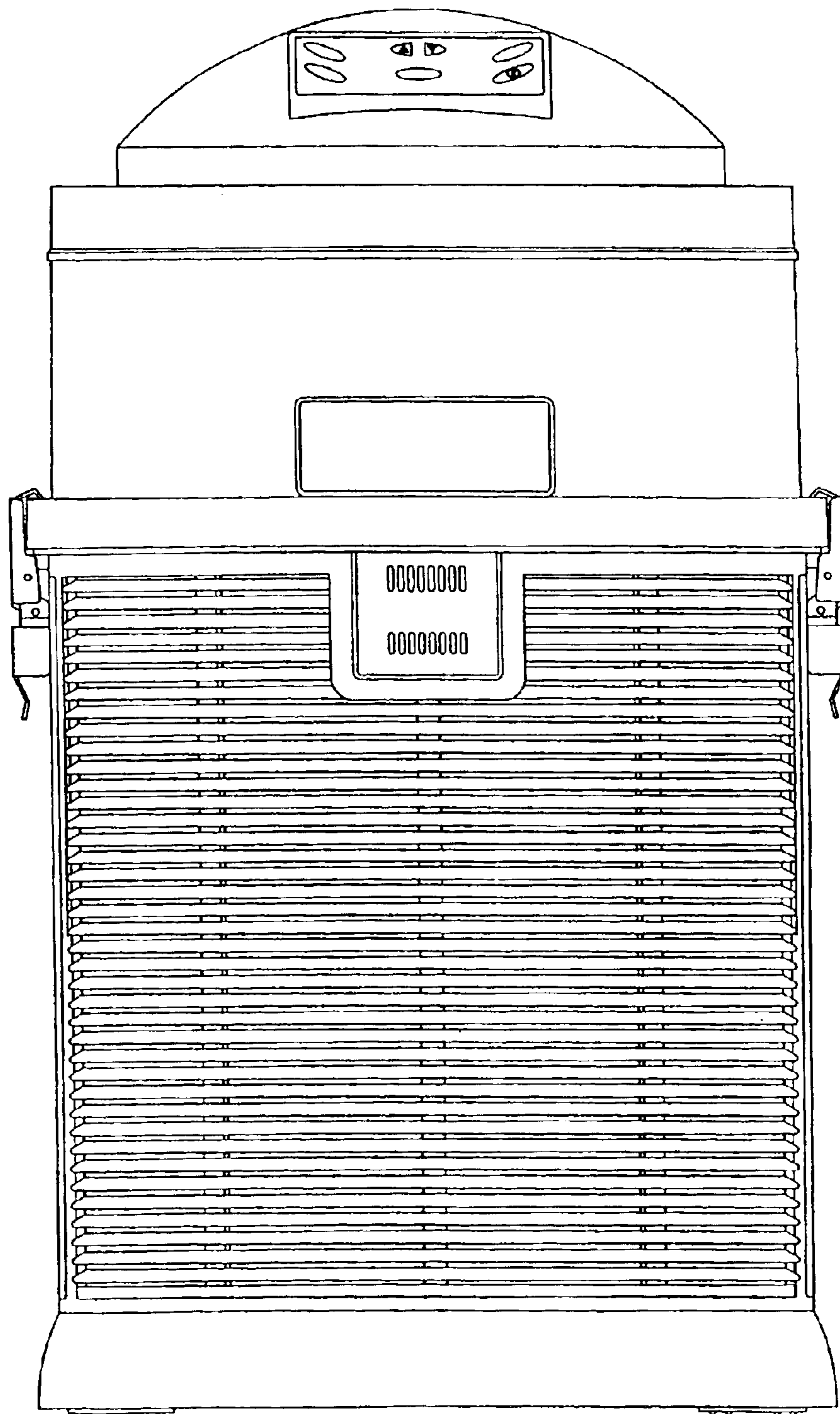




FIG. 3

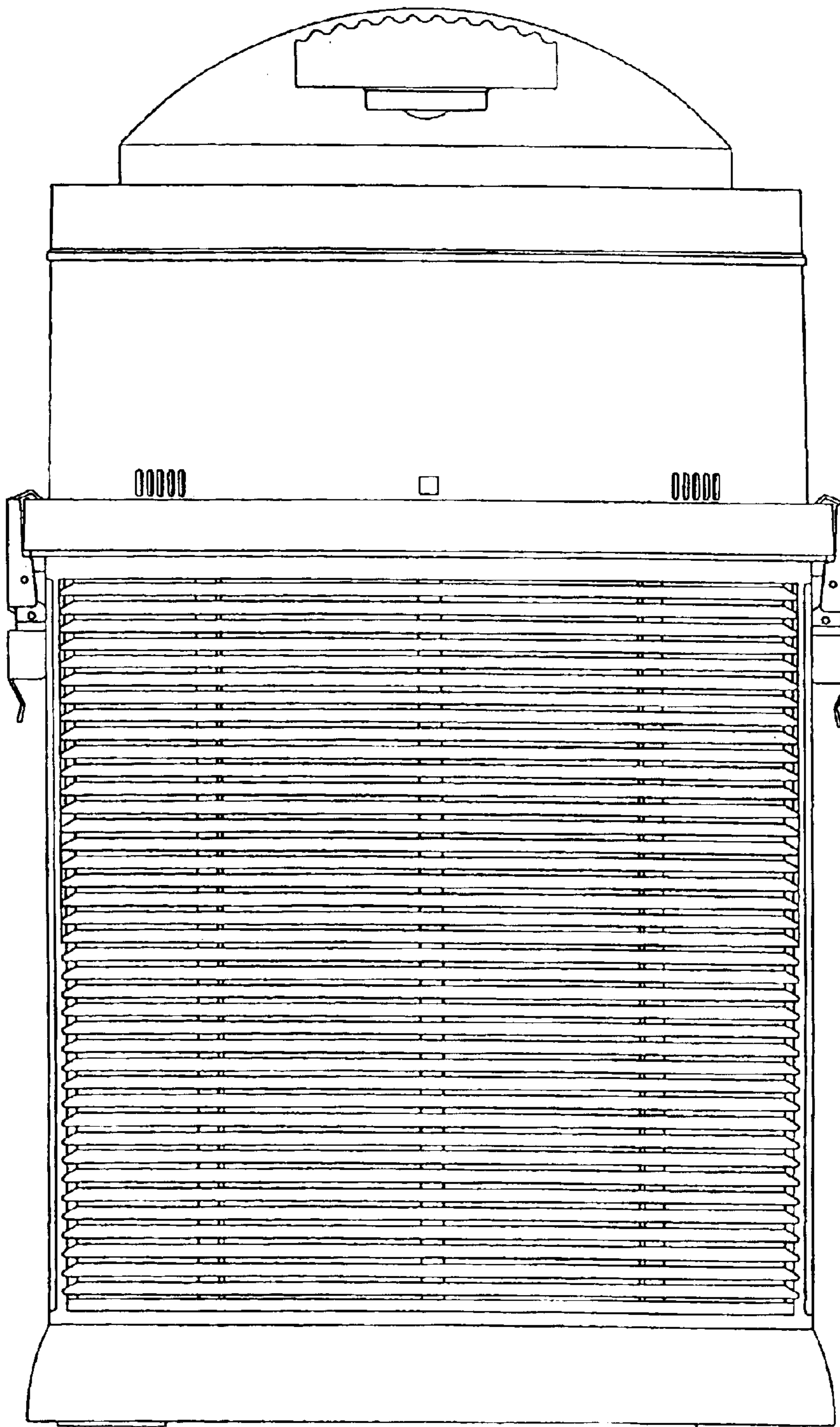


FIG. 4

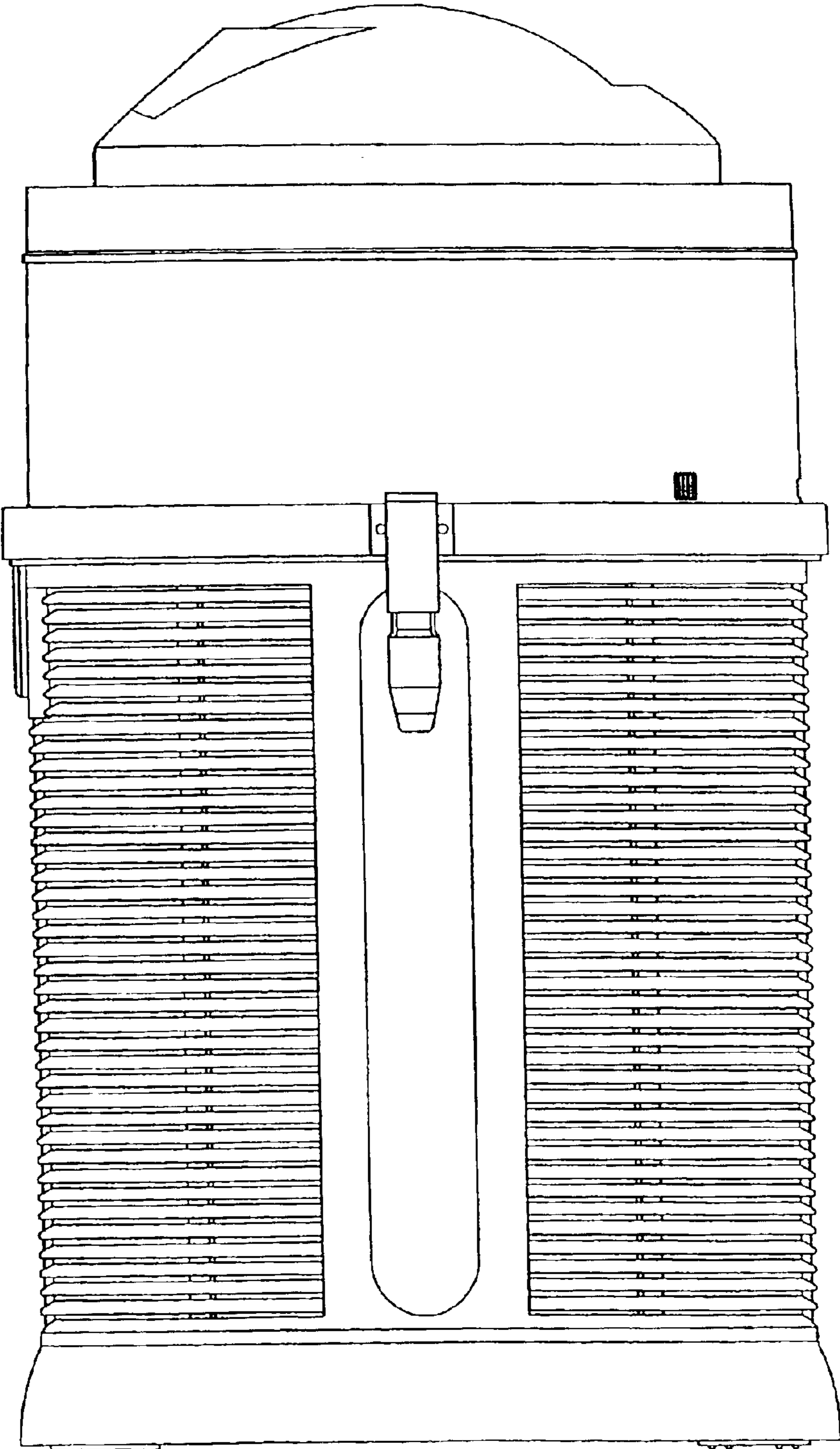


FIG. 5

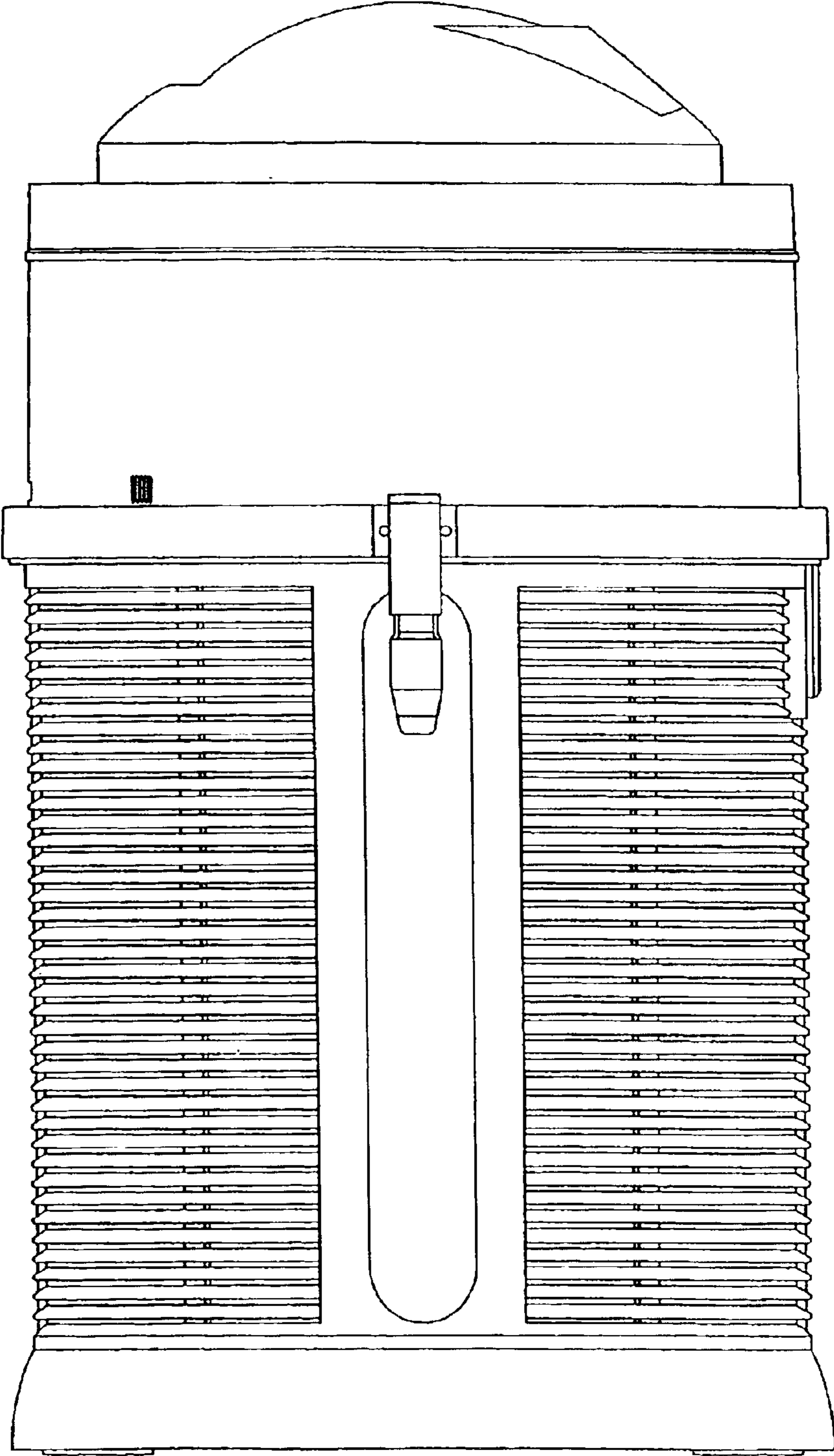
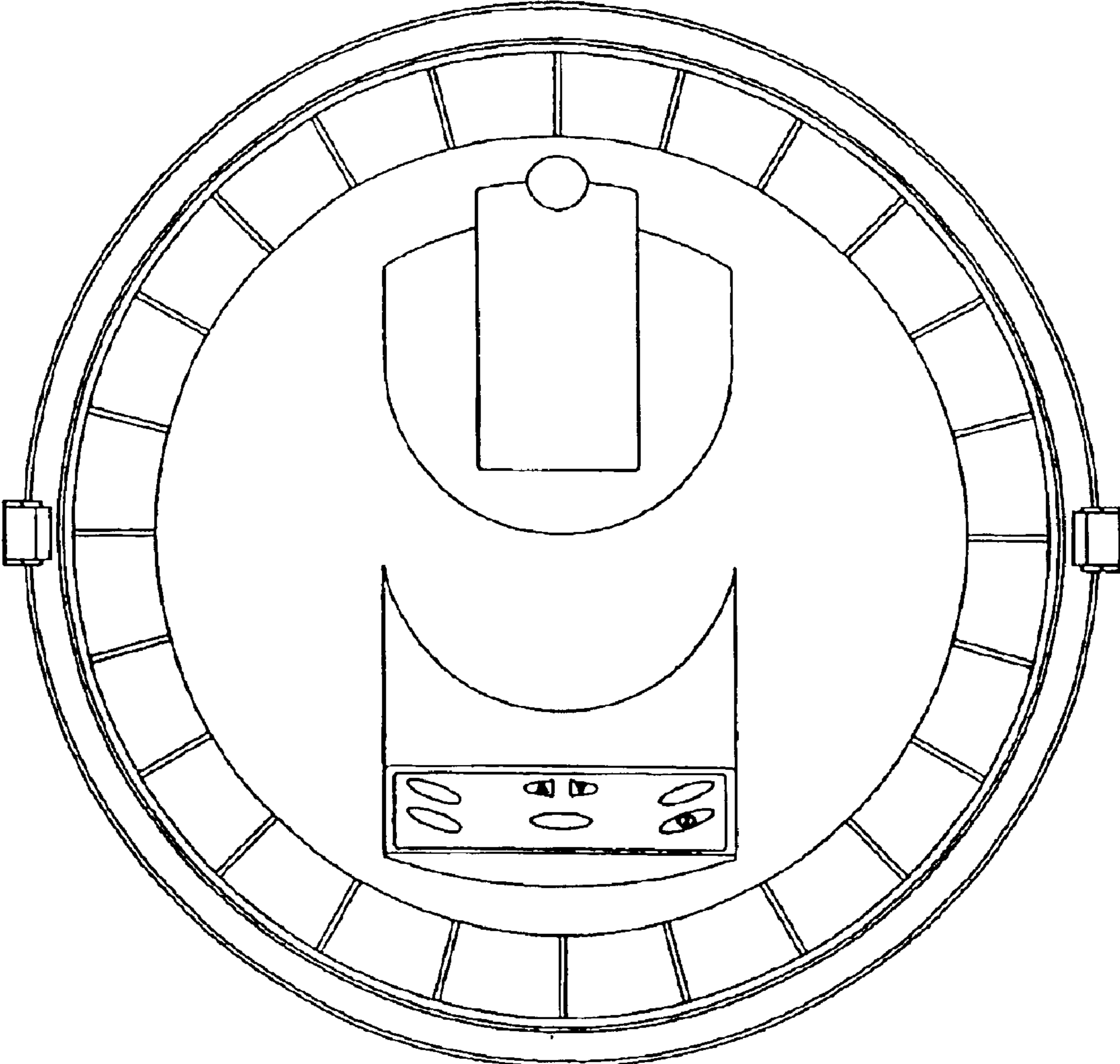


FIG. 6



**FIG. 7**

