



US00D505995S

(12) **United States Design Patent** (10) **Patent No.:** **US D505,995 S**
Kulig et al. (45) **Date of Patent:** **** Jun. 7, 2005**

(54) **FAUCET HANDLE**

(75) Inventors: **Zbigniew Kulig**, Wadsworth, IL (US);
Piotr Rulka, Krakow (PL)

(73) Assignee: **Graff Faucets**, Milwaukee, WI (US)

(**) Term: **14 Years**

(21) Appl. No.: **29/203,608**

(22) Filed: **Apr. 16, 2004**

(51) **LOC (8) Cl.** **23-01**

(52) **U.S. Cl.** **D23/252**

(58) **Field of Search** D23/238-243,
D23/245, 250-257; D8/300-322, 350-353,
DIG. 3; 16/110.1; 4/675-678; 137/801

(56) **References Cited**

U.S. PATENT DOCUMENTS

D4,323 S	*	8/1870	Thomas	D23/250
D335,811 S	*	5/1993	Bengtson et al.	D8/310
D373,179 S		8/1996	Sieger		
D420,430 S		2/2000	Lobermeier		
D438,937 S	*	3/2001	Tolosa	D23/252
D461,537 S	*	8/2002	Ouyoung	D23/254
D466,200 S		11/2002	Sieger		
D466,982 S		12/2002	Gerlach		
D467,307 S		12/2002	Sieger		

* cited by examiner

Primary Examiner—Louis S. Zarfes

Assistant Examiner—Gregory Andoll

(74) *Attorney, Agent, or Firm*—Fredrickson Newholm
Stein & Gratz S.C.

(57) **CLAIM**

The ornamental design for a faucet handle, as shown and described.

DESCRIPTION

FIG. 1 is perspective view of a faucet handle incorporating our new design, shown in conjunction with the remainder of a faucet assembly with which it is usable, and viewed from in front of, above, and from the left side of the faucet handle; FIG. 2 is perspective view of the faucet handle if FIG. 1, shown in conjunction with the corresponding handle assembly if FIG. 1, and viewed from in front of, above, and from the left side of the faucet handle;

FIG. 3 is a front elevation view thereof;

FIG. 4 is a rear elevation view thereof;

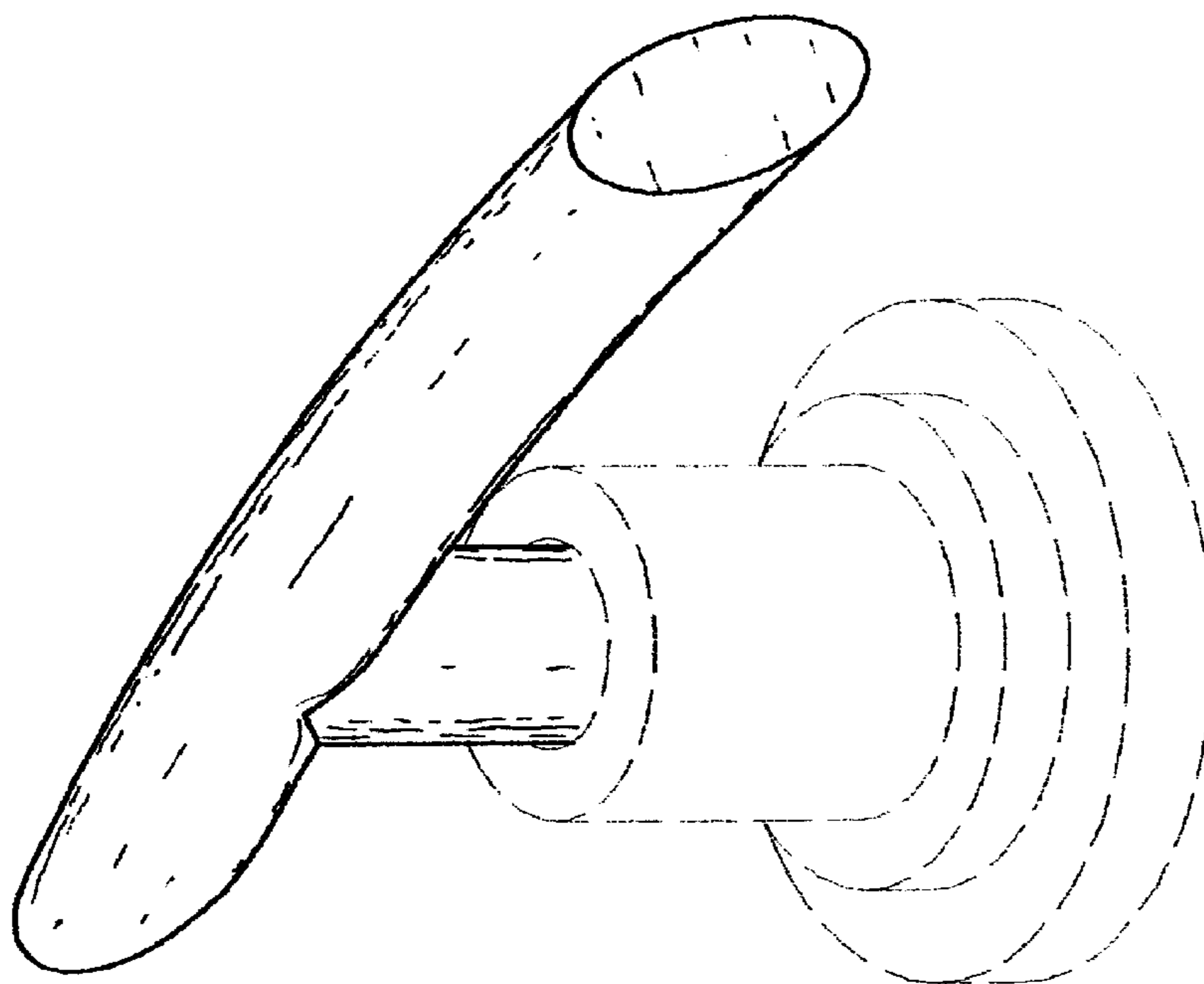
FIG. 5 is a top plan view thereof;

FIG. 6 is a bottom plan view thereof; and,

FIG. 7 is a left-side elevation view thereof, with the right side being a mirror image of the left side.

The broken lines in FIGS. 1 through 7 are for illustrative purposes only and form no part of the claimed design.

1 Claim, 7 Drawing Sheets



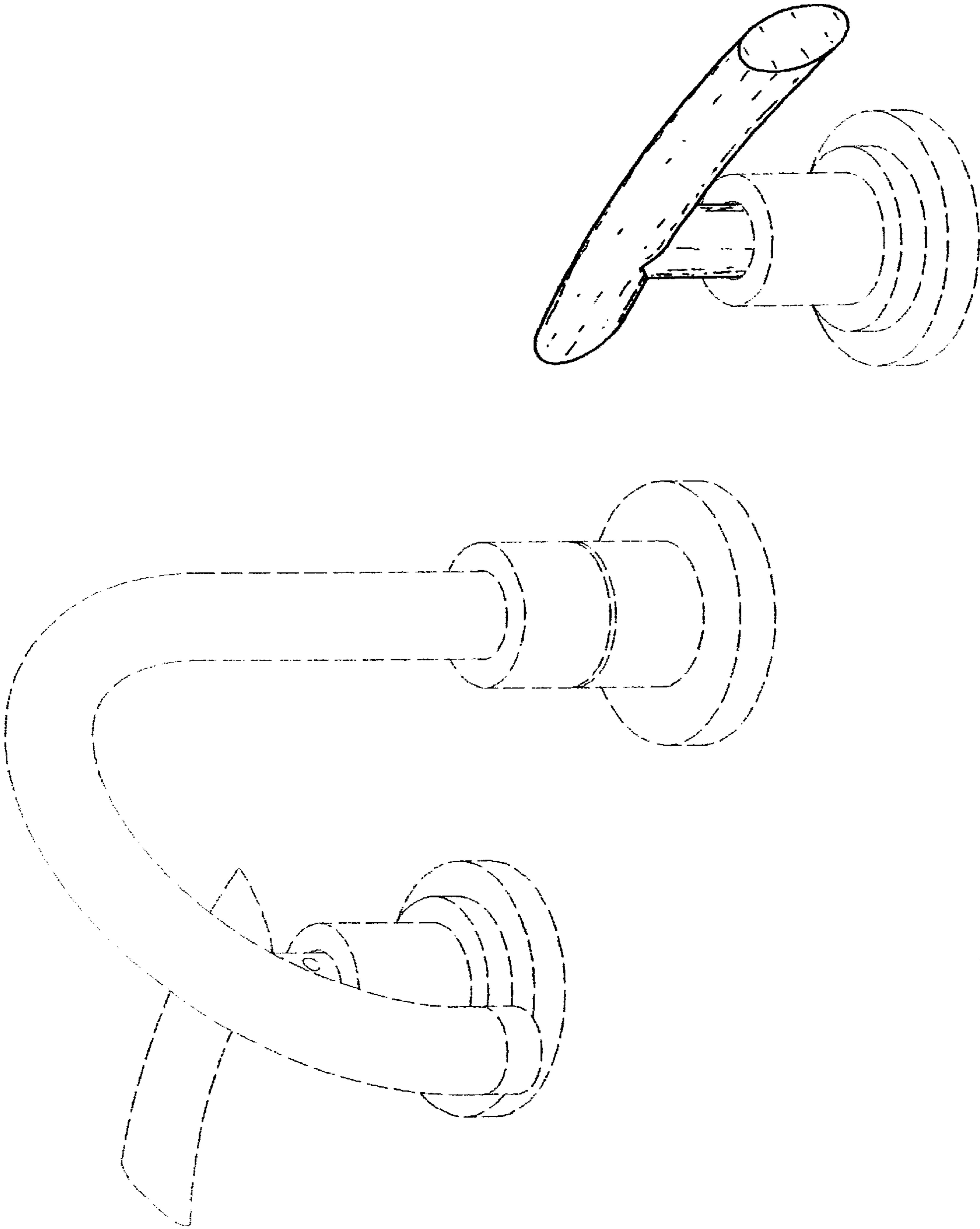


FIG. 1

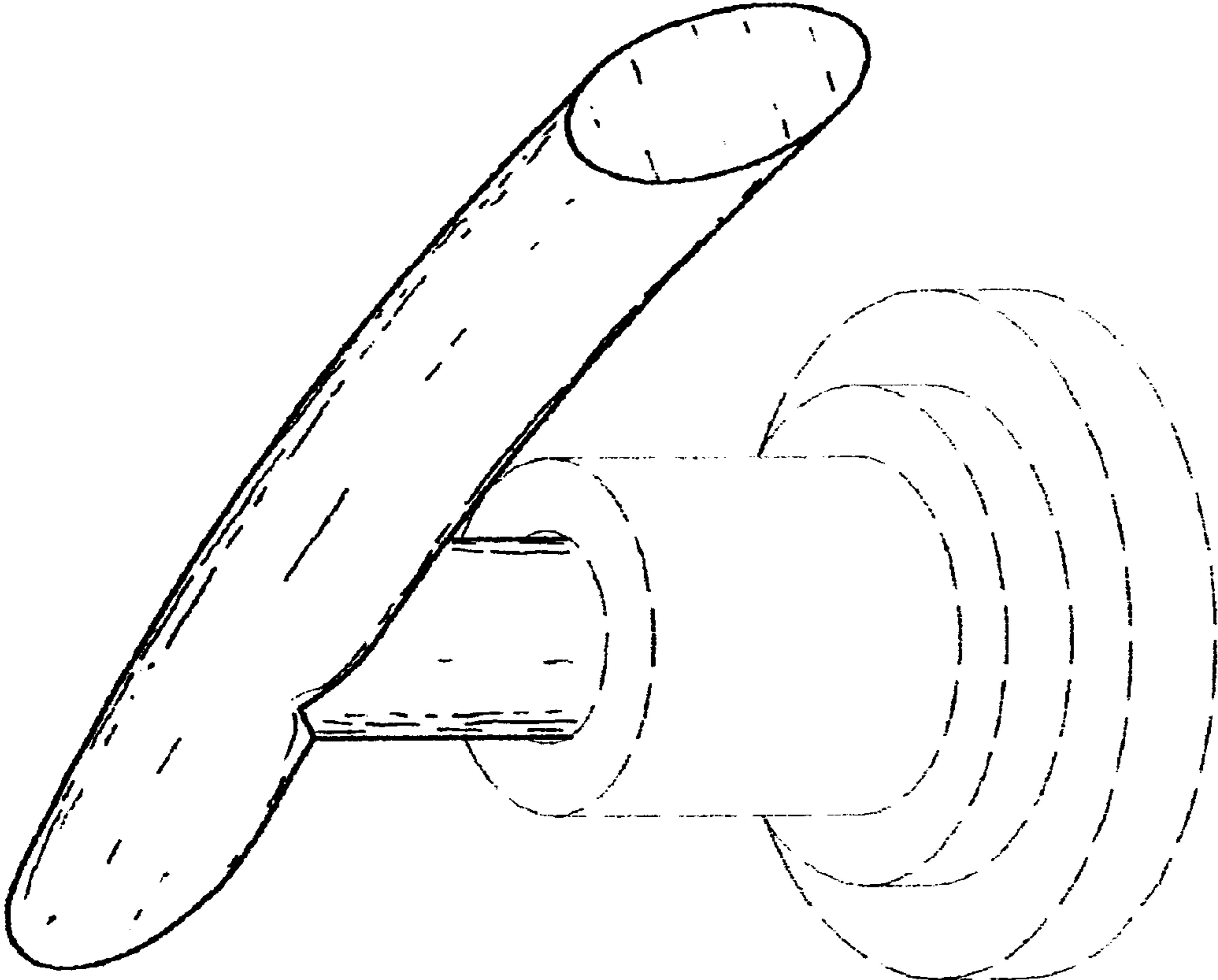


FIG. 2

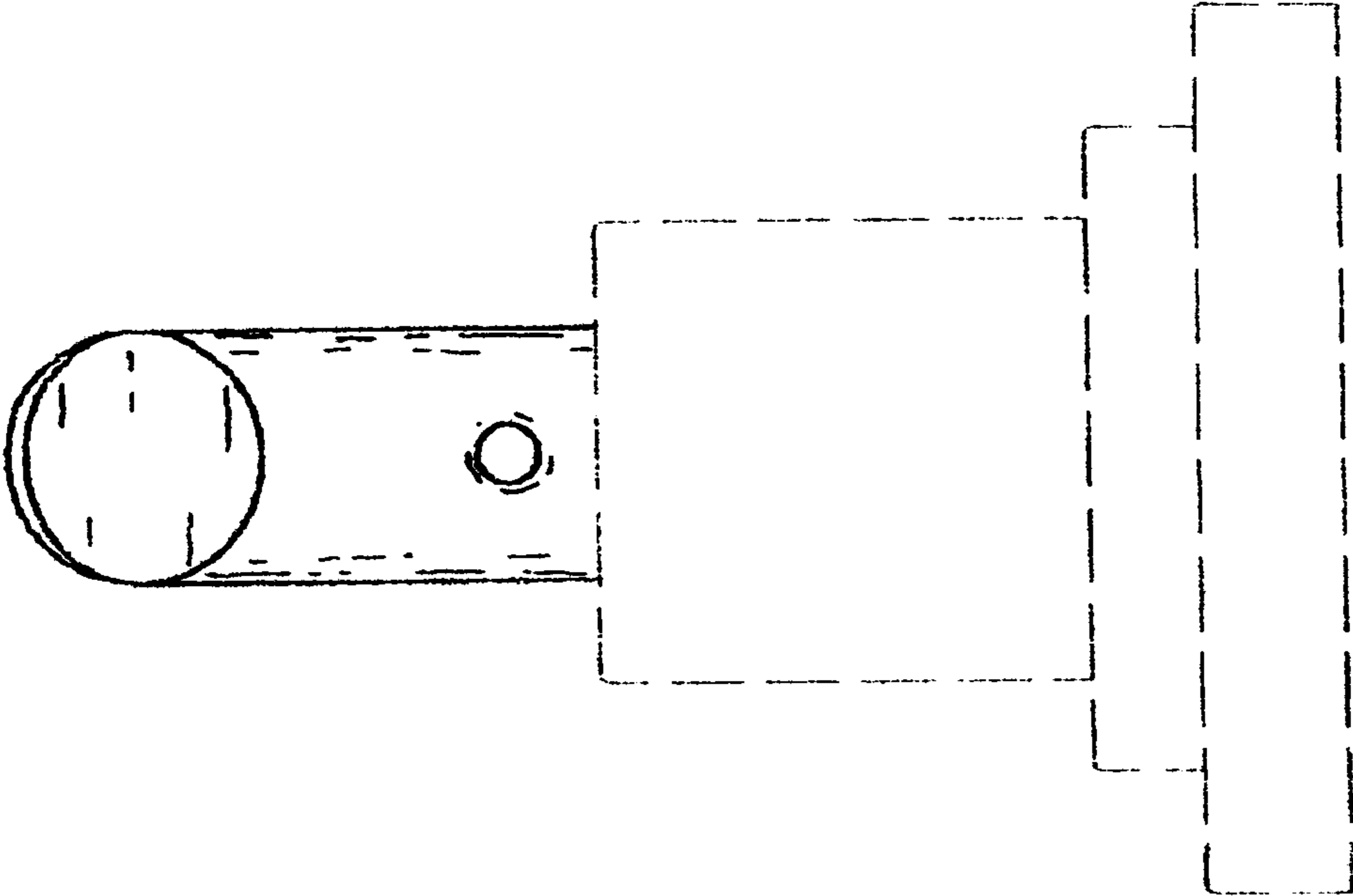


FIG. 3

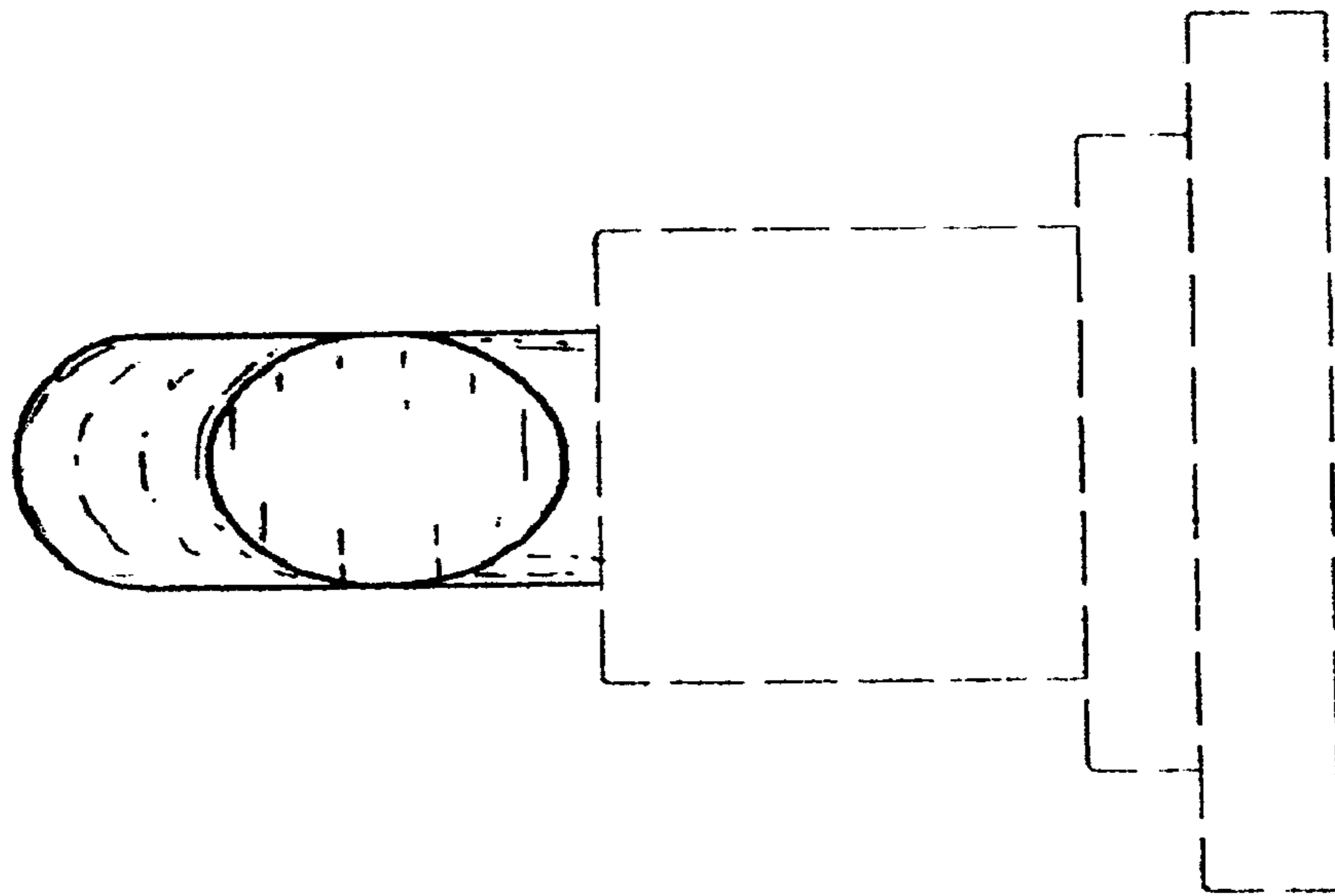


FIG. 4

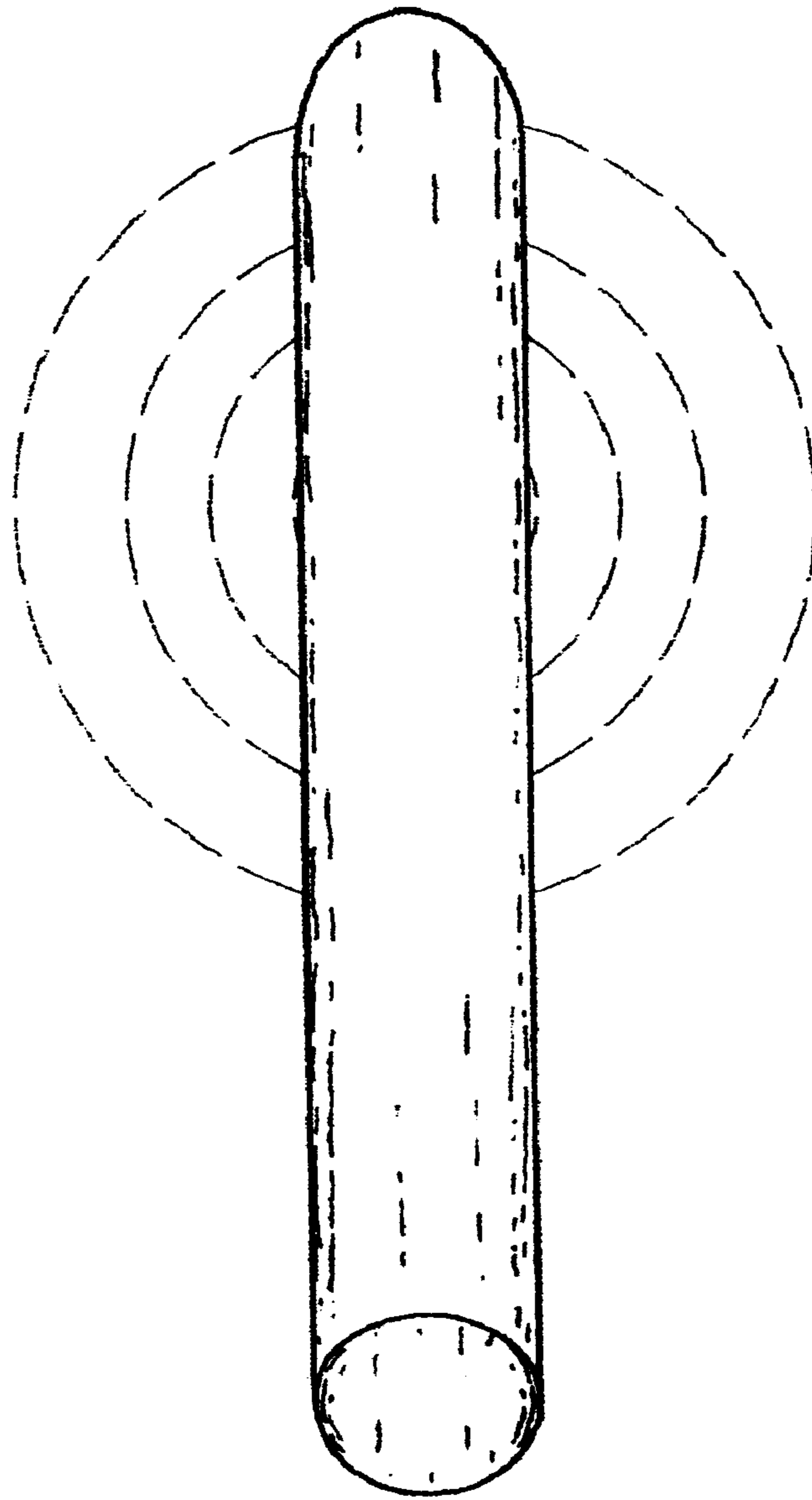


FIG. 5

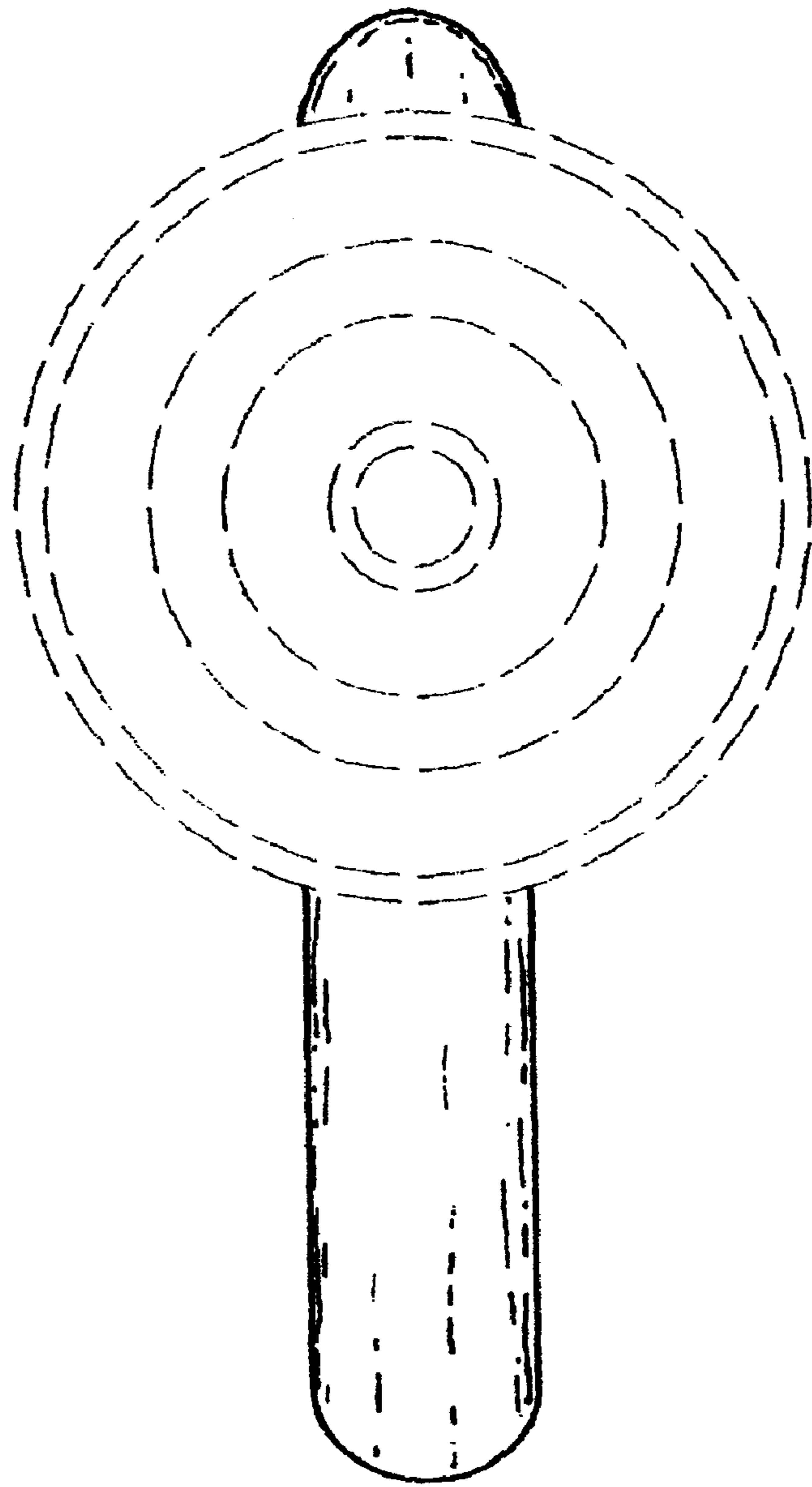


FIG. 6

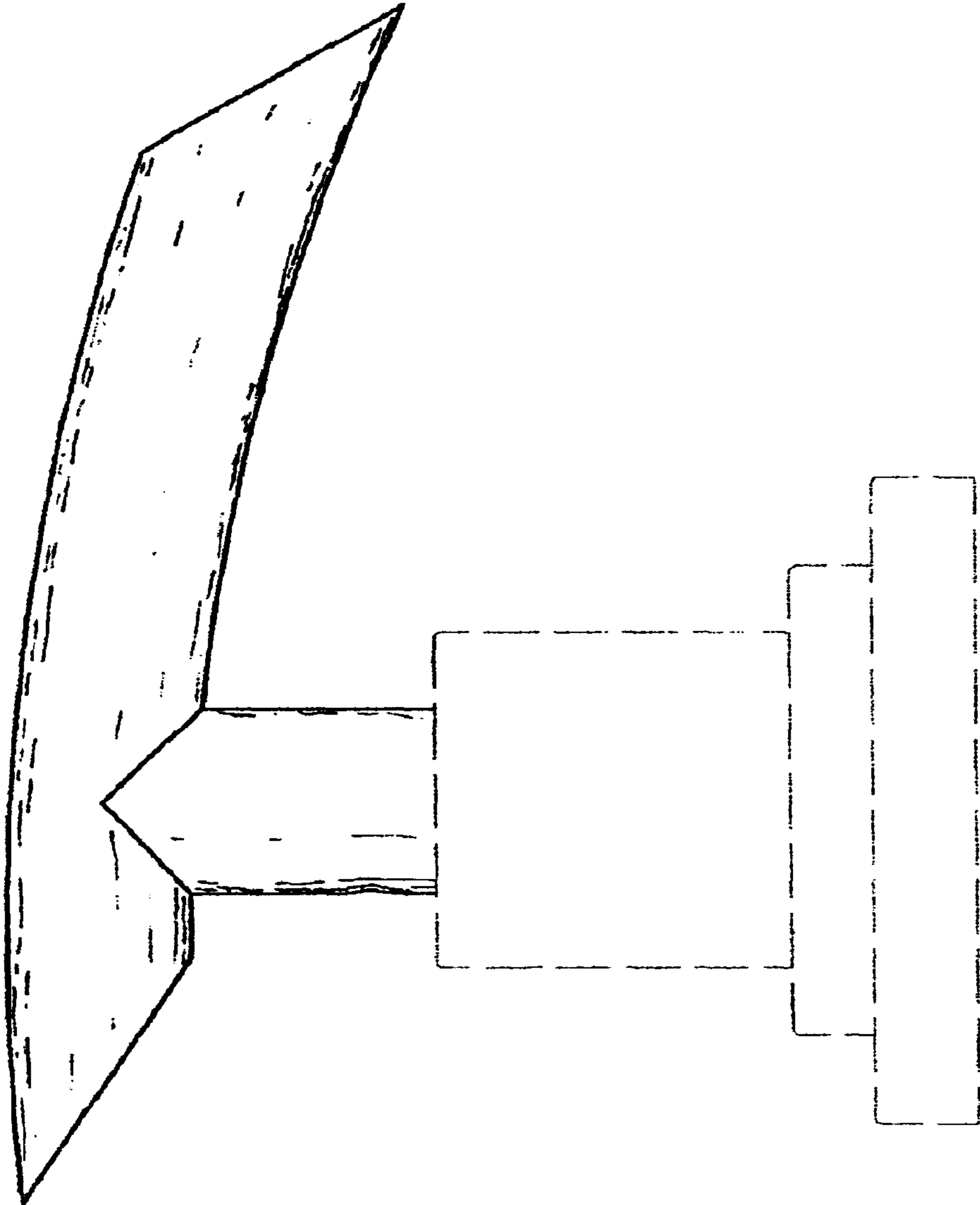


FIG. 7