

US00D505994S

(12) **United States Design Patent**
Blomstrom

(10) **Patent No.:** **US D505,994 S**
(45) **Date of Patent:** **** Jun. 7, 2005**

(54) **HANDLE**

(75) **Inventor:** **John K. Blomstrom**, Sheboygan Falls, WI (US)

(73) **Assignee:** **Kohler Co.**, Kohler, WI (US)

(**) **Term:** **14 Years**

(21) **Appl. No.:** **29/176,602**

(22) **Filed:** **Feb. 24, 2003**

(51) **LOC (8) Cl.** **23-01**

(52) **U.S. Cl.** **D23/252**

(58) **Field of Search** D23/238-243,
D23/249-254; D8/300-312, 350-353, DIG. 2;
4/675-678; 16/110 R; 132/801

(56) **References Cited**

U.S. PATENT DOCUMENTS

| | | | | | |
|------------|---|--------|-----------------|-------|---------|
| D279,213 S | * | 6/1985 | Paul | | D23/242 |
| D460,529 S | * | 7/2002 | Caplow | | D23/252 |
| D461,527 S | * | 8/2002 | Ko | | D23/241 |
| D493,213 S | * | 7/2004 | Svendsen et al. | | D23/252 |

* cited by examiner

Primary Examiner—Louis S. Zarfes

Assistant Examiner—Gregory Andoll

(74) *Attorney, Agent, or Firm*—Quarles & Brady LLP

(57) **CLAIM**

The ornamental design for a handle, as shown and described.

DESCRIPTION

In a preferred embodiment, the nature of this product is as a plumbing handle which is primarily useful for controlling a rotatable valve stem.

FIG. 1 is a left, top, front perspective view of a handle embodying my new design;

FIG. 2 is a front elevational view thereof, the rear elevational view being a mirror image of the front elevational view shown;

FIG. 3 is a top plan view thereof;

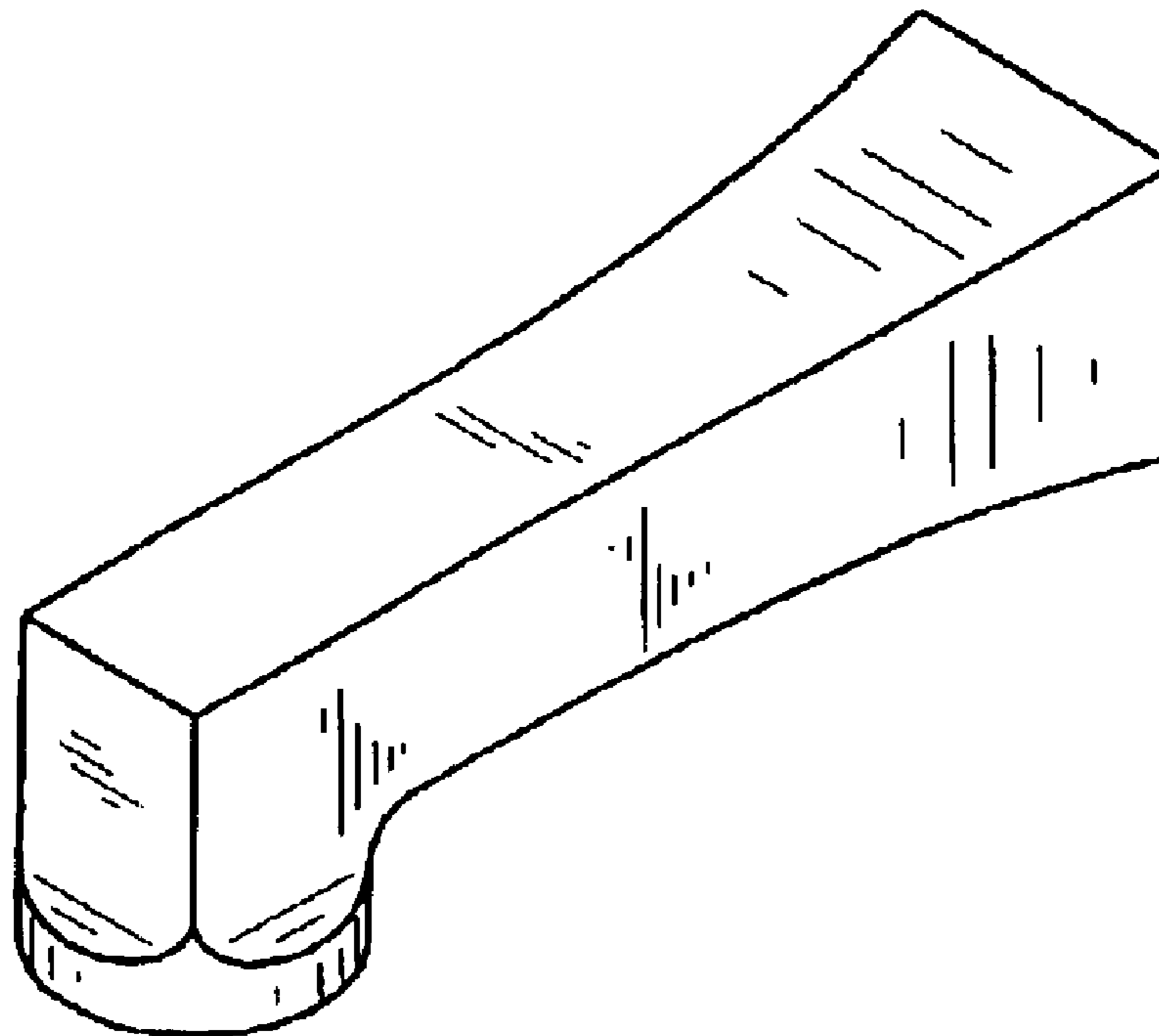
FIG. 4 is a left side elevational view thereof;

FIG. 5 is a right side elevational view thereof; and,

FIG. 6 is a bottom plan view thereof.

The broken line representation of mounting structure in FIG. 6 is for the purpose of illustration only, and forms no part of the claimed design.

1 Claim, 1 Drawing Sheet



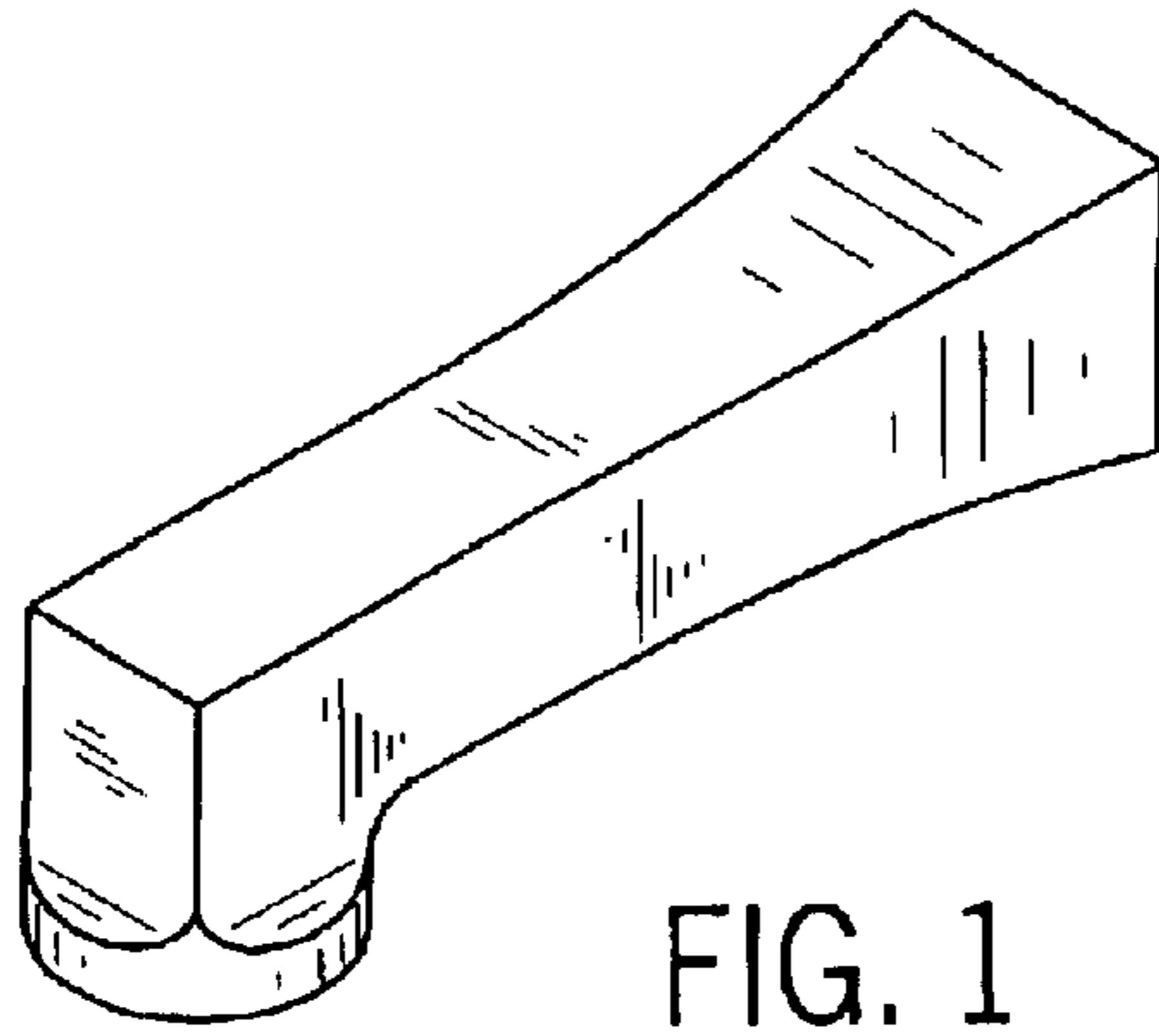


FIG. 1

FIG. 2

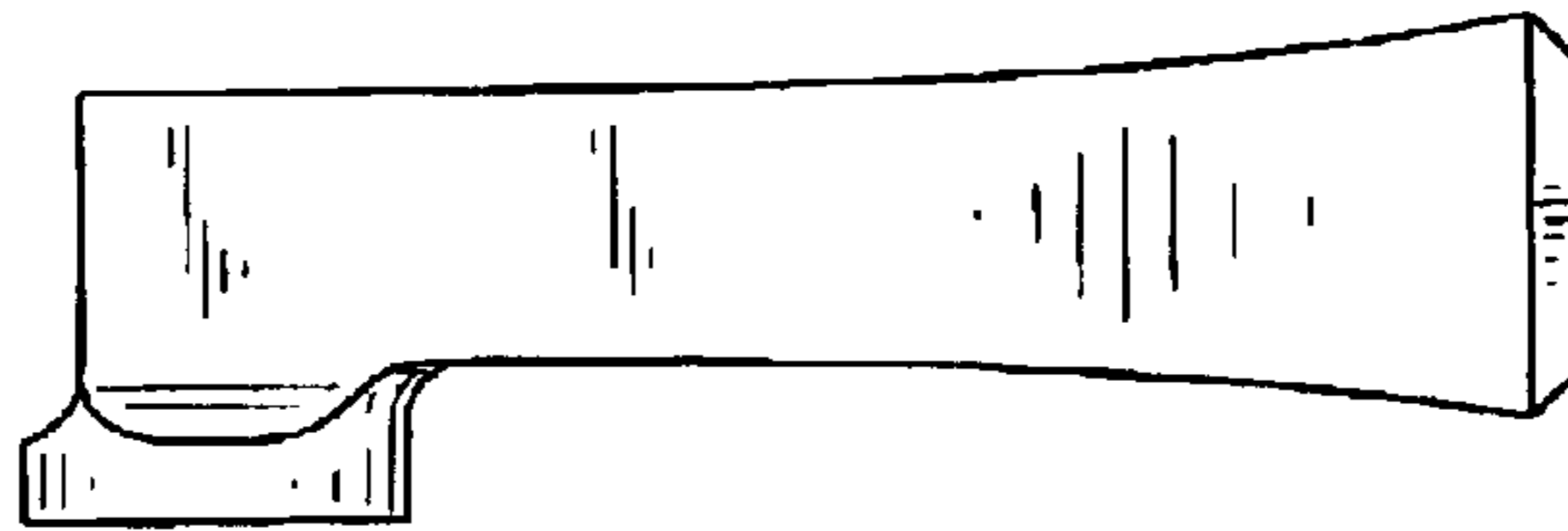


FIG. 3

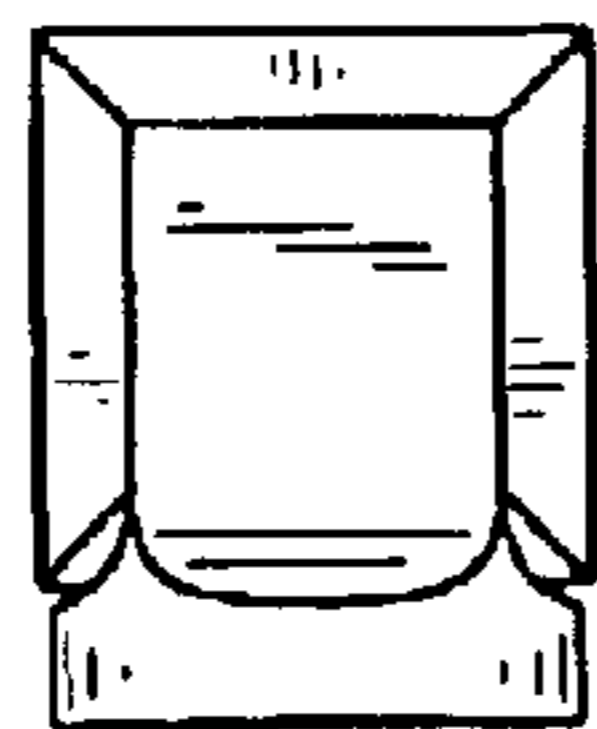
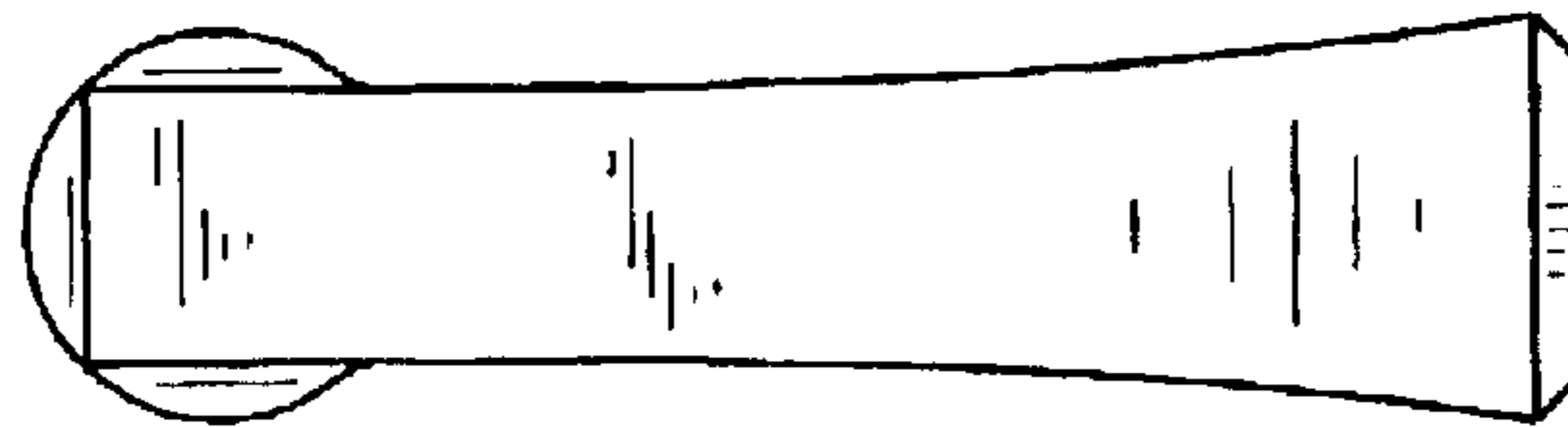


FIG. 4

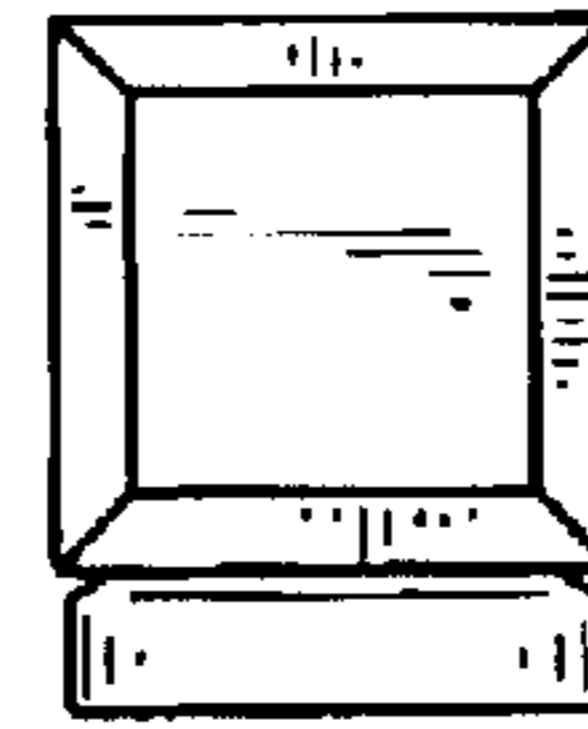


FIG. 5

FIG. 6

