

US00D505992S

(12) **United States Design Patent**
LaHood

(10) **Patent No.: US D505,992 S**

(45) **Date of Patent: ** *Jun. 7, 2005**

(54) **TRAVELING SPRINKLER**

(75) **Inventor: Jim LaHood, Peoria, IL (US)**

(73) **Assignee: L.R. Nelson Corporation, Peoria, IL (US)**

(*) **Notice:** This patent is subject to a terminal disclaimer.

(**) **Term: 14 Years**

(21) **Appl. No.: 29/127,833**

(22) **Filed: Aug. 11, 2000**

(51) **LOC (8) Cl. 23-01**

(52) **U.S. Cl. D23/215**

(58) **Field of Search D23/213-215, D23/219, 220; 239/211; 446/434; D15/23**

(56) **References Cited**

U.S. PATENT DOCUMENTS

D151,118 S * 9/1948 Borgerson D23/219
2,883,116 A * 4/1959 Muench 239/748

D194,656 S * 2/1963 Cornwell D23/219
5,419,494 A * 5/1995 Harwood 239/211
D391,625 S * 3/1998 Sabatta D23/220
D443,915 S * 6/2001 Heren et al. D23/220

* cited by examiner

Primary Examiner—Robin V. Taylor

(74) *Attorney, Agent, or Firm*—Brinks Hofer Gilson & Lione

(57) **CLAIM**

The ornamental design for a traveling sprinkler, as shown.

DESCRIPTION

FIG. 1 is a perspective view of a traveling sprinkler showing my new design;

FIG. 2 is a top plan view thereof;

FIG. 3 is a bottom plan view thereof,

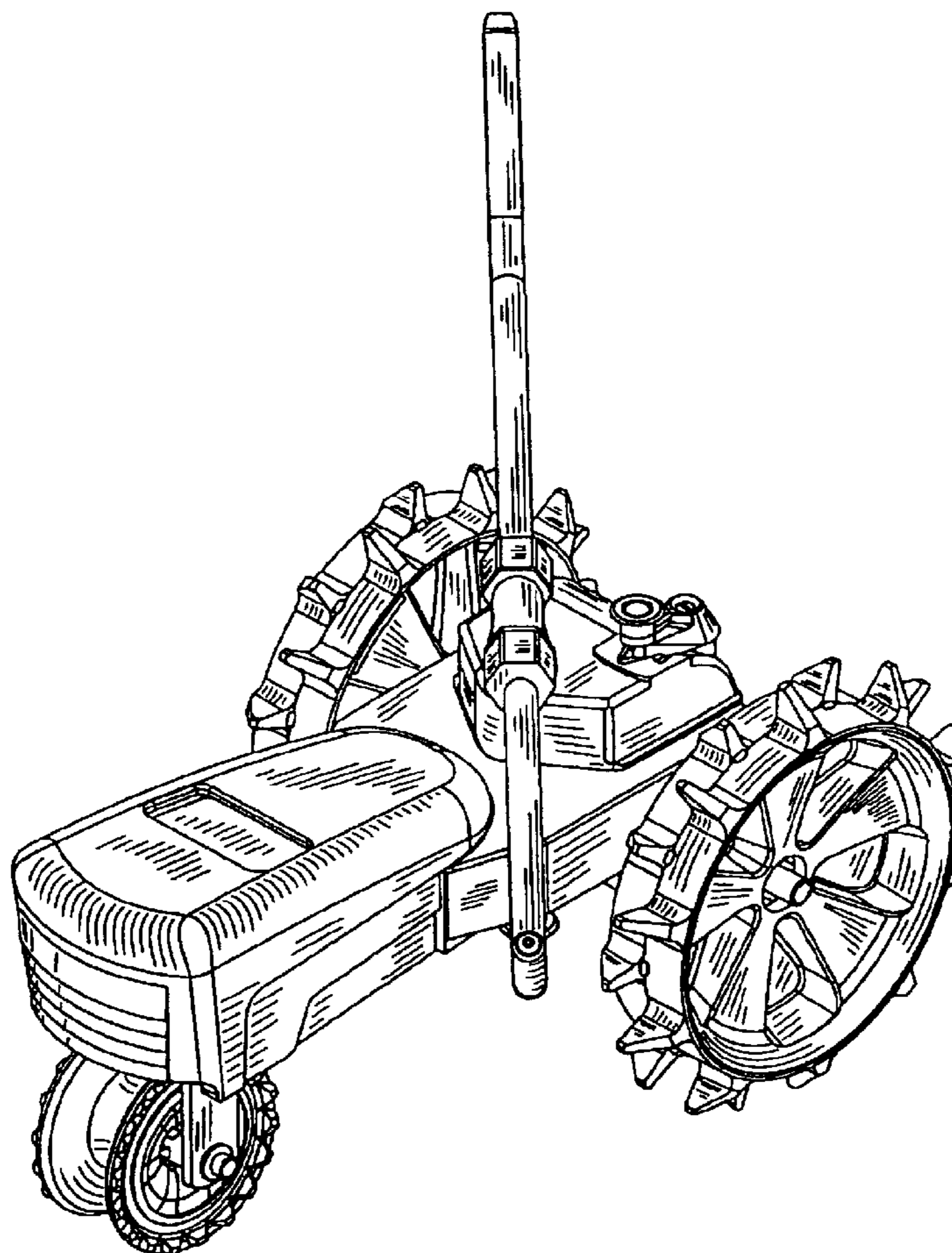
FIG. 4 is a front elevational view showing my new design;

FIG. 5 is a rear elevational view thereof;

FIG. 6 is a right side elevational view thereof; and,

FIG. 7 is a left side elevational view thereof.

1 Claim, 5 Drawing Sheets



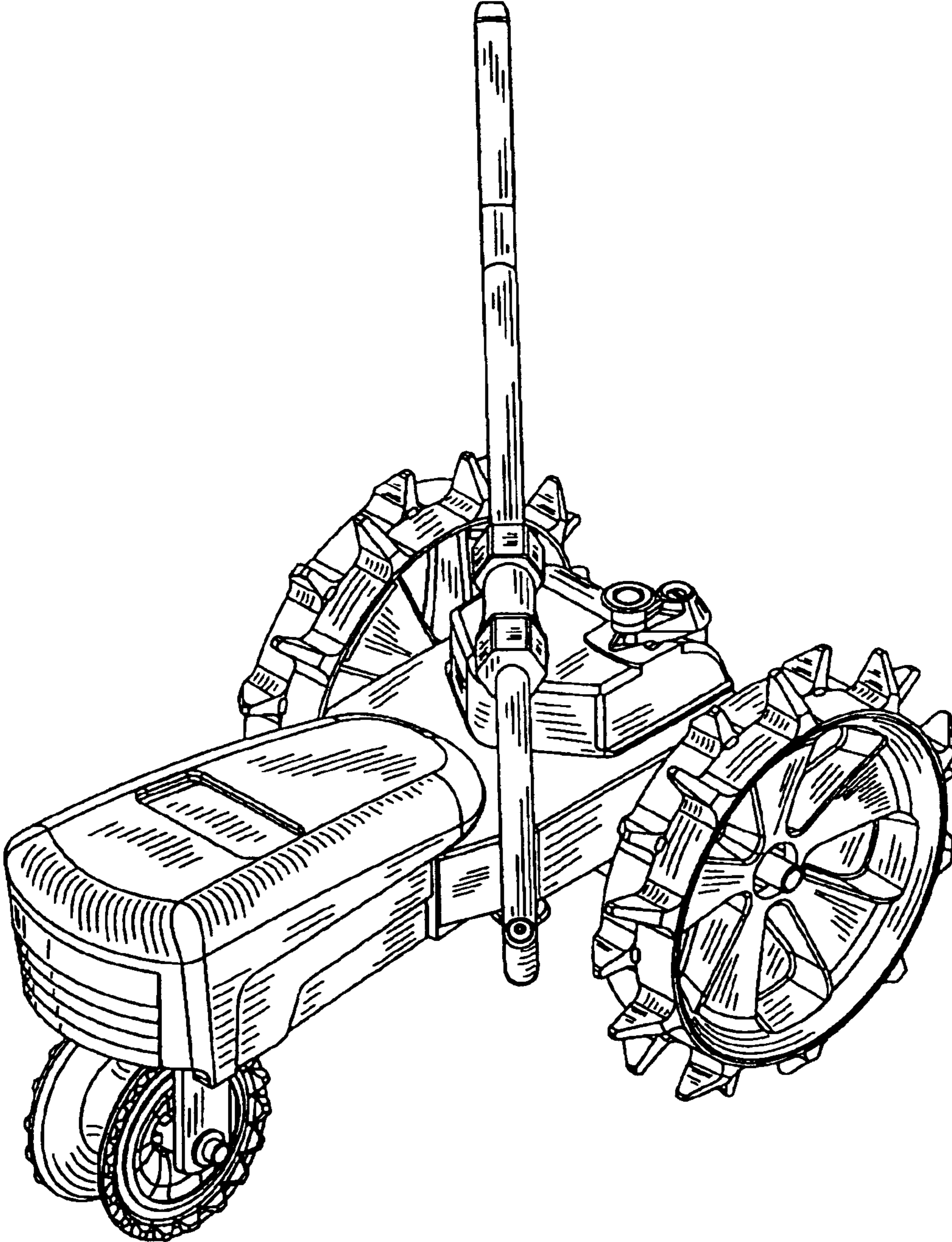


FIG. 1

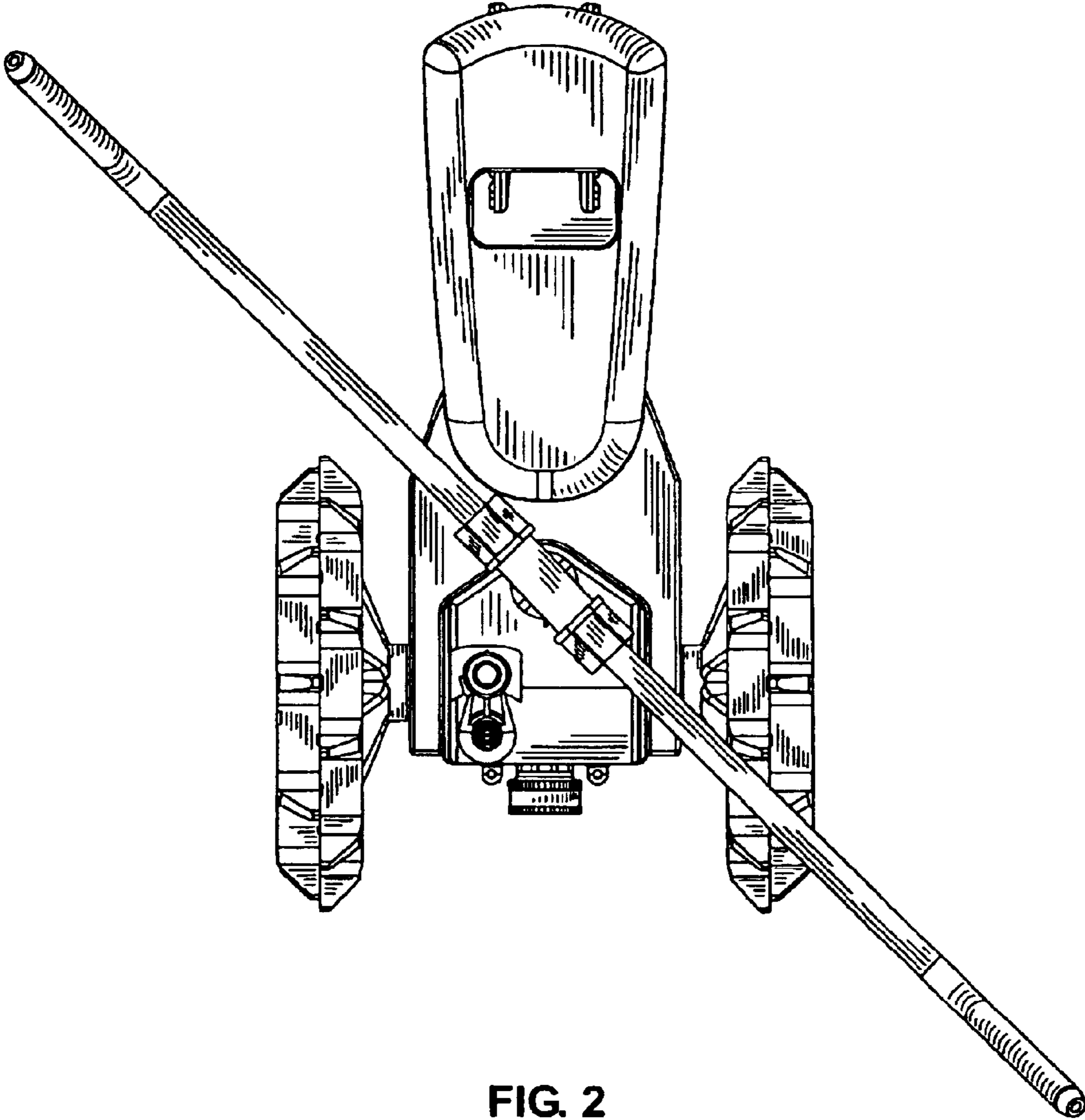


FIG. 2

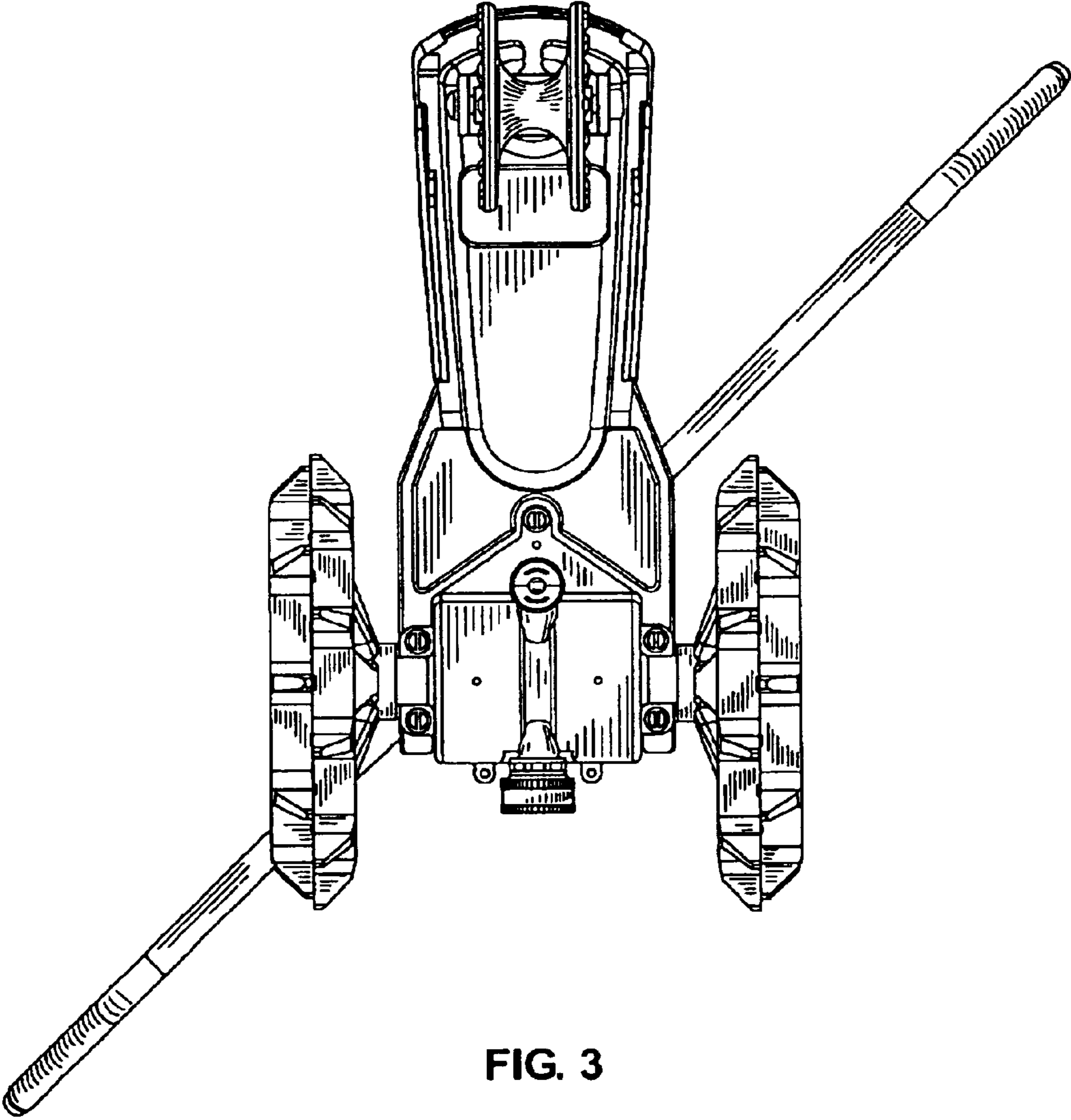


FIG. 3

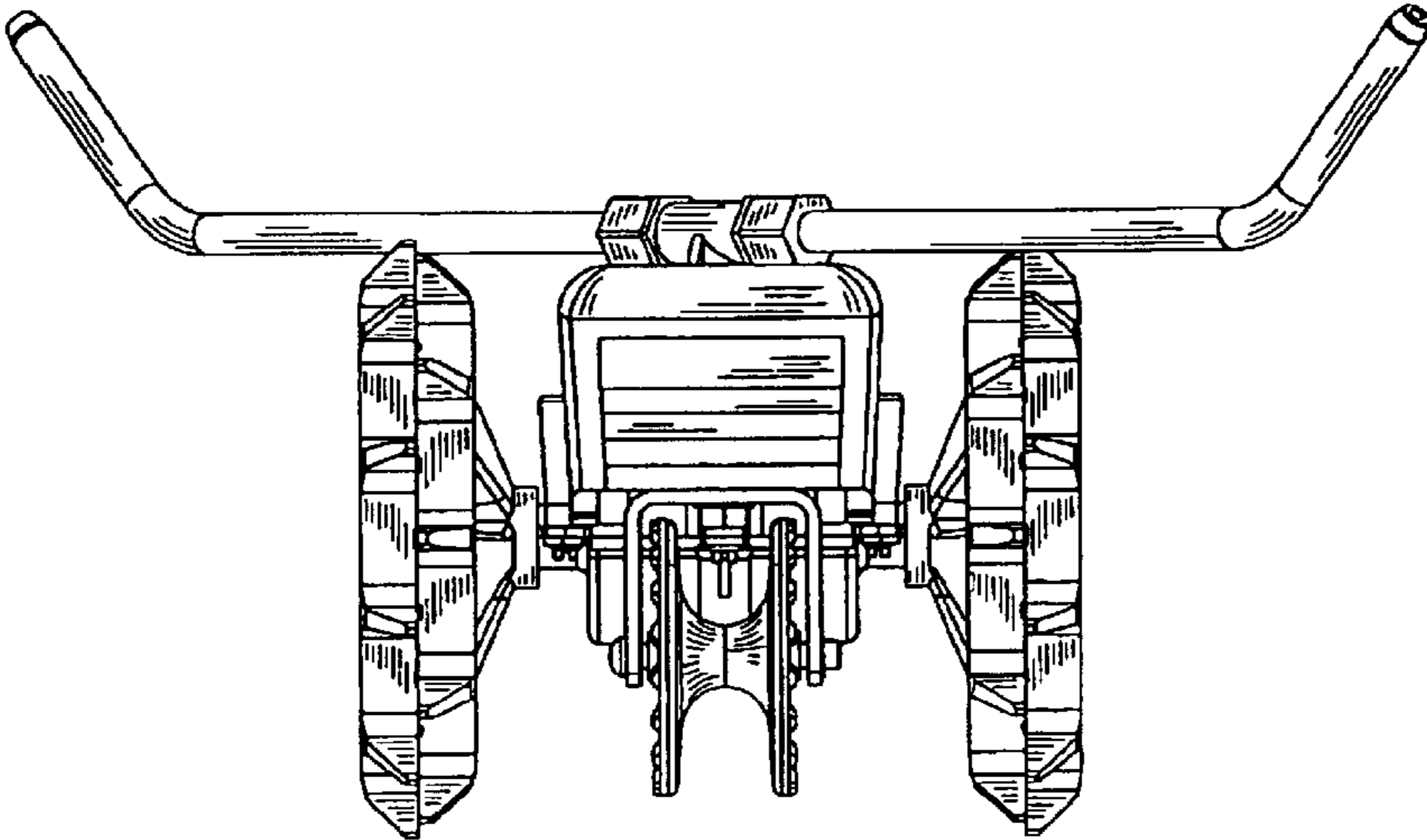


FIG. 4

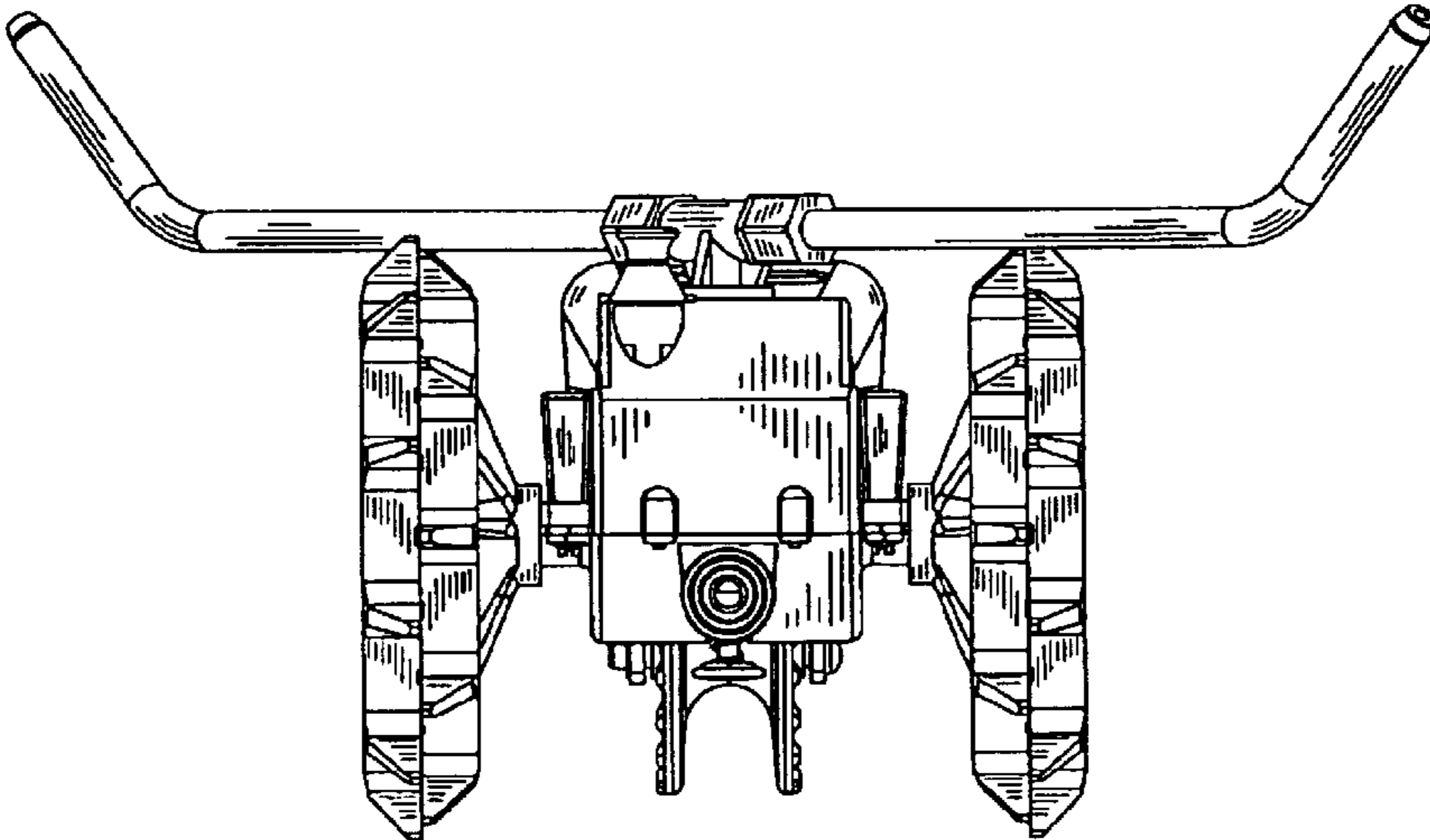


FIG. 5

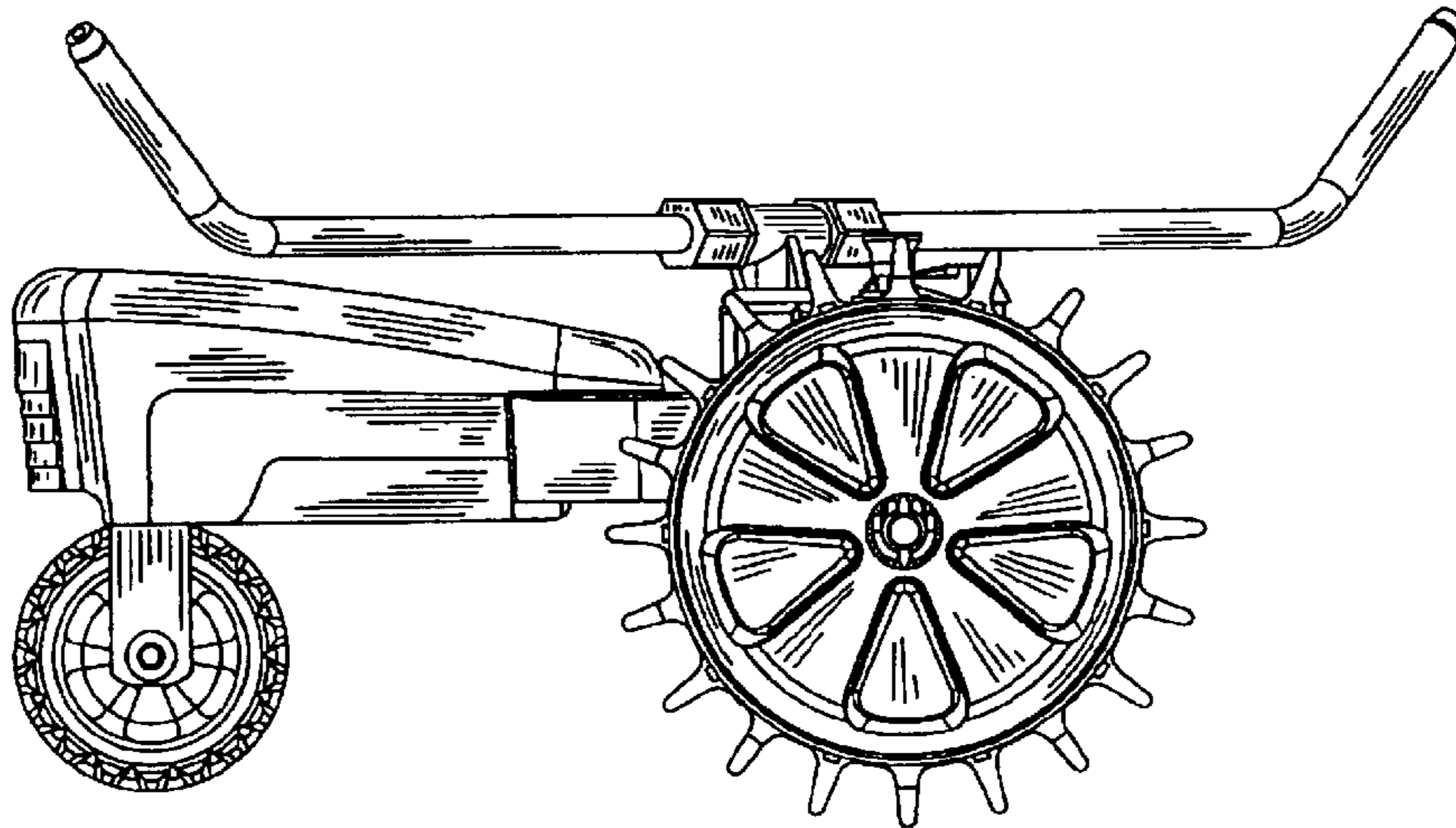


FIG. 6

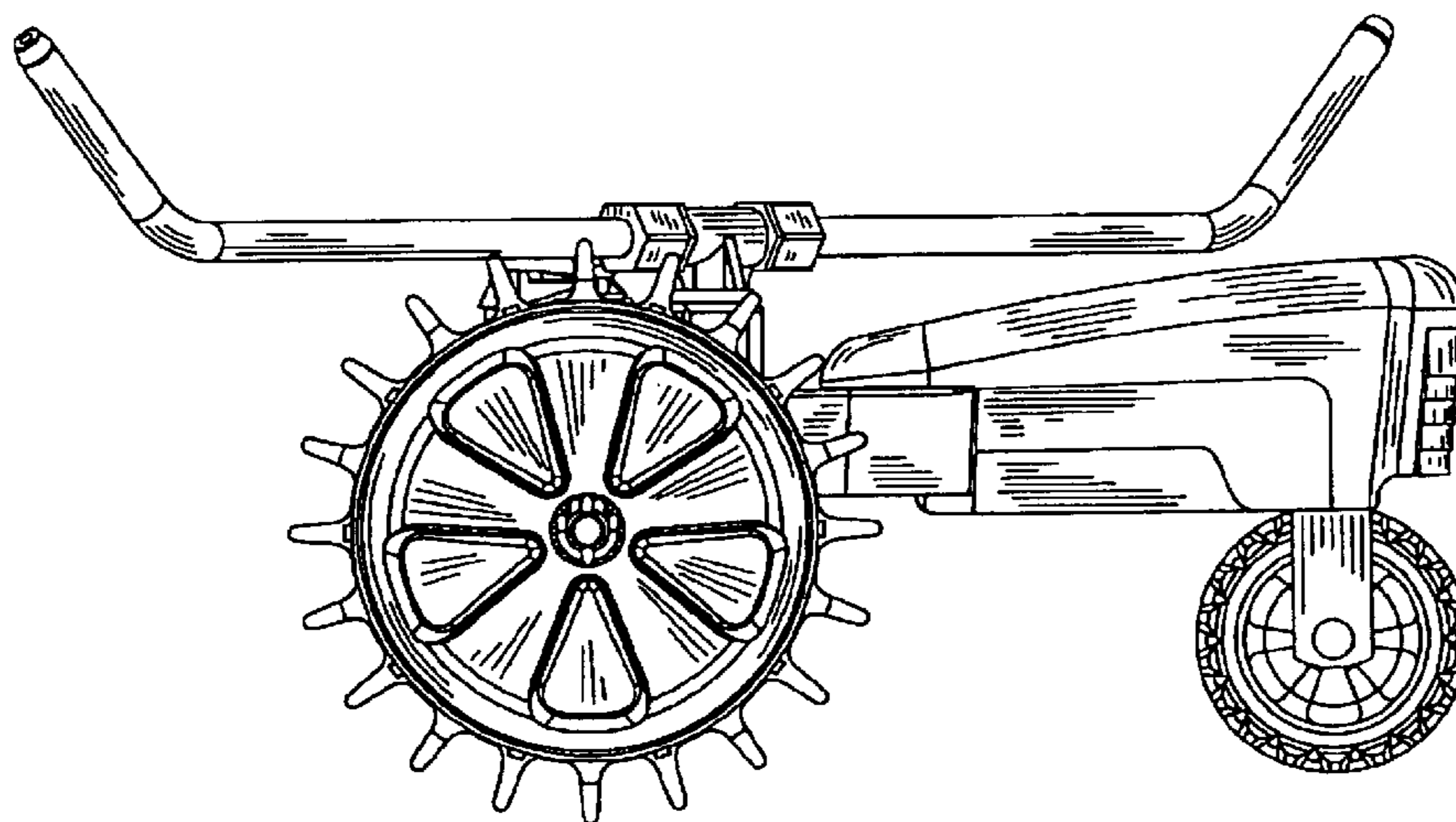


FIG. 7