



US00D505991S

(12) **United States Design Patent**
Iwabuchi et al.

(10) **Patent No.:** **US D505,991 S**
(45) **Date of Patent:** **** Jun. 7, 2005**

(54) **SPINNING REEL**

(75) Inventors: **Masakazu Iwabuchi**, Tondabayashi (JP); **Akira Nago**, Sakai (JP)

(73) Assignee: **Shimano Inc.**, Osaka (JP)

(**) Term: **14 Years**

(21) Appl. No.: **29/205,318**

(22) Filed: **May 13, 2004**

(30) **Foreign Application Priority Data**

Dec. 25, 2003 (JP) 2003-038284

(51) **LOC (8) Cl.** **22-05**

(52) **U.S. Cl.** **D22/141**

(58) **Field of Search** D22/137-142;
43/19-22; 242/316, 224, 370, 223, 234,
311, 322, 283

(56) **References Cited**

U.S. PATENT DOCUMENTS

D414,237 S * 9/1999 Kang et al. D22/141

D424,657 S * 5/2000 Kang et al. D22/141

D443,019 S * 5/2001 Kang et al. D22/141

* cited by examiner

Primary Examiner—Catherine R. Oliver

(74) *Attorney, Agent, or Firm*—Shinju Global IP Counselors, LLP

(57) **CLAIM**

The ornamental design for a spinning reel, as shown and described.

DESCRIPTION

FIG. 1 is a front elevational view of the spinning reel in accordance with our new design;

FIG. 2 is a rear elevational view of the spinning reel in accordance with our new design;

FIG. 3 is a top plan view of the spinning reel in accordance with our new design;

FIG. 4 is a bottom plan view of the spinning reel in accordance with our new design;

FIG. 5 is a right side view of the spinning reel in accordance with our new design;

FIG. 6 is a left side view of the spinning reel in accordance with our new design;

FIG. 7 is a right bottom perspective view of the spinning reel in accordance with our new design;

FIG. 8 is a left top perspective view of the spinning reel in accordance with our new design;

FIG. 9 is a cross sectional view of the spinning reel in accordance with our new design, as viewed along line 9—9 in FIG. 1;

FIG. 10 is a cross sectional view of the handle of the spinning reel in accordance with our new design, as viewed along line 10—10 in FIG. 1;

FIG. 11 is a cross sectional view of the handle of the spinning reel in accordance with our new design, as viewed along line 11—11 in FIG. 1; and,

FIG. 12 is a cross sectional view of the skirt portion of the spool of the spinning reel in accordance with our new design, as viewed along line 12—12 in FIG. 4.

1 Claim, 6 Drawing Sheets

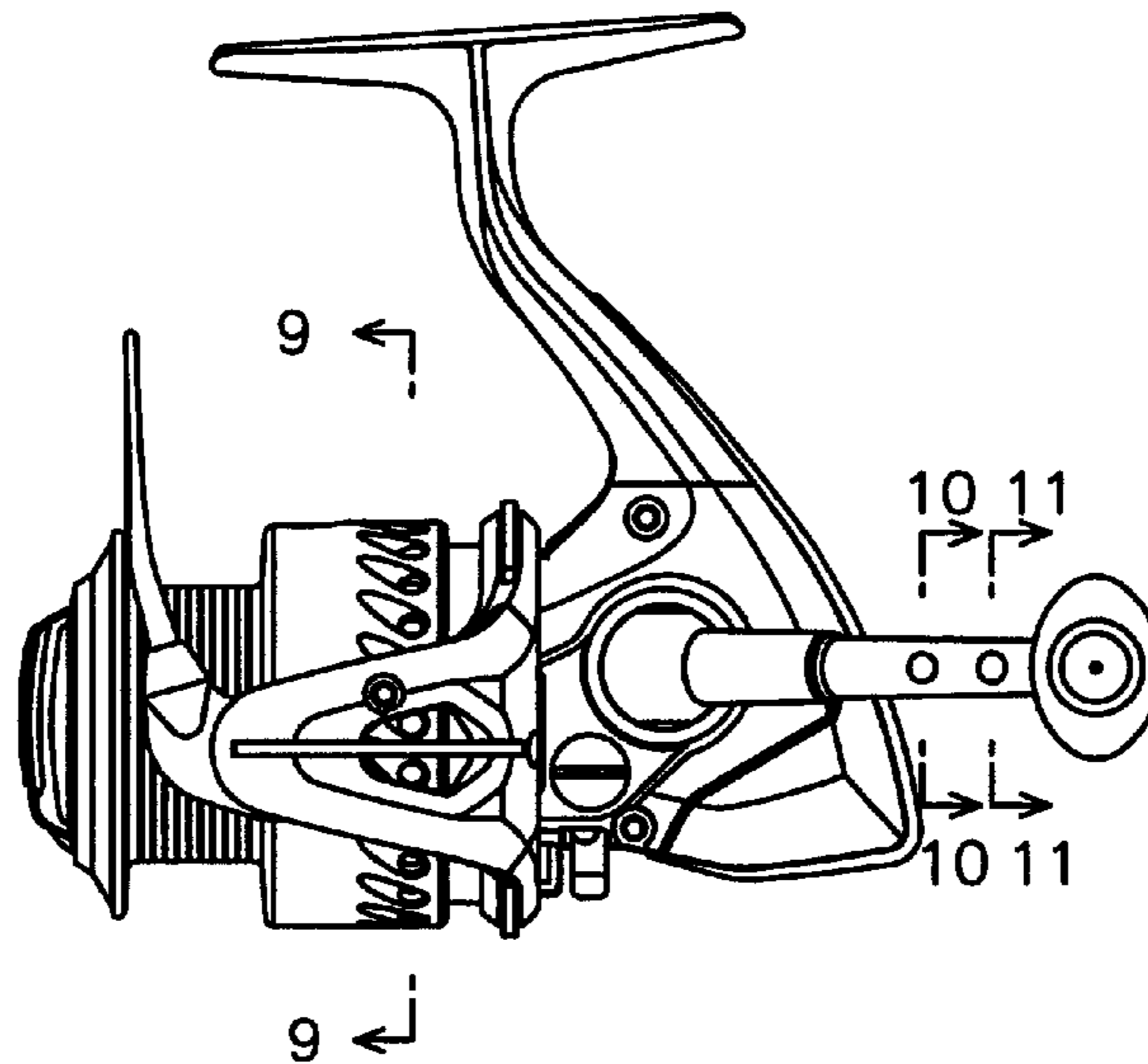


Figure 1

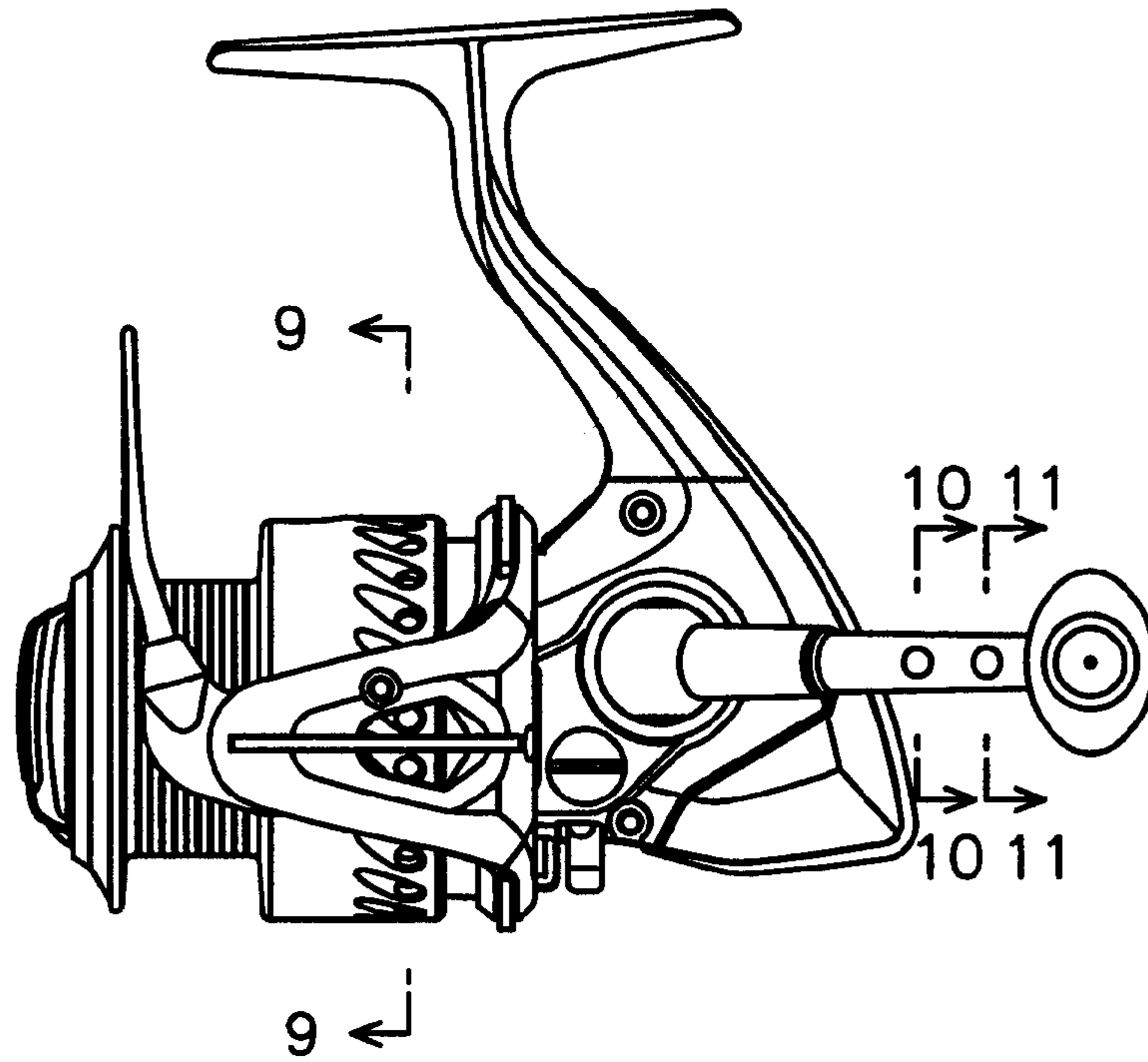


Figure 2

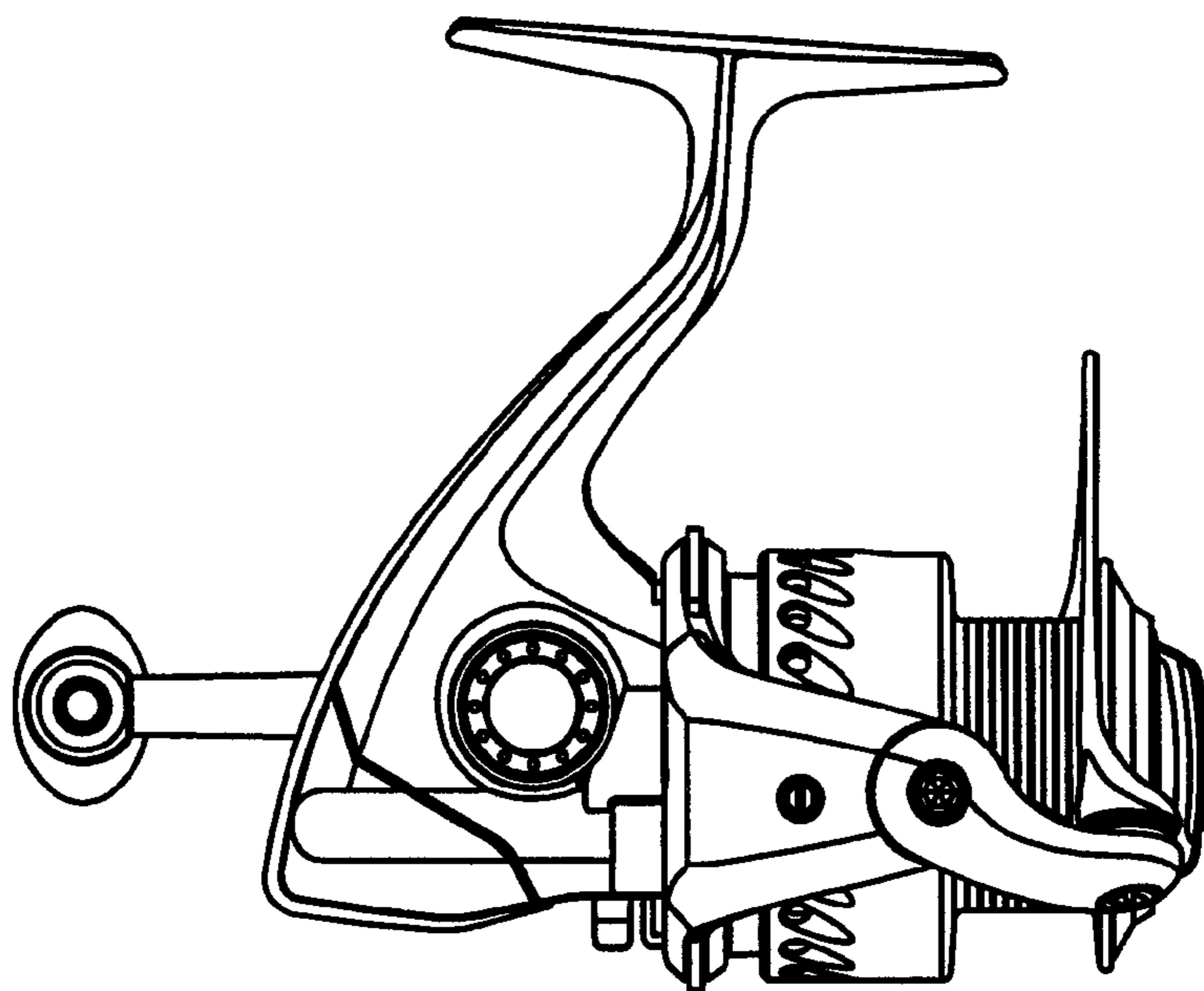


Figure 3

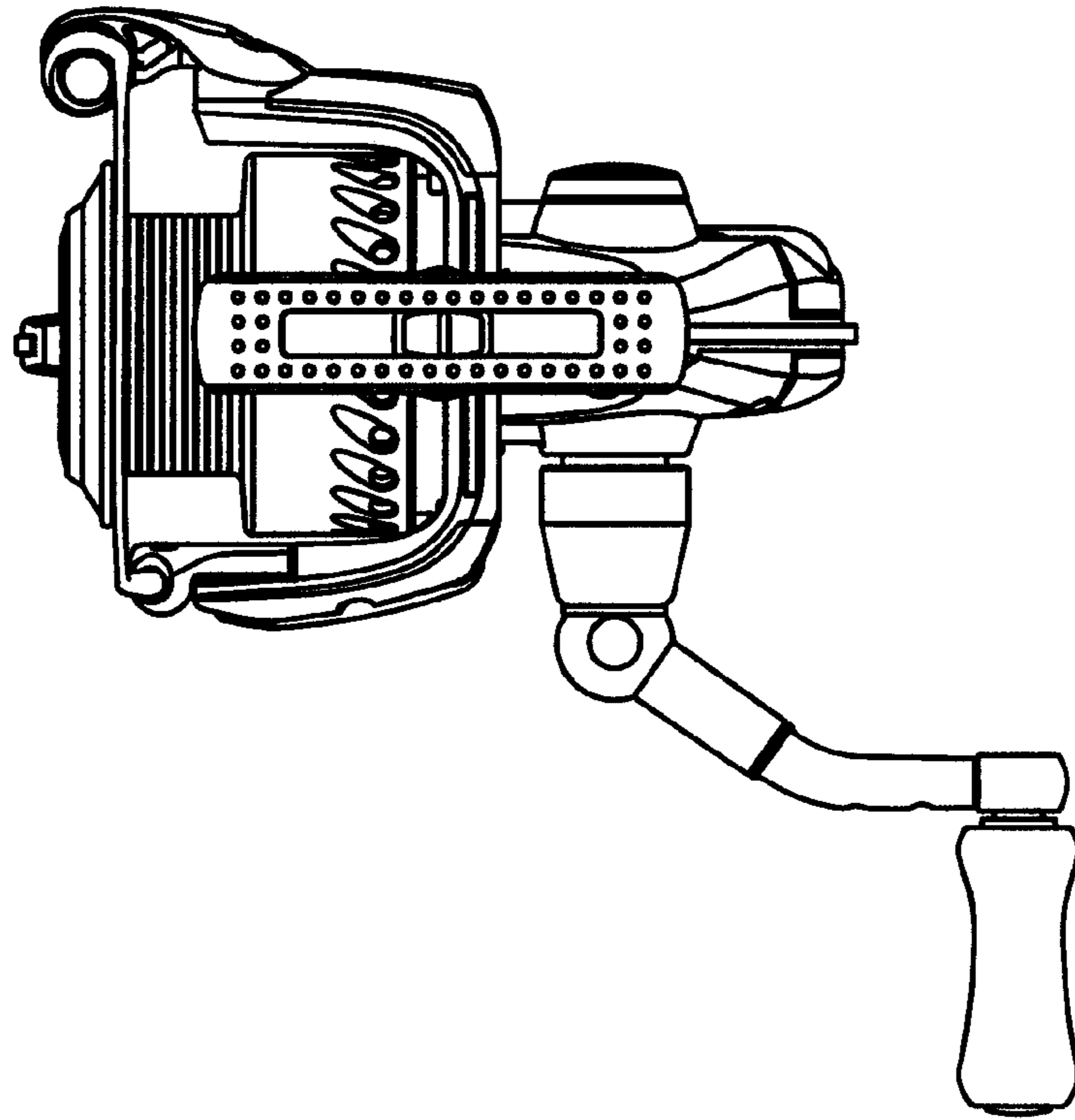


Figure 4

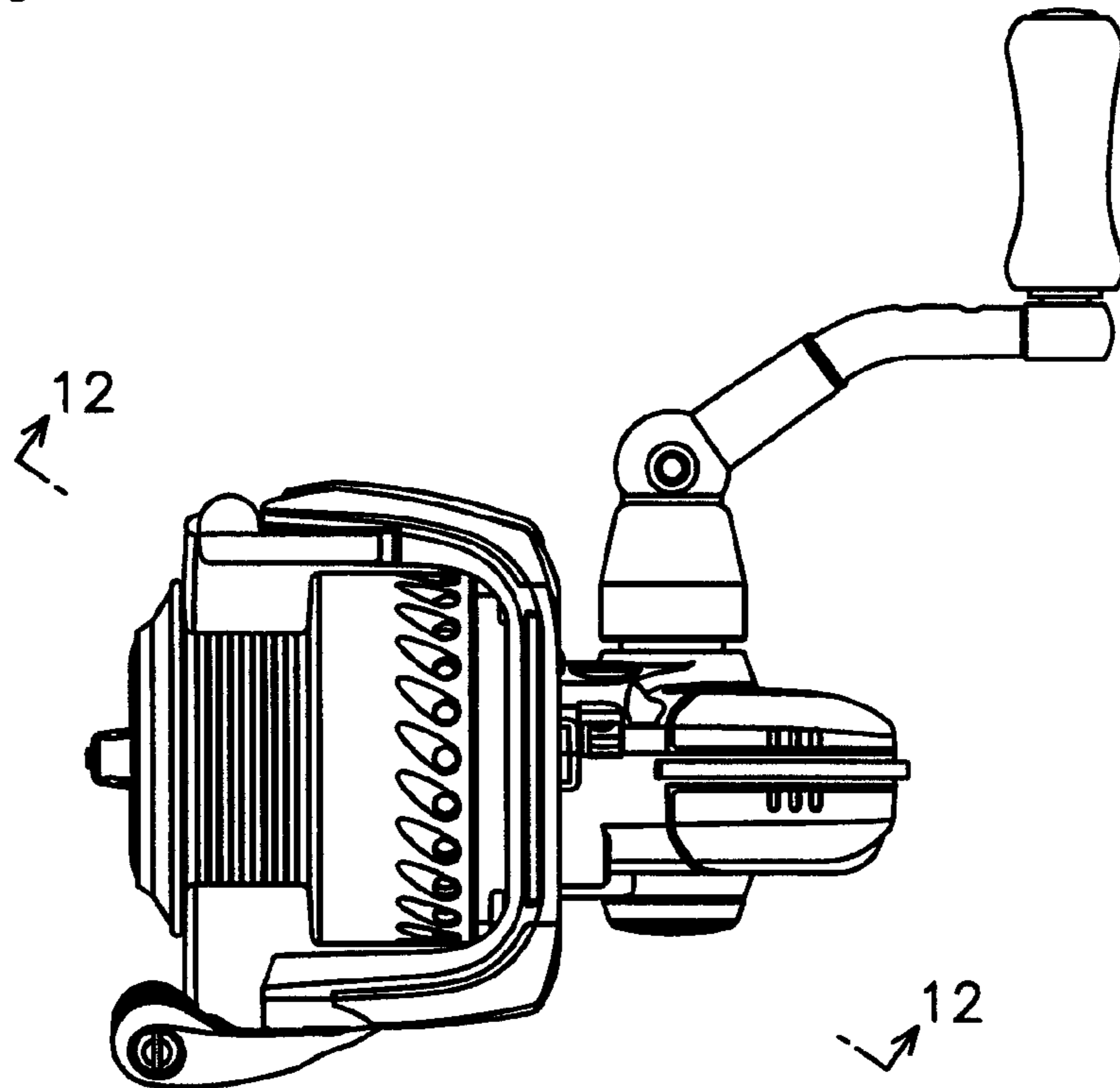


Figure 5

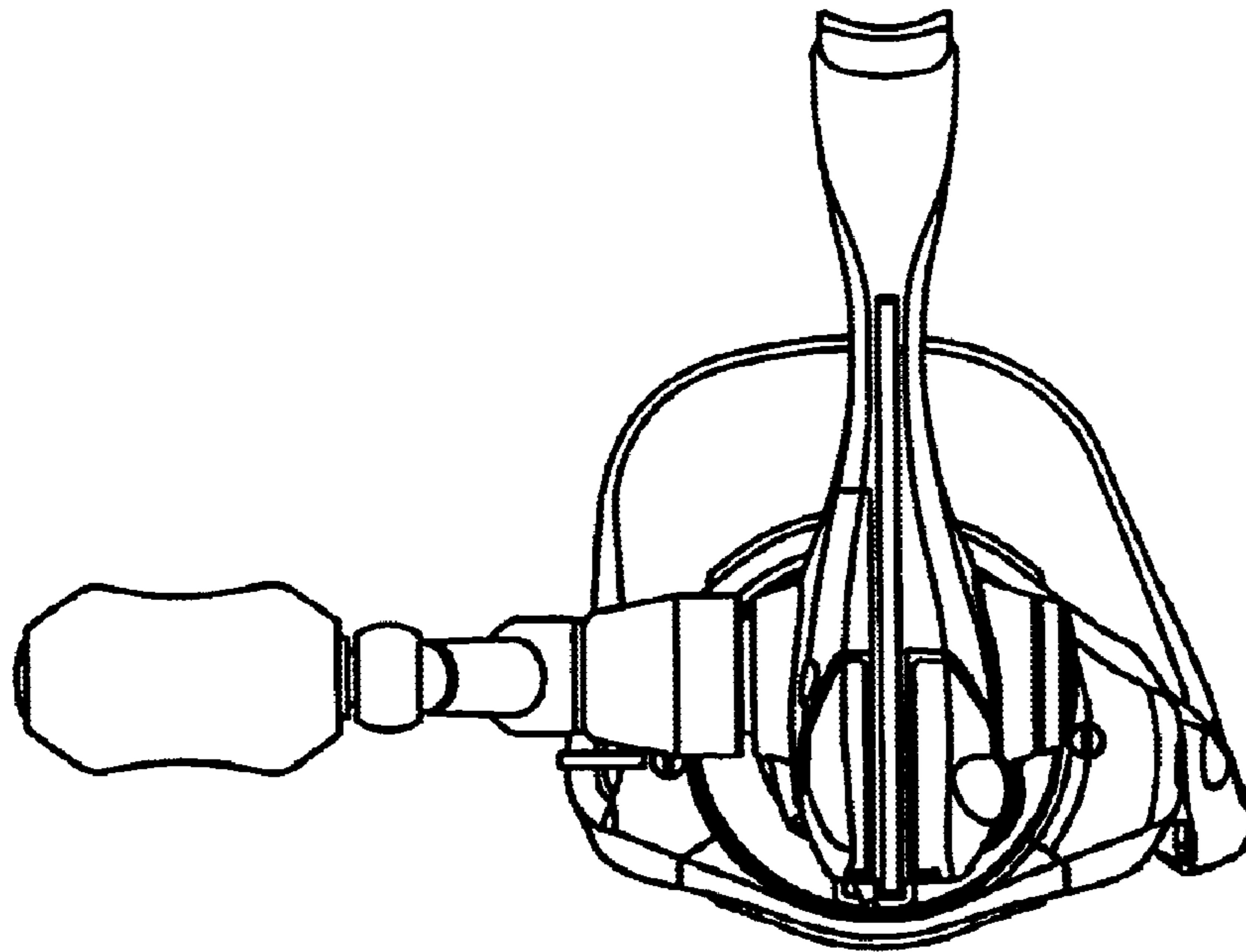


Figure 6

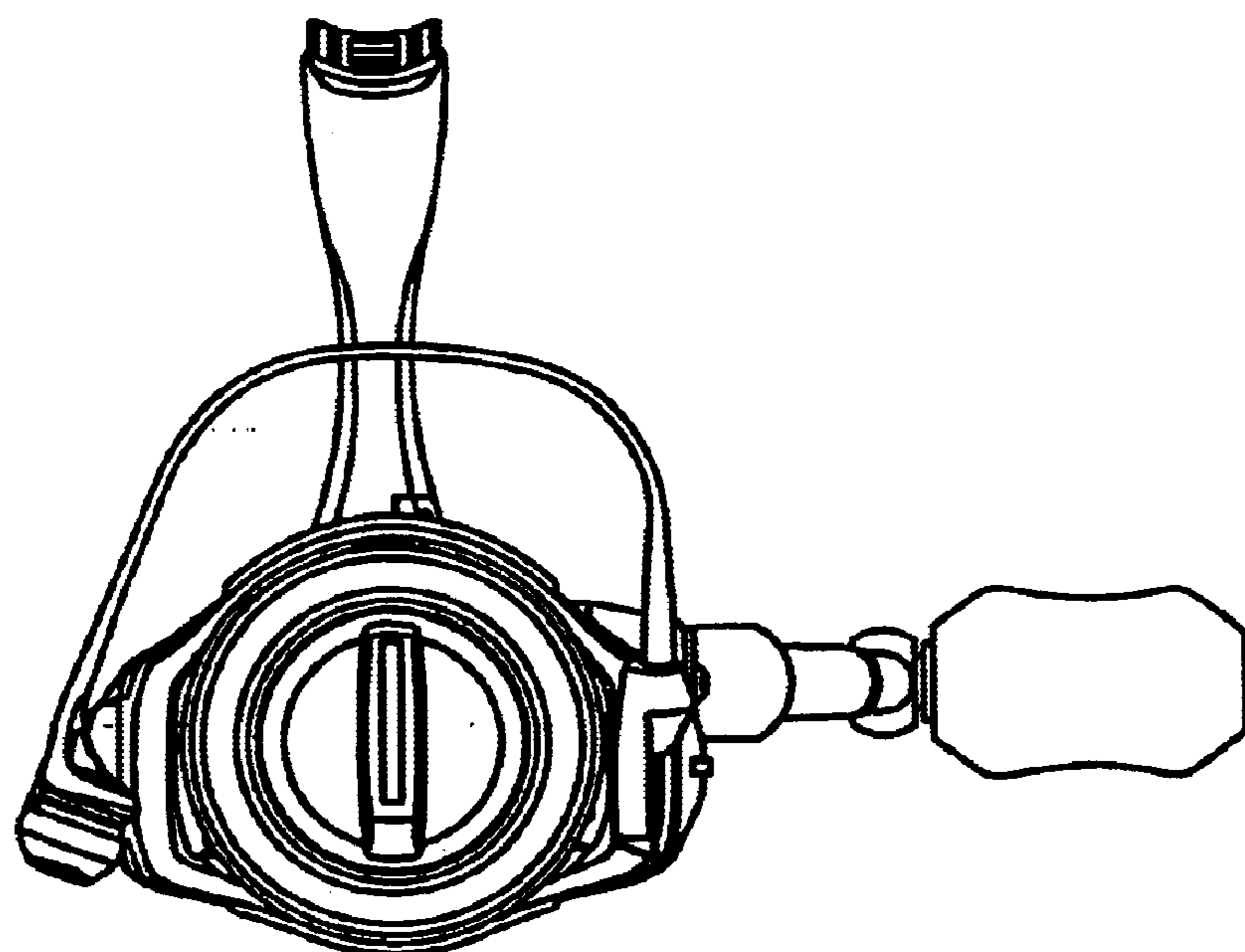


Figure 7

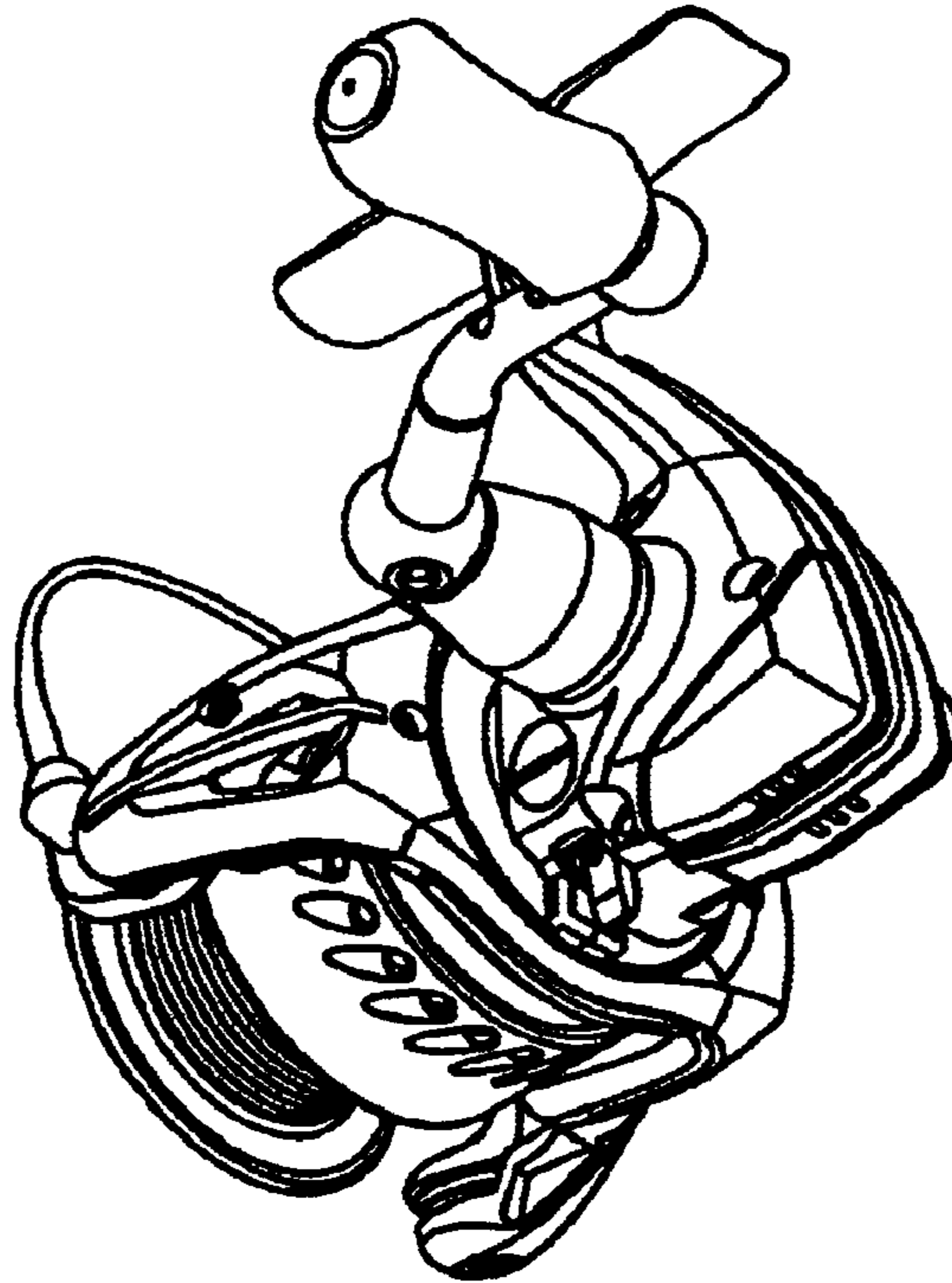


Figure 8

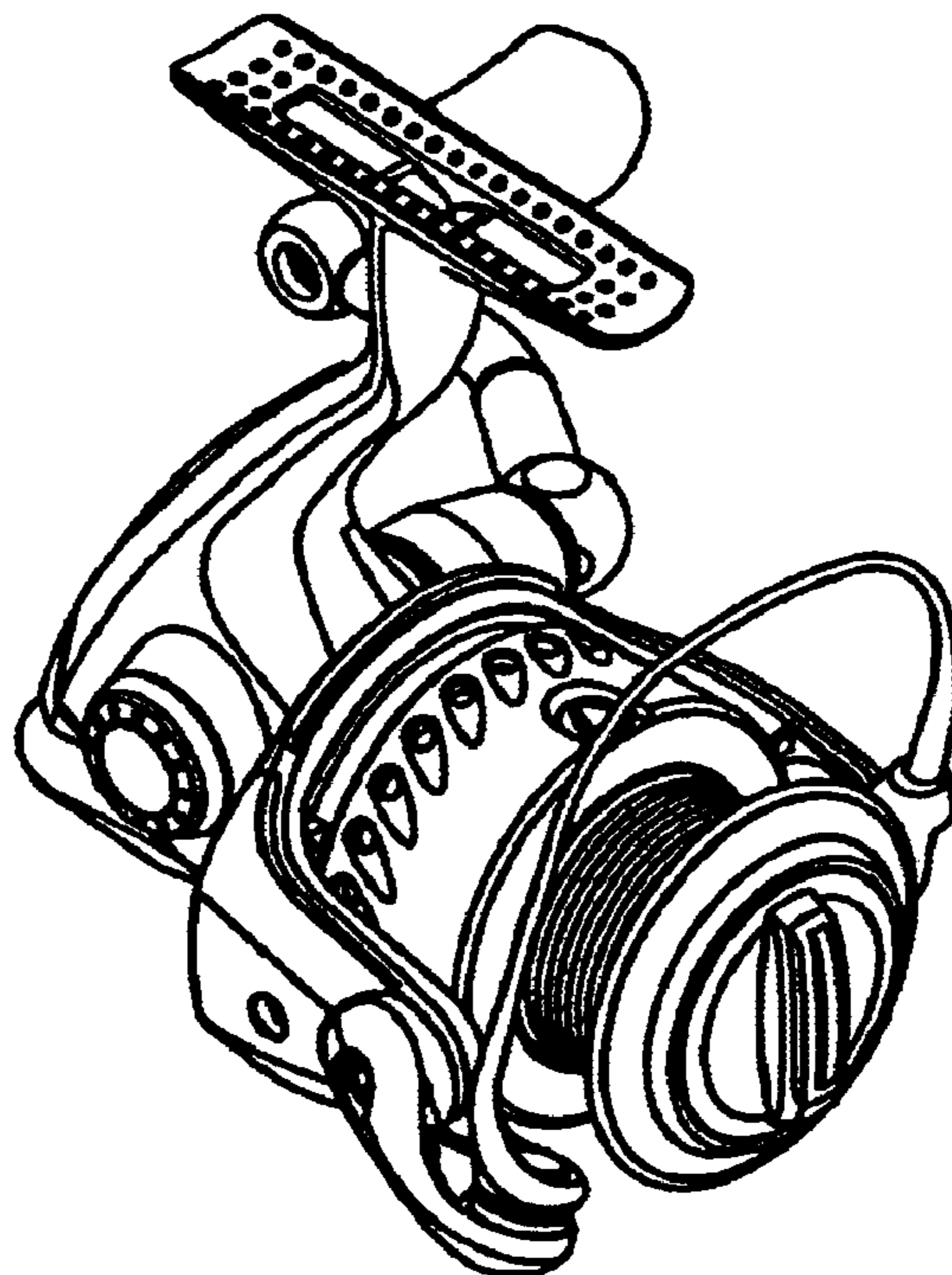


Figure 9

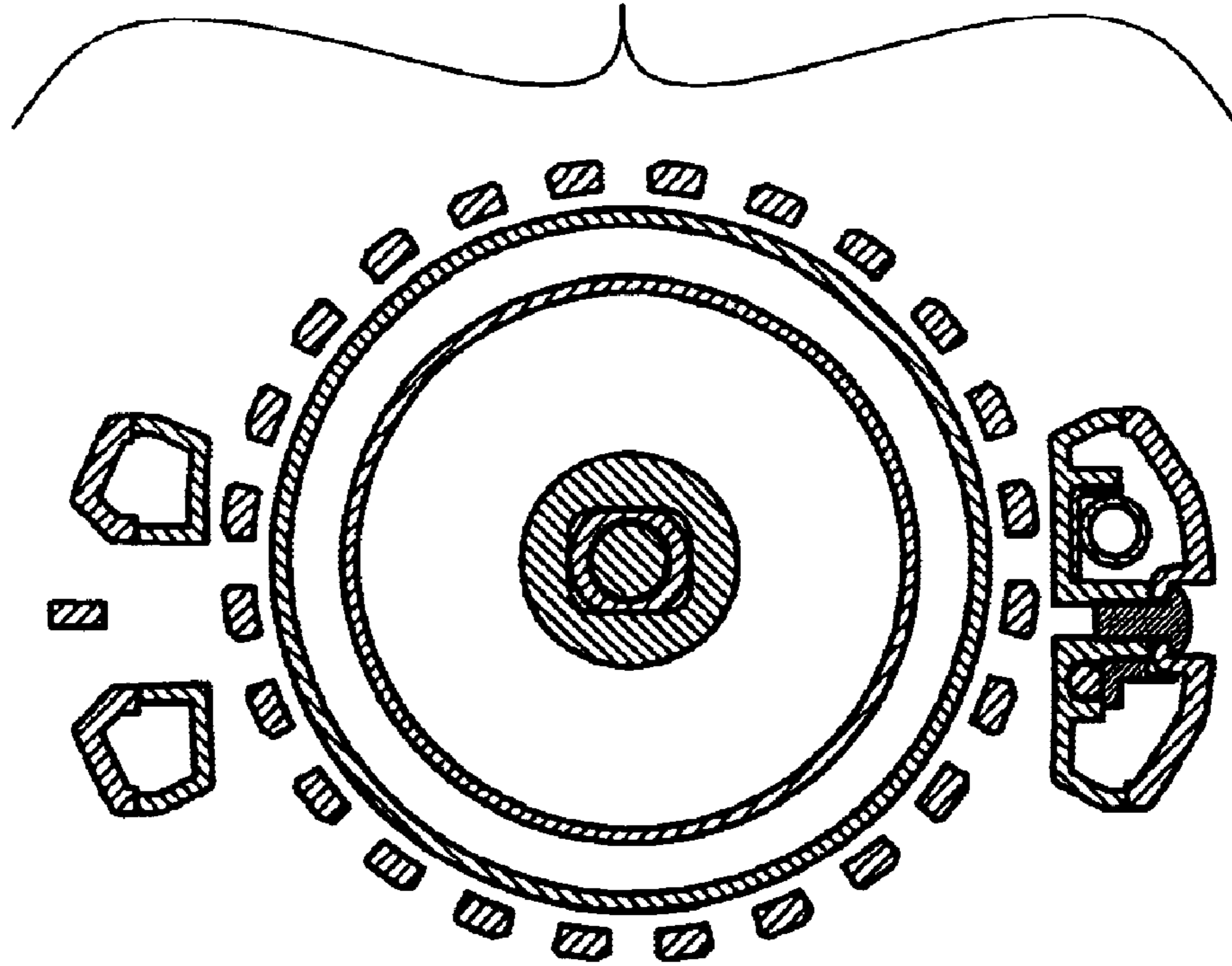


Figure 10



Figure 11



Figure 12

