



US00D505986S

(12) **United States Design Patent**
Bamber

(10) **Patent No.:** **US D505,986 S**

(45) **Date of Patent:** **** Jun. 7, 2005**

(54) **GOLF CLUB SHAFT**

(76) **Inventor:** **Jeffrey V. Bamber**, 5023 Village Dr.,
Cincinnati, OH (US) 45244

(**) **Term:** **14 Years**

(21) **Appl. No.:** **29/196,649**

(22) **Filed:** **Jan. 2, 2004**

(51) **LOC (8) Cl.** **21-02**

(52) **U.S. Cl.** **D21/757**

(58) **Field of Search** **D21/733-752,**
D21/756, 757; 473/316-323

(56) **References Cited**

U.S. PATENT DOCUMENTS

2,018,723	A	10/1935	Hutchison	
5,251,896	A	10/1993	Gerlach	
5,335,908	A	8/1994	Bamber	
5,545,094	A	8/1996	Hsu	
D378,771	S	* 4/1997	Antonious	D21/757
D380,802	S	* 7/1997	Franks	D21/757
5,913,733	A	6/1999	Bamber	
D421,783	S	* 3/2000	Ryu	D21/757
D425,594	S	* 5/2000	McTague	D21/757
6,056,648	A	5/2000	Kusumoto et al.	
D436,138	S	* 1/2001	Chiasson	D21/757
6,520,867	B1	2/2003	Miura et al.	
6,561,922	B2	5/2003	Bamber	

* cited by examiner

Primary Examiner—Mitchell Siegel

(57) **CLAIM**

The ornamental design for a golf club shaft, as shown and described.

DESCRIPTION

FIG. 1 is a perspective view of a golf club comprising the golf club shaft, embodying my new design;

FIG. 2 is a side elevational view of the golf club shaft shown in FIG. 1.

FIG. 3 is a side elevational view of the golf club shaft rotated 180 degrees from the view shown in FIG. 2;

FIG. 4 is a side elevational view of the golf club shaft rotated 90 degrees from the view shown in FIG. 2;

FIG. 5 is an end view of the golf club shaft at the tip end of the shaft;

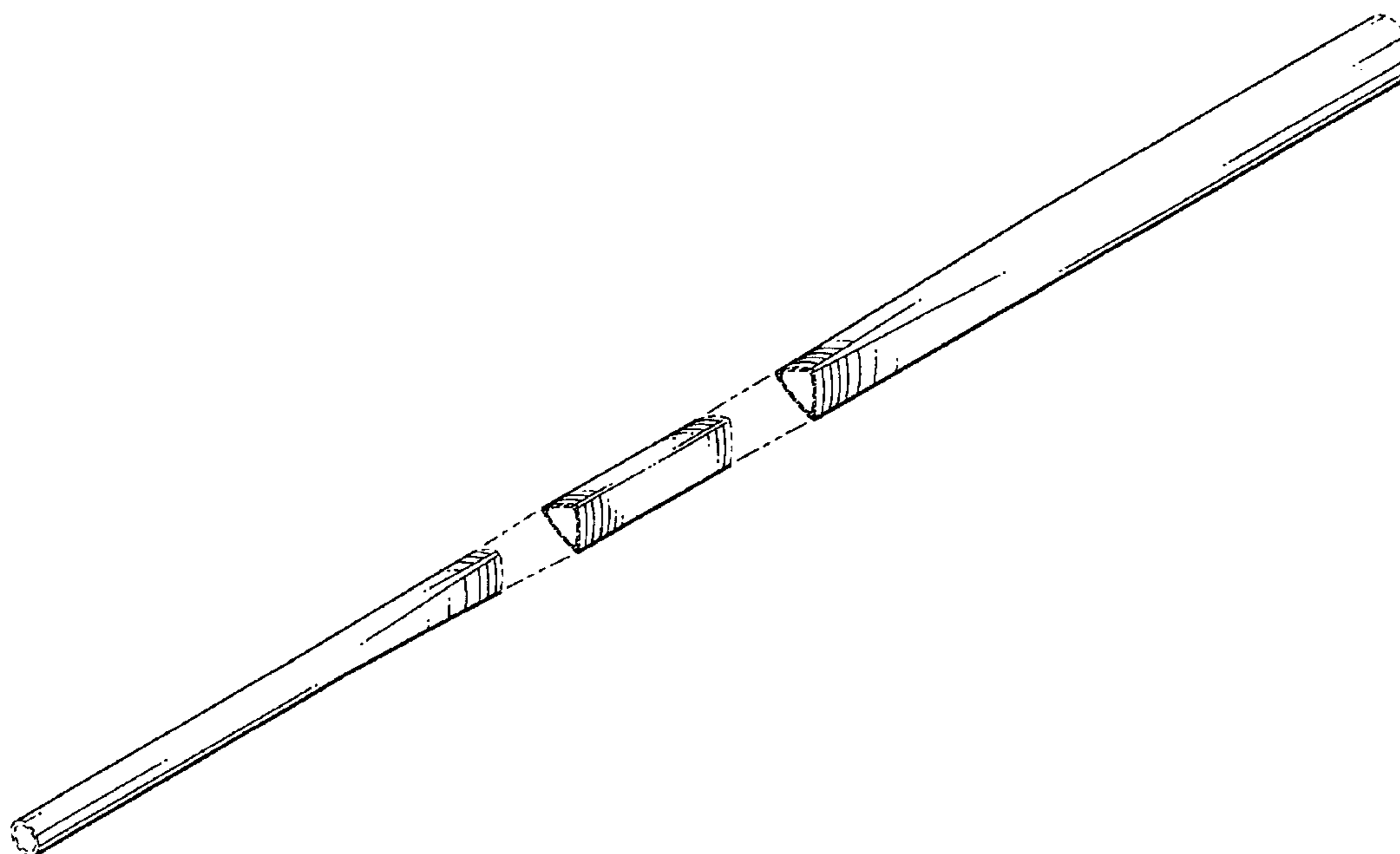
FIG. 6 is an end view of the golf club shaft at the butt end of the shaft;

FIG. 7 is a cross-sectional view of the golf club shaft taken along line 7—7 of FIG. 2; and,

FIG. 8 is a partially fragmented perspective view of one embodiment of the golf club shaft that shows the different sections of the same and the transitions between the different sections, which sections and transitions may be of any length.

The broken lines shown in the drawings are for illustrative purposes only and form no part of the claimed design.

1 Claim, 4 Drawing Sheets



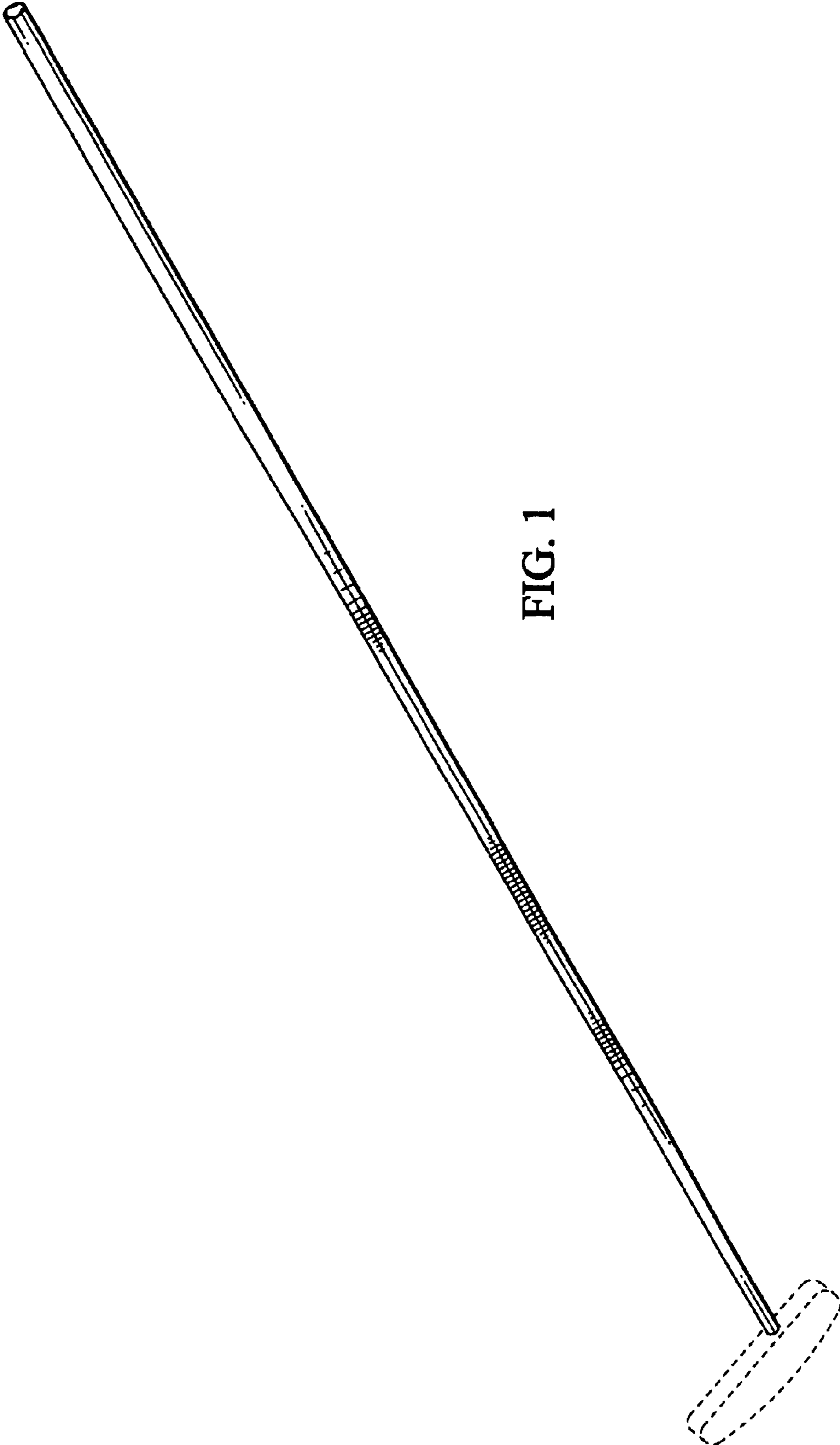
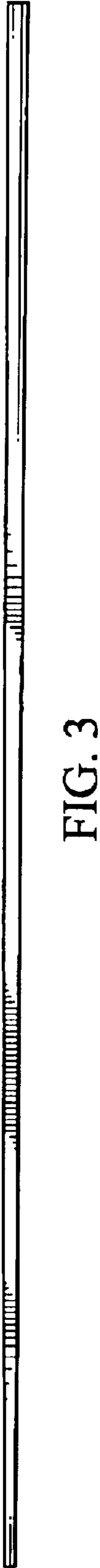
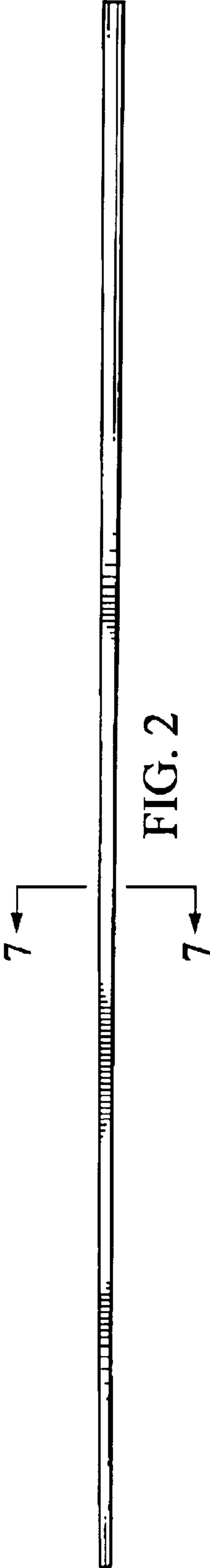


FIG. 1



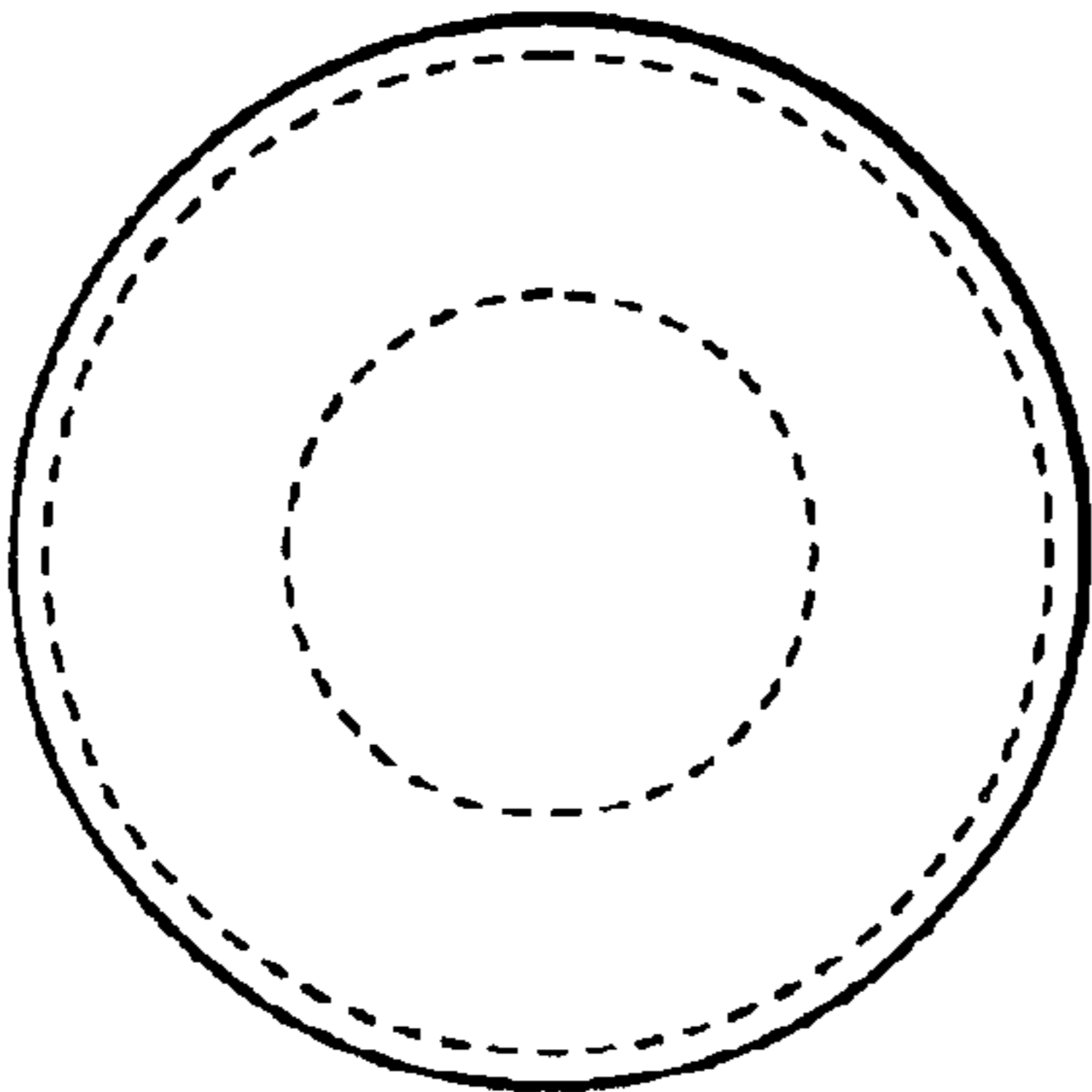


FIG. 6

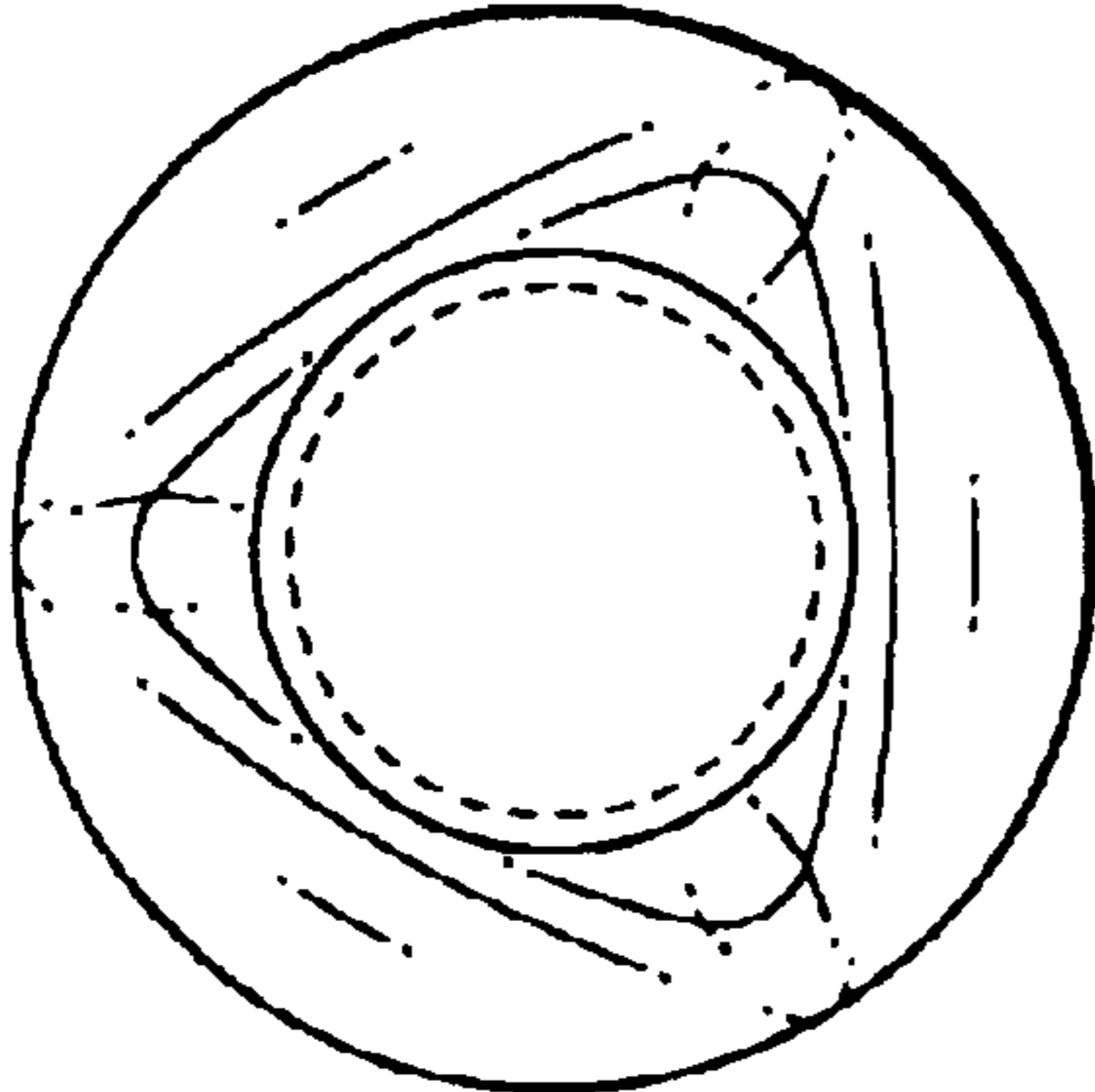


FIG. 5

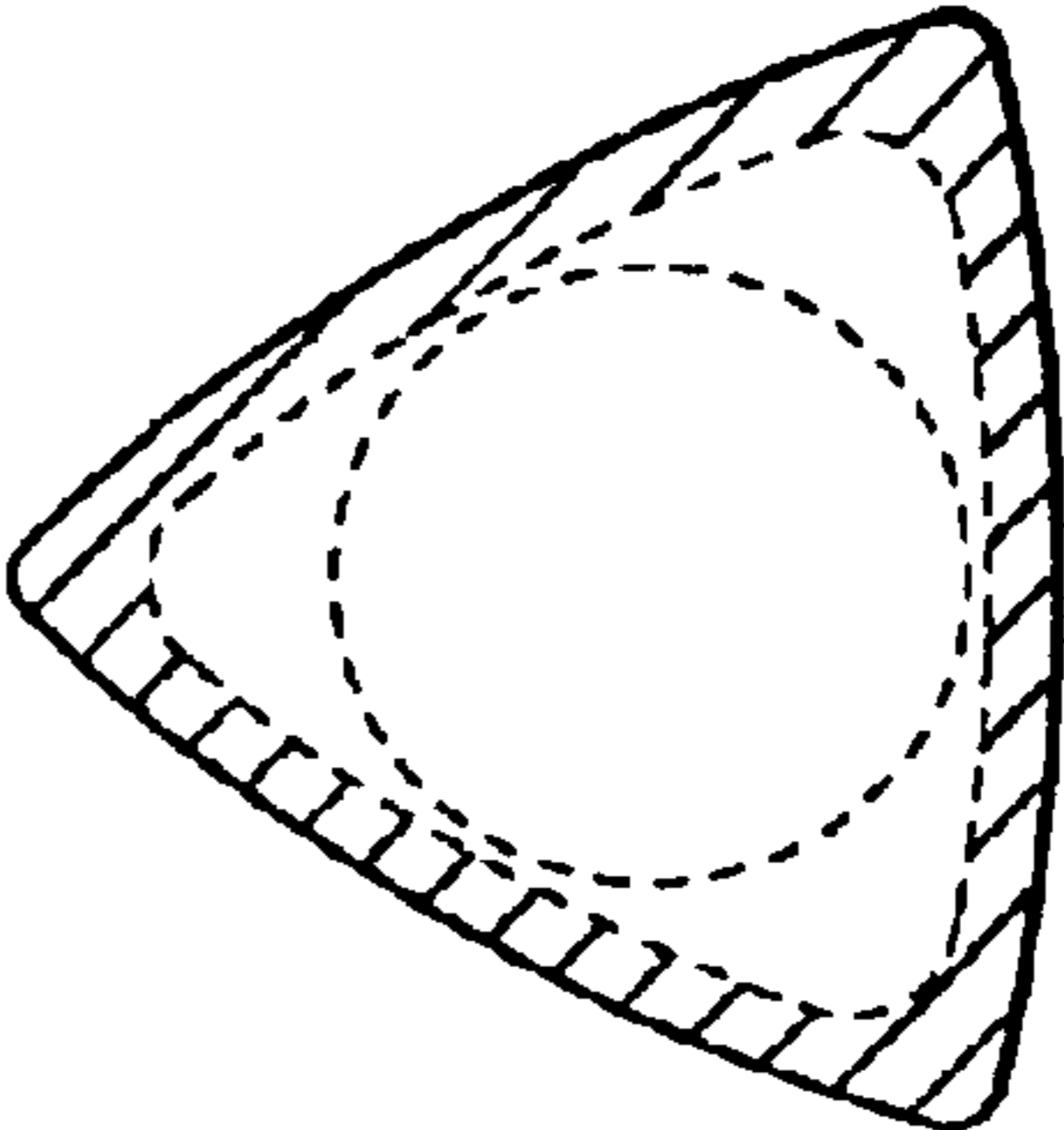


FIG. 7

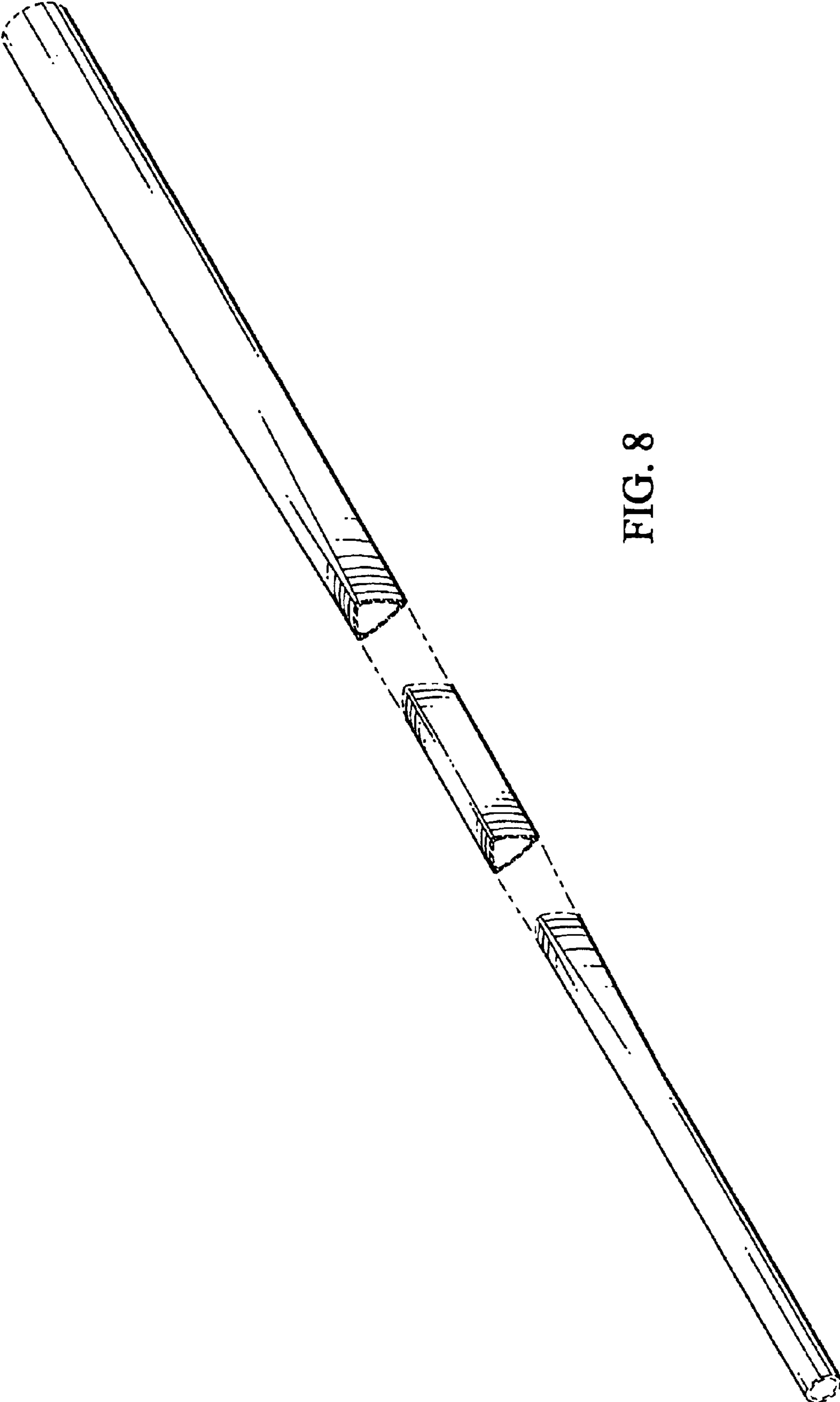


FIG. 8