

US00D505985S

(12) **United States Design Patent**
Carbonero

(10) **Patent No.:** **US D505,985 S**
(45) **Date of Patent:** **** Jun. 7, 2005**

(54) **BALANCE BOARD TOY**

(75) Inventor: **Kurt K. Carbonero**, Rochester, MI
(US)

(73) Assignee: **Pull-Buoy, Inc.**, Sterling Heights, MI
(US)

(**) Term: **14 Years**

(21) Appl. No.: **29/196,850**

(22) Filed: **Jan. 6, 2004**

(51) **LOC (8) Cl.** **21-02**

(52) **U.S. Cl.** **D21/688; D21/671**

(58) **Field of Search** **D21/662, 688,**
D21/670, 689, 399, 419; 482/79, 80, 147,
148; D6/349

(56) **References Cited**

U.S. PATENT DOCUMENTS

D261,909 S	*	11/1981	Heatwole	D21/688
D264,987 S	*	6/1982	Wise	D21/688
D276,062 S	*	10/1984	Dennis	D21/688
D281,343 S	*	11/1985	Krive	D21/670
4,629,181 A	*	12/1986	Krive	482/71
D306,049 S	*	2/1990	Bancroft	D21/688
5,197,932 A	*	3/1993	Smith, IV	482/79
5,547,447 A	*	8/1996	Liang	482/146
D390,020 S	*	2/1998	Huang	D6/349
5,897,474 A	*	4/1999	Romero	482/146
D418,563 S	*	1/2000	Hwang	D21/688
6,413,197 B2	*	7/2002	McKechnie et al.	482/146
6,447,429 B1	*	9/2002	Chen et al.	482/79

OTHER PUBLICATIONS

Gym Closet, 2000, p. 56 and 57, Sterling Heights, Michigan, submitted in color.

* cited by examiner

Primary Examiner—Philip S. Hyder

(74) *Attorney, Agent, or Firm*—Reising, Ethington, Barnes, Kisselle, P.C.

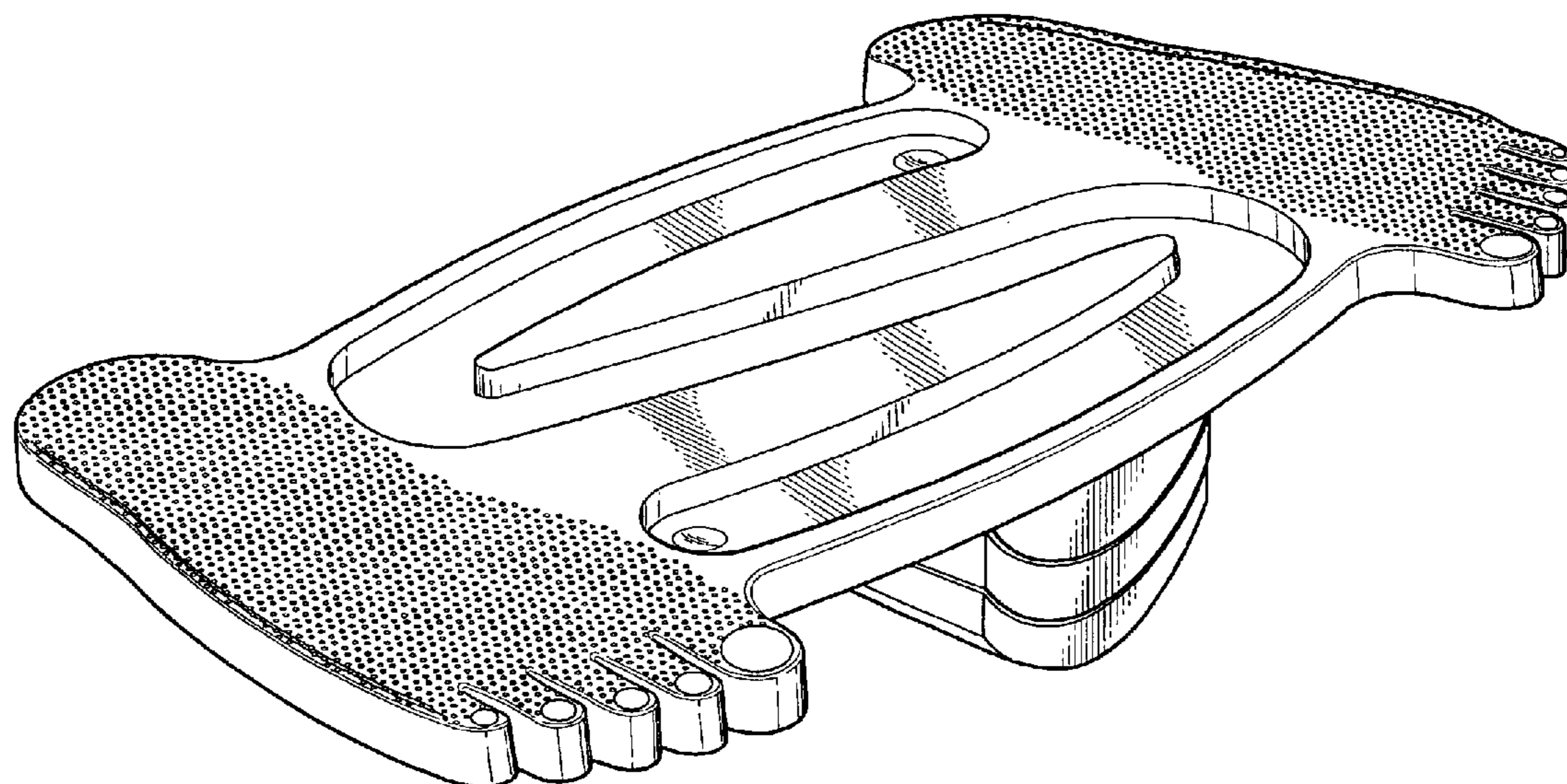
(57) **CLAIM**

The ornamental design for a balance board toy, as shown and described.

DESCRIPTION

FIG. 1 is a top perspective view of a balance board toy showing my new design;
 FIG. 2 is a top view of the balance board toy;
 FIG. 3 is a bottom view of the balance board toy;
 FIG. 4 is a bottom view of the balance board toy, wherein the two rocker attachments are omitted;
 FIG. 5 is a front view of the balance board toy;
 FIG. 6 is a front view of the balance board toy, wherein one of the two attachments is omitted;
 FIG. 7 is a front view of the balance board toy, wherein the two rocker attachments are omitted;
 FIG. 8 is a rear view of the balance board toy;
 FIG. 9 is a side view of the balance board toy; and,
 FIG. 10 is an exploded bottom perspective view of the balance board toy.

1 Claim, 7 Drawing Sheets



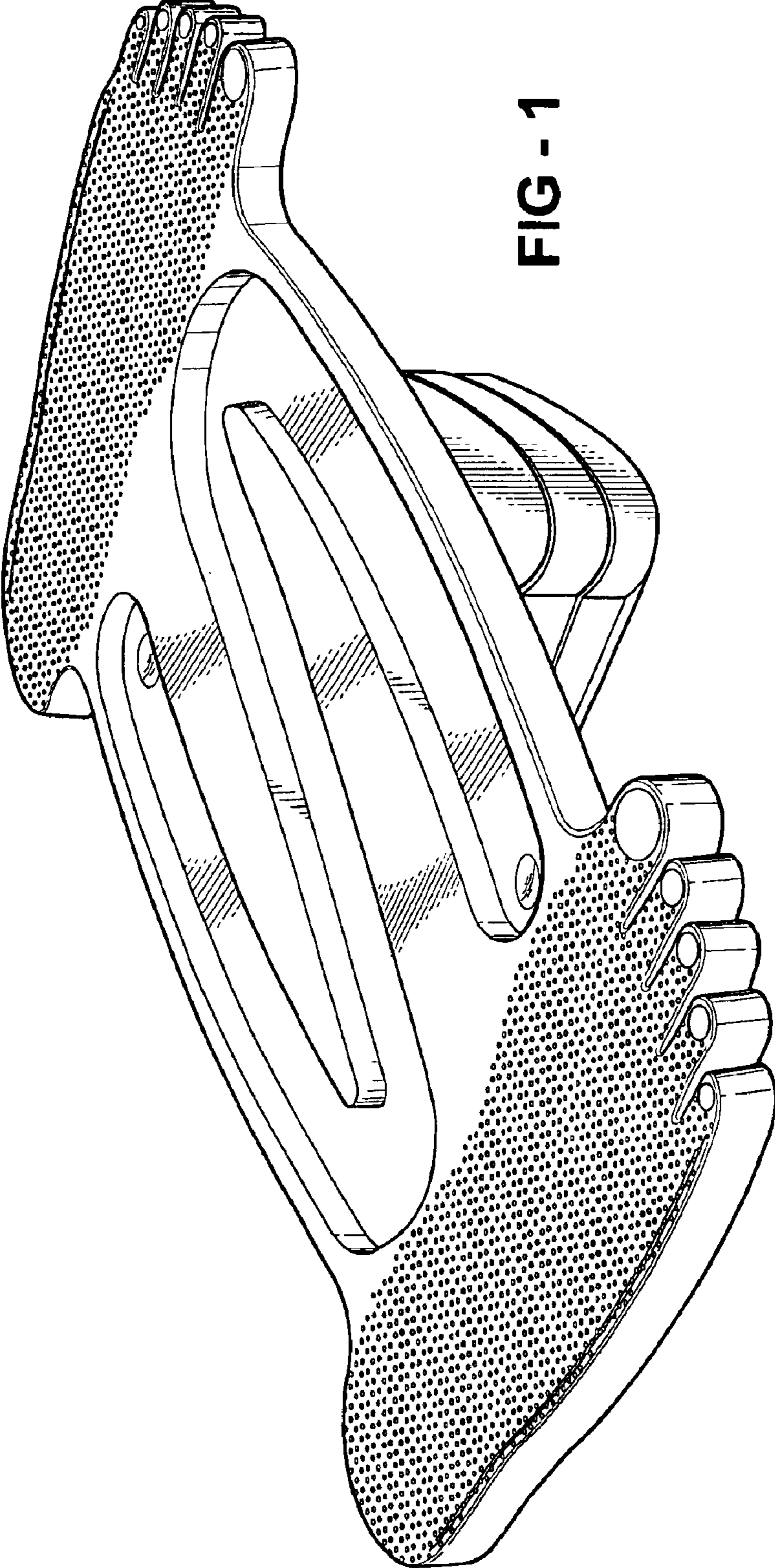


FIG - 1

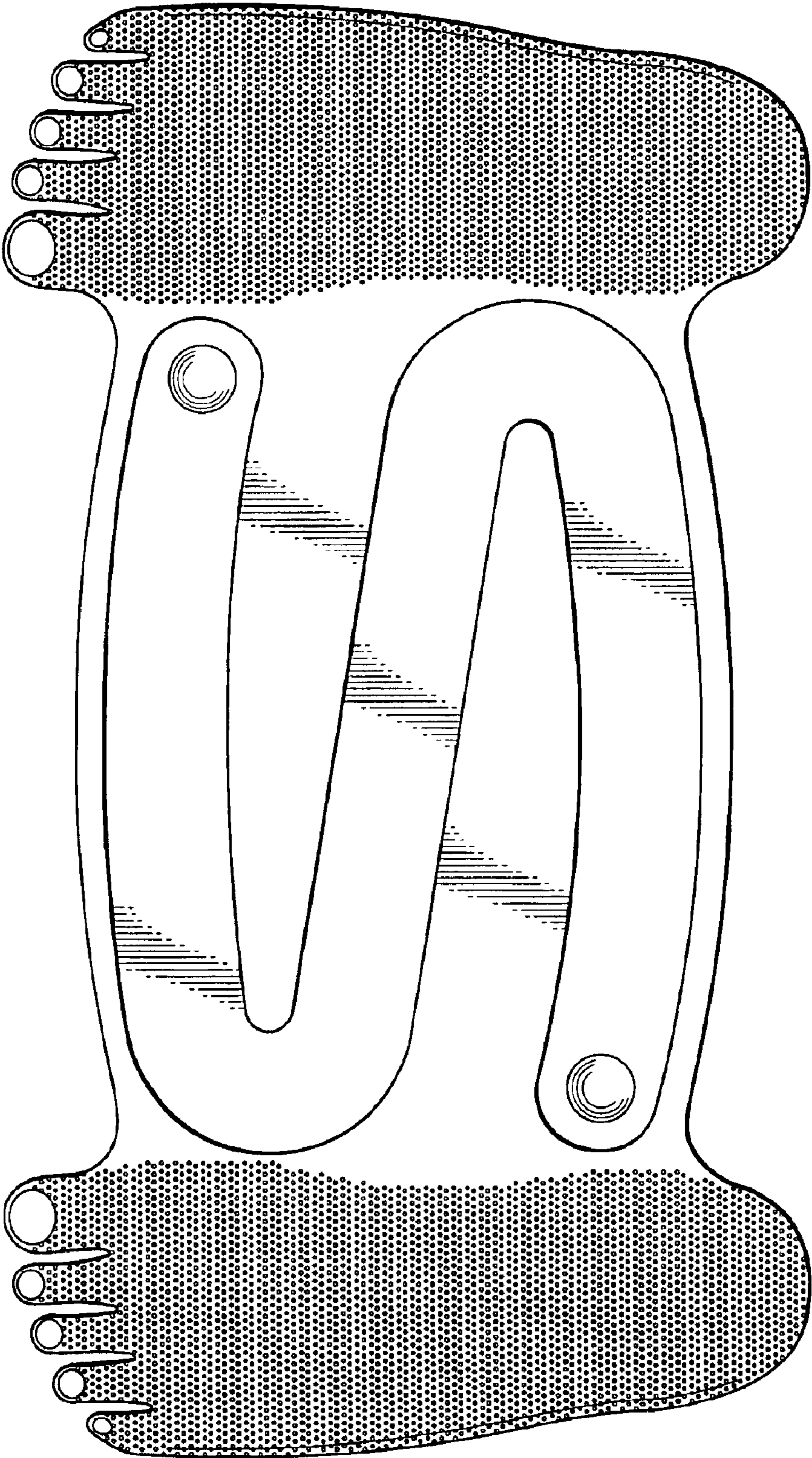


FIG - 2

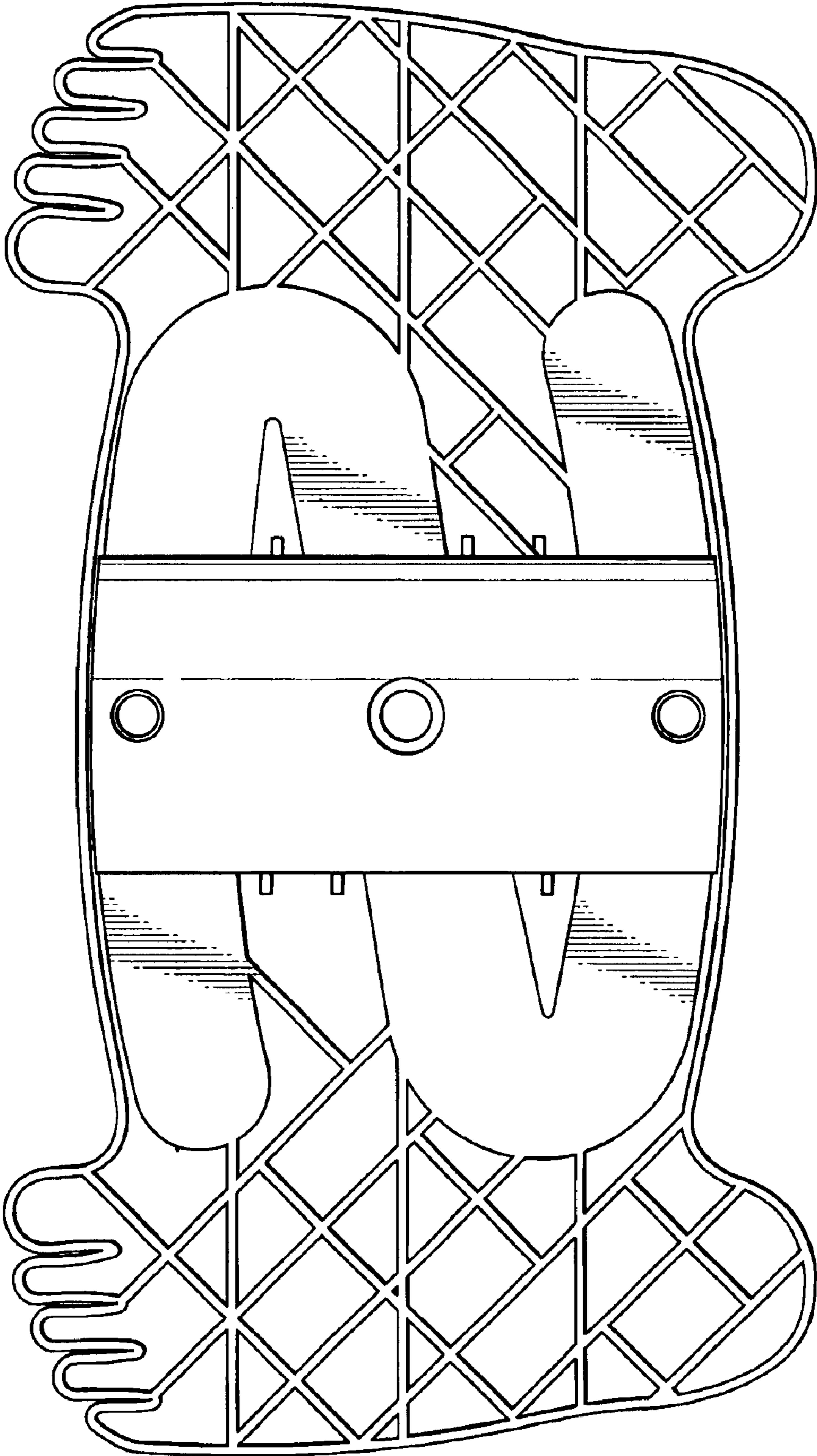


FIG - 3

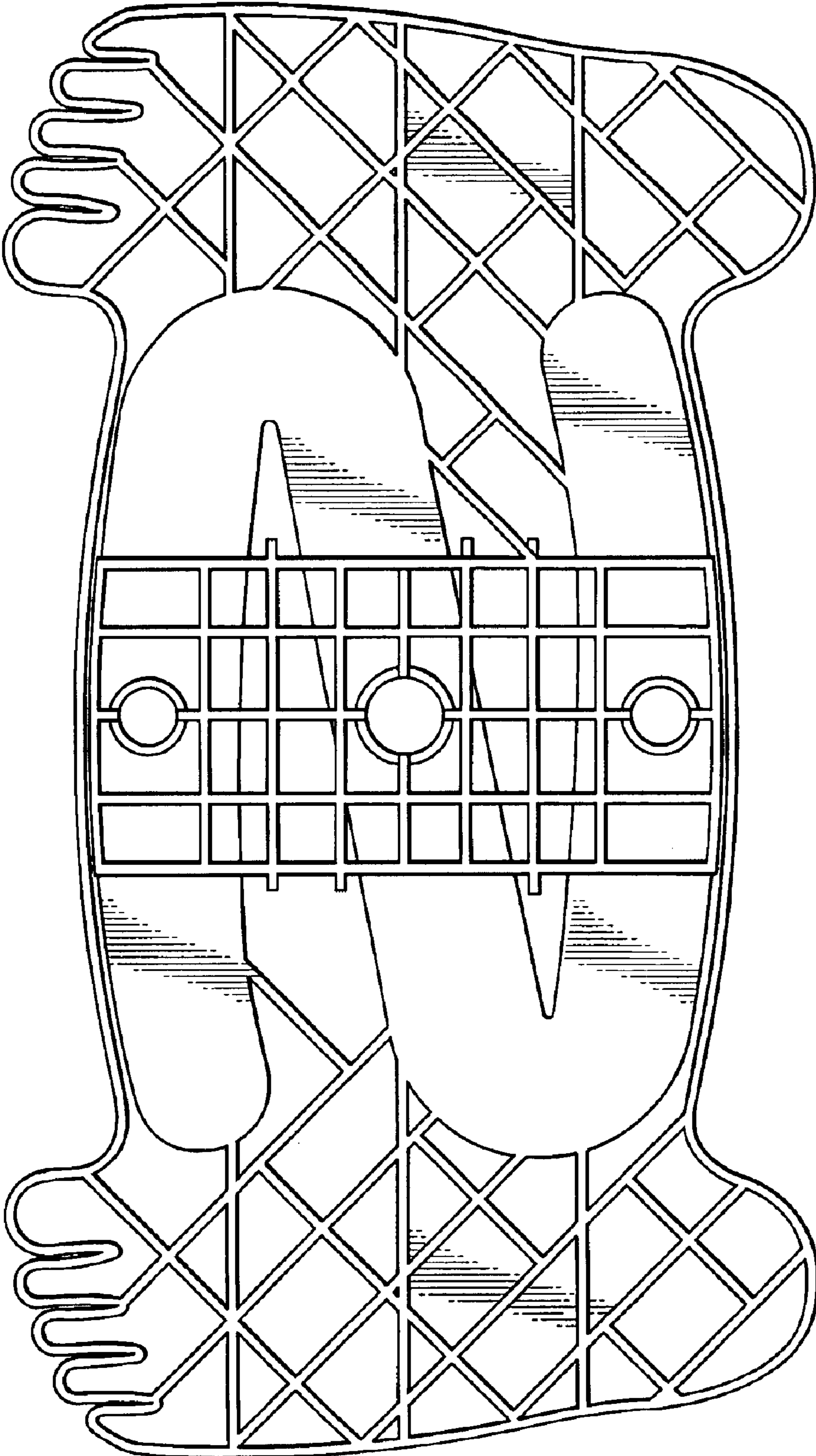
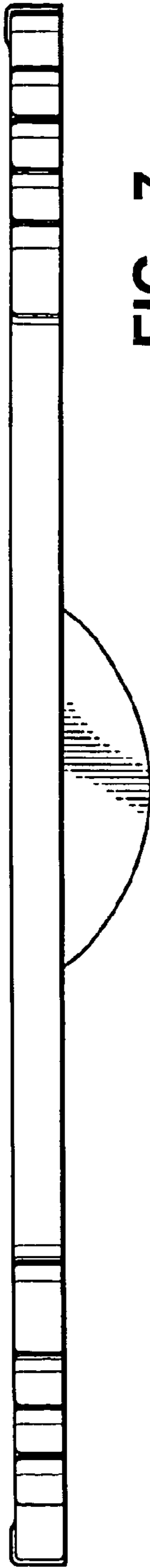
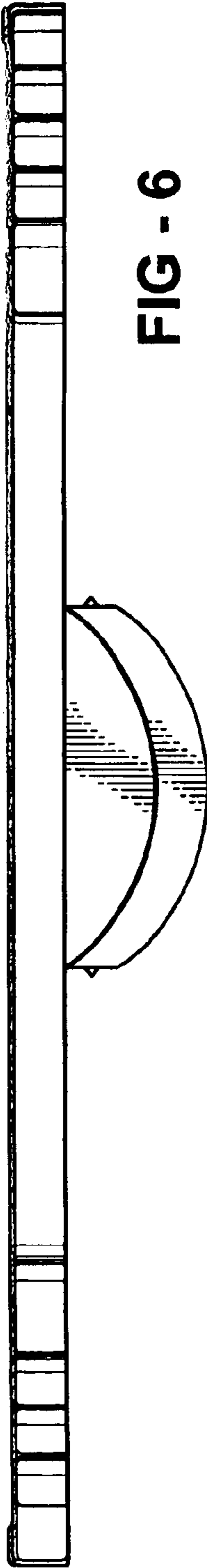
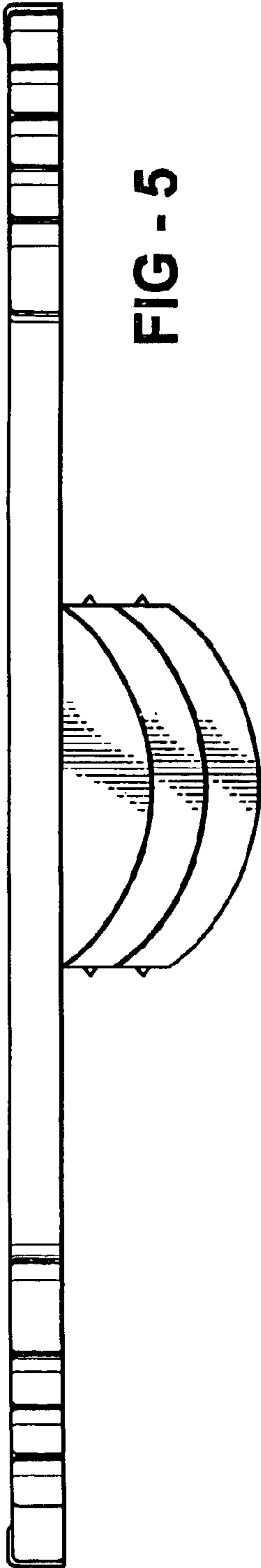
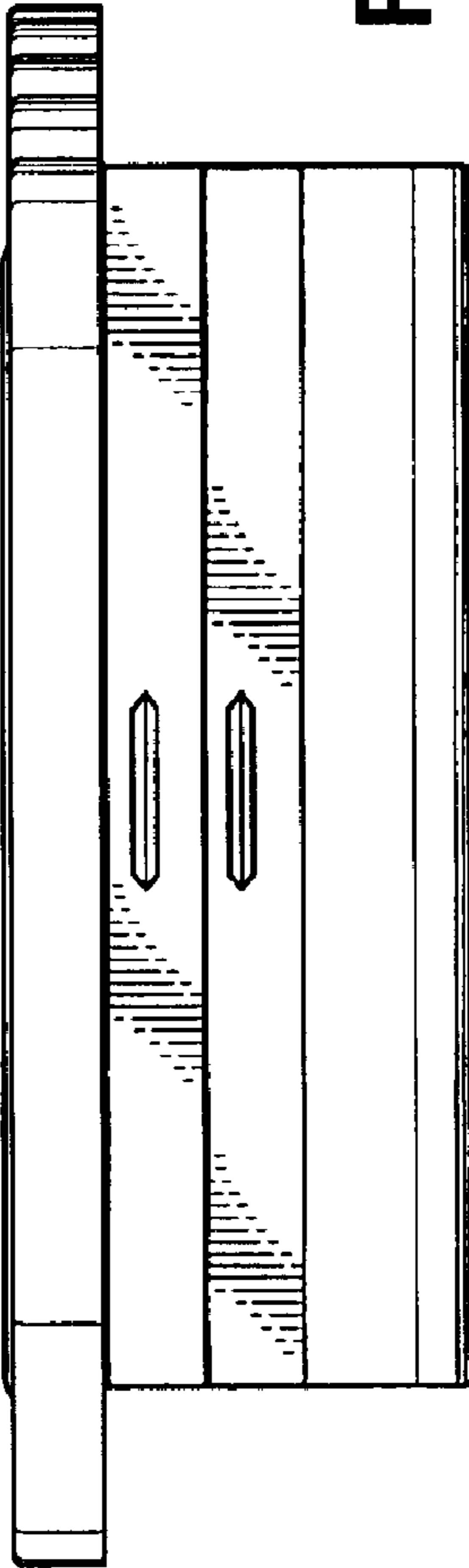
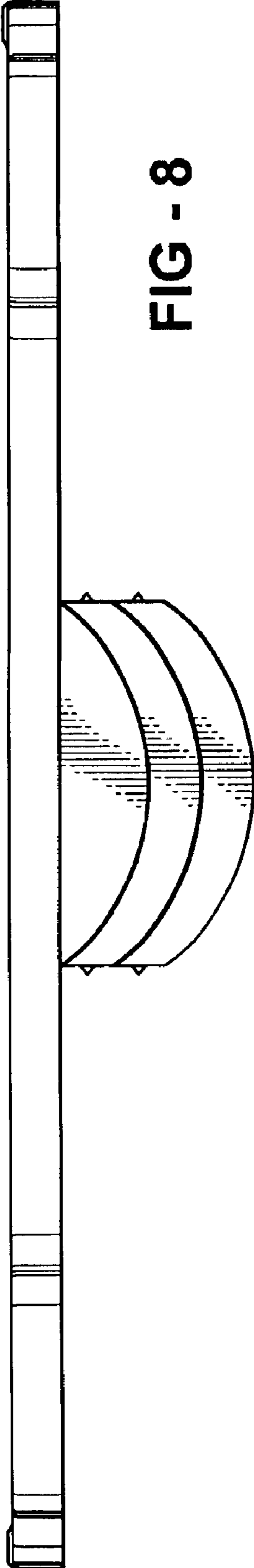


FIG - 4





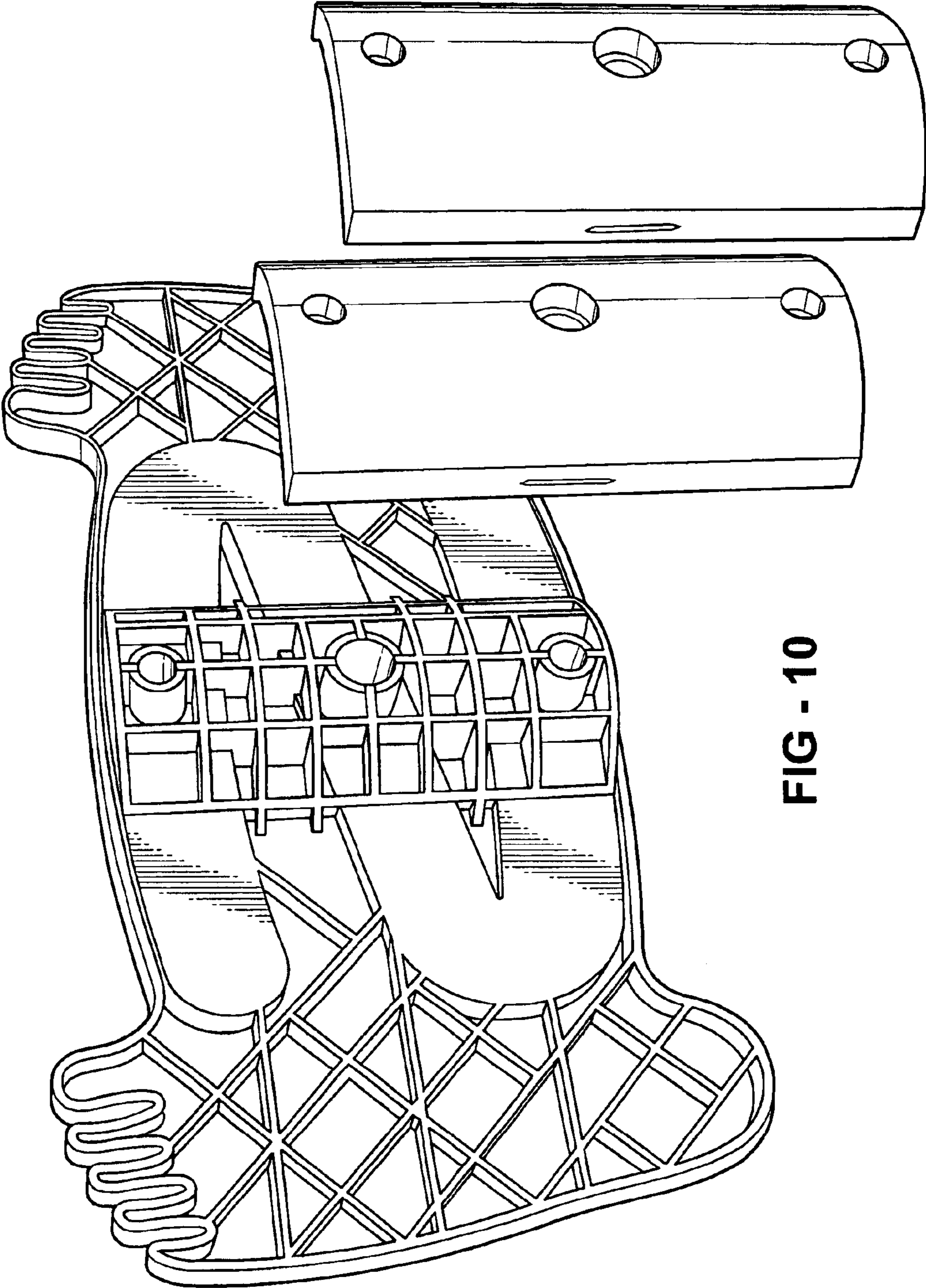


FIG - 10