

US00D505984S

(12) **United States Design Patent**  
**Robinson**

(10) **Patent No.:** **US D505,984 S**

(45) **Date of Patent:** **\*\* Jun. 7, 2005**

(54) **TOY FIGURE**

D450,788 S \* 11/2001 Kawasaki ..... D21/578  
D464,382 S \* 10/2002 Hornsby et al. .... D21/578

(76) **Inventor:** **Dyke N. Robinson**, 3710 Havenmoor  
Pl., Katy, TX (US) 77449

**OTHER PUBLICATIONS**

(\*\*) **Term:** **14 Years**

Chiasso Catalog, Summer, 2001, p. 30, "Intellibot" robot.\*  
Hong Kong Toys, 1987, p. 98, Robots.\*  
FAO Schwarz, Holiday, 2001, p. 65, "The Bot-ster" robot.\*  
FAO Schwarz, Holiday, 2001, p. 67, item "F", robot.\*

(21) **Appl. No.:** **29/171,236**

(22) **Filed:** **Nov. 18, 2002**

\* cited by examiner

(51) **LOC (8) Cl.** ..... **21-01**

*Primary Examiner*—Lucy Lieberman

(52) **U.S. Cl.** ..... **D21/578**

(74) *Attorney, Agent, or Firm*—Russell J. Egan

(58) **Field of Search** ..... D21/578, 579–584,  
D21/593, 594, 621, 622, 623, 627; 446/268,  
269–274, 289–292, 297–301, 279, 280;  
D15/199

(57) **CLAIM**

I claim the ornamental design for a toy figure, as shown and described.

(56) **References Cited**

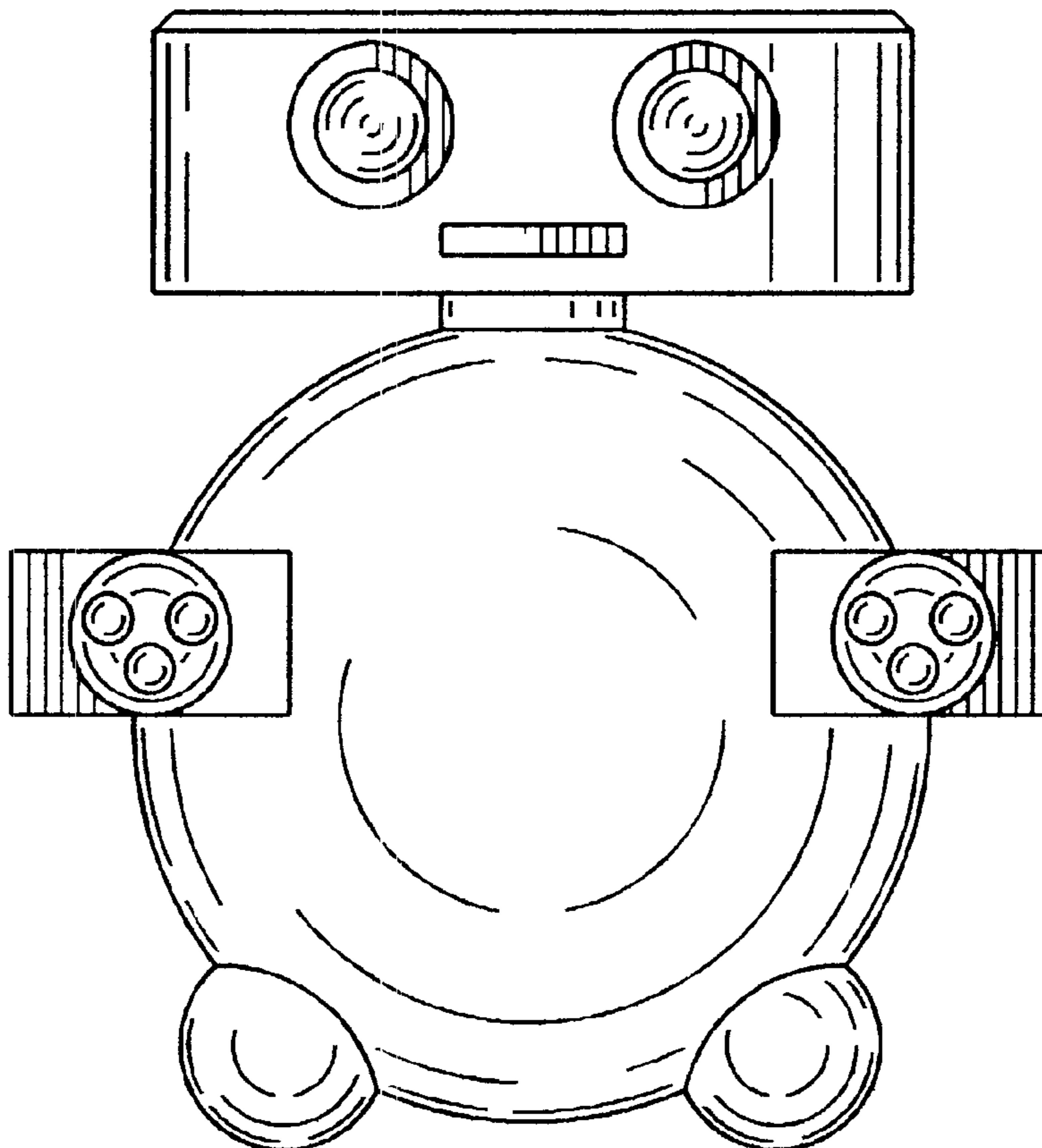
**DESCRIPTION**

**U.S. PATENT DOCUMENTS**

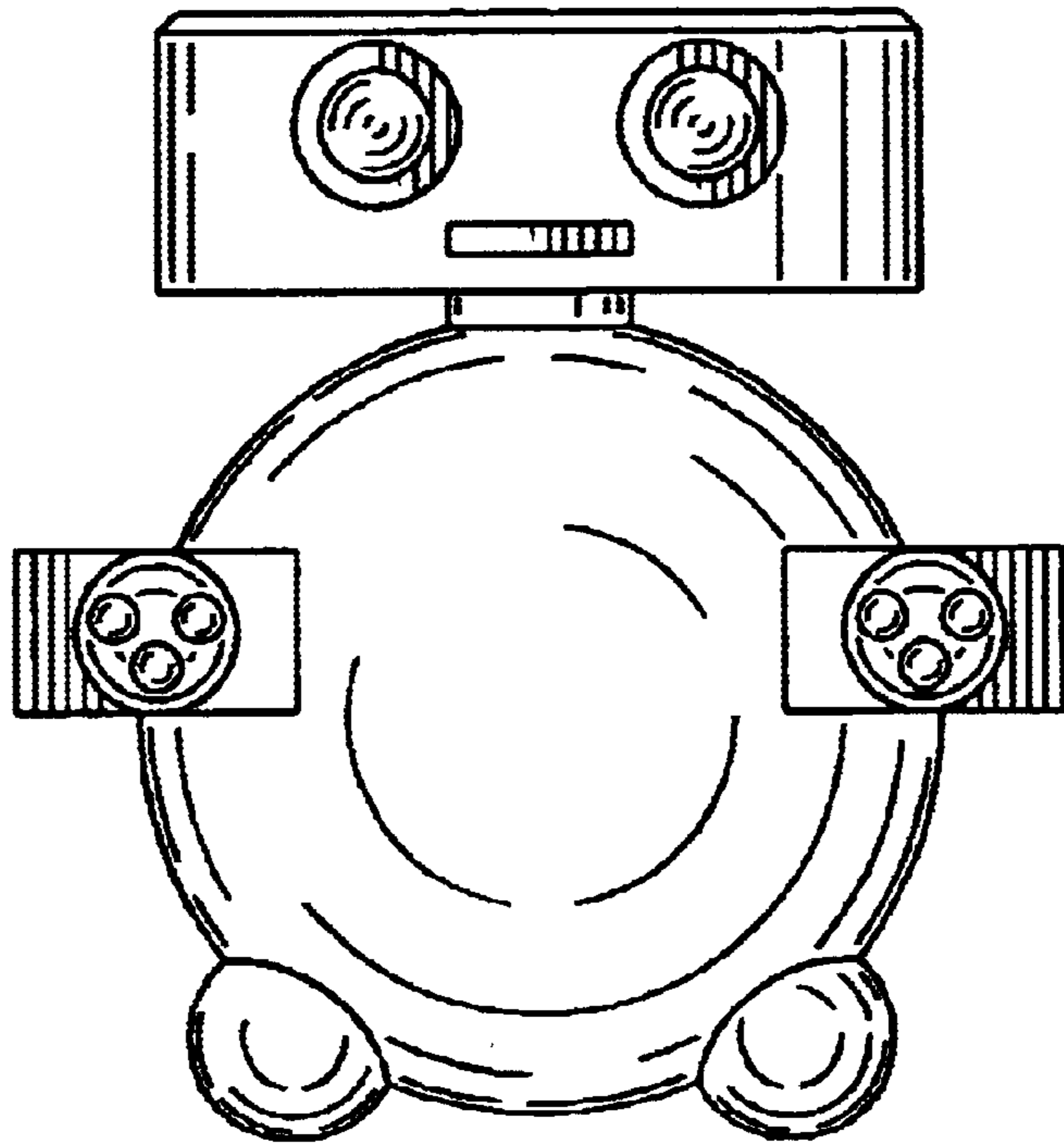
3,579,901	A	*	5/1971	Perhacs, Jr.	.....	446/289
D290,032	S	*	5/1987	Horiuchi	.....	D21/578
D290,146	S	*	6/1987	Horiuchi	.....	D21/578
4,673,371	A	*	6/1987	Furukawa	.....	446/175
D293,345	S	*	12/1987	Takizawa	.....	D21/578
4,752,272	A	*	6/1988	Karasawa	.....	446/289
D304,962	S	*	12/1989	Watanabe	.....	D21/578

FIG. 1 is a front view;  
FIG. 2 is a rear view;  
FIG. 3 is a right side view;  
FIG. 4 is a left side view;  
FIG. 5 is a top view; and,  
FIG. 6 is a bottom view.

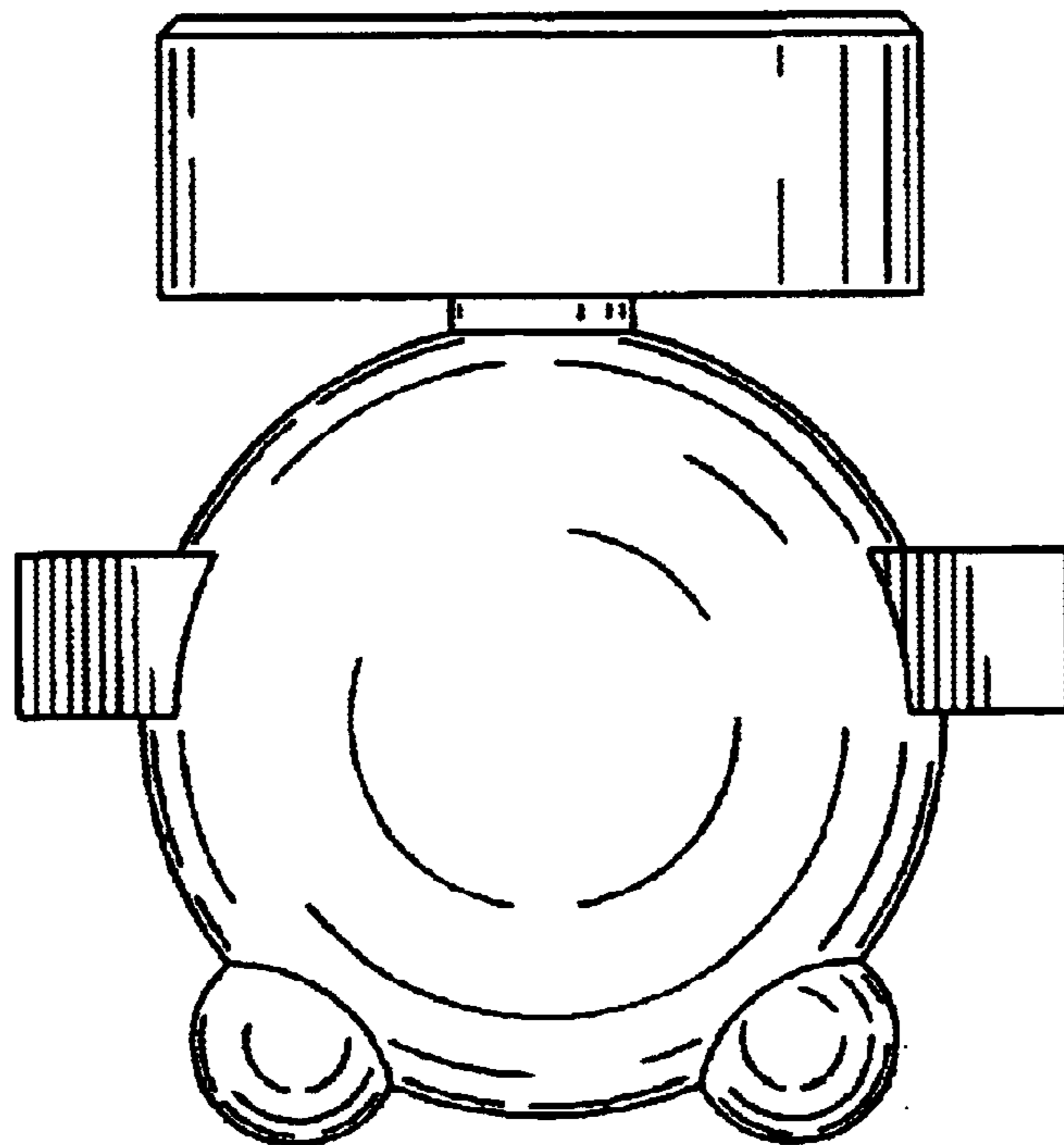
**1 Claim, 3 Drawing Sheets**



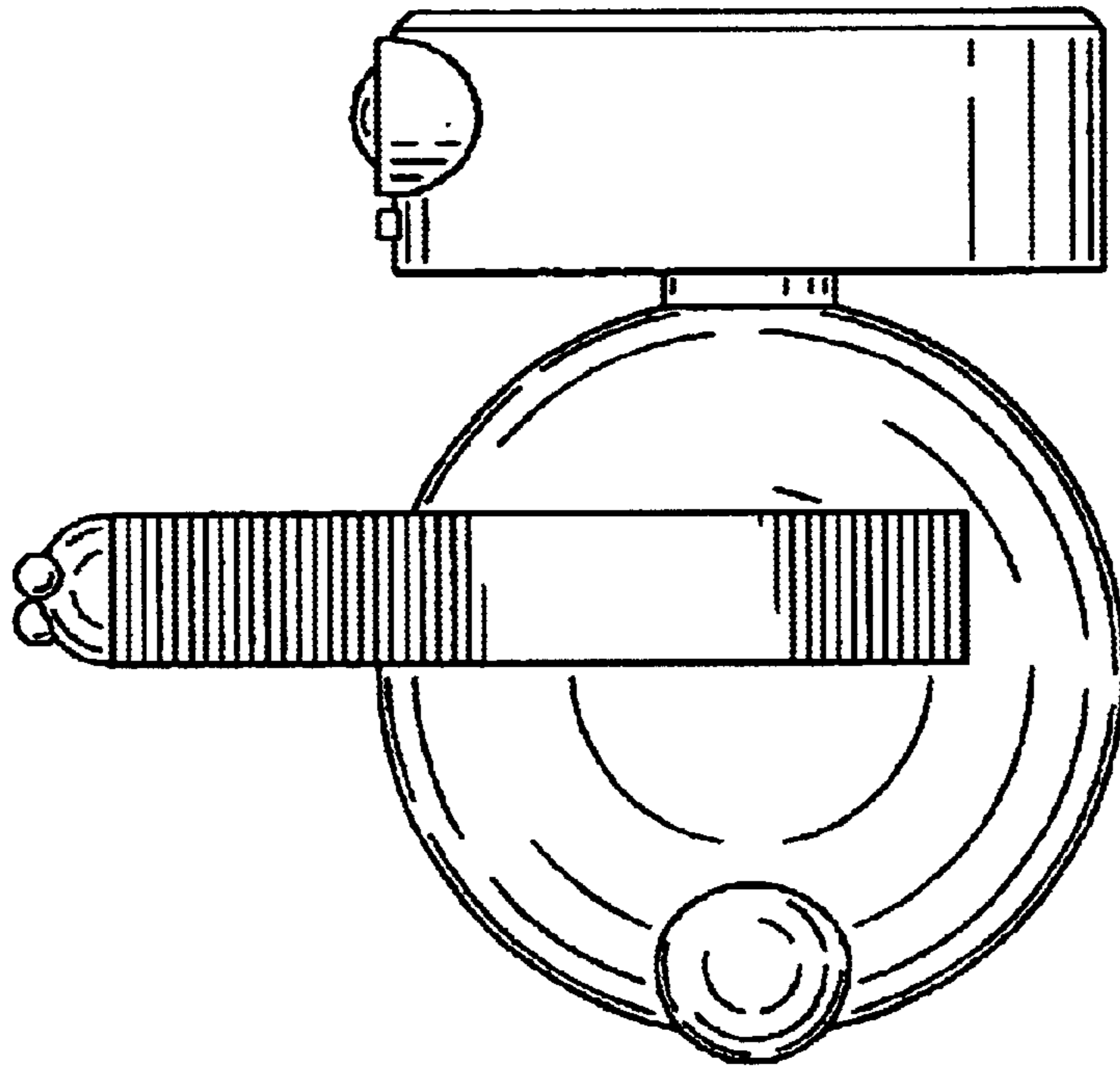
**FIG. 1**



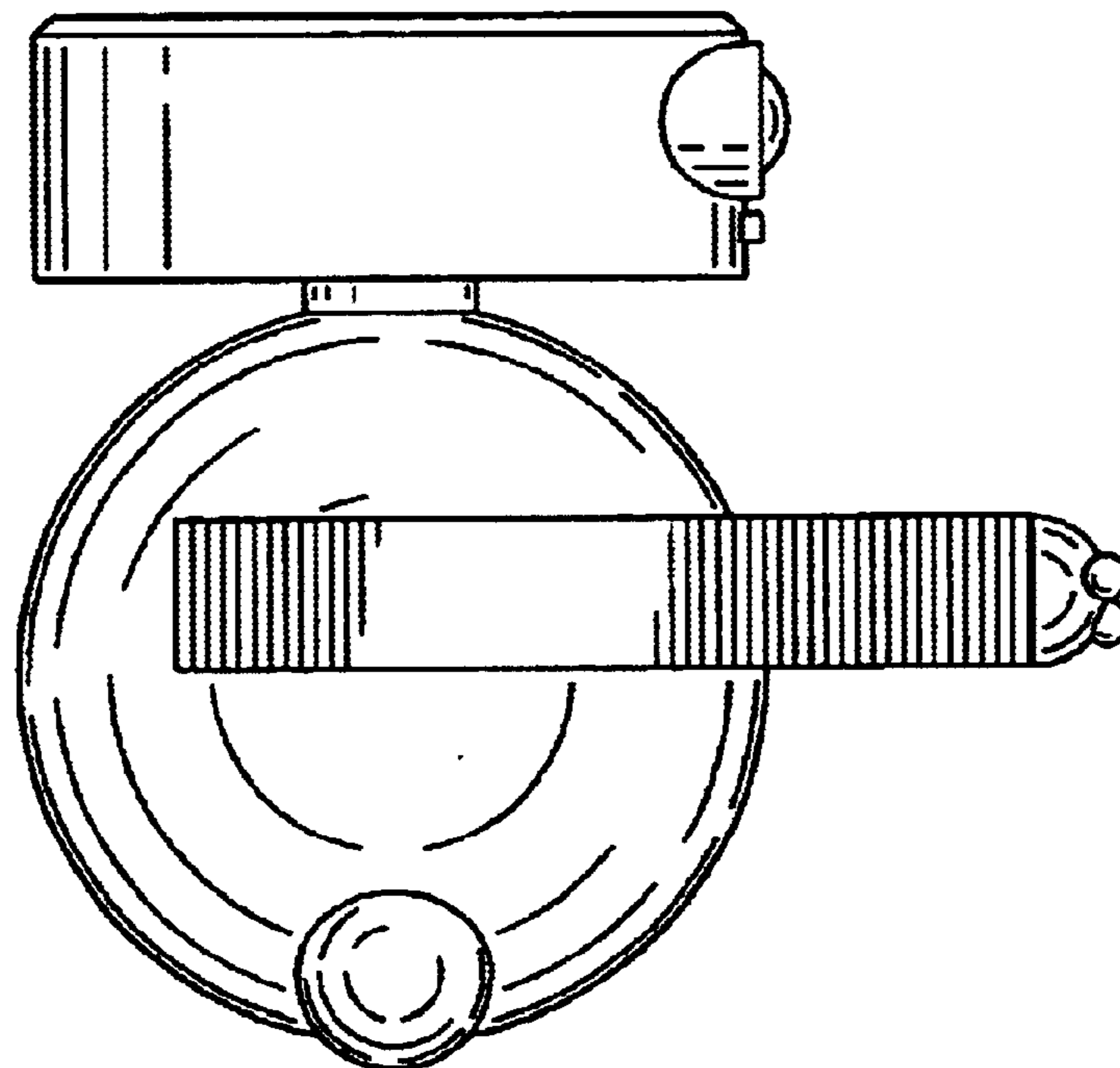
**FIG. 2**



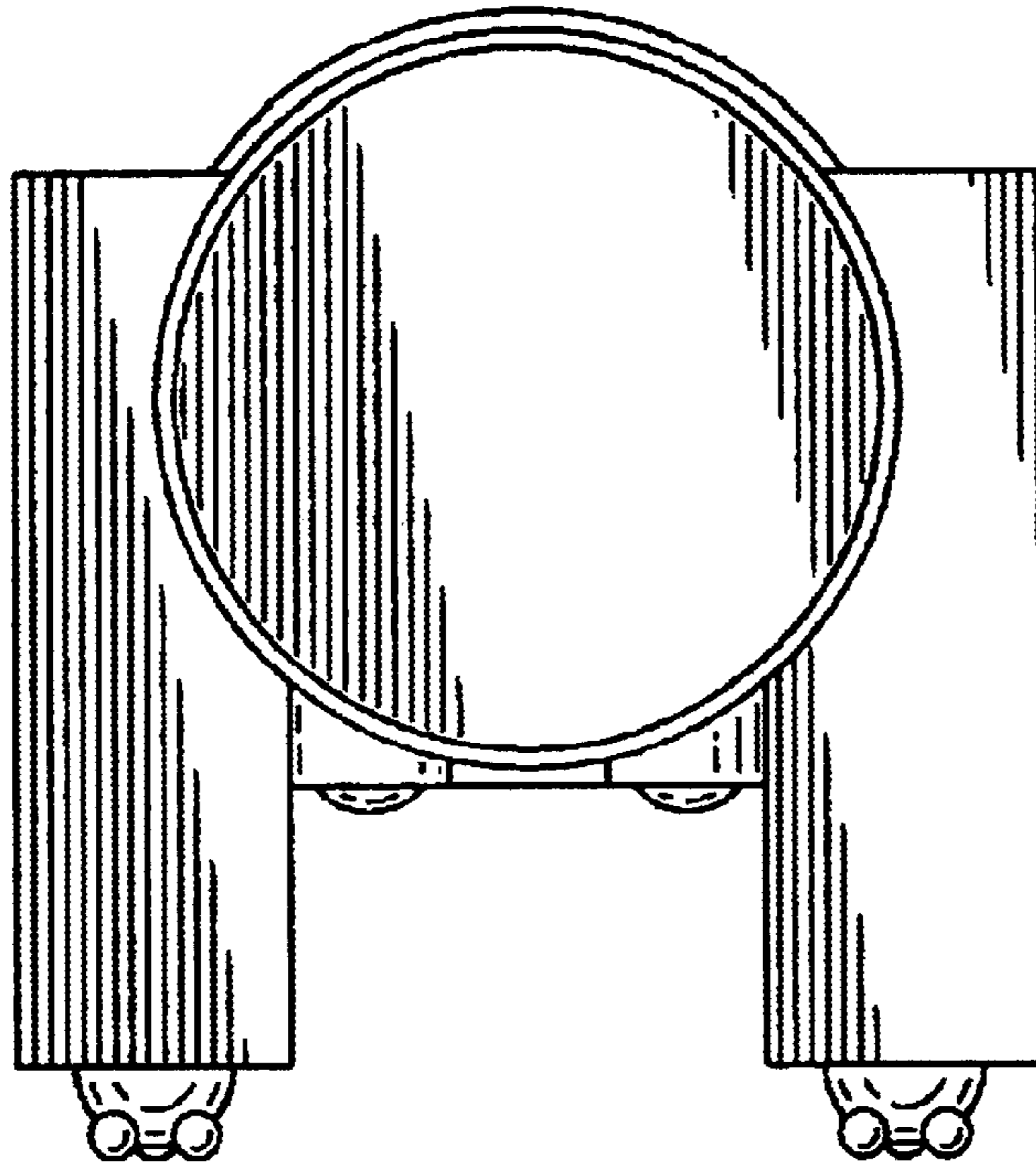
**FIG. 3**



**FIG. 4**



**FIG. 5**



**FIG. 6**

