



US00D505971S

(12) **United States Design Patent**
Short et al.

(10) **Patent No.: US D505,971 S**
(45) **Date of Patent: ** Jun. 7, 2005**

(54) **MEDIA SLOT PANEL**

(75) Inventors: **D. Bradley Short**, San Diego, CA
(US); **Darren W. Wilcox**, San Diego,
CA (US); **Raymond Kuo-Sheng Lee**,
San Diego, CA (US)

(73) Assignee: **Hewlett-Packard Development
Company, L.P.**, Houston, TX (US)

(**) Term: **14 Years**

(21) Appl. No.: **29/161,214**

(22) Filed: **May 22, 2002**

(51) **LOC (8) Cl.** **18-02**

(52) **U.S. Cl.** **D18/50**

(58) **Field of Search** D18/36-39, 50,
D18/54-55; D14/462-470; 400/613, 613.1-613.4,
691-694, 690.1-690.4, 300-302, 308, 348,
363, 370

(56) **References Cited**

U.S. PATENT DOCUMENTS

D386,752 S * 11/1997 Han D14/348
D412,889 S * 8/1999 Brunner D14/348
D413,873 S * 9/1999 Daly et al. D14/348

D415,120 S * 10/1999 Daly et al. D14/348
D423,563 S * 4/2000 Collins et al. D18/55
D430,598 S * 9/2000 Gerstein et al. D18/55
D431,261 S * 9/2000 Haas et al. D18/50
D446,544 S * 8/2001 Platner et al. D18/50
D462,971 S * 9/2002 Leong et al. D14/463

OTHER PUBLICATIONS

Hewlett-Packard Company patent application; U.S. Appl. No. 29/159,887; titled, "Multifunction Inkjet Printer Mechanism"; filed on Apr. 30, 2002; Raymond Kuo-Sheng Lee et al.

* cited by examiner

Primary Examiner—Cathy Anne MacCormac

(57) **CLAIM**

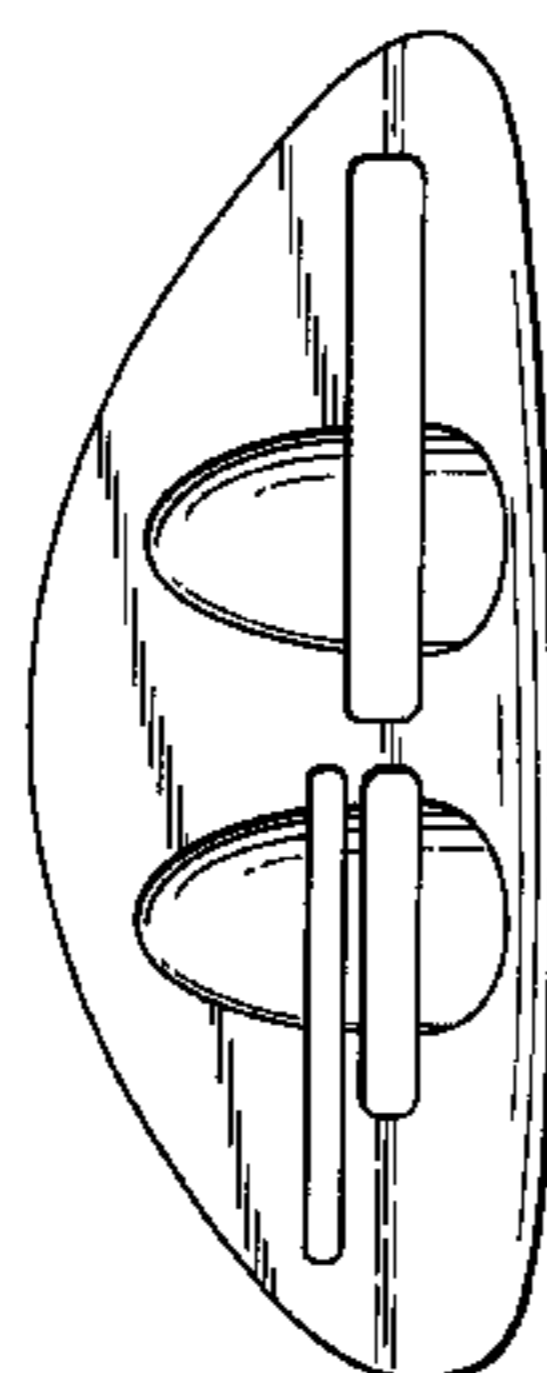
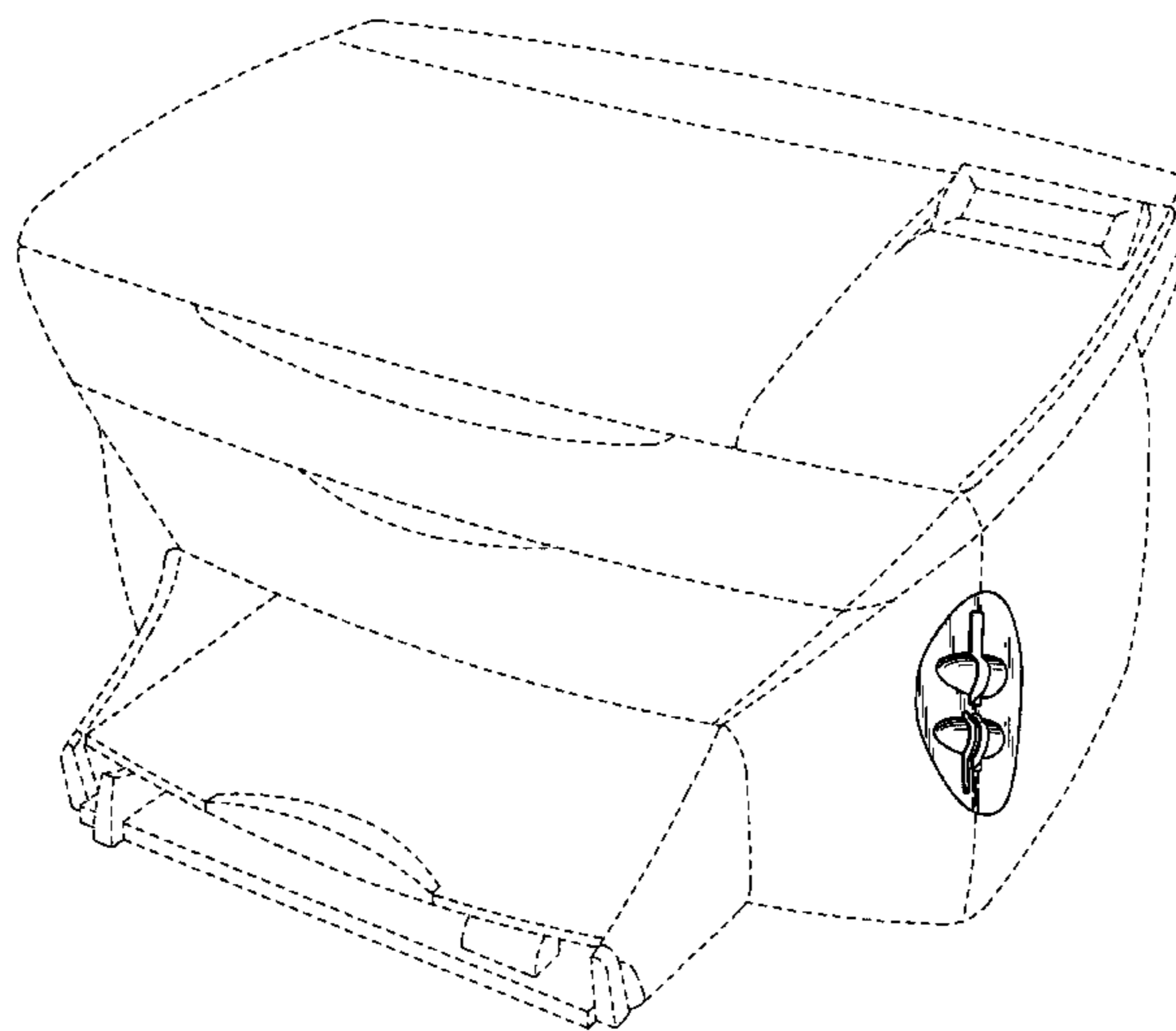
An ornamental design for a media slot panel, substantially as shown and described.

DESCRIPTION

FIG. 1 is a perspective view of a media slot panel; FIG. 2 is a front view thereof; and, FIG. 3 is a right side view thereof.

The broken lines are for illustrative purposes only and form no part of the claimed design.

1 Claim, 2 Drawing Sheets



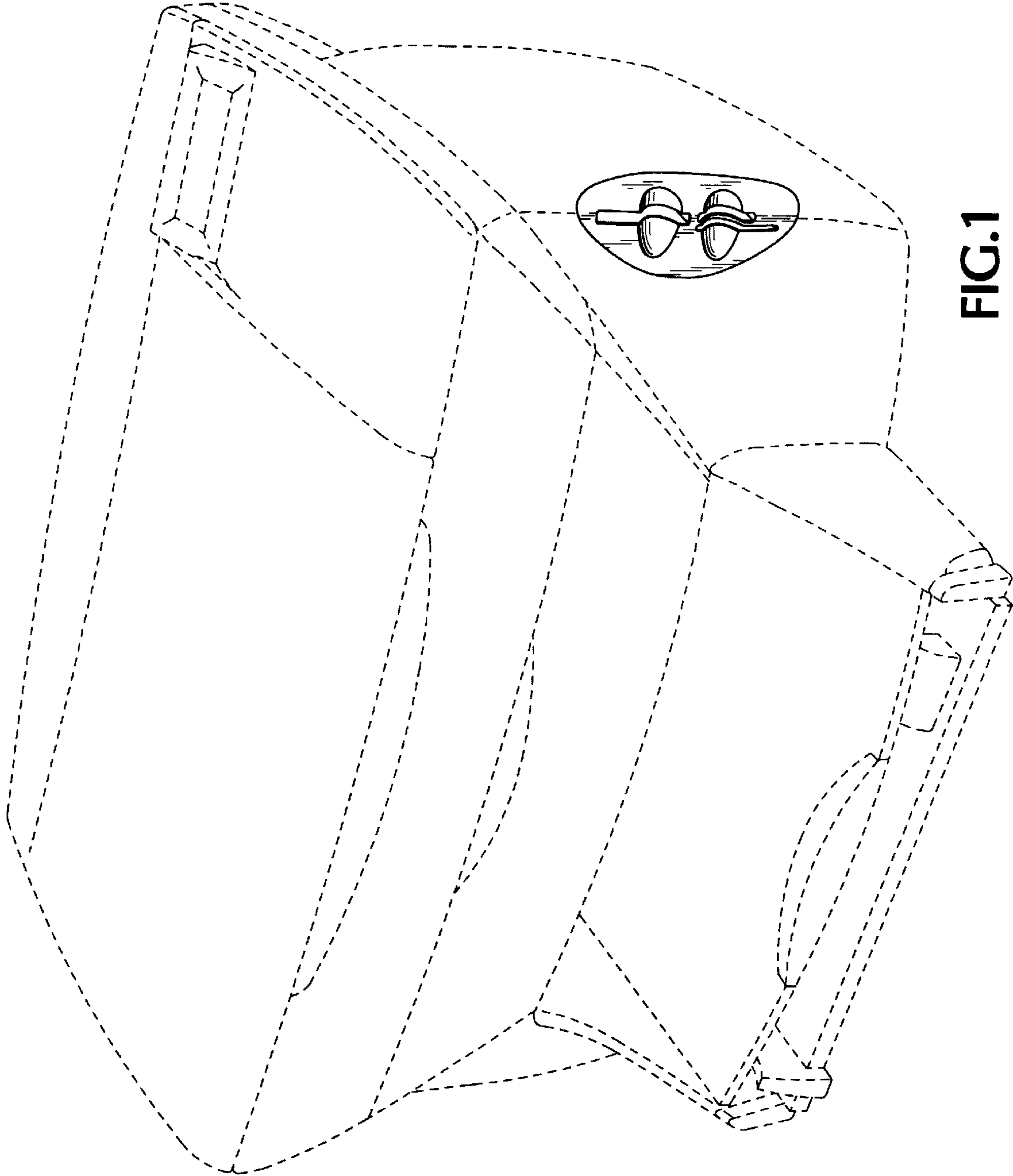


FIG.1

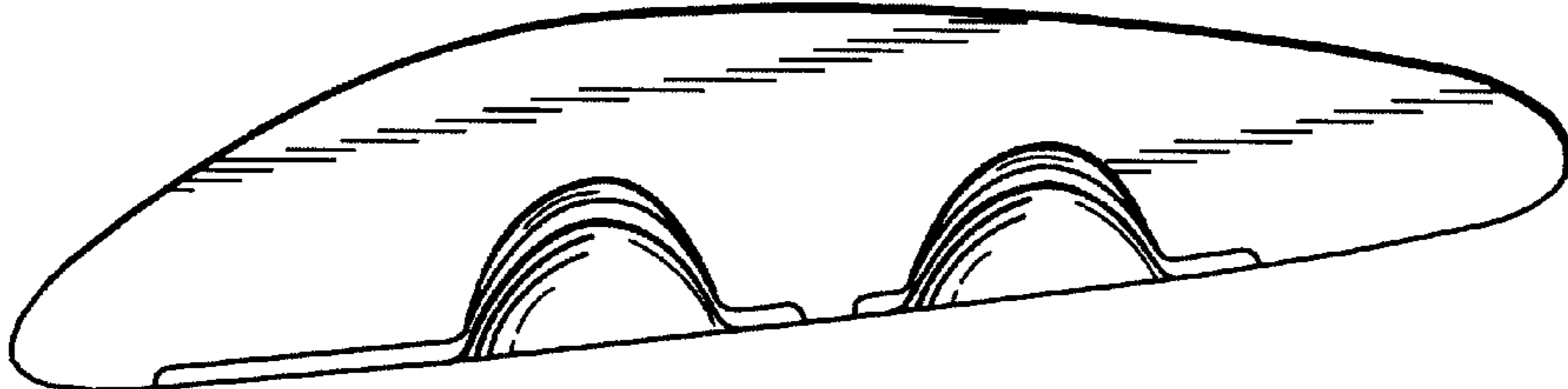


FIG.3

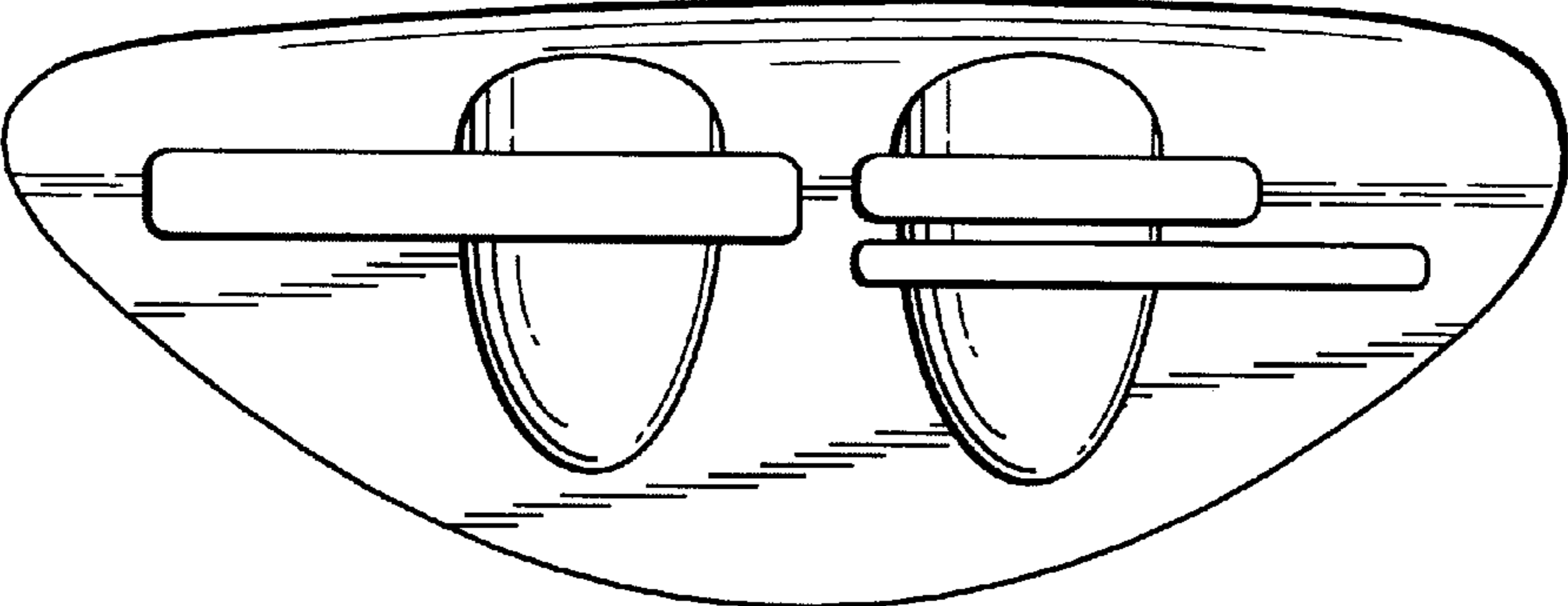


FIG.2