

US00D505968S

(12) **United States Design Patent**
Iwamoto et al.

(10) **Patent No.: US D505,968 S**
(45) **Date of Patent: ** Jun. 7, 2005**

(54) **VISUAL PRESENTATION SYSTEM**

(75) Inventors: **Masakazu Iwamoto**, Tokyo (JP); **Yuji Ohki**, Tokyo (JP); **Atsushi Shigemura**, Tokyo (JP); **Shuji Shibuki**, Mitaka (JP)

(73) Assignee: **Casio Keisanki Kabushiki Kaisha**, Tokyo (JP)

(**) Term: **14 Years**

(21) Appl. No.: **29/196,357**

(22) Filed: **Dec. 23, 2003**

(51) **LOC (8) Cl.** **16-02**

(52) **U.S. Cl.** **D16/229**

(58) **Field of Search** D16/221, 225,
D16/229, 232; 353/115, 119, 122, DIG. 3,
DIG. 4

(56) **References Cited**

U.S. PATENT DOCUMENTS

D305,904 S	*	2/1990	Matsumoto	D16/232
4,938,587 A	*	7/1990	Namioka et al.	353/119
D317,616 S	*	6/1991	Shiiba	D16/232
D330,040 S	*	10/1992	Watanabe et al.	D16/232
D388,811 S	*	1/1998	Sato	D16/232
5,868,484 A	*	2/1999	Chikauchi et al.	353/119

* cited by examiner

Primary Examiner—Adir Aronovich

(74) *Attorney, Agent, or Firm*—Frishauf, Holtz, Goodman & Chick, P.C.

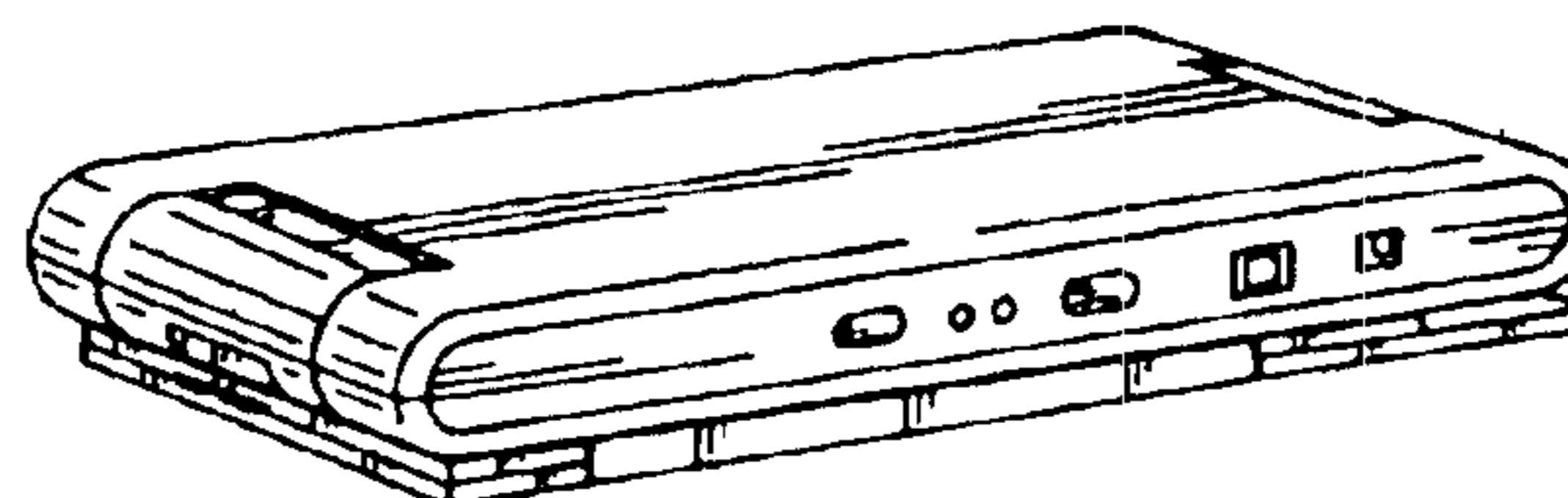
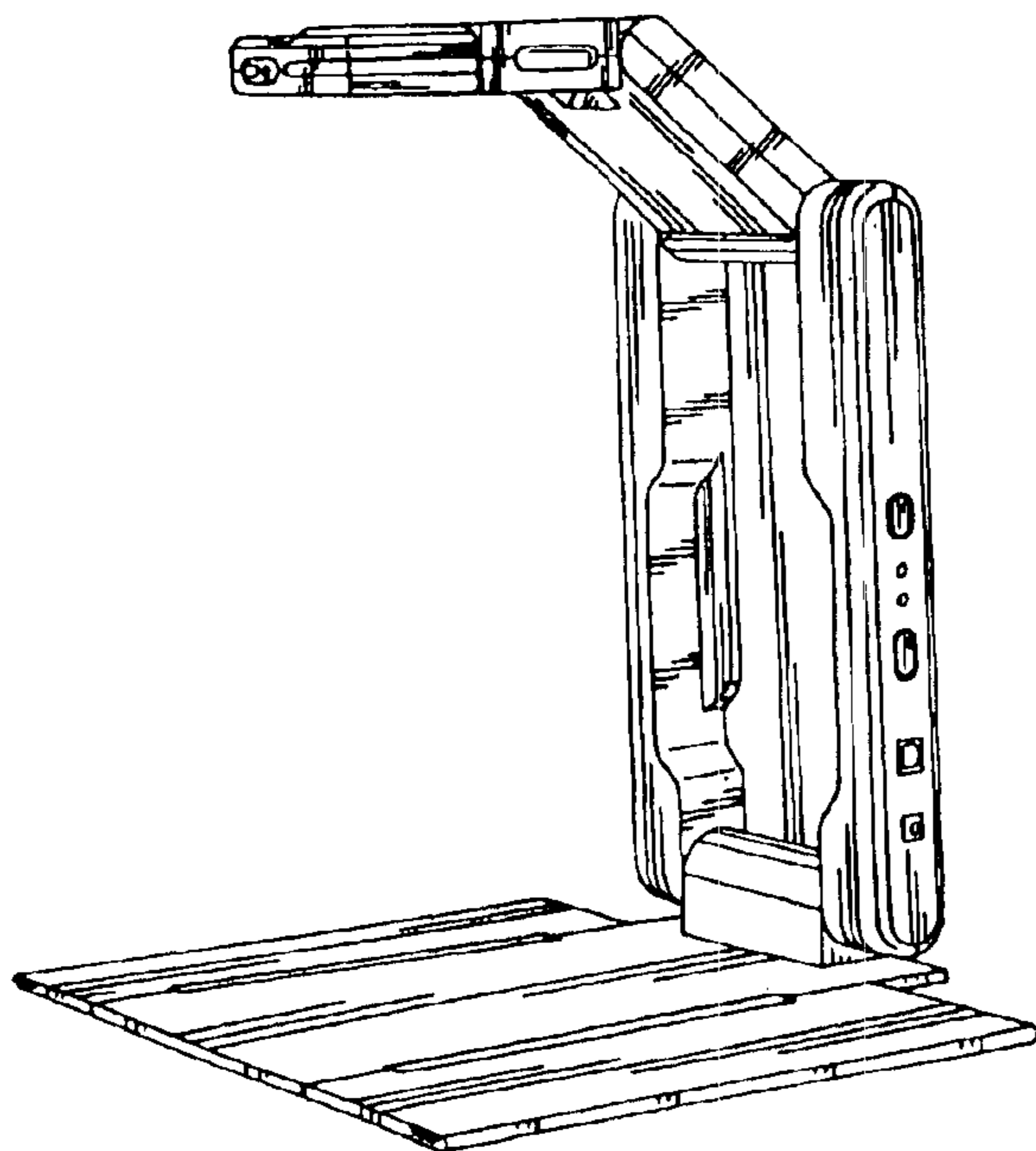
(57) **CLAIM**

The ornamental design for a visual presentation system, as shown and described.

DESCRIPTION

FIG. 1 is a reduced front, right, top side perspective view of a visual presentation system showing our new design;
 FIG. 2 is a front elevational view thereof;
 FIG. 3 is a rear elevational view thereof;
 FIG. 4 is a left side view thereof;
 FIG. 5 is a right side view thereof;
 FIG. 6 is a top plan view thereof;
 FIG. 7 is a bottom plan view thereof;
 FIG. 8 is a reduced front, right, top side perspective view in the closed state thereof;
 FIG. 9 is a front elevational view in the closed state thereof;
 FIG. 10 is a rear elevational view in the closed state thereof;
 FIG. 11 is a left side view in the closed state thereof;
 FIG. 12 is a right side view in the closed state thereof;
 FIG. 13 is a top plan view in the closed state thereof; and,
 FIG. 14 is a bottom plan view in the closed state thereof.

1 Claim, 10 Drawing Sheets



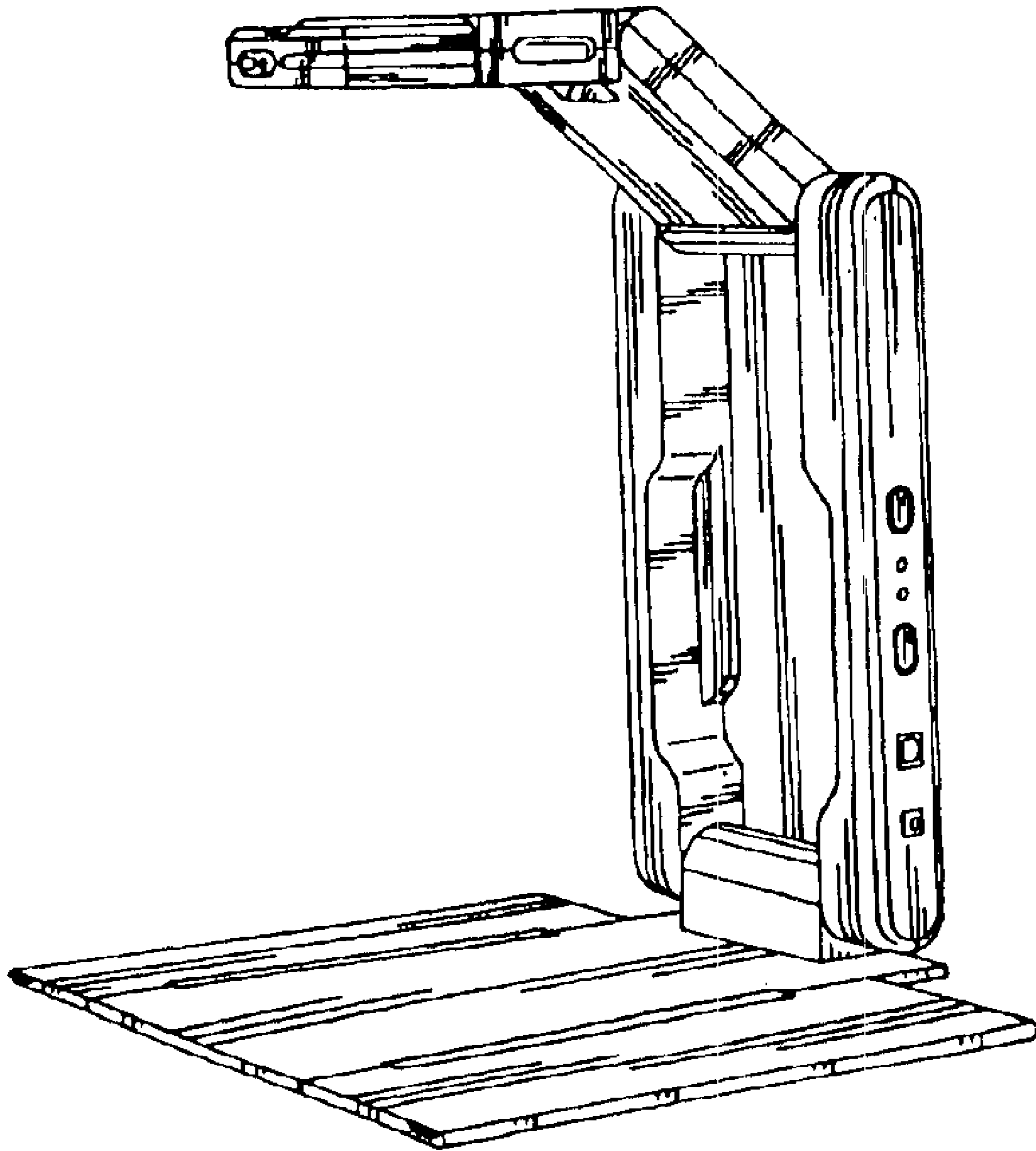


FIG. 1

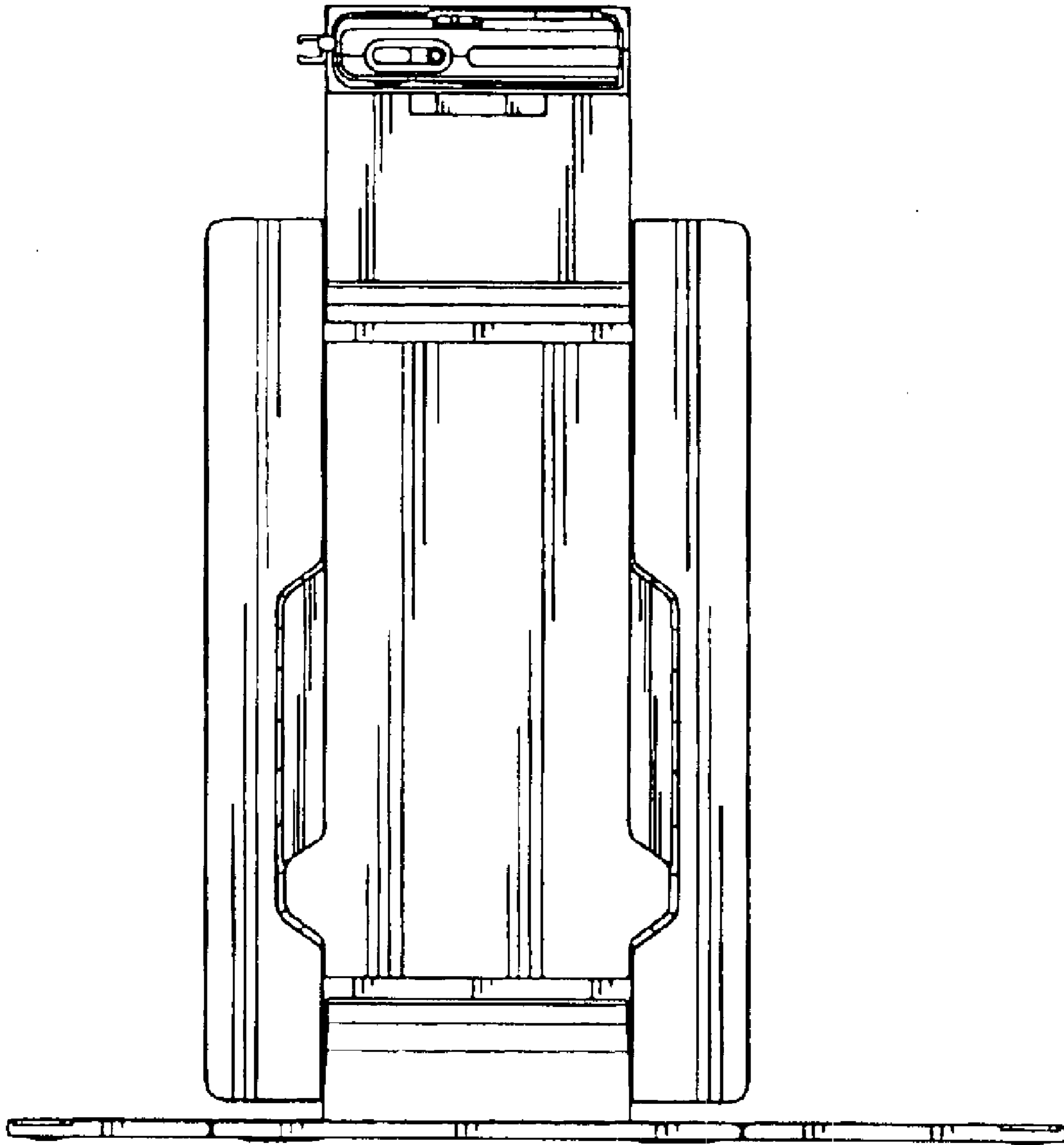


FIG. 2

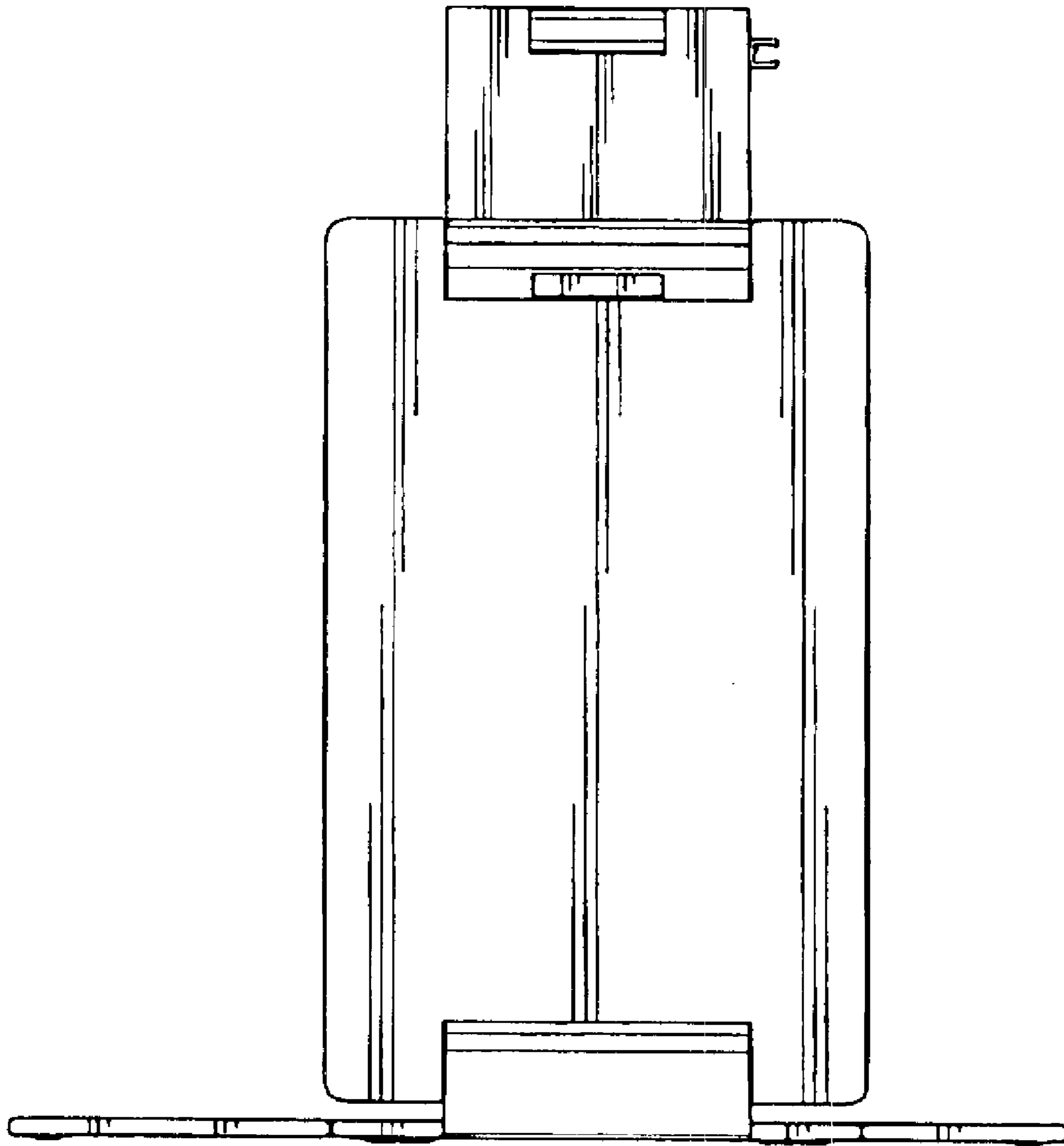


FIG. 3

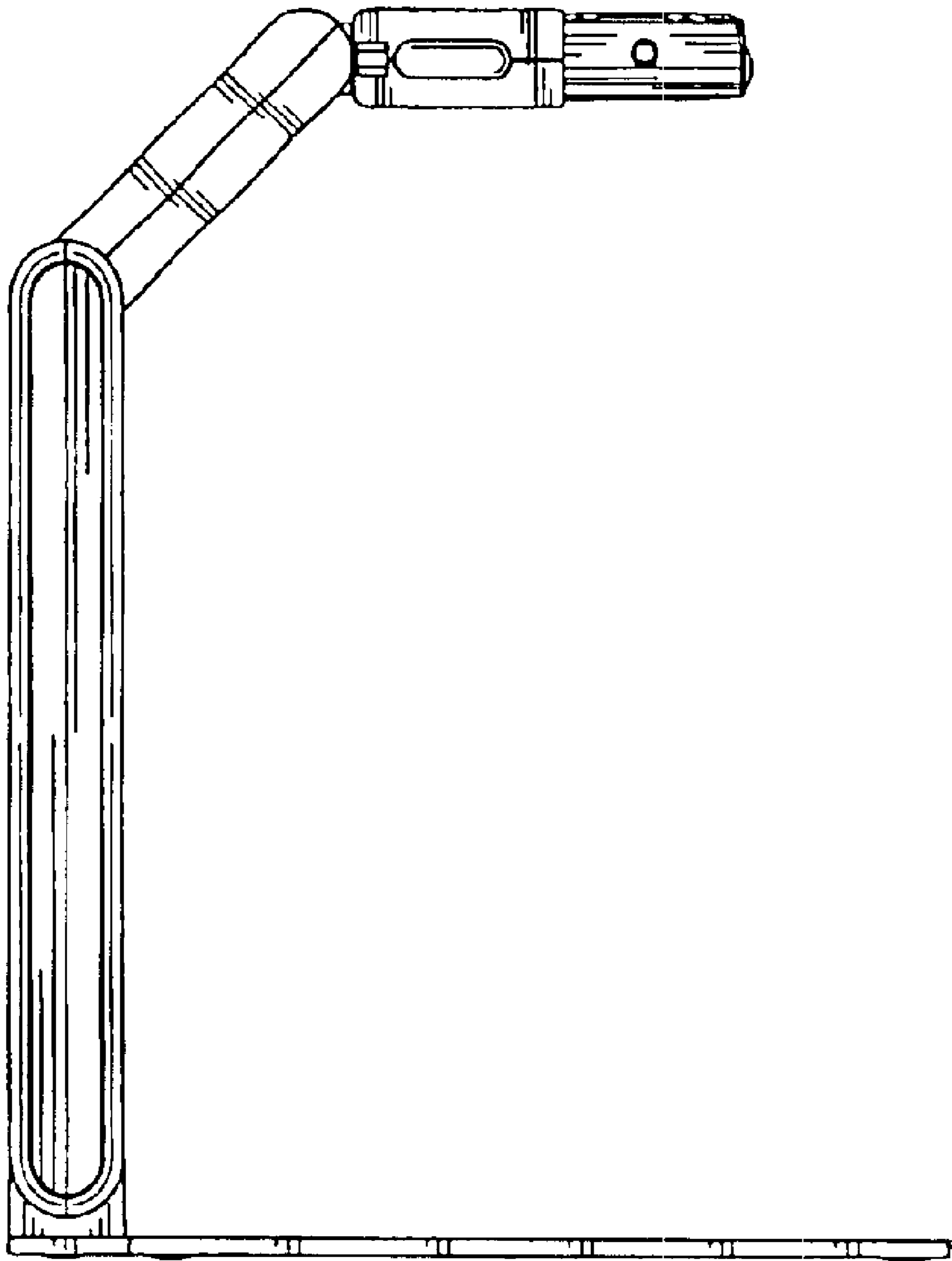


FIG. 4

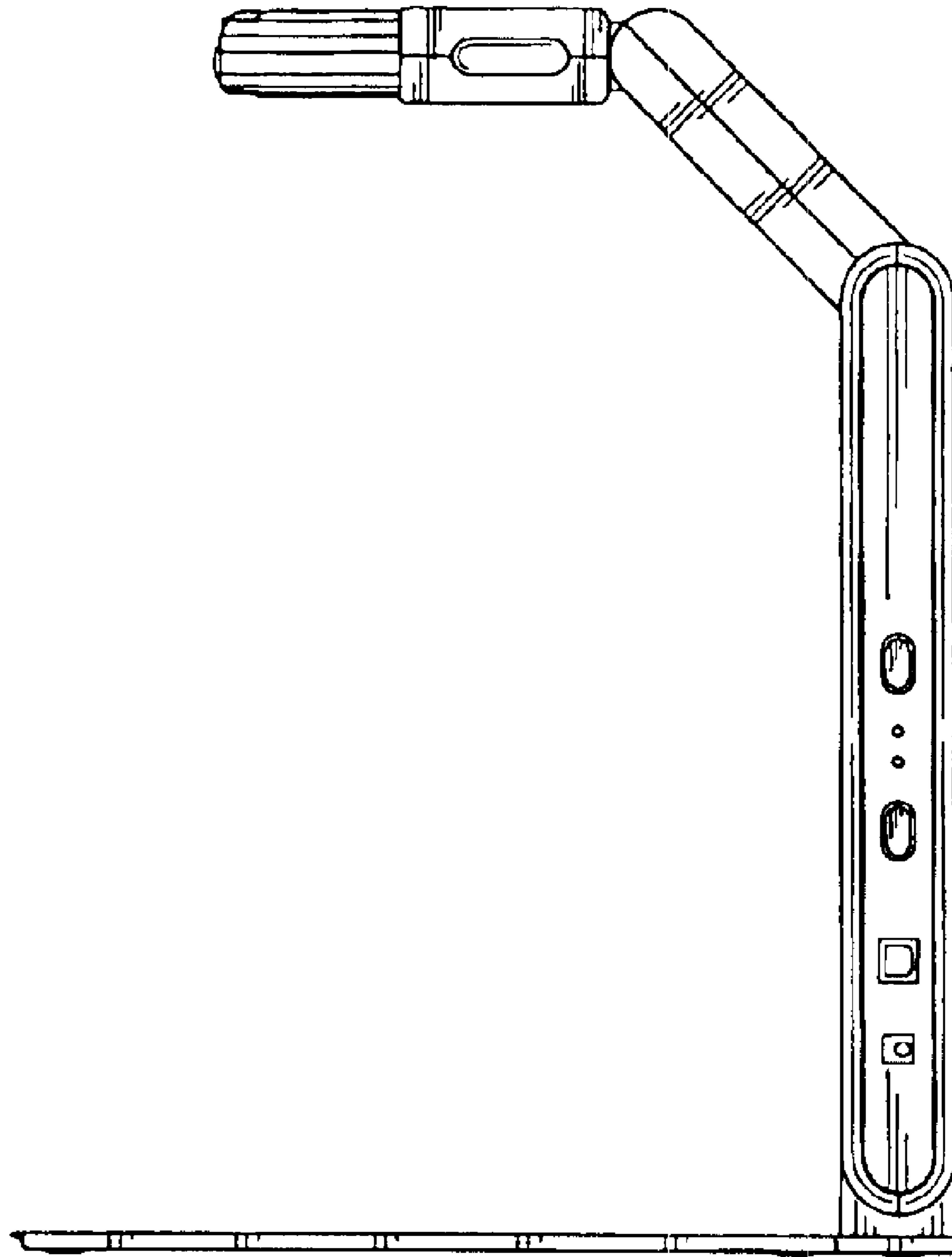


FIG. 5

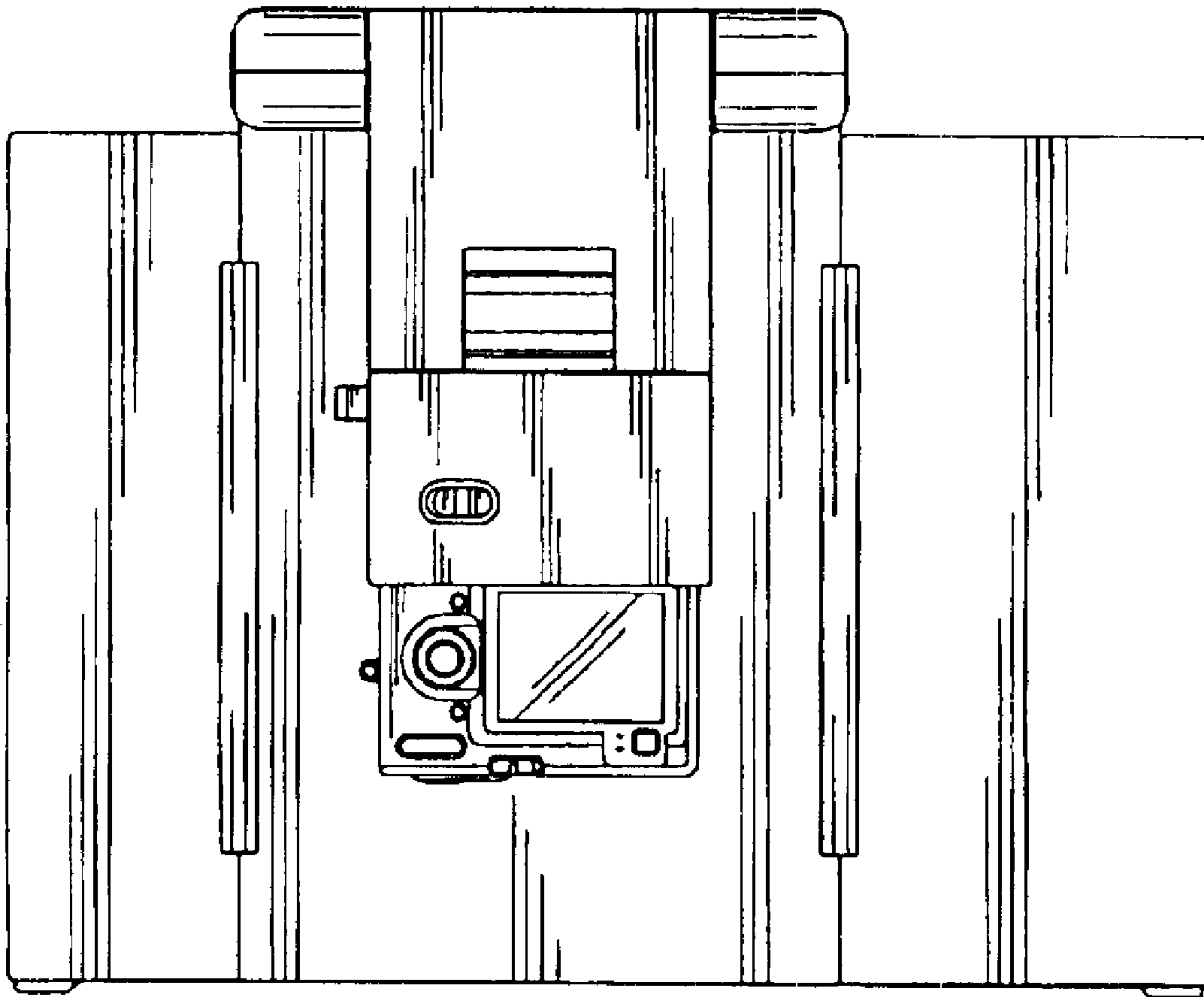


FIG. 6

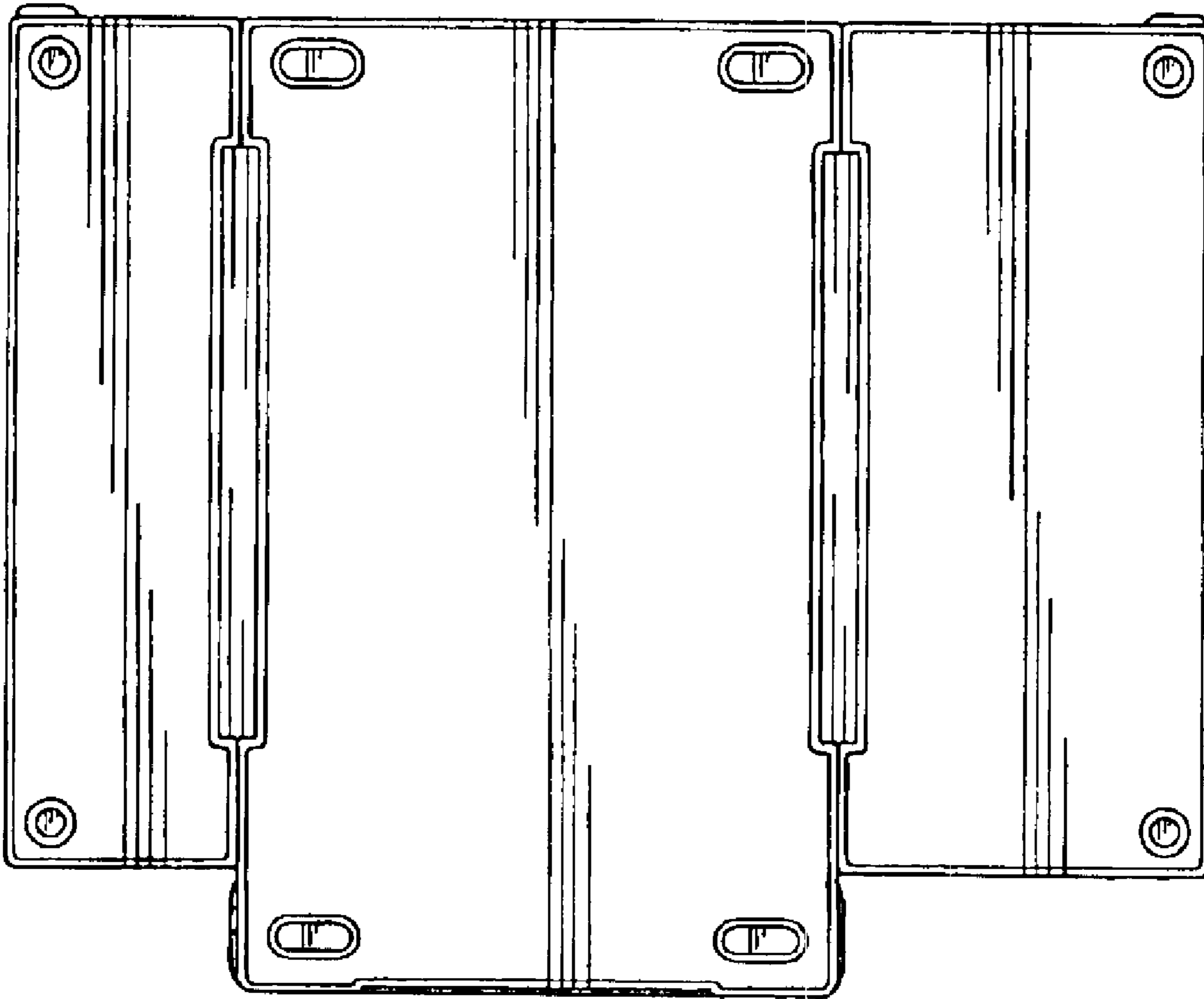


FIG. 7

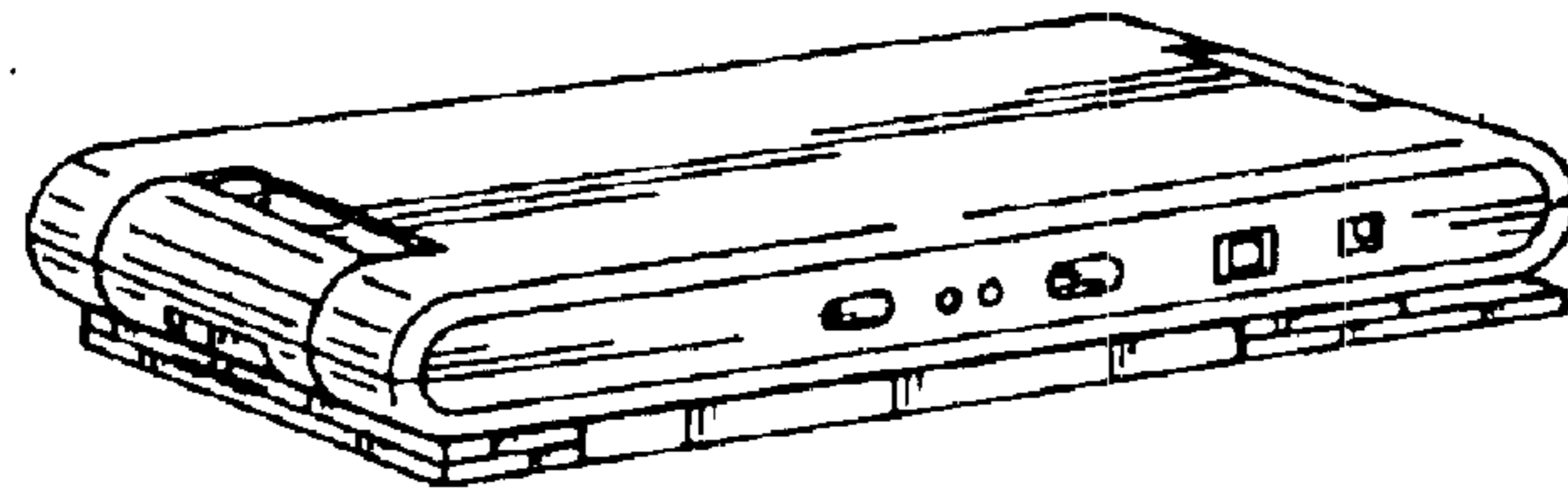


FIG. 8

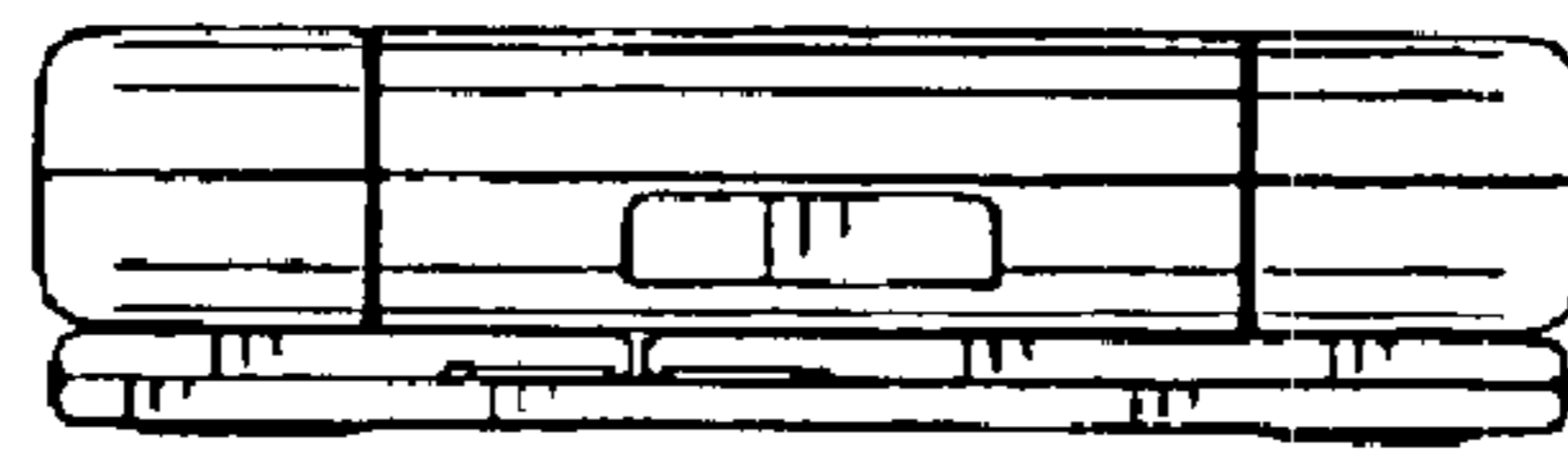


FIG. 9

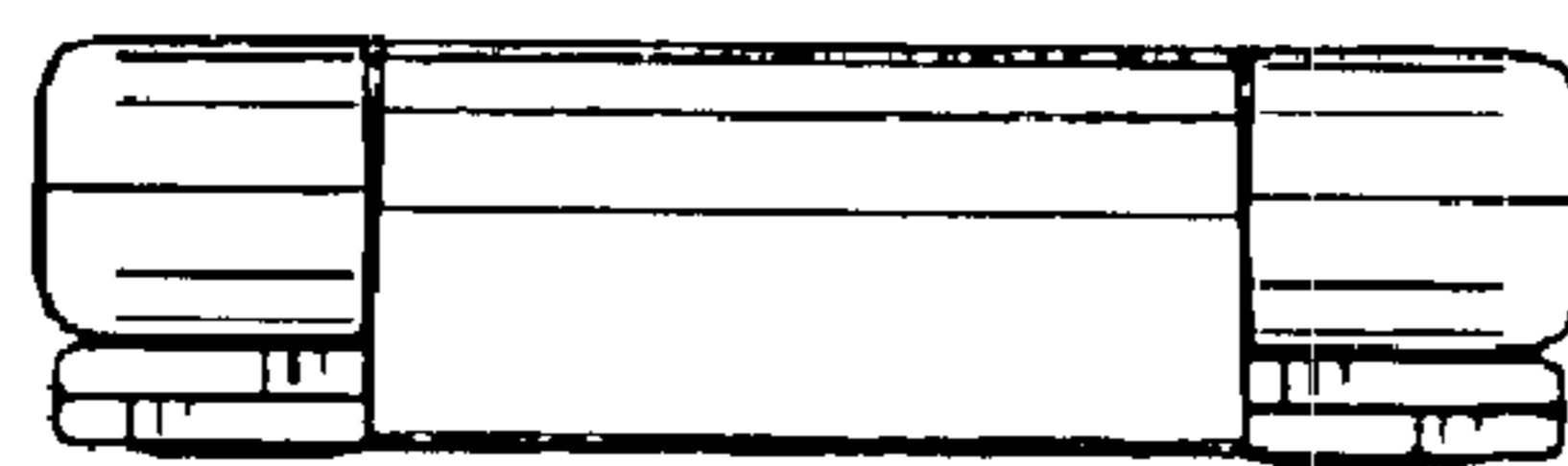


FIG. 10

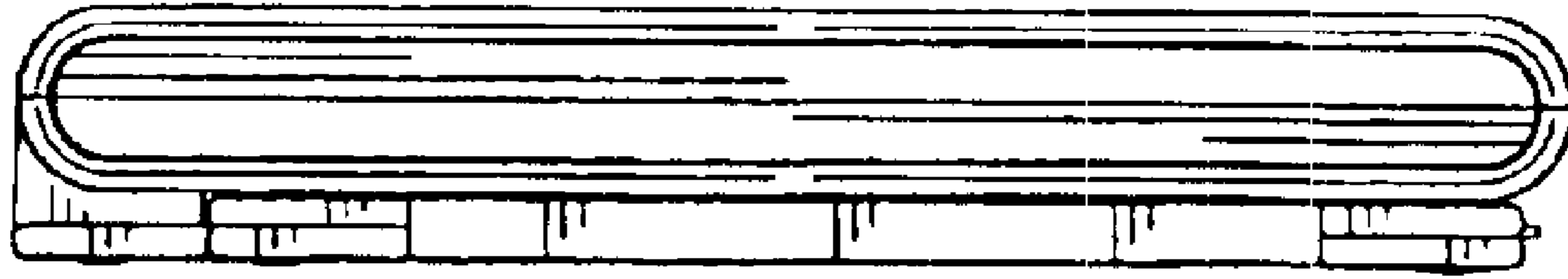


FIG. 11

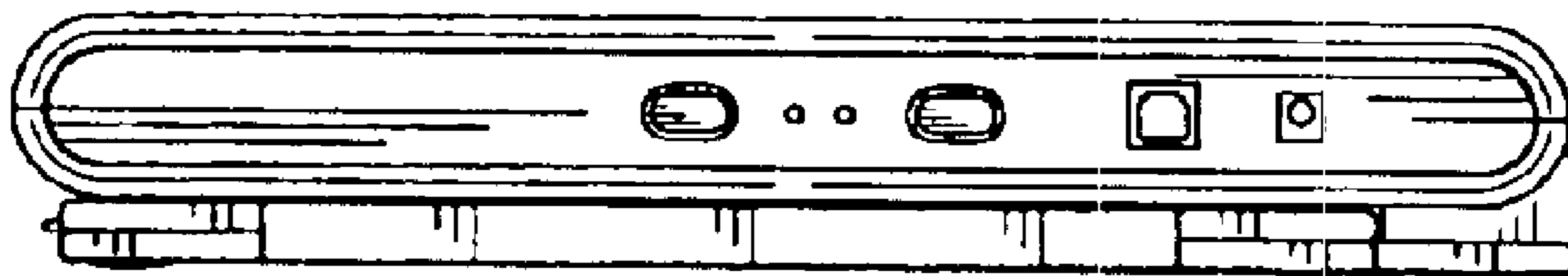


FIG. 12

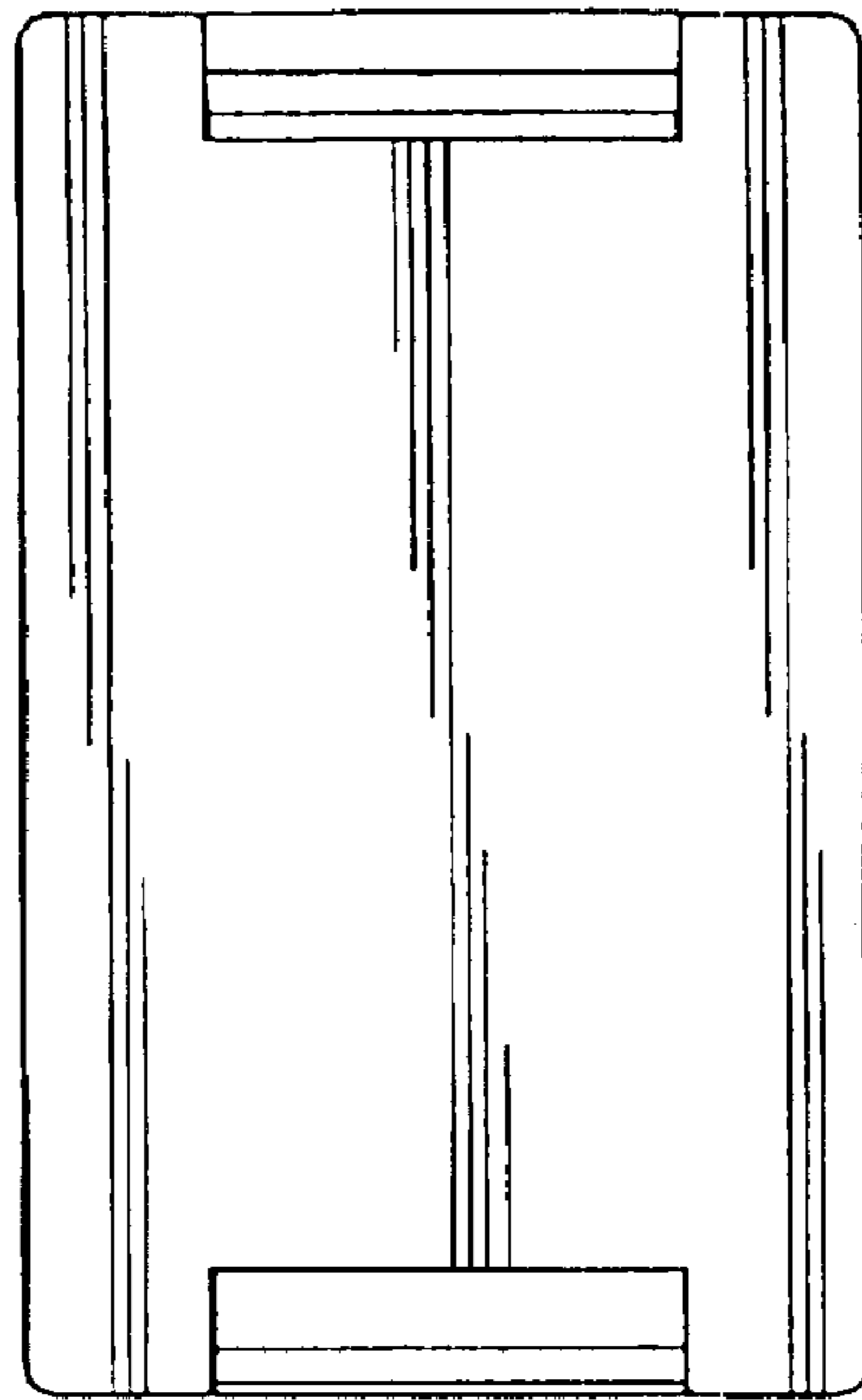


FIG. 13

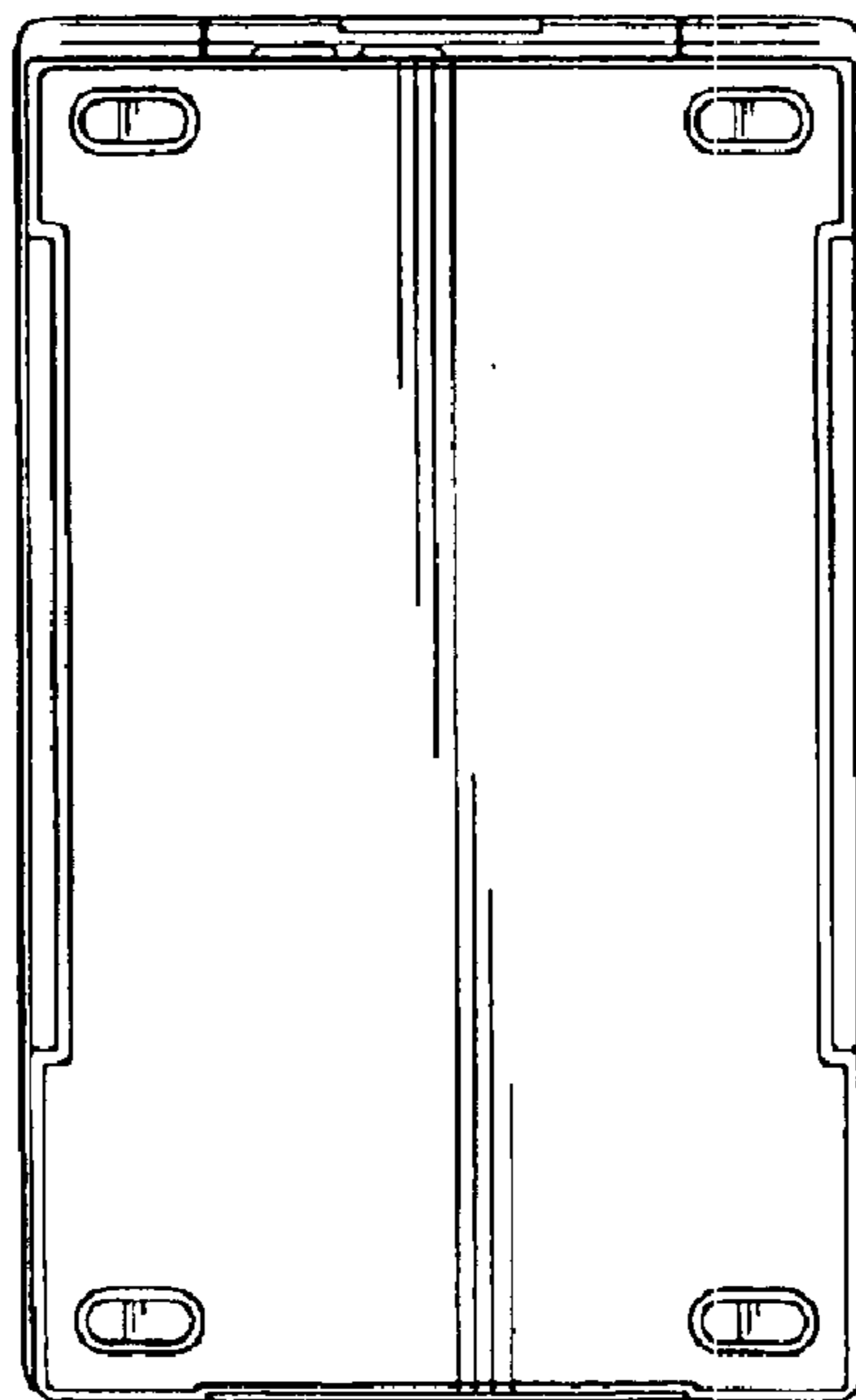


FIG. 14