



US00D505967S

(12) **United States Design Patent**
Ko et al.

(10) **Patent No.:** **US D505,967 S**
(45) **Date of Patent:** **** Jun. 7, 2005**

(54) **CAMERA**

(75) Inventors: **Ti-Chieh Ko**, Taipei (TW); **Yu-Fen Lo**,
Yonghe (TW); **Ho-Tsung Hsueh**,
Luodong (TW)

(73) Assignee: **Benq Corporation**, Taoyuan (TW)

(**) Term: **14 Years**

(21) Appl. No.: **29/207,228**

(22) Filed: **Jun. 10, 2004**

(51) **LOC (8) Cl.** **16-01**

(52) **U.S. Cl.** **D16/218; D16/202**

(58) **Field of Search** **D16/200–205,**
D16/208, 218; 348/373–376; 358/906, 909.1;
396/535–541

(56) **References Cited**

U.S. PATENT DOCUMENTS

D415,779 S * 10/1999 Matsushita D16/218
6,118,941 A * 9/2000 Sugiyama 396/535
D477,832 S * 7/2003 Suzuki D16/218

D483,049 S * 12/2003 Hsieh D16/202
6,751,407 B2 * 6/2004 Shum et al. 396/6
D500,775 S * 1/2005 Iue D16/202

* cited by examiner

Primary Examiner—Adir Aronovich

(74) *Attorney, Agent, or Firm*—Thomas, Kayden,
Horstemeyer & Risley

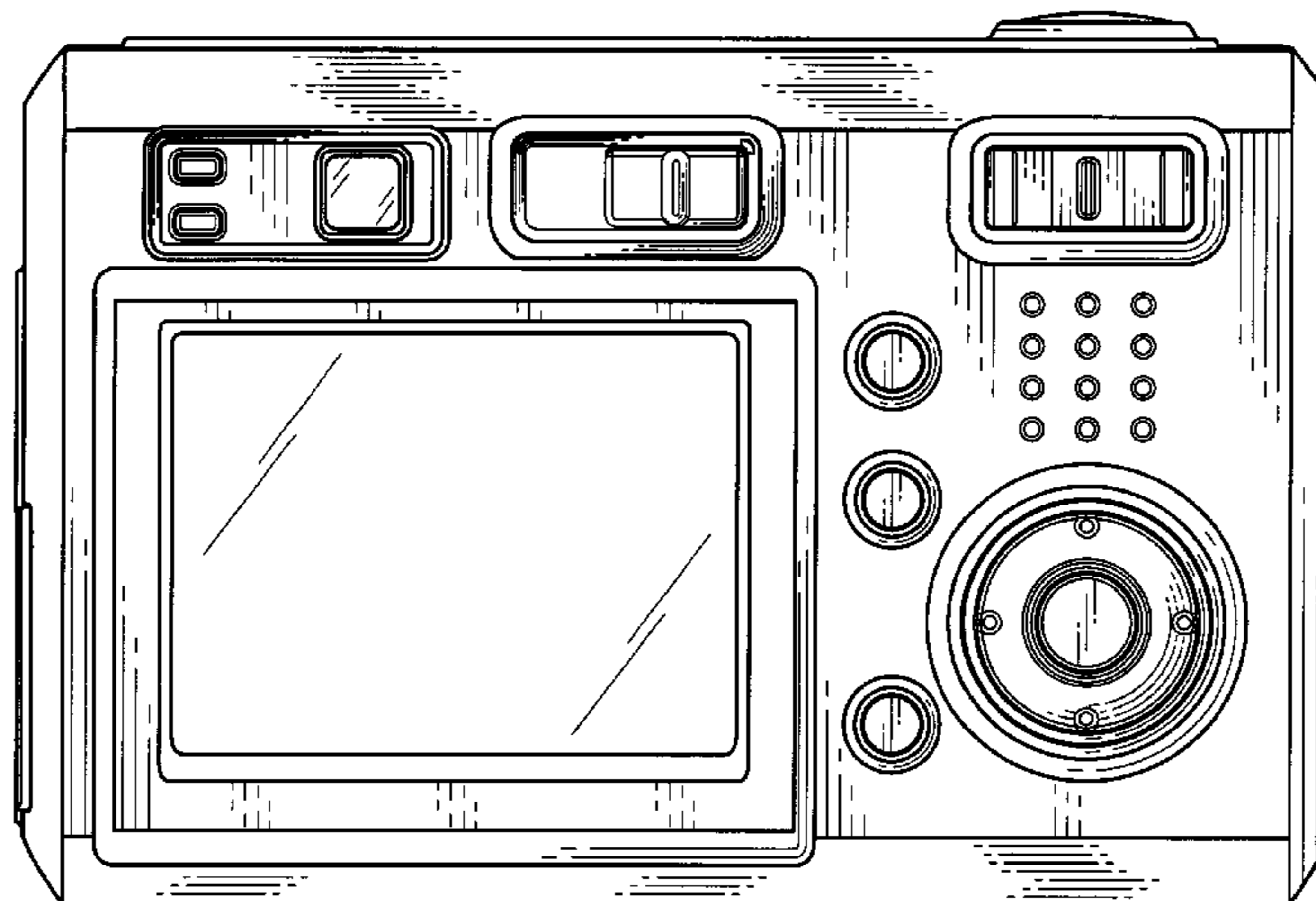
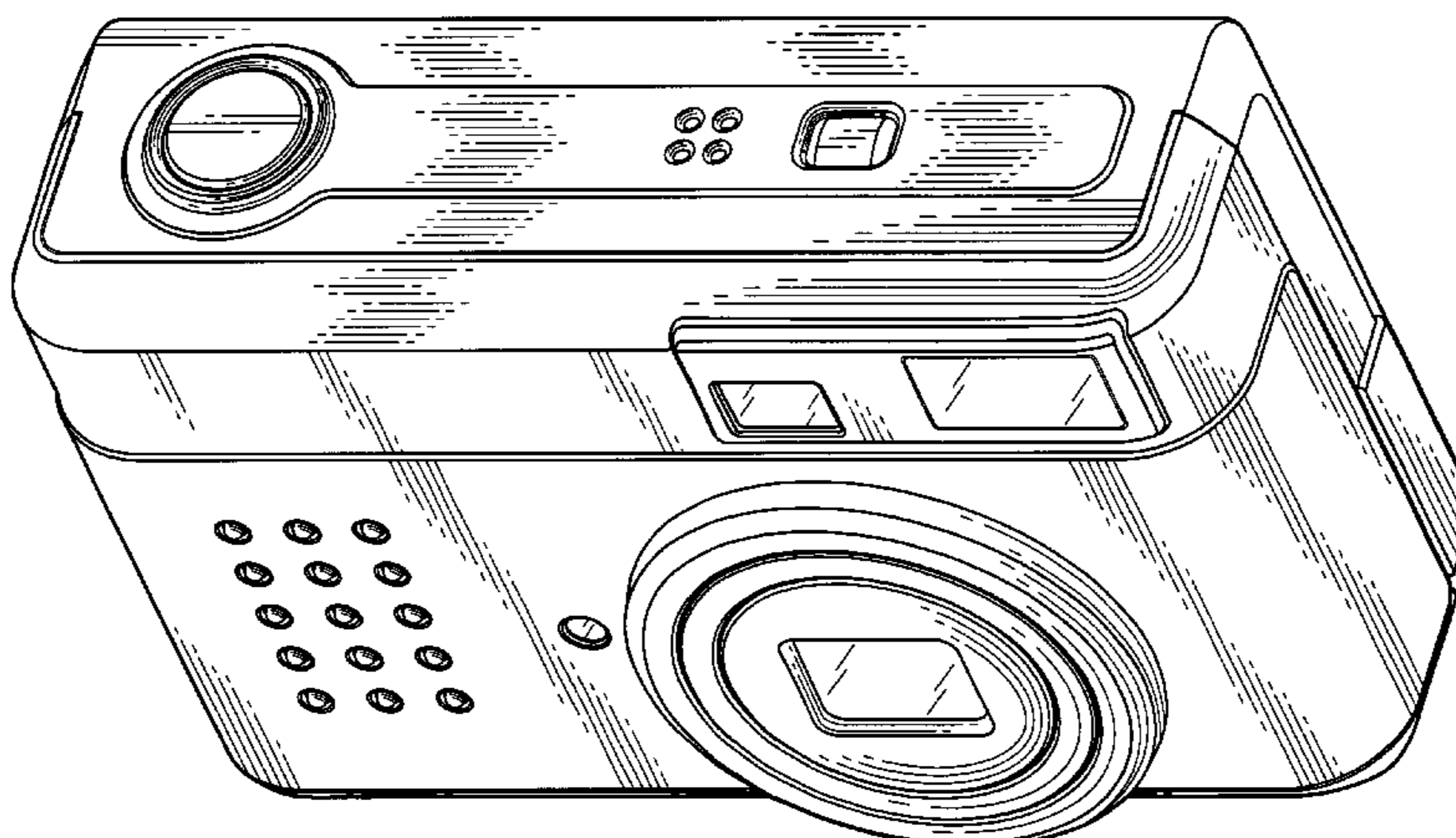
(57) **CLAIM**

The ornamental design for a camera, as shown and
described.

DESCRIPTION

FIG. 1 is a perspective view of a camera showing our new
design;
FIG. 2 is a front elevational view thereof;
FIG. 3 is a rear elevational view thereof;
FIG. 4 is a left side elevational view thereof;
FIG. 5 is a right side elevational view thereof;
FIG. 6 is a top plan view thereof; and,
FIG. 7 is a bottom plan view thereof.

1 Claim, 7 Drawing Sheets



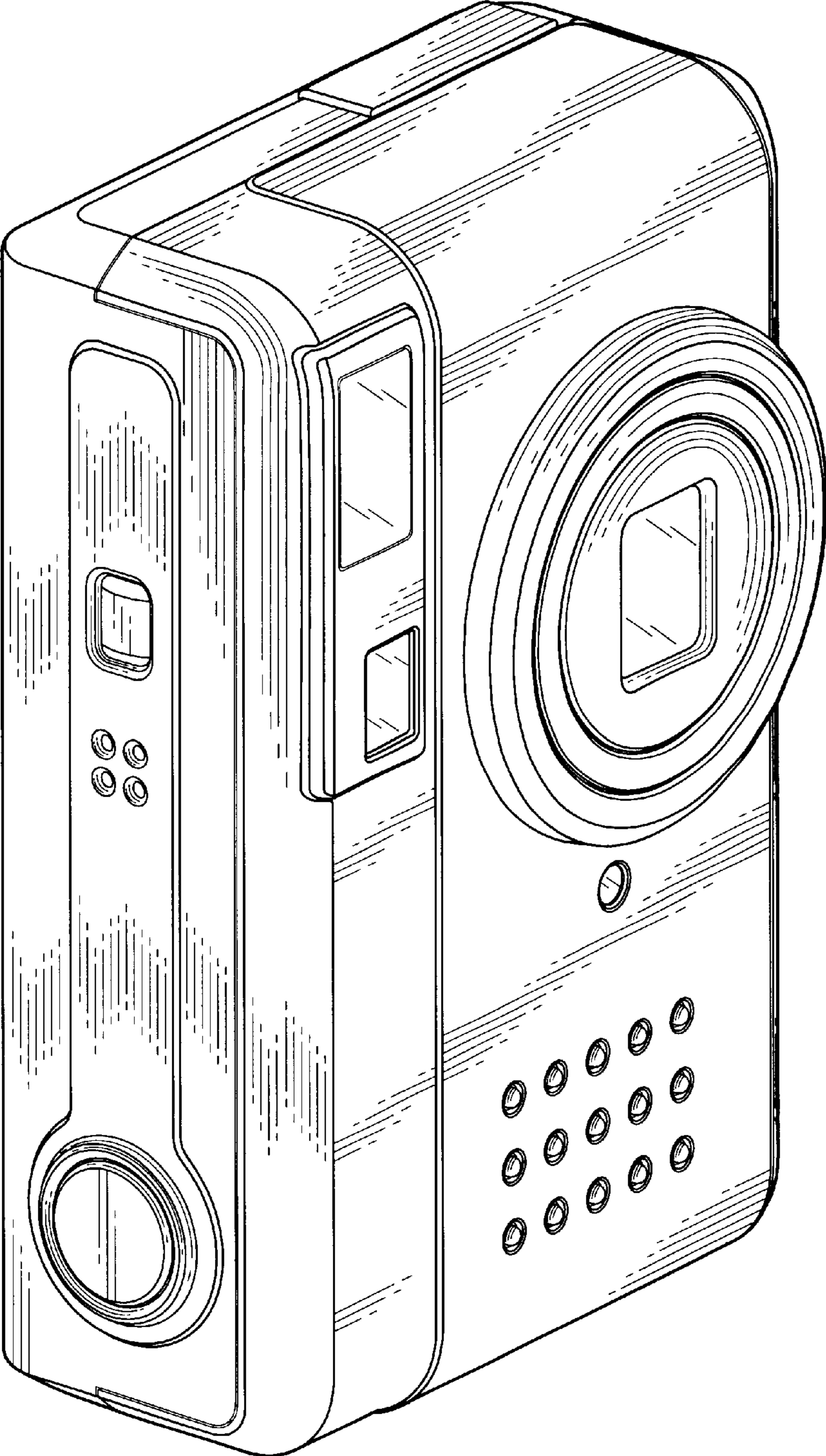


FIG. 1

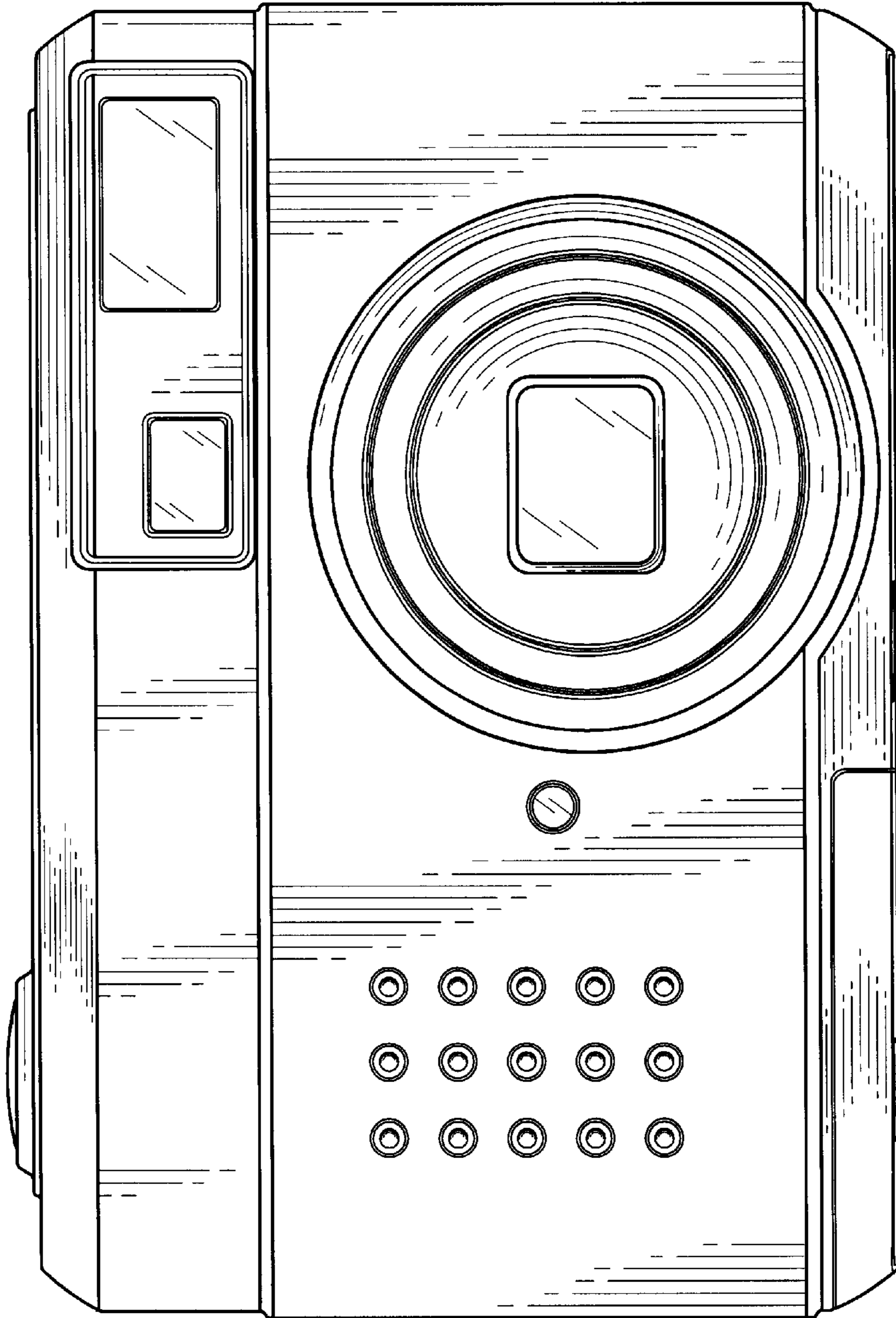


FIG. 2

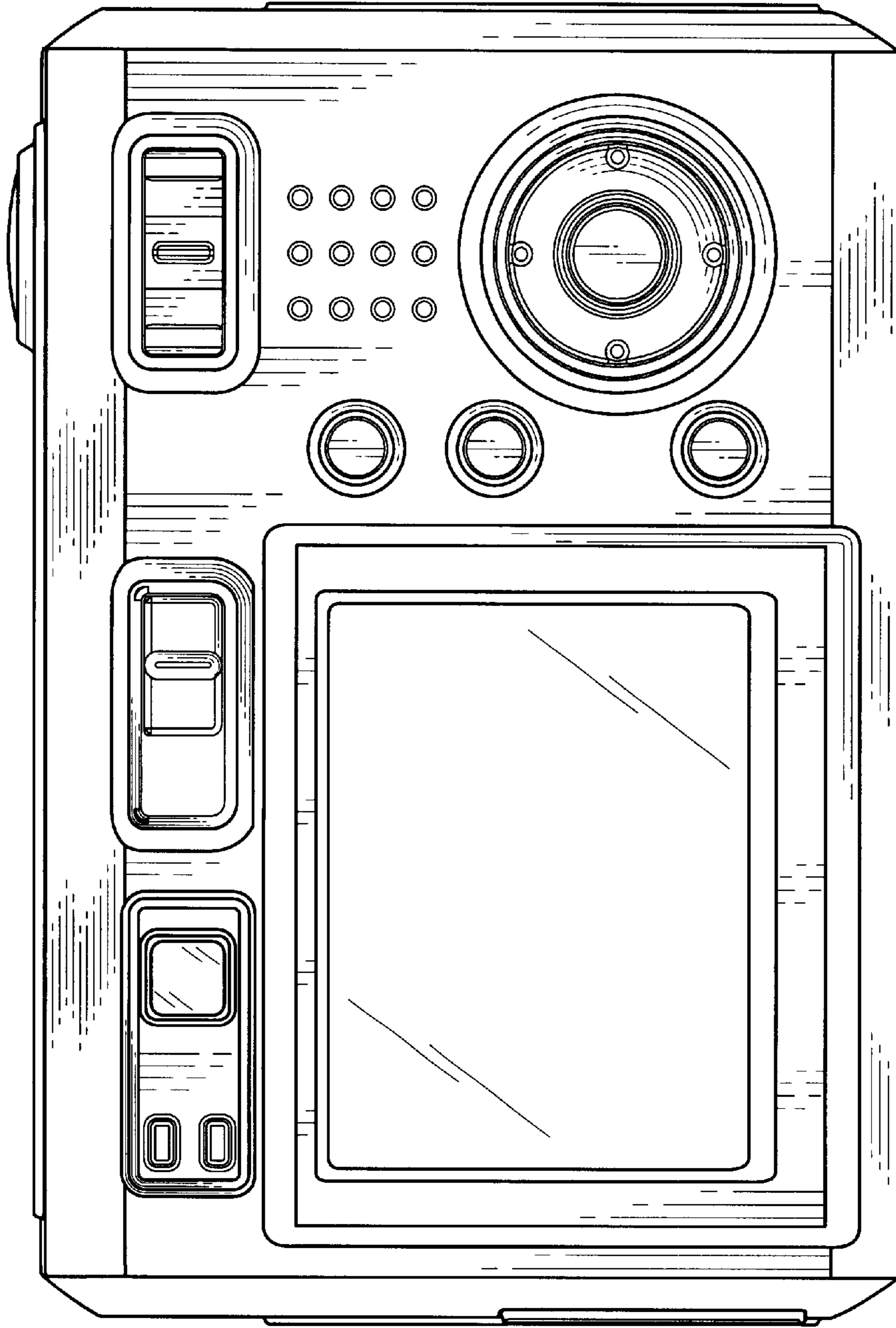


FIG. 3

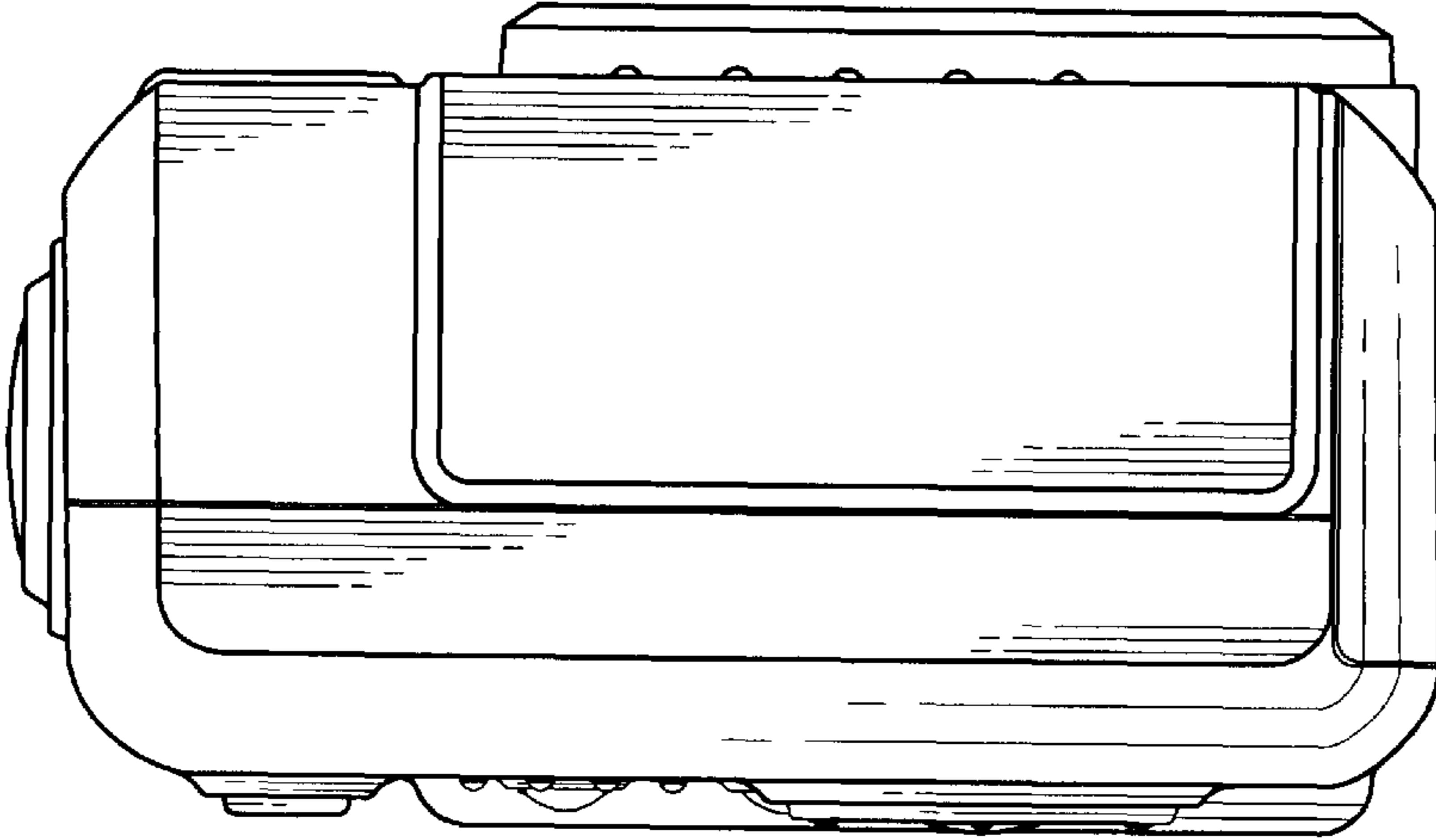


FIG. 4

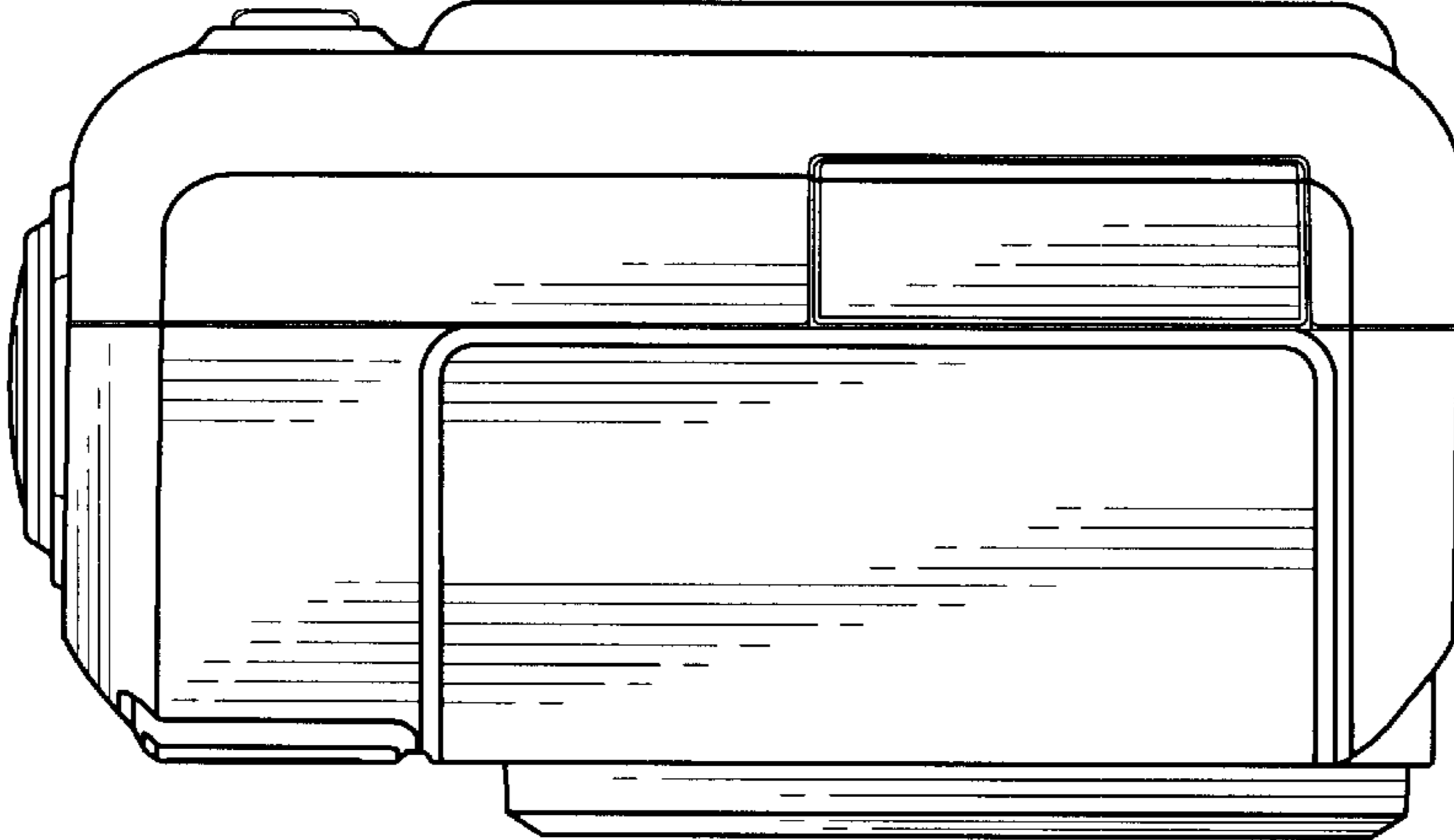


FIG. 5

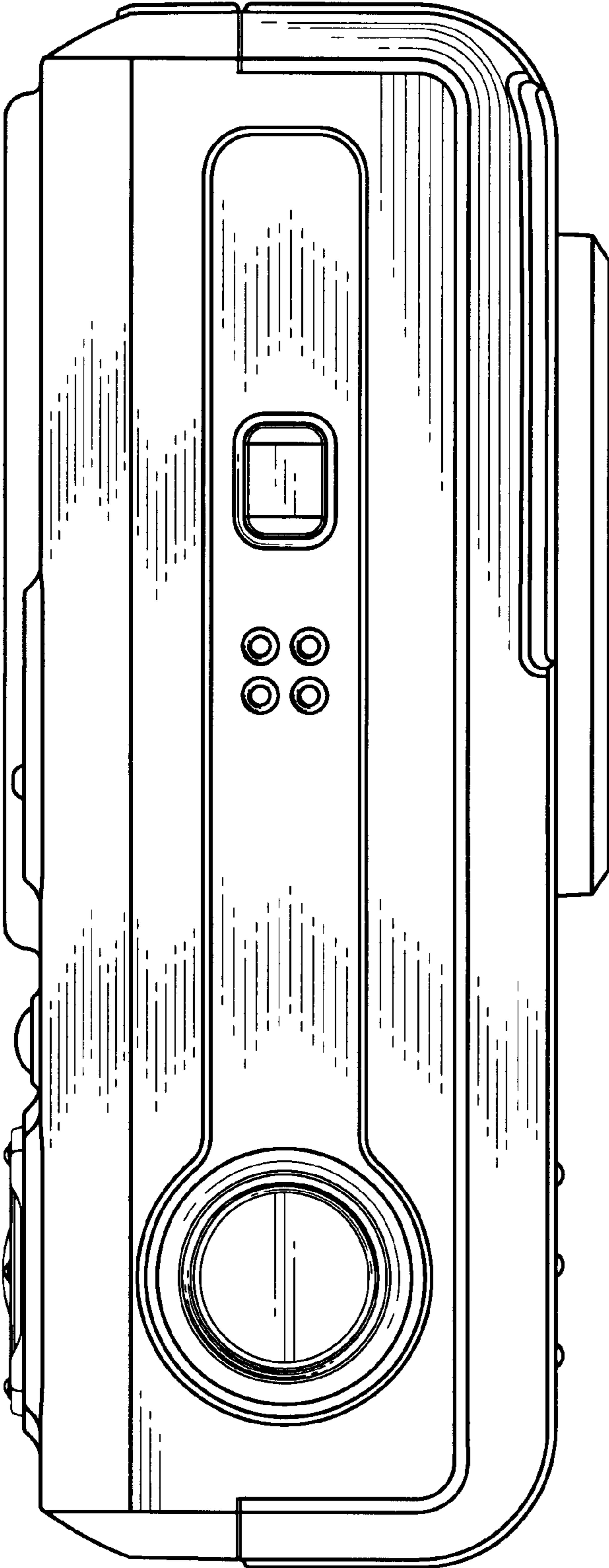


FIG. 6

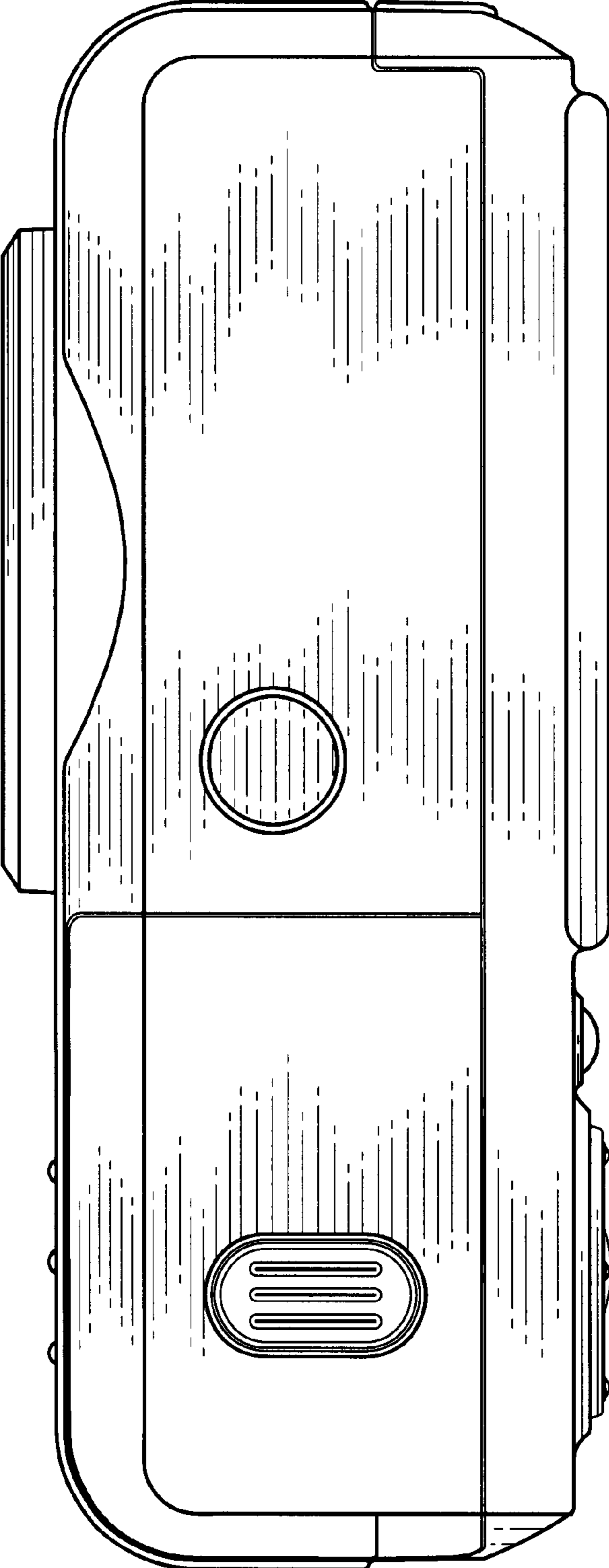


FIG. 7