

US00D505966S

(12) **United States Design Patent**  
**Stropkay et al.**

(10) **Patent No.:** **US D505,966 S**

(45) **Date of Patent:** **\*\* Jun. 7, 2005**

(54) **CAMERA**

(75) **Inventors:** **Scott Edward Stropkay**, Carlisle, MA  
(US); **Jeannette Marie Numbers**,  
Providence, RI (US)

(73) **Assignee:** **Polaroid Corporation**, Waltham, MA  
(US)

(\*\*) **Term:** **14 Years**

(21) **Appl. No.:** **29/206,549**

(22) **Filed:** **Jun. 1, 2004**

(51) **LOC (8) Cl.** ..... **16-01**

(52) **U.S. Cl.** ..... **D16/218**

(58) **Field of Search** ..... D16/200–204,  
D16/208, 209, 218; 348/373–376; 396/6,  
535, 536–541

(56) **References Cited**

**U.S. PATENT DOCUMENTS**

6,118,941 A \* 9/2000 Sugiyama ..... 396/6

D437,606 S \* 2/2001 Suto et al. .... D16/218  
D450,073 S \* 11/2001 Sumita ..... D16/202  
D450,735 S \* 11/2001 Teng et al. .... D16/202  
D450,737 S \* 11/2001 Suzuki ..... D16/202  
6,665,494 B1 \* 12/2003 Lai et al. .... 396/535

\* cited by examiner

*Primary Examiner*—Adir Aronovich

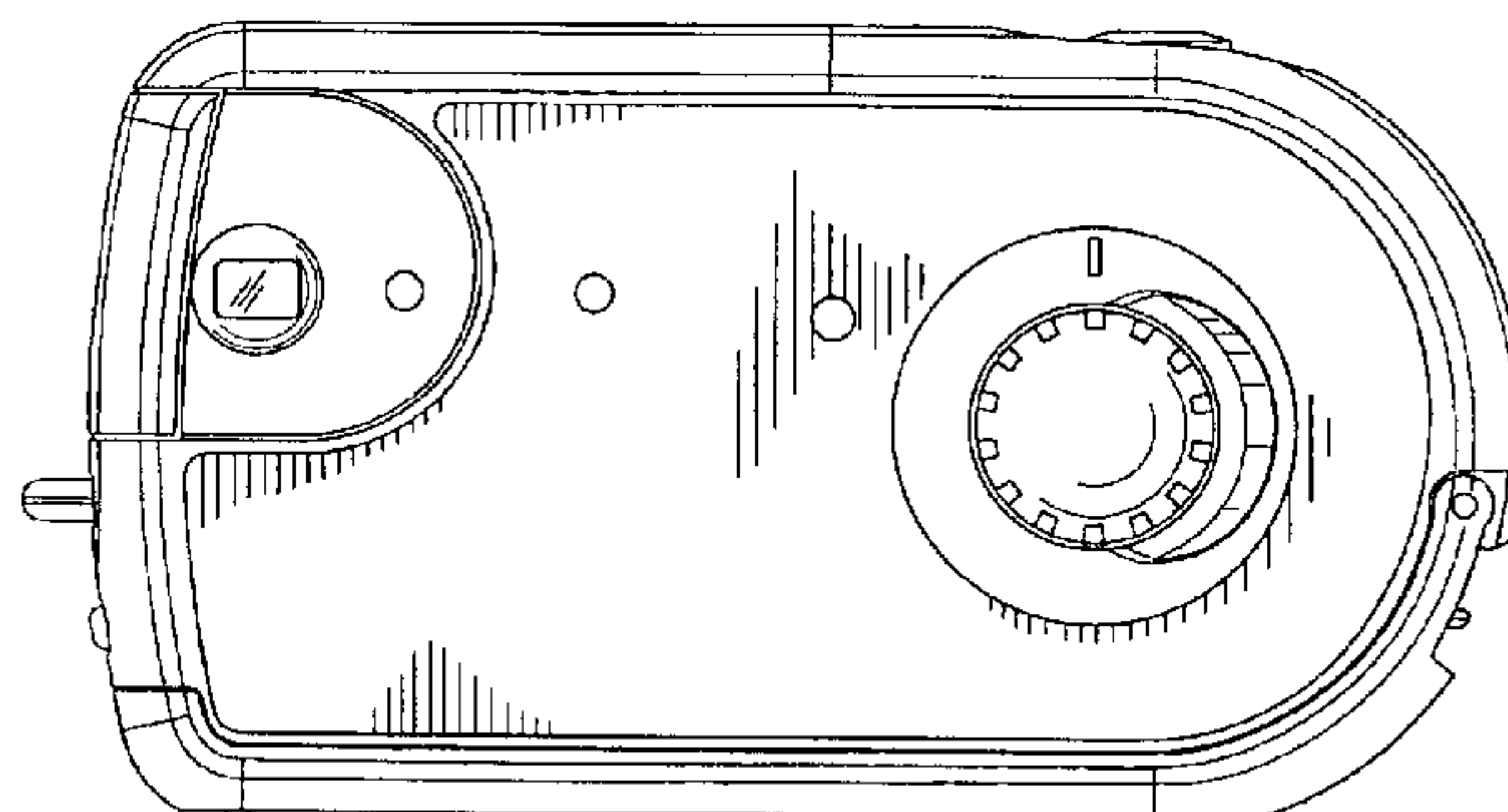
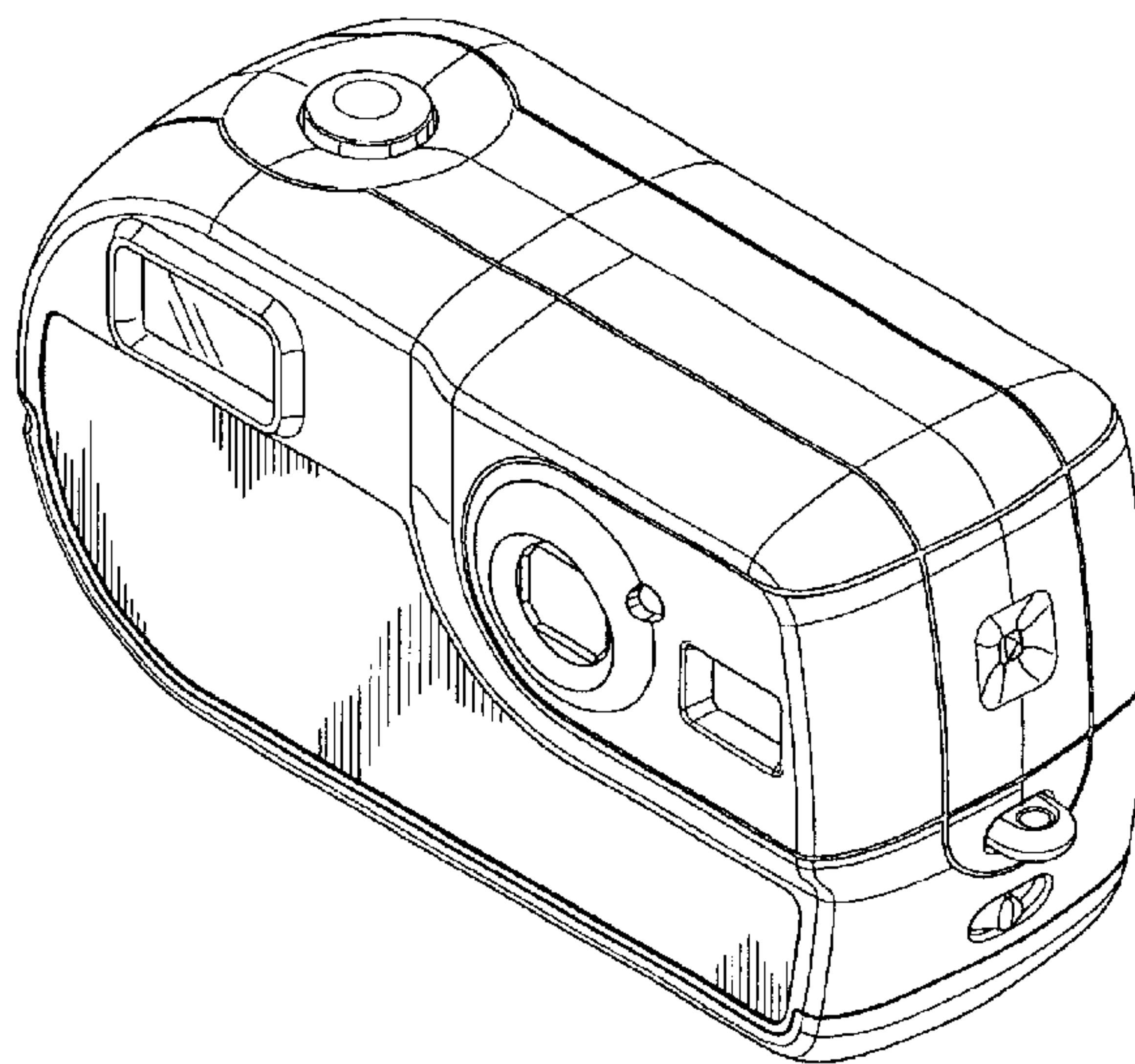
(57) **CLAIM**

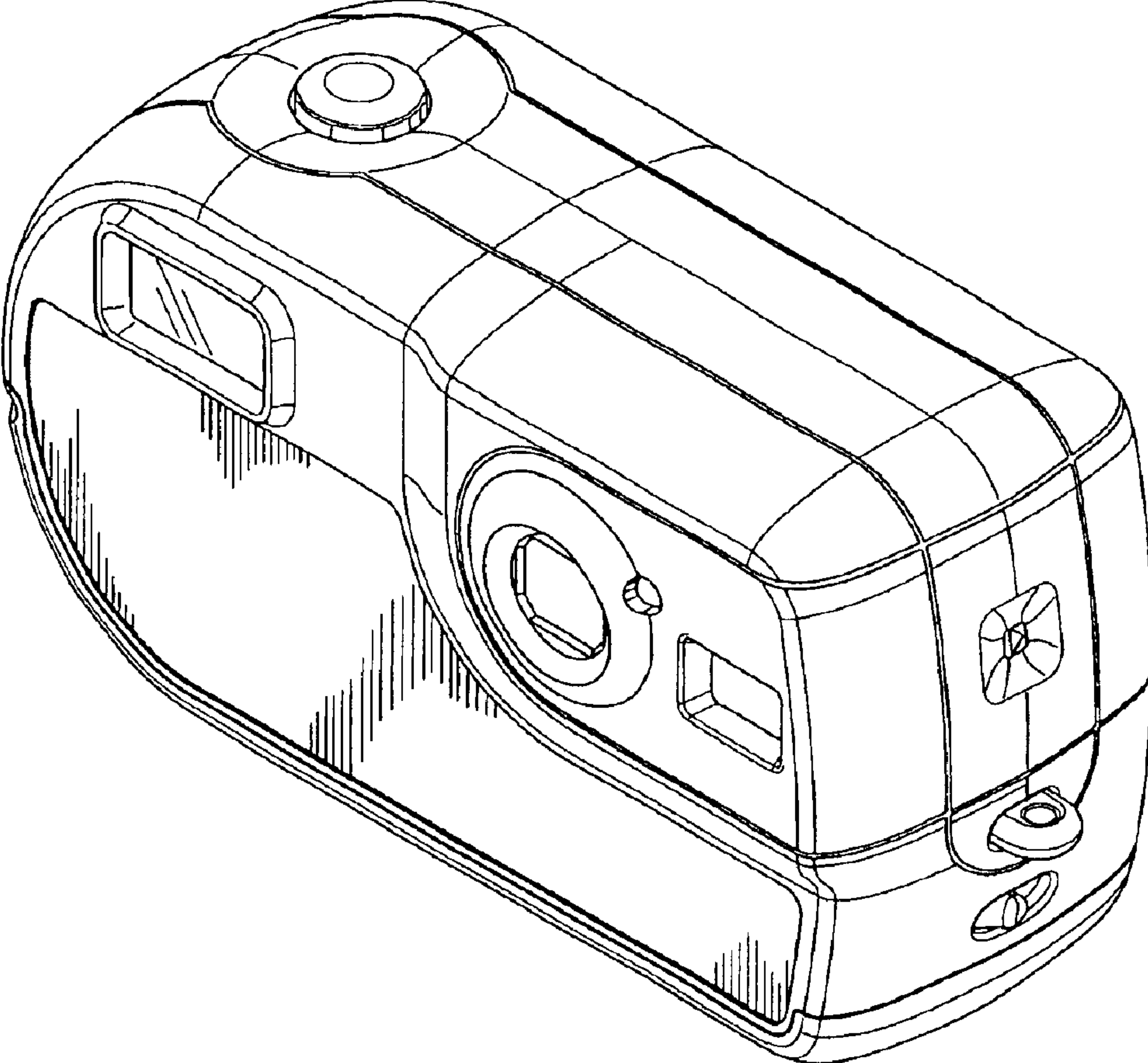
The ornamental design for a camera, as described and shown.

**DESCRIPTION**

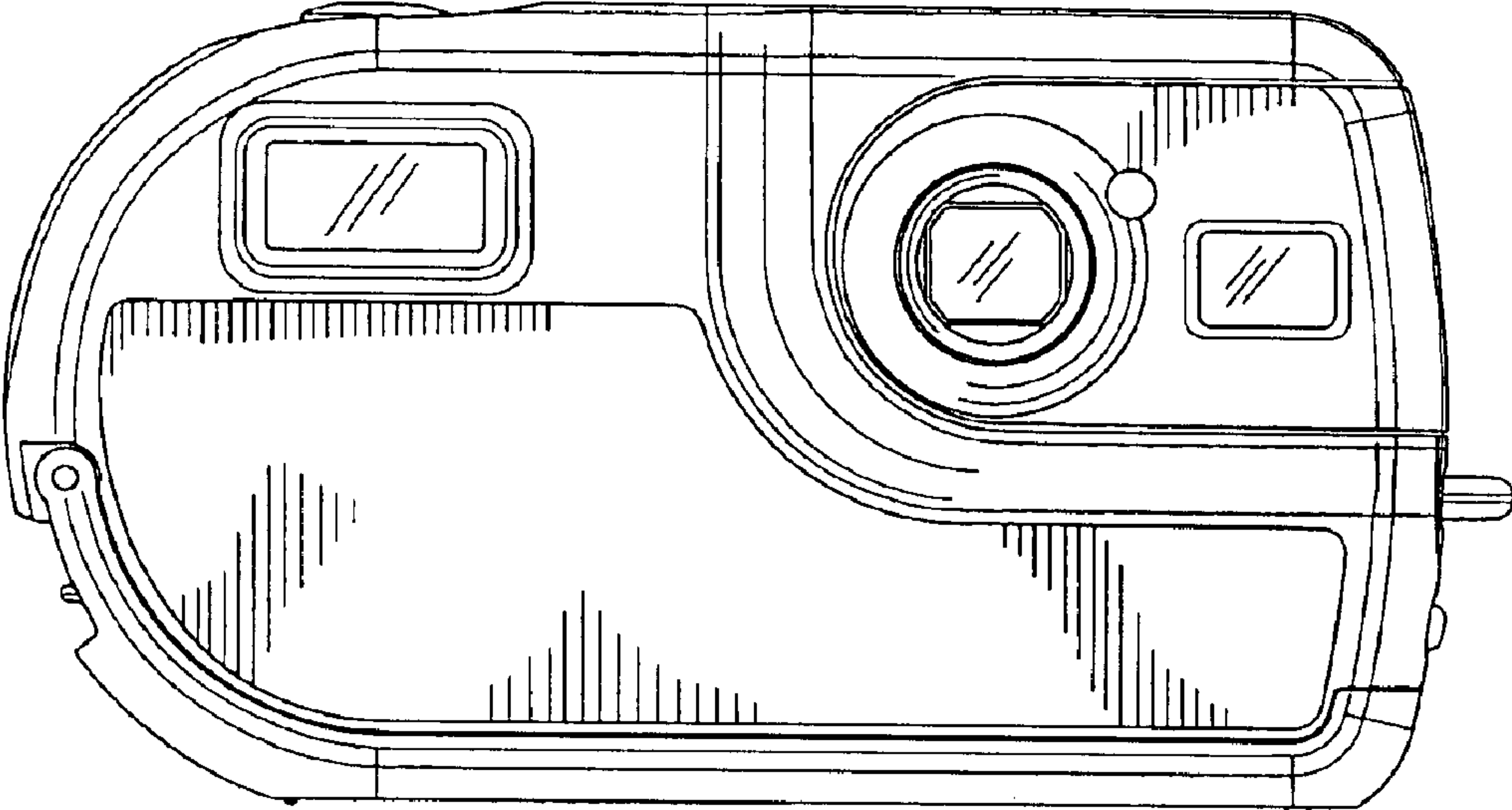
FIG. 1 is a front perspective view of a camera showing our new design;  
FIG. 2 is a front view thereof;  
FIG. 3 is a rear view thereof;  
FIG. 4 is a top view thereof;  
FIG. 5 is a bottom view thereof;  
FIG. 6 is a right view thereof; and,  
FIG. 7 is a left view thereof.

**1 Claim, 4 Drawing Sheets**

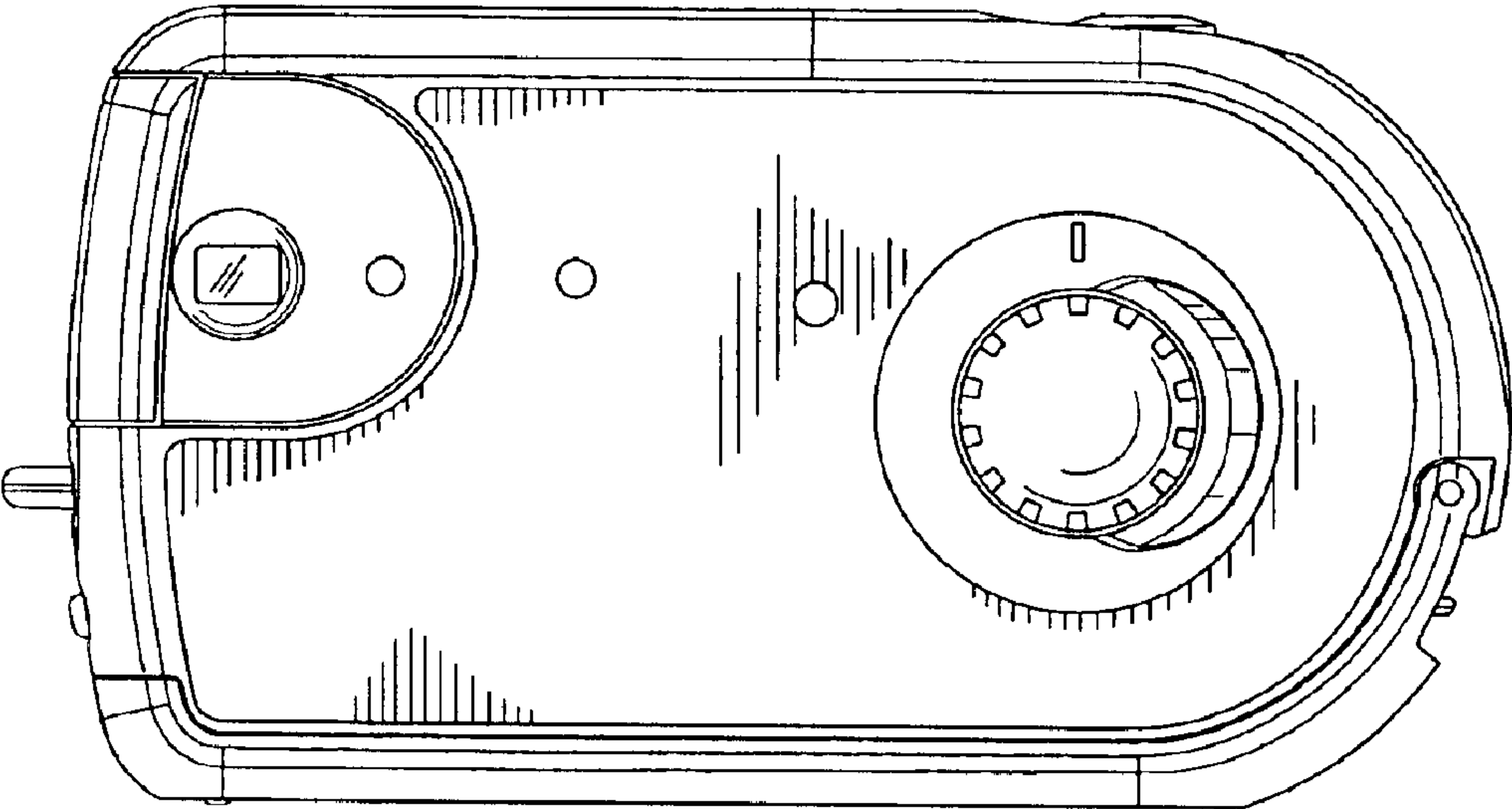




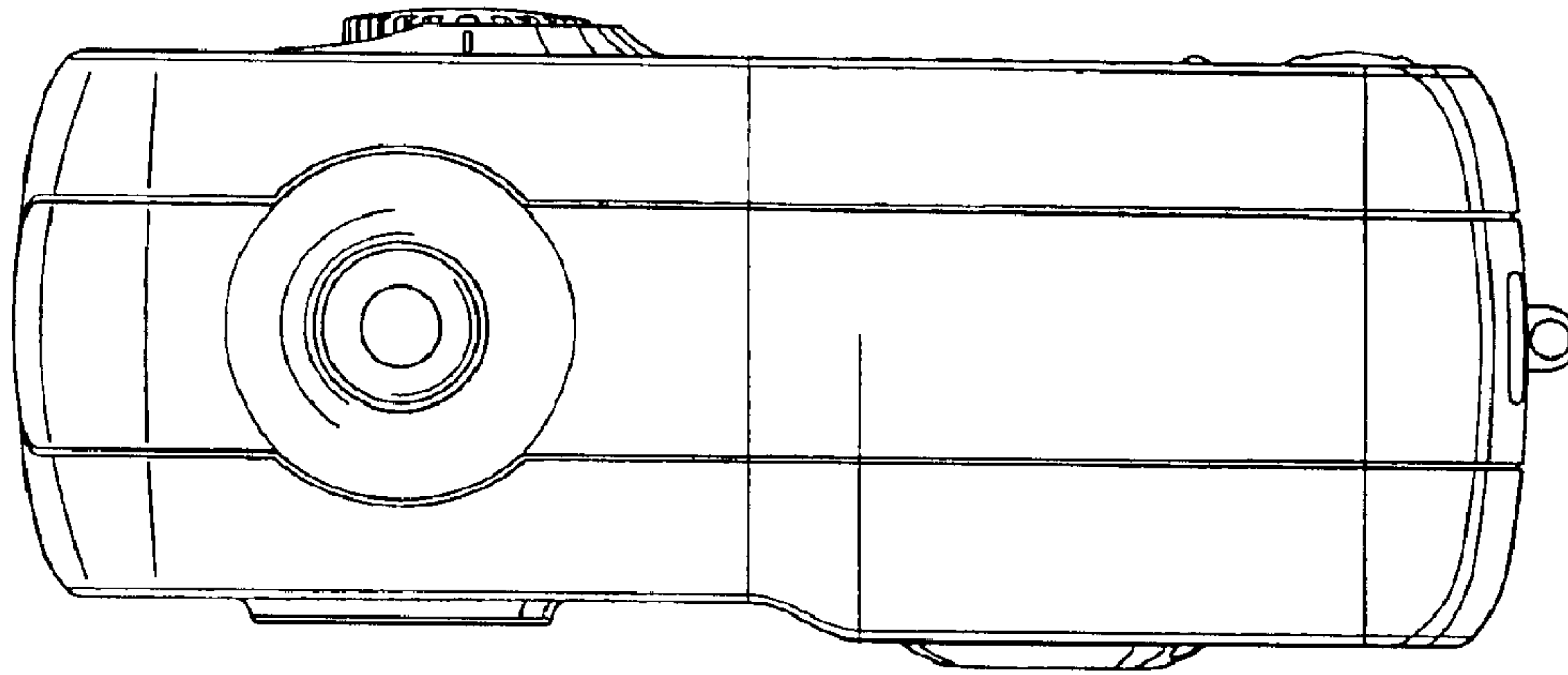
**FIG. 1**



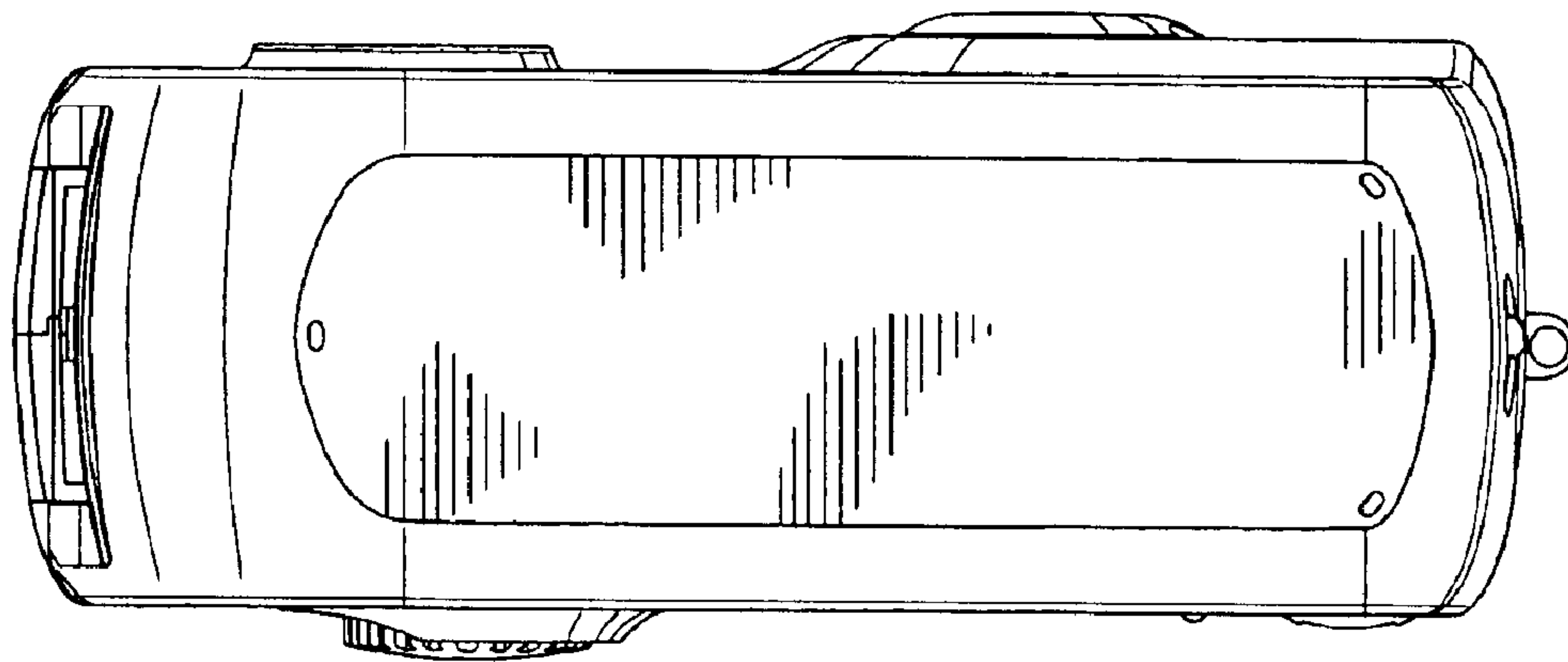
**FIG. 2**



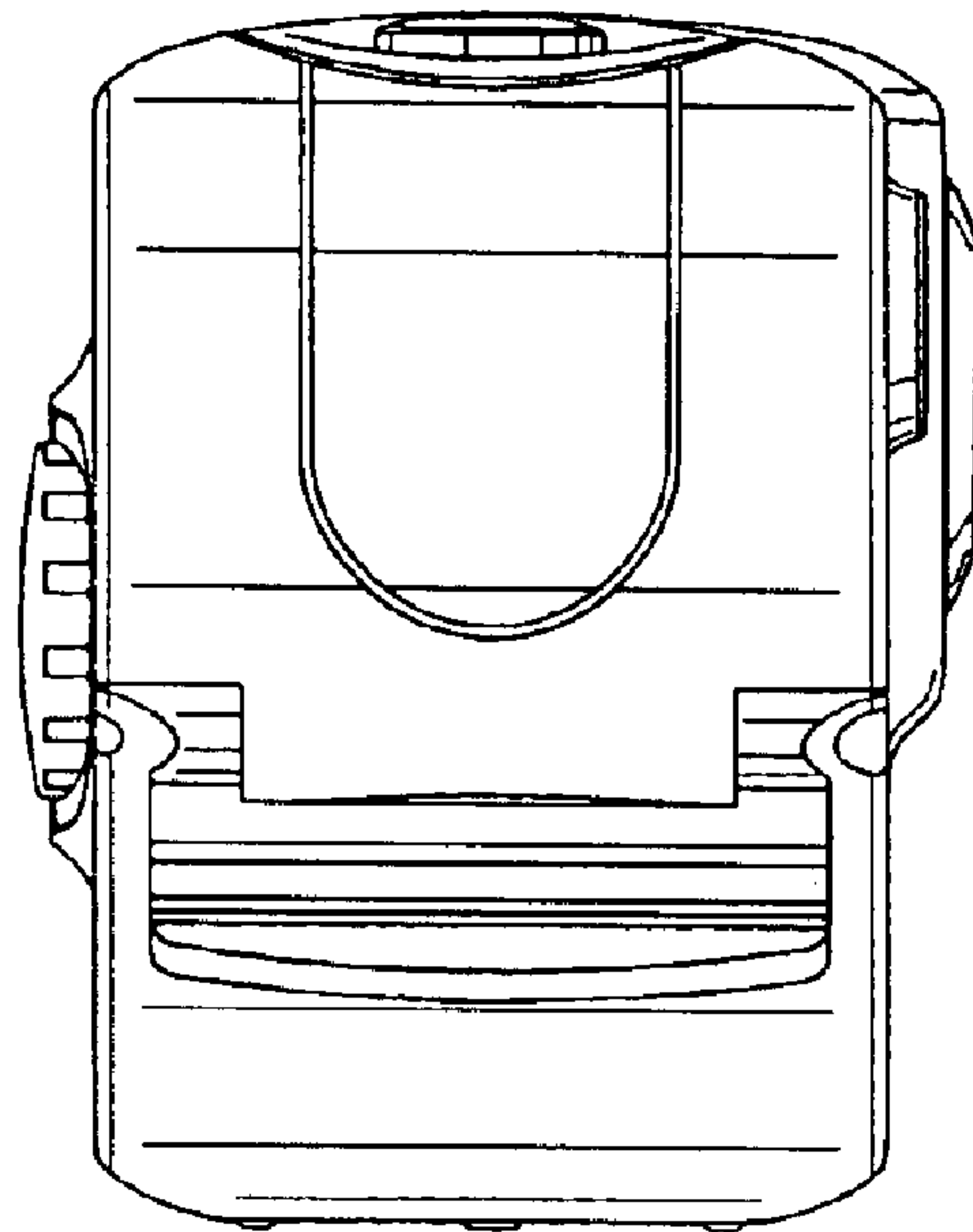
**FIG. 3**



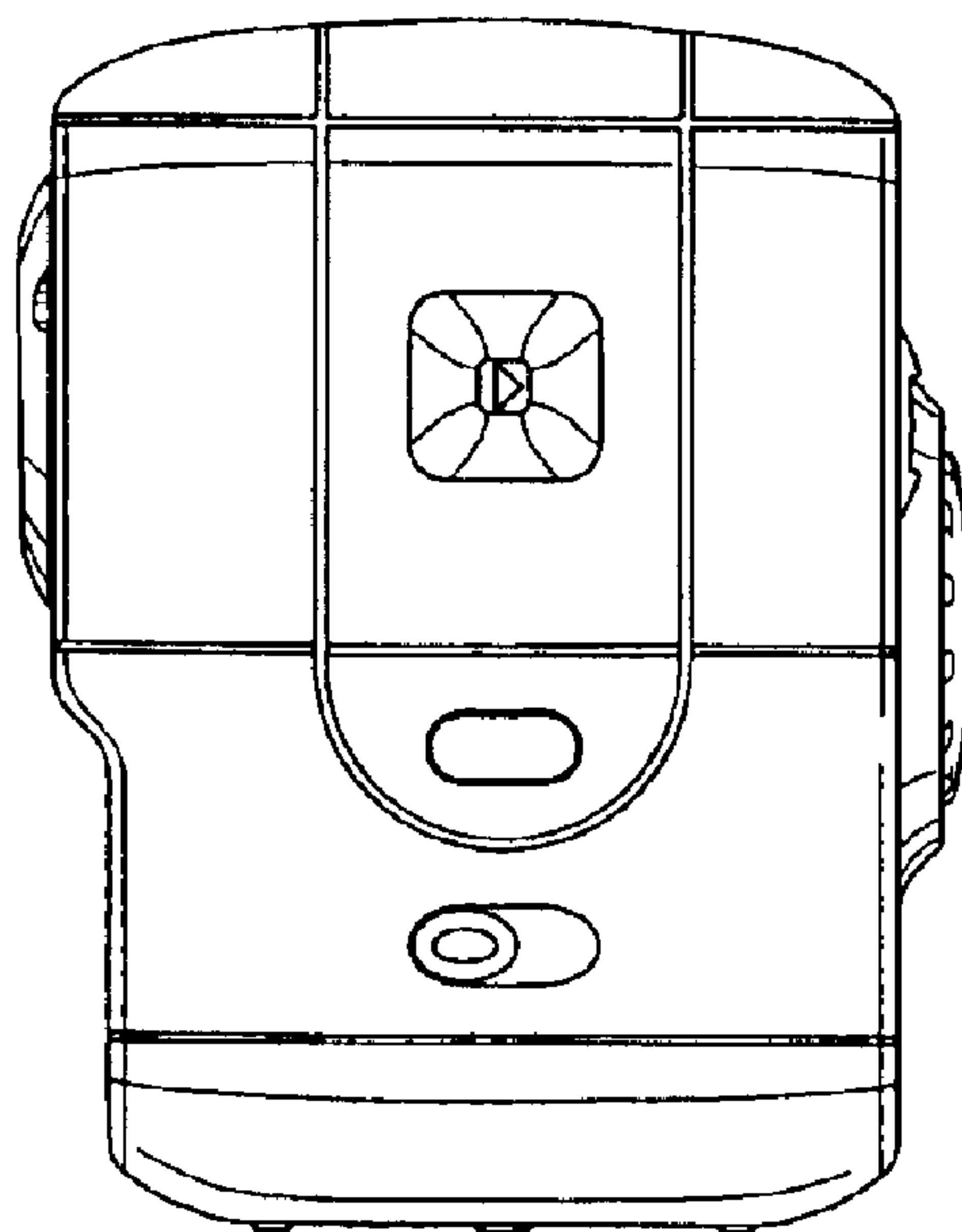
**FIG. 4**



**FIG. 5**



**FIG. 6**



**FIG. 7**