

US00D505965S

(12) **United States Design Patent**
Nishijima et al.

(10) **Patent No.:** **US D505,965 S**
(45) **Date of Patent:** **** Jun. 7, 2005**

(54) **BINOCULAR CASING**

(75) Inventors: **Yuji Nishijima**, Kashiwa (JP); **Koichi Nagata**, Saitama (JP)

(73) Assignee: **Fuji Photo Optical Co., Ltd.**, Saitama (JP)

(**) Term: **14 Years**

(21) Appl. No.: **29/195,901**

(22) Filed: **Dec. 19, 2003**

(30) **Foreign Application Priority Data**

Jun. 19, 2003 (JP) 2003-017435

(51) **LOC (8) Cl.** **16-06**

(52) **U.S. Cl.** **D16/133**

(58) **Field of Search** D16/130, 132,
D16/133; 359/408, 409, 410, 411, 412,
413, 414, 415, 416, 417, 418, 419

(56) **References Cited**

U.S. PATENT DOCUMENTS

- D148,130 S * 12/1947 Carbonara D16/133
- D242,243 S * 11/1976 Takahashi et al. D16/133
- D255,364 S * 6/1980 Lange D16/133
- D272,362 S * 1/1984 Hengst et al. D16/133

- D292,412 S * 10/1987 Janke et al. D16/133
- D295,981 S * 5/1988 Hilko D16/133
- D308,388 S * 6/1990 Addy et al. D16/133
- D312,088 S * 11/1990 Rosenfield D16/133

* cited by examiner

Primary Examiner—Paula A. Greene

(74) *Attorney, Agent, or Firm*—Young & Thompson

(57) **CLAIM**

The ornamental design for a binocular casing, as shown.

DESCRIPTION

FIG. 1 is a top, front and side perspective view of a binocular casing showing our new design;
 FIG. 2 is a front elevational view thereof;
 FIG. 3 is a rear elevational view thereof;
 FIG. 4 is a top plan view thereof;
 FIG. 5 is a bottom plan view thereof;
 FIG. 6 is a side elevational view thereof from the right of FIG. 2; and
 FIG. 7 is a side elevational view thereof from the left of FIG. 2; and,
 FIG. 8 is a top, rear and side perspective view thereof.
 The parts shown in broken line are to illustrate the environment of the present invention and form no part of the claimed design.

1 Claim, 4 Drawing Sheets

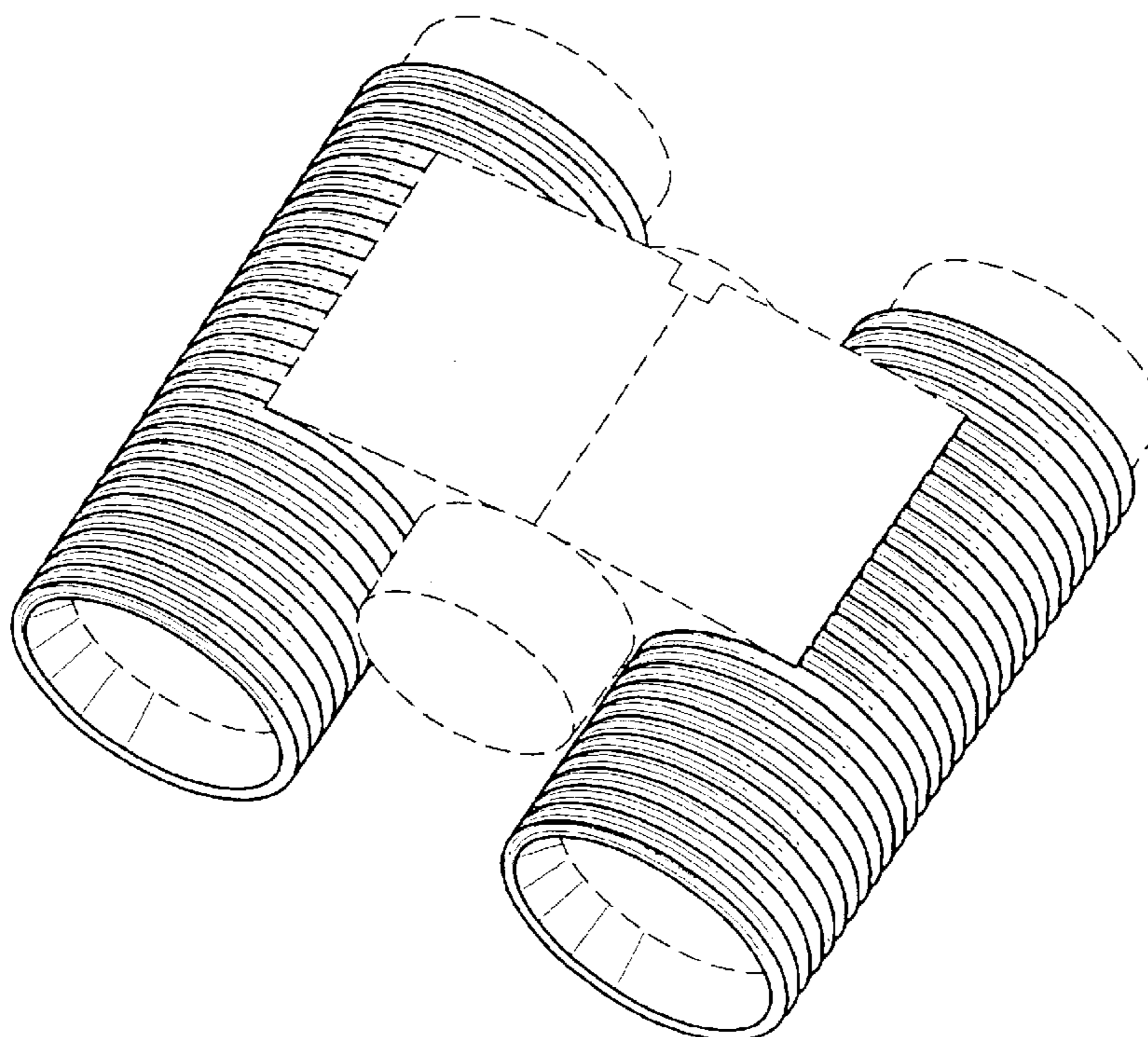


FIG.1

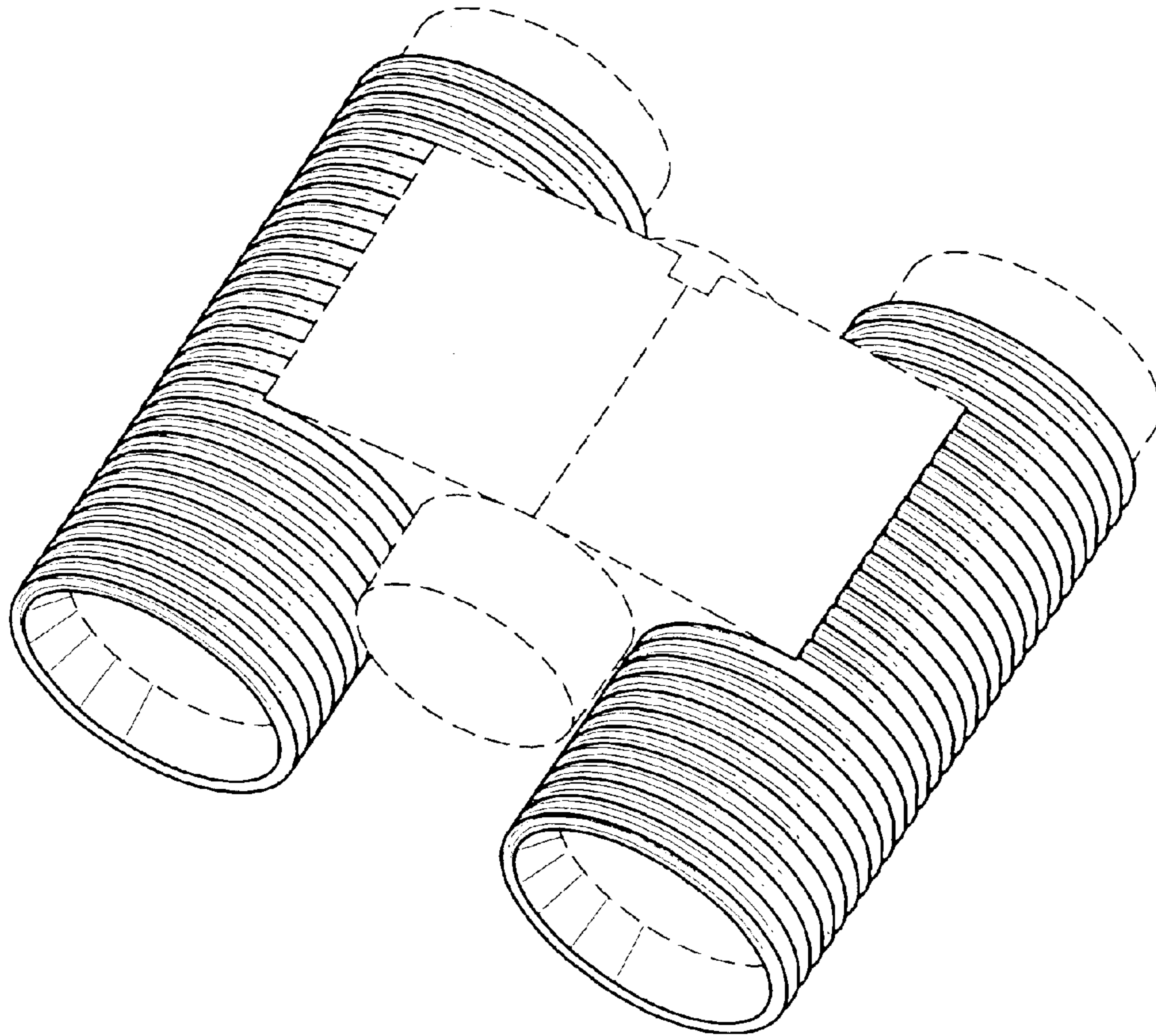


FIG.2

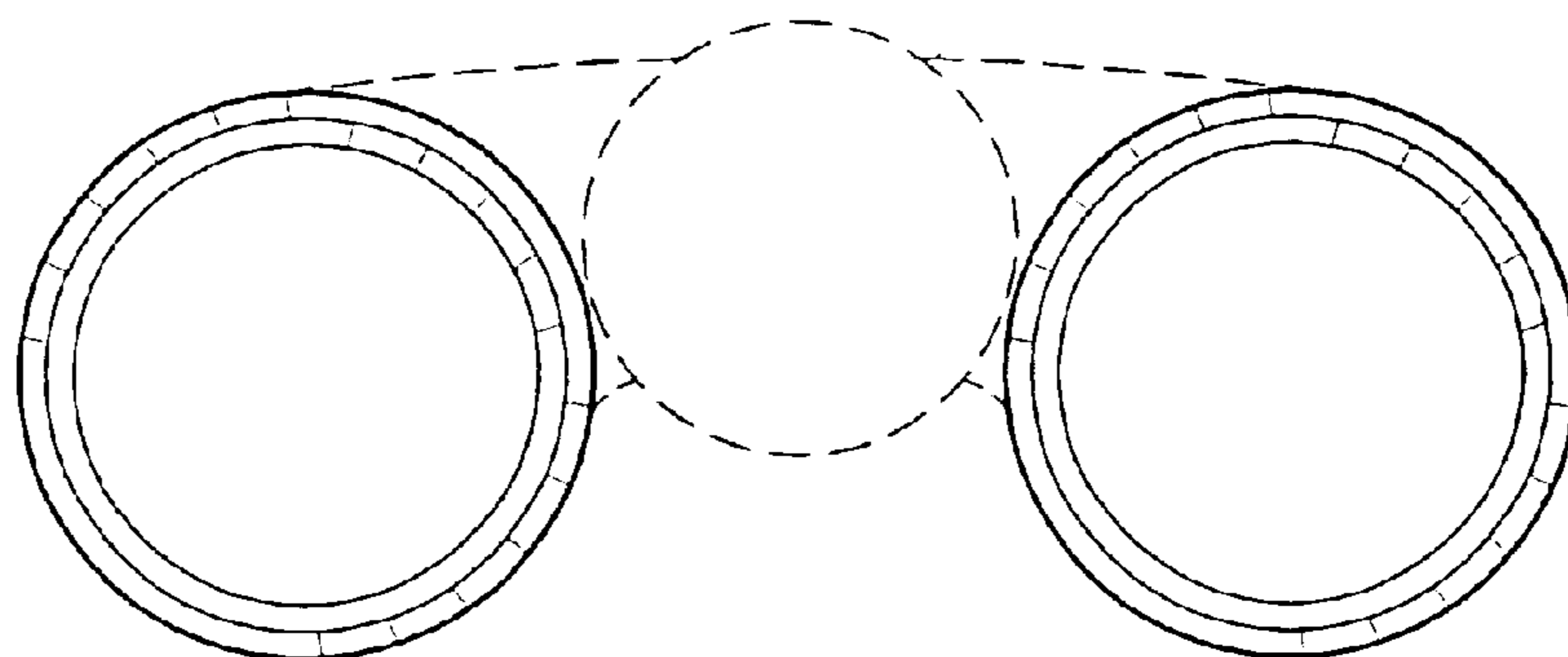


FIG.3

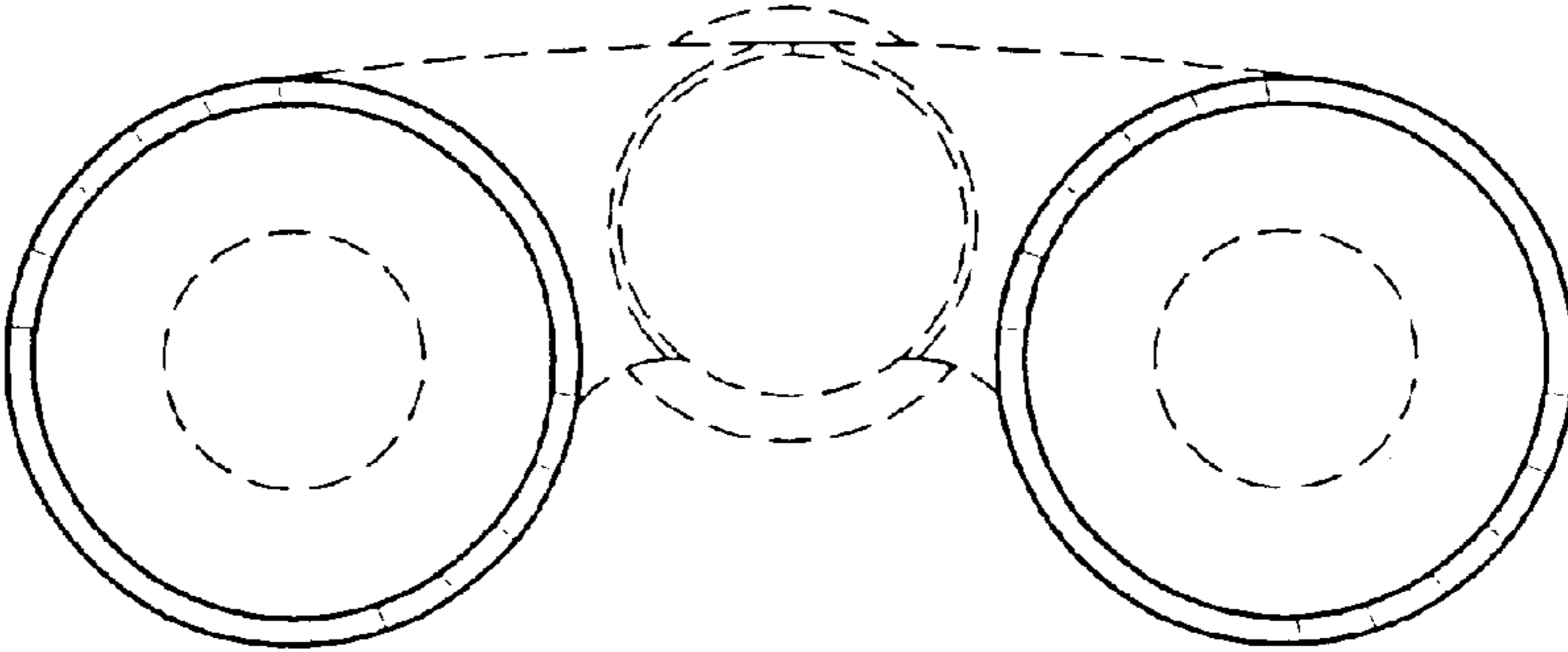


FIG4

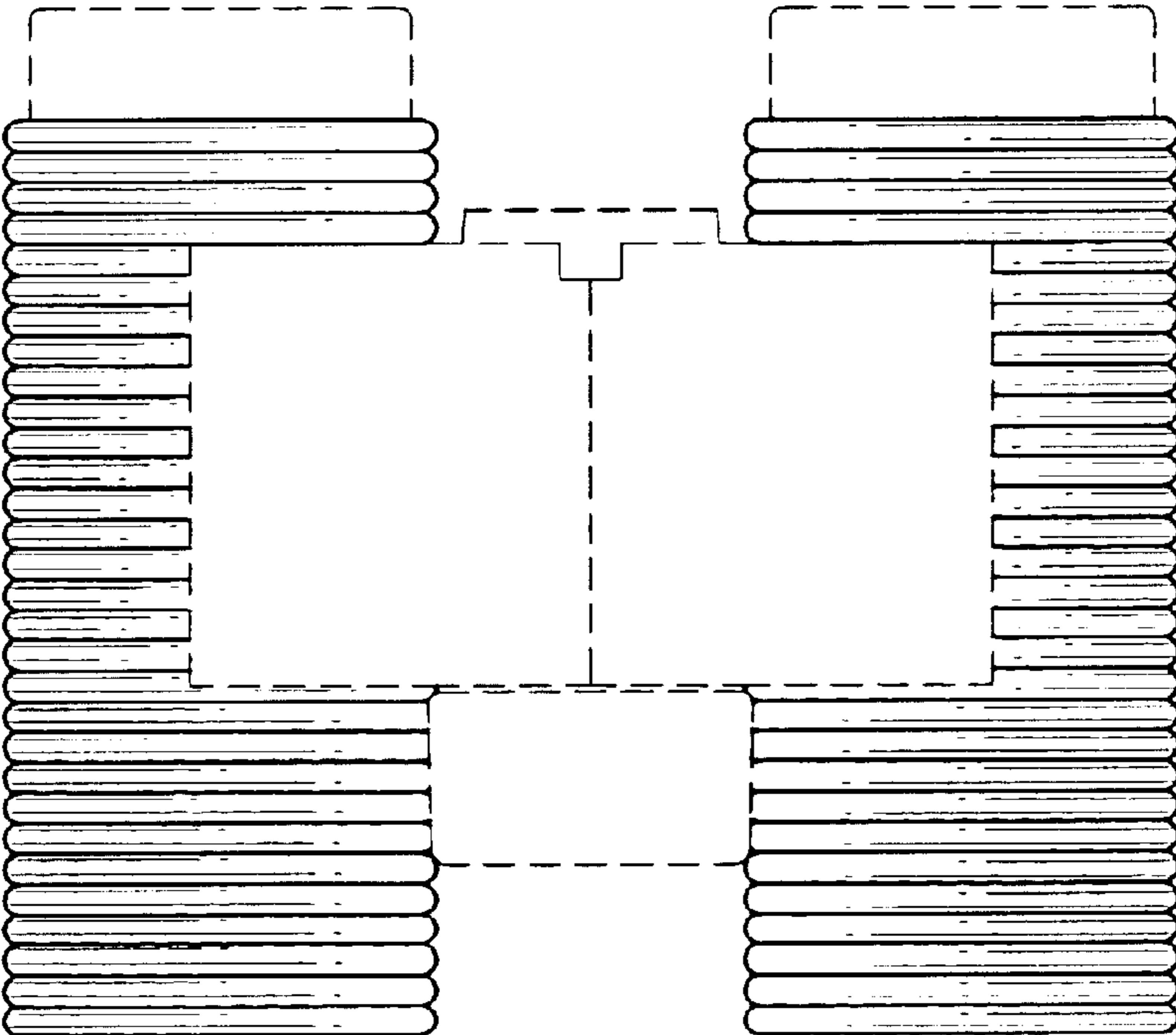


FIG.5

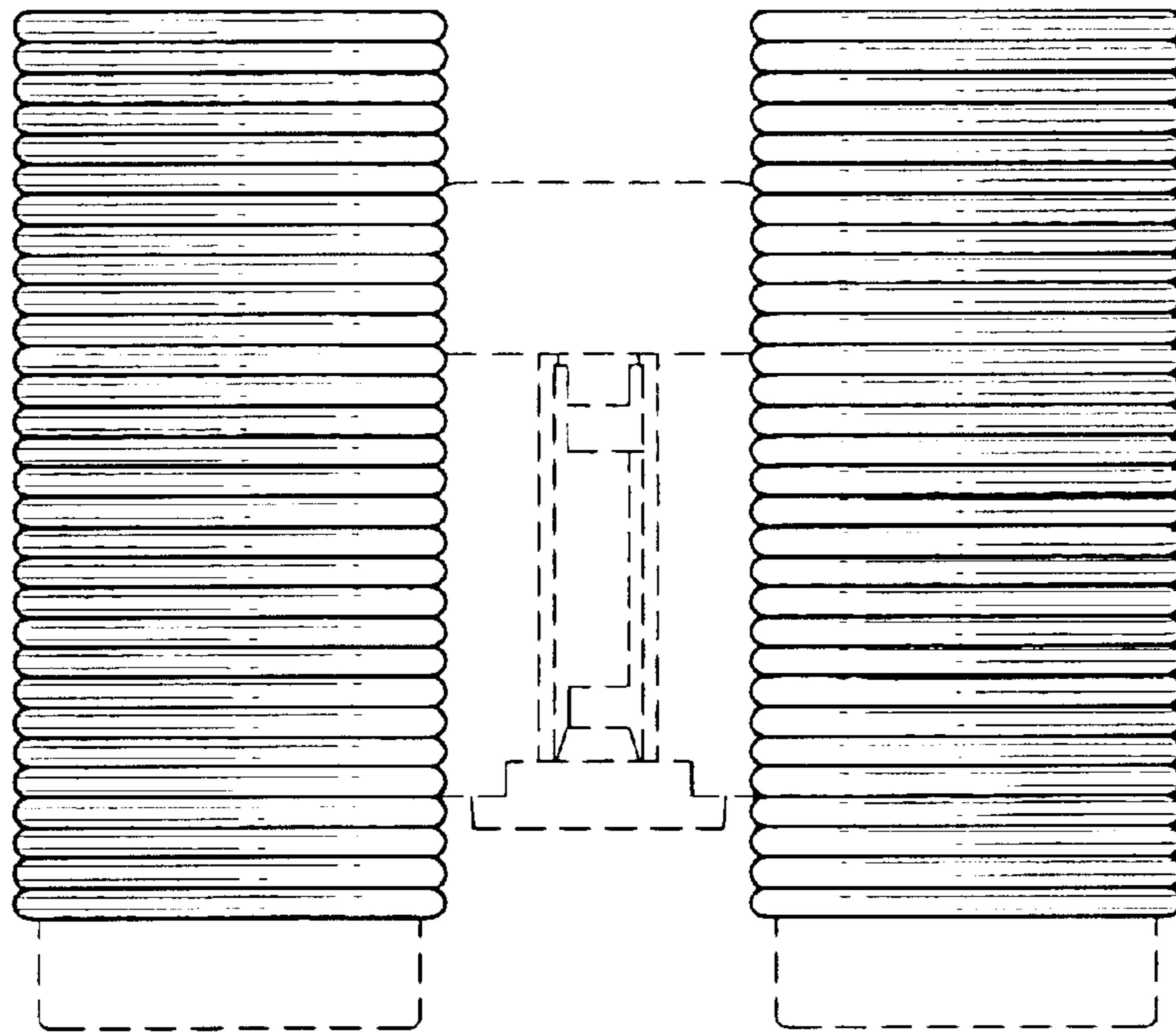


FIG.6

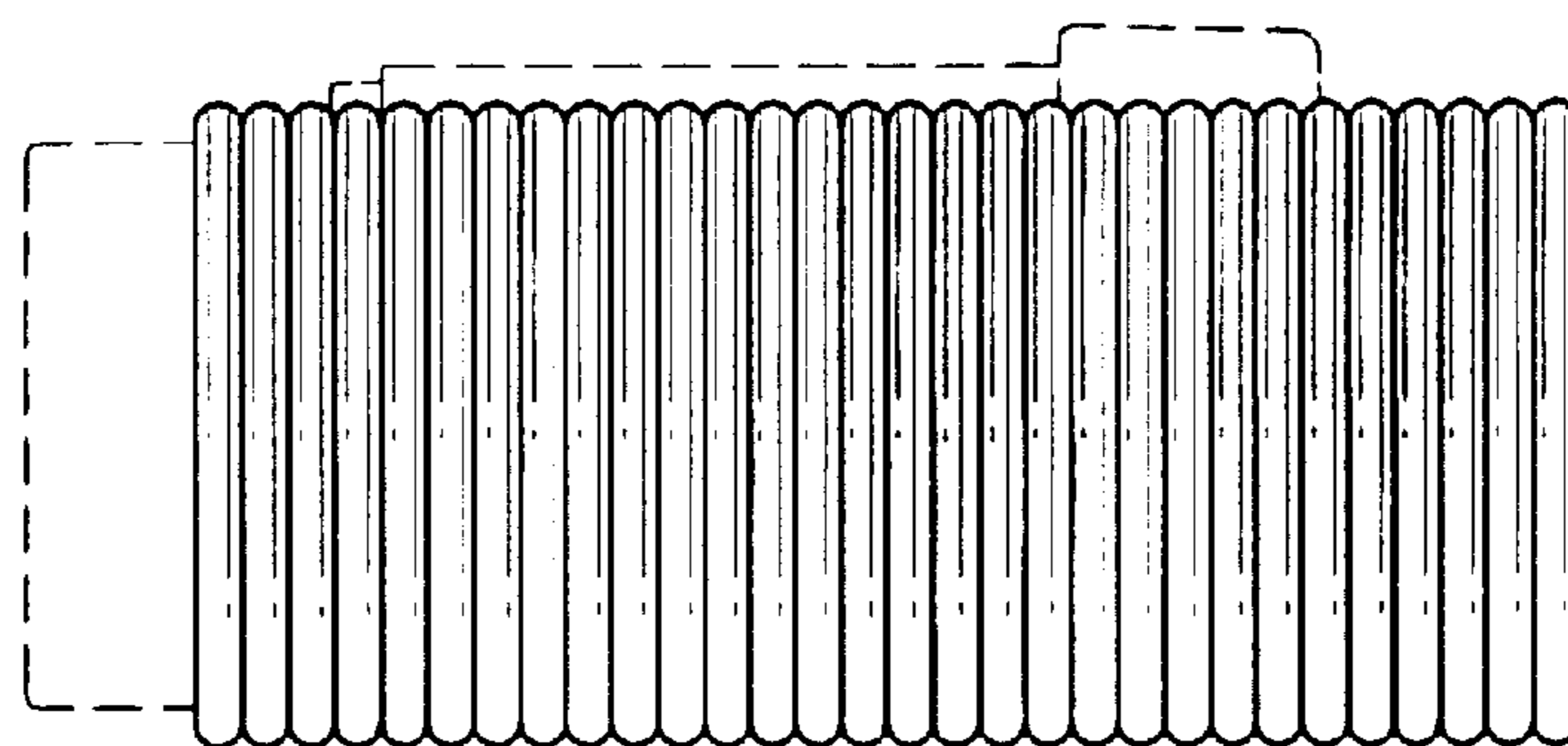


FIG.7

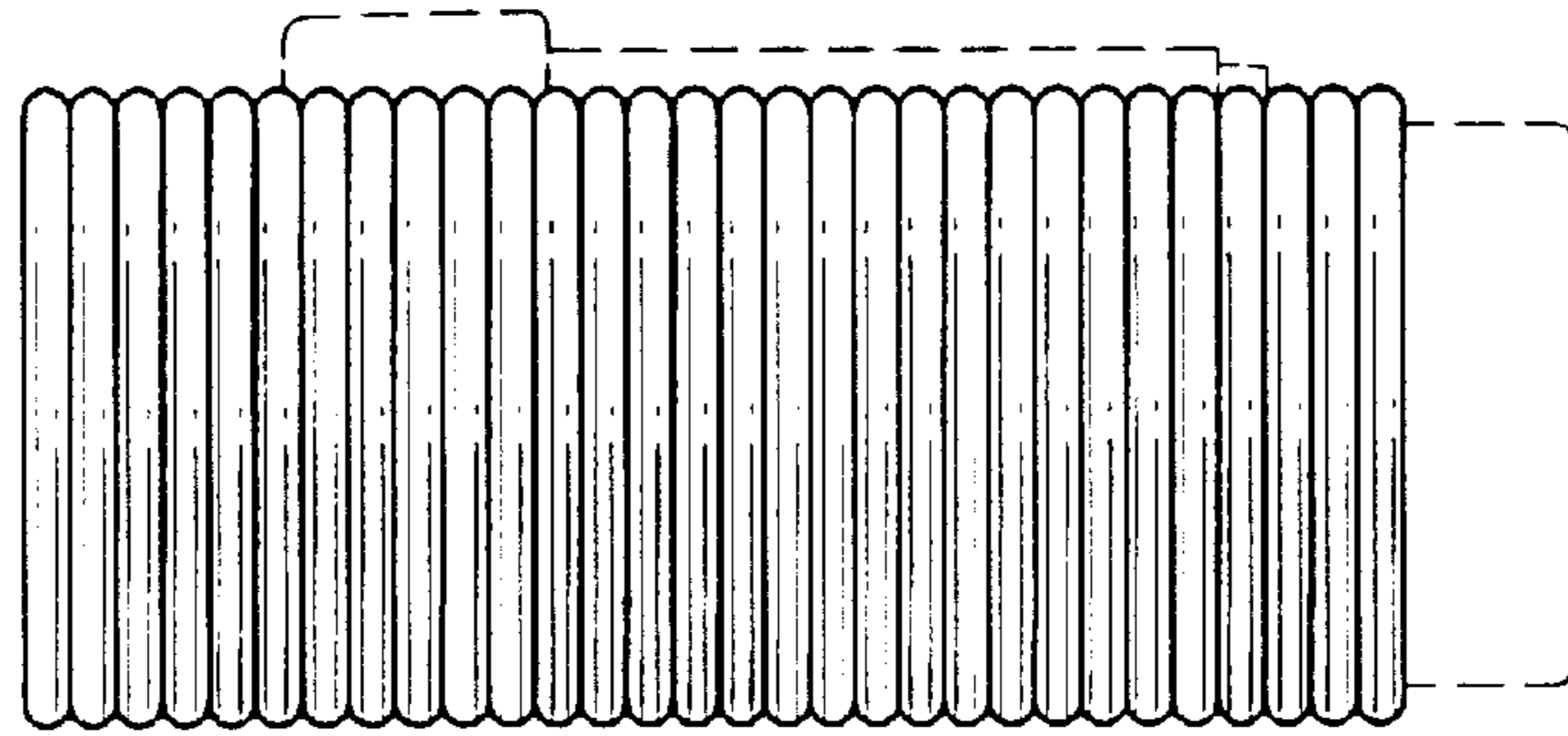


FIG.8

