



US00D505963S

(12) **United States Design Patent**
Conway et al.

(10) **Patent No.:** **US D505,963 S**
(45) **Date of Patent:** **** Jun. 7, 2005**

(54) **ELECTRODE FOR A PLASMA ARC TORCH**

D446,530 S * 8/2001 Kuraoka et al. D15/144
6,559,407 B2 * 5/2003 Chancey et al. 219/121.47
D496,376 S * 9/2004 Colson, Jr. D15/144

(75) Inventors: **Christopher J. Conway**, Wilmot, NH (US); **Milind G. Kelkar**, Pune (IN); **Kevin J. Kinerson**, Corinth, VT (US); **Mark Gugliotta**, Concord, NH (US); **Darrin H. MacKenzie**, Windsor, VT (US)

* cited by examiner

Primary Examiner—Antoine D. Davis
(74) *Attorney, Agent, or Firm*—Harness, Dickey & Pierce, P.L.C.

(73) Assignee: **Thermal Dynamics Corporation**, West Lebanon, NH (US)

(57) **CLAIM**

(**) Term: **14 Years**

The ornamental design for an electrode for a plasma arc torch, as shown and described.

(21) Appl. No.: **29/197,681**

DESCRIPTION

(22) Filed: **Jan. 16, 2004**

FIG. 1 is a perspective view of the electrode for a plasma arc torch;

(51) **LOC (8) Cl.** **15-09**

FIG. 2 is a perspective view from the distal end thereof;

(52) **U.S. Cl.** **D15/139**

FIG. 3 is a perspective view from the proximal end thereof;

(58) **Field of Search** D15/139; 219/121.44–121.5

FIG. 4 is a side elevation view thereof;

(56) **References Cited**

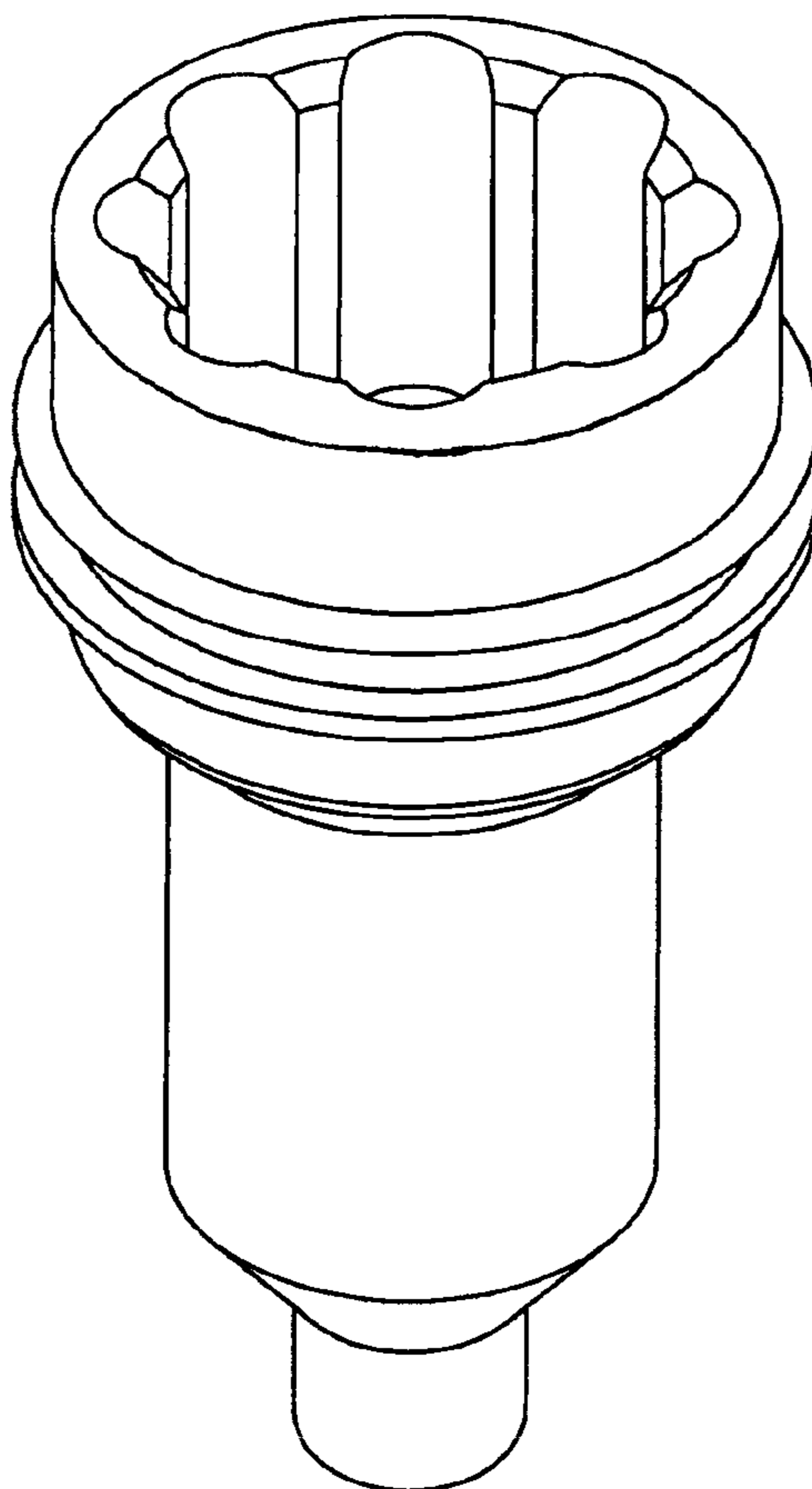
FIG. 5 is a top plan view thereof; and,

U.S. PATENT DOCUMENTS

FIG. 6 is a bottom plan view thereof.

D362,860 S * 10/1995 Carkhuff D15/144

1 Claim, 6 Drawing Sheets



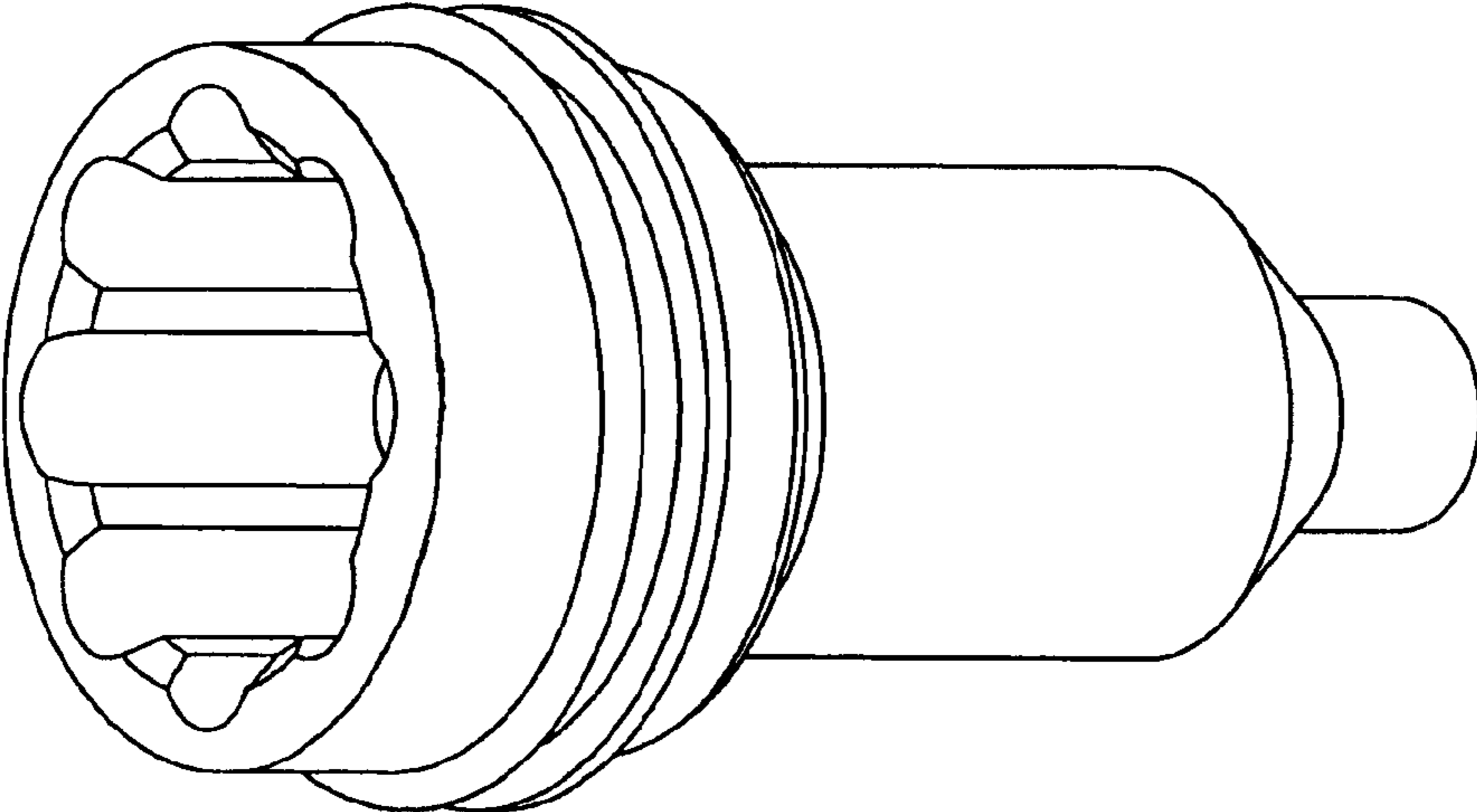


FIG. 1

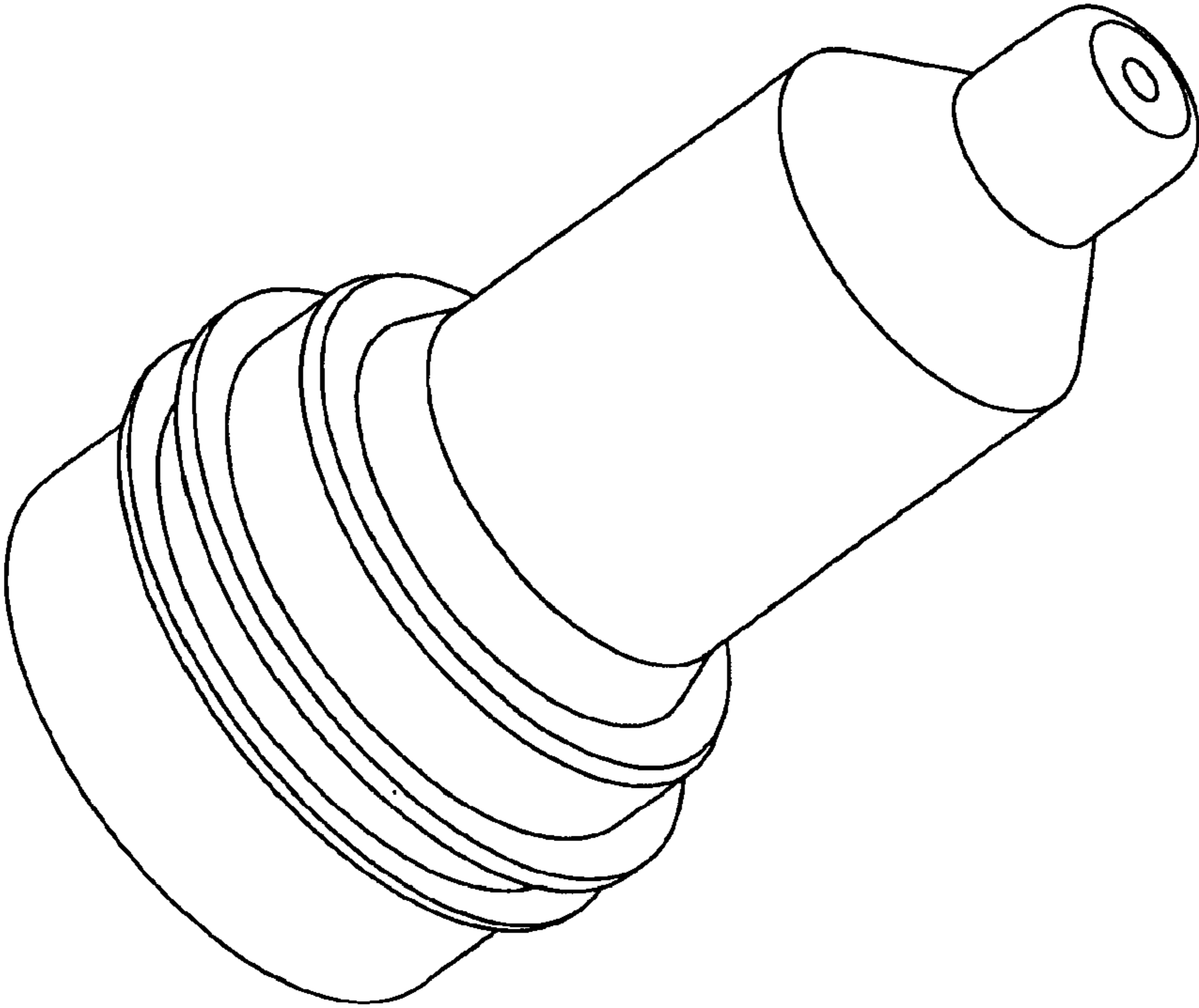


FIG. 2

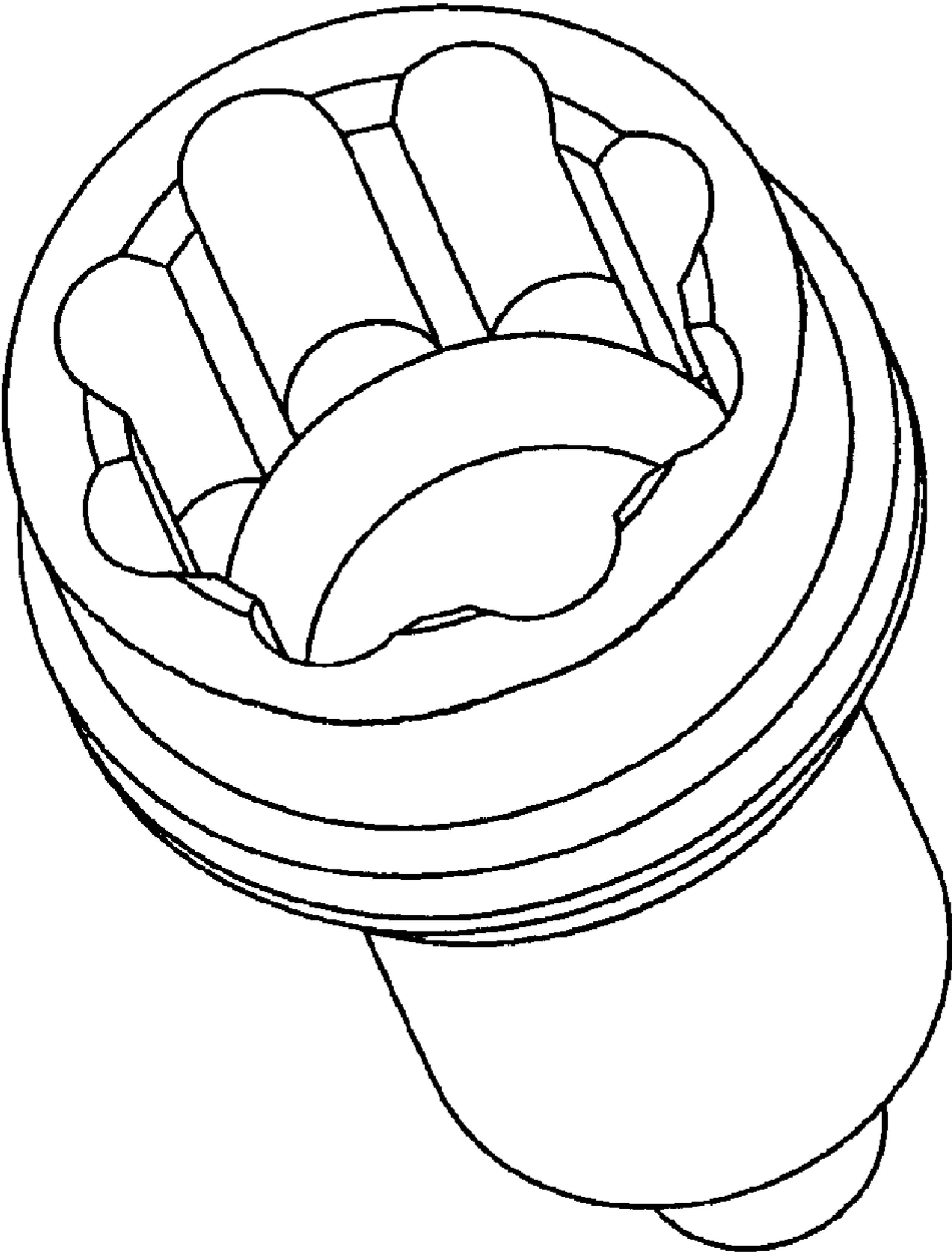


FIG. 3

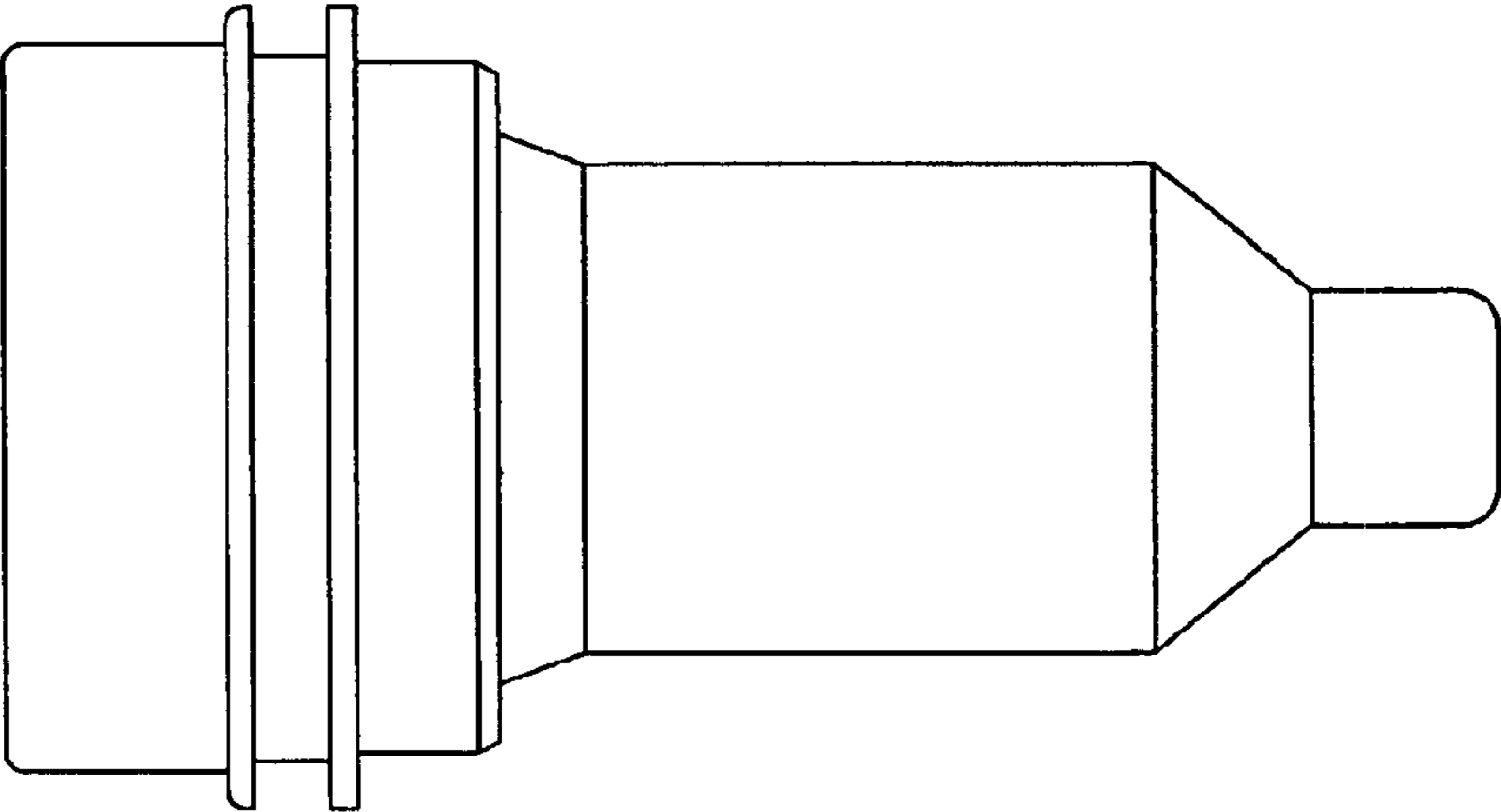


FIG. 4

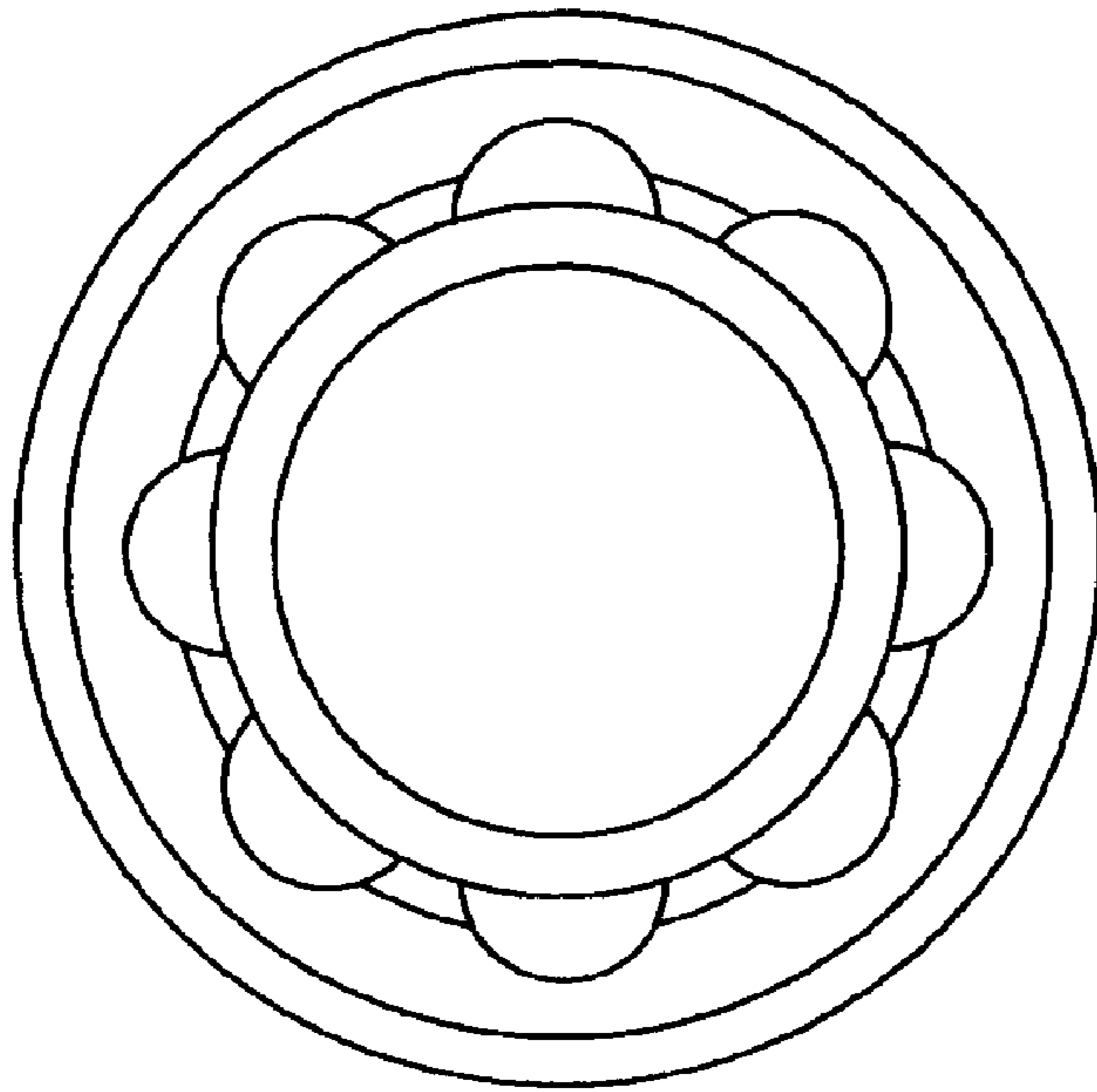


FIG. 5

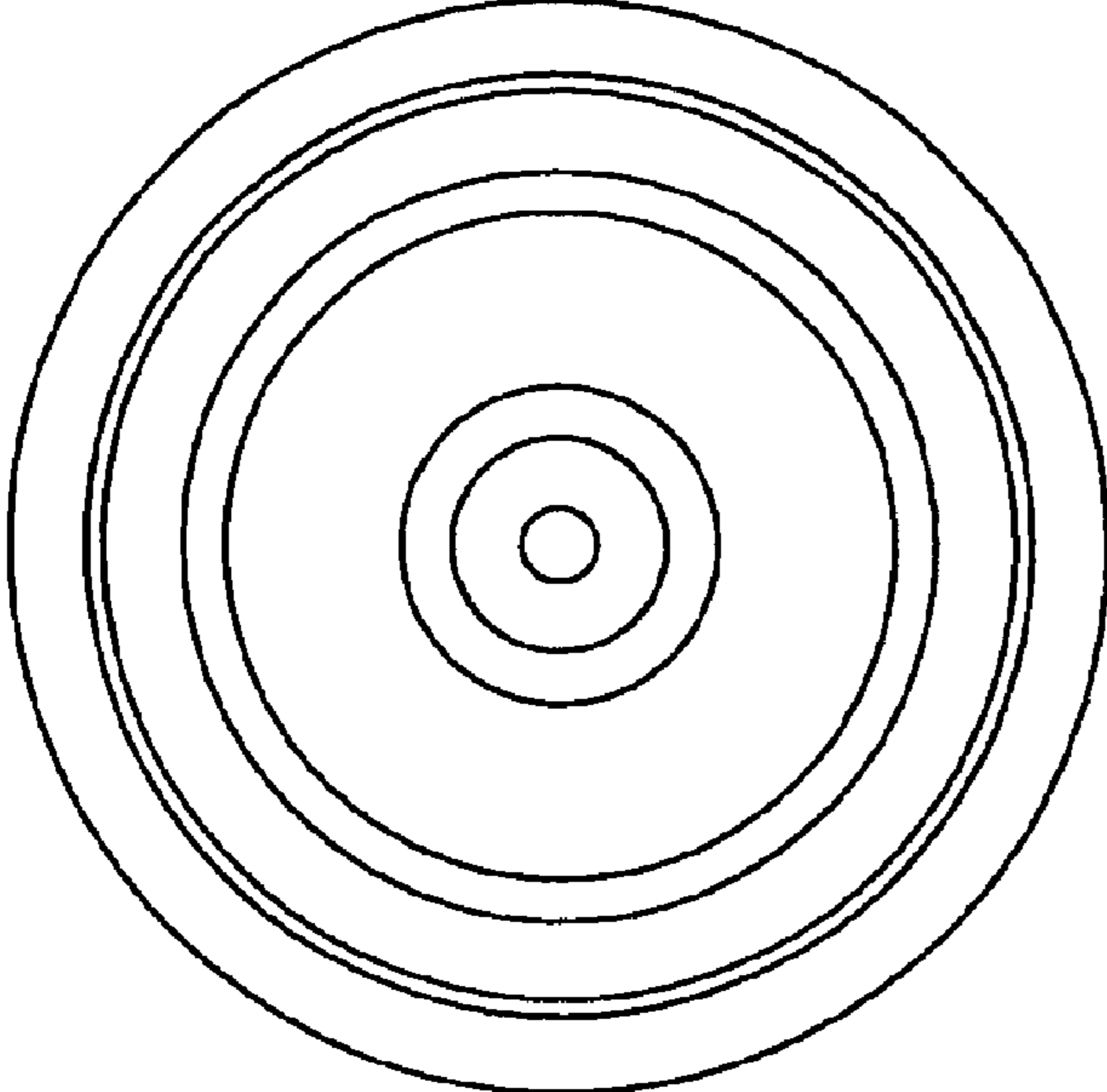


FIG. 6