

US00D505960S

(12) **United States Design Patent**  
Steele et al.

(10) **Patent No.:** **US D505,960 S**  
(45) **Date of Patent:** **\*\* Jun. 7, 2005**

(54) **PEDESTAL HOME KARAOKE SYSTEM**  
(75) Inventors: **Edward Steele**, Coconut Creek, FL (US); **John David Steele**, Coconut Creek, FL (US); **Philip J. D'A. Remedios**, Orlando, FL (US); **Jerry D. Elmore**, Orlando, FL (US)

D461,469 S \* 8/2002 Wang et al. .... D14/299  
D468,718 S \* 1/2003 Cuvelier ..... D14/168  
D469,752 S \* 2/2003 Cuvelier ..... D14/168  
6,535,269 B2 \* 3/2003 Sherman et al. .... 352/6  
6,563,038 B2 \* 5/2003 Kikuchi ..... 84/610  
6,645,067 B1 \* 11/2003 Okita et al. .... 463/7  
6,661,496 B2 \* 12/2003 Sherman et al. .... 352/6

\* cited by examiner

(73) Assignee: **The Singing Machine Company**, Coconut Creek, FL (US)

*Primary Examiner*—Prabhakar Deshmukh  
(74) *Attorney, Agent, or Firm*—Dinh & Associates

(\*\*) Term: **14 Years**

(57) **CLAIM**

(21) Appl. No.: **29/196,491**

The ornamental design for a pedestal home karaoke system, as shown.

(22) Filed: **Dec. 29, 2003**

**DESCRIPTION**

(51) **LOC (8) Cl.** ..... **14-03**  
(52) **U.S. Cl.** ..... **D14/496; D14/168**  
(58) **Field of Search** ..... D14/496, 129, D14/137, 155, 168, 181, 185, 188, 299; 434/307 A, 307 R, 309, 318; 352/1, 6-10; 84/609-614, 634-638, DIG. 17, DIG. 6; 455/344-351

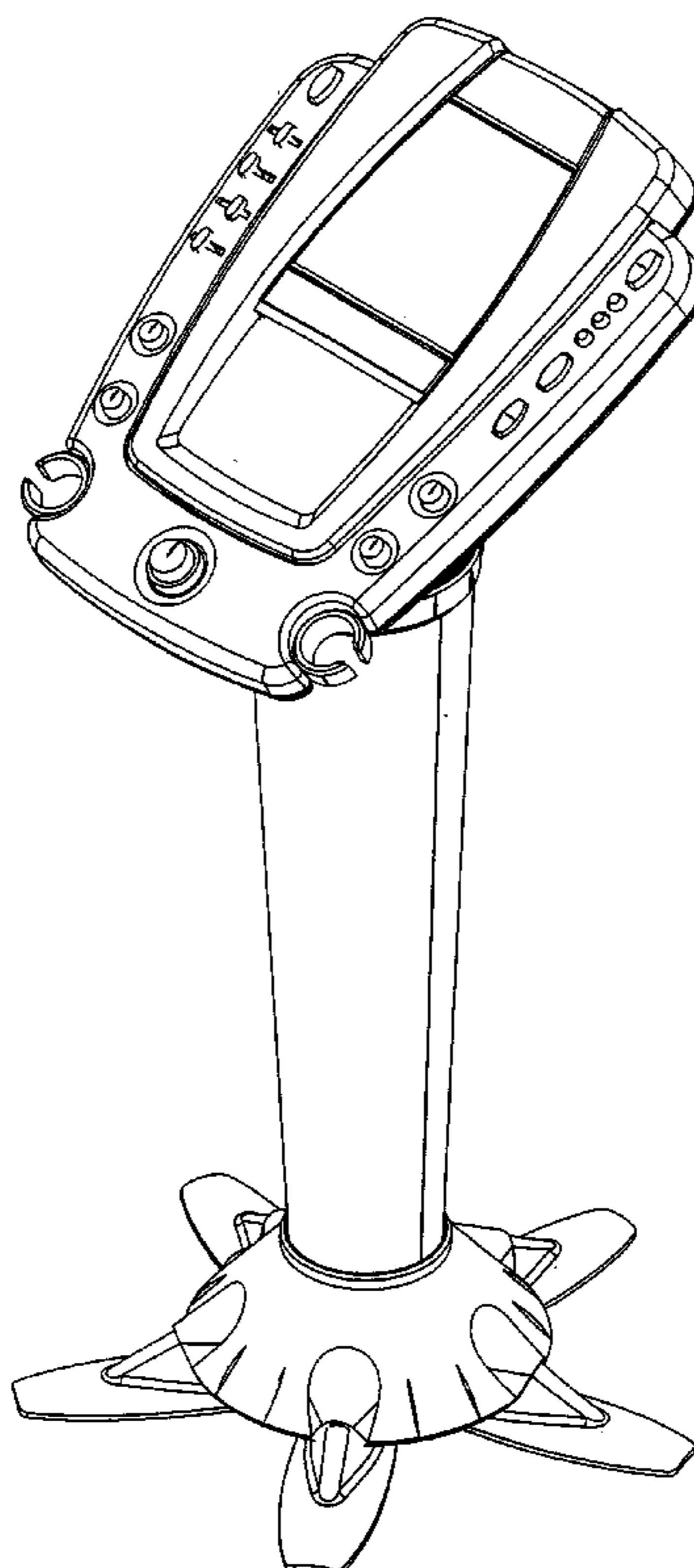
FIG. 1 is perspective view of the pedestal home karaoke system;  
FIG. 2 is a front view of the pedestal home karaoke system;  
FIG. 3 is a rear view of the pedestal home karaoke system;  
FIG. 4 is a right side view of the pedestal home karaoke system;  
FIG. 5 is a left side view of the pedestal home karaoke system;  
FIG. 6 is a top view of the pedestal home karaoke system;  
and,  
FIG. 7 is a bottom view of the pedestal home karaoke system.  
The broken lines are for illustrative purpose only and form no part of the claimed design.

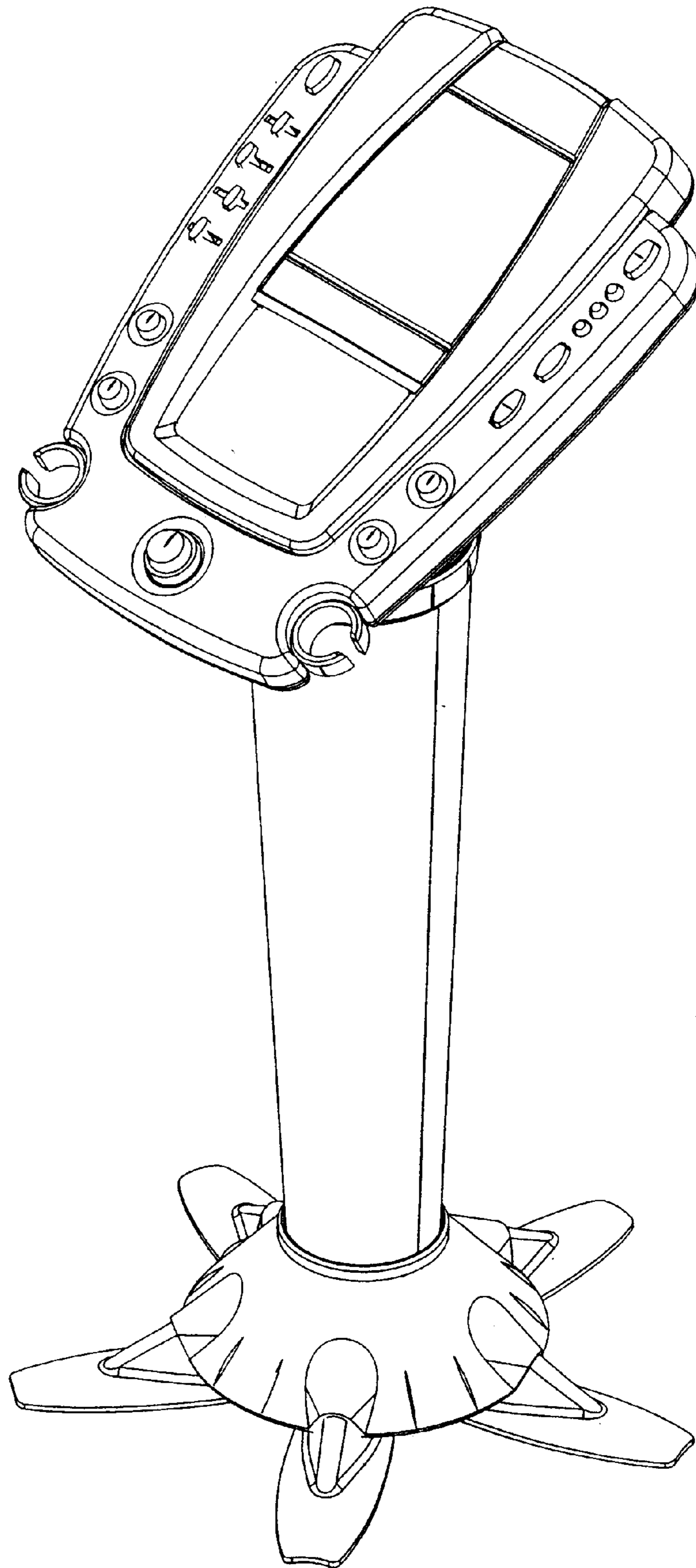
(56) **References Cited**

**U.S. PATENT DOCUMENTS**

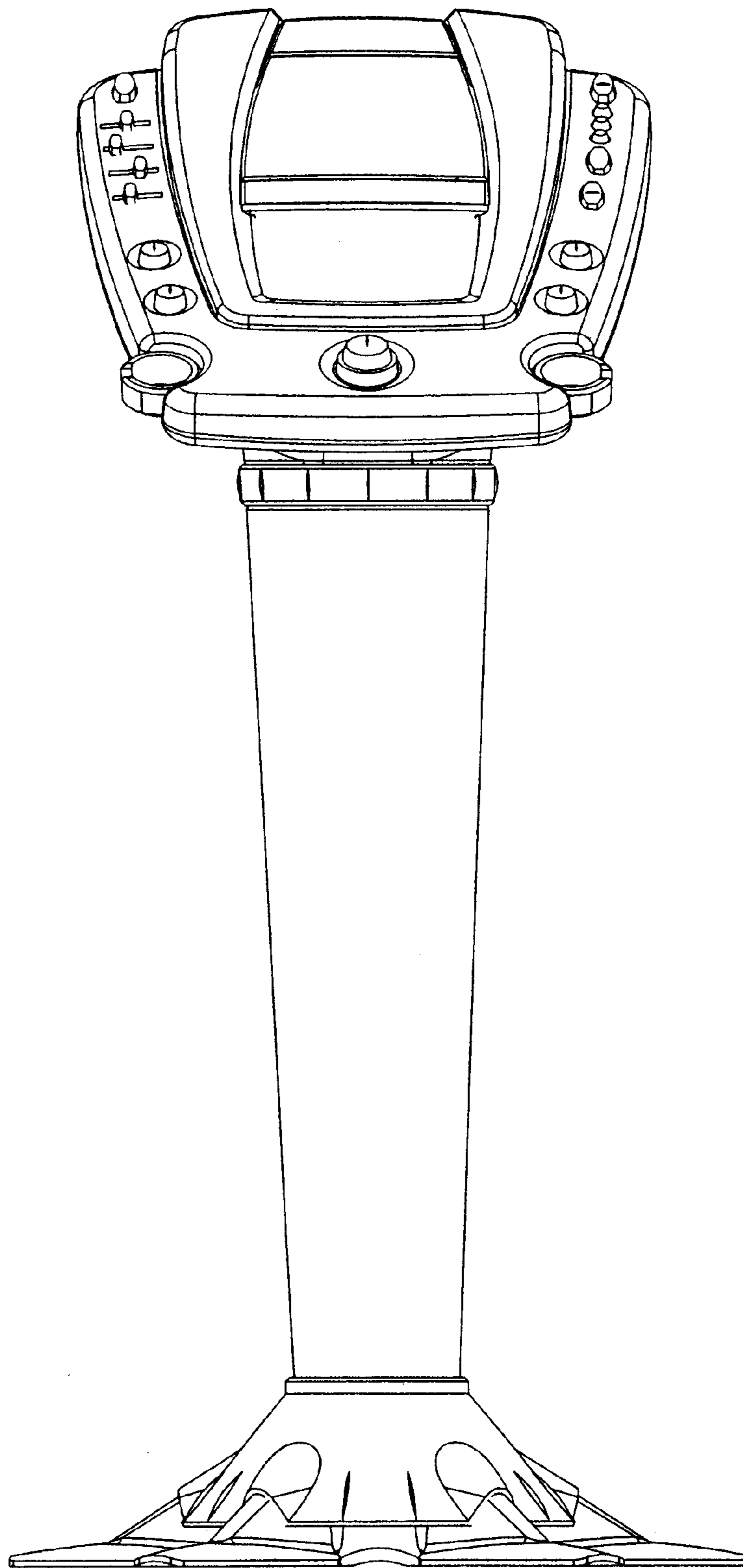
D331,238 S \* 11/1992 Lewis ..... D14/168  
D379,454 S \* 5/1997 Kruse et al. .... D14/496  
6,025,553 A \* 2/2000 Lee ..... 84/610  
D423,821 S \* 5/2000 Crump ..... D6/466  
6,086,380 A \* 7/2000 Chu et al. .... 434/307 A  
6,328,570 B1 \* 12/2001 Ng ..... 434/307 A

**1 Claim, 7 Drawing Sheets**

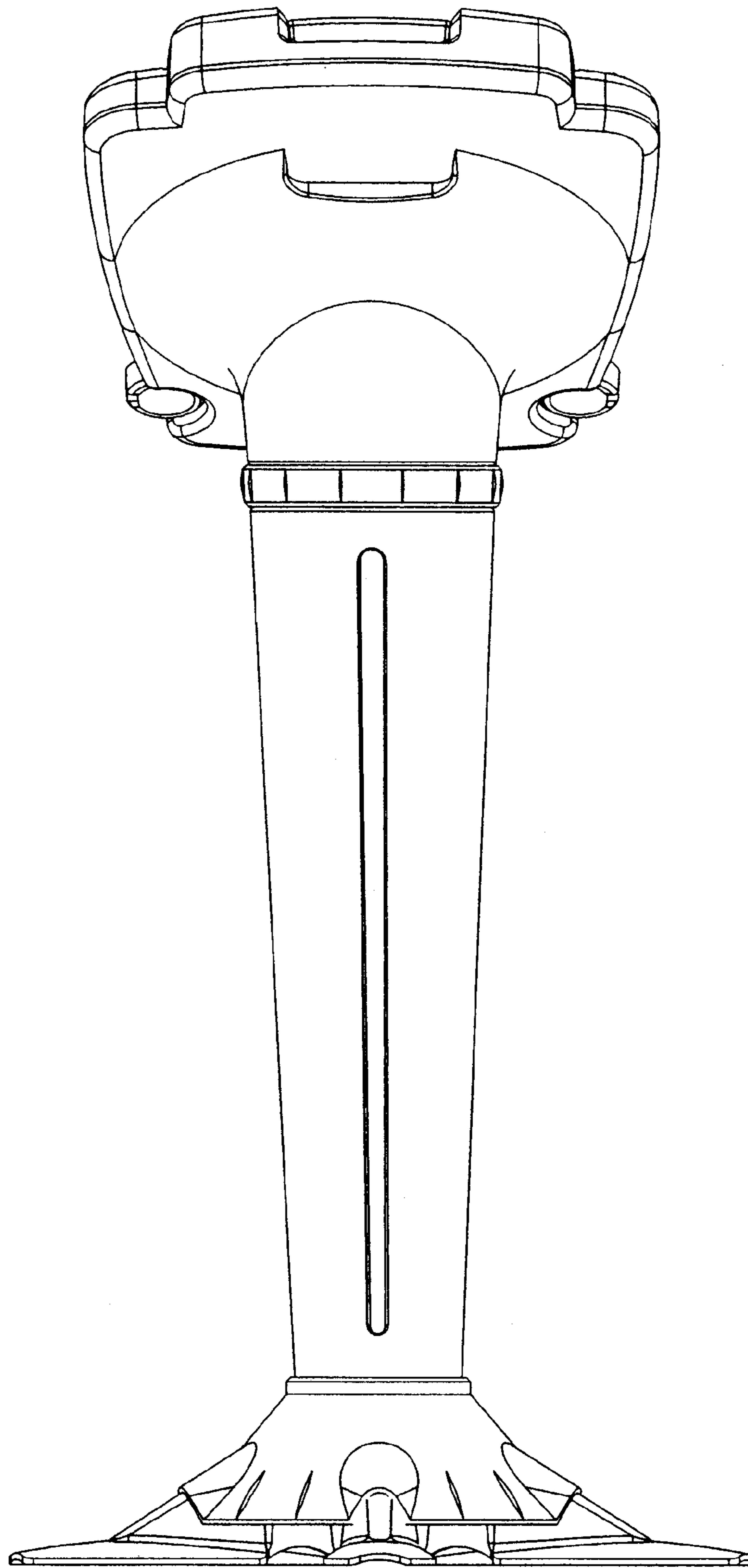




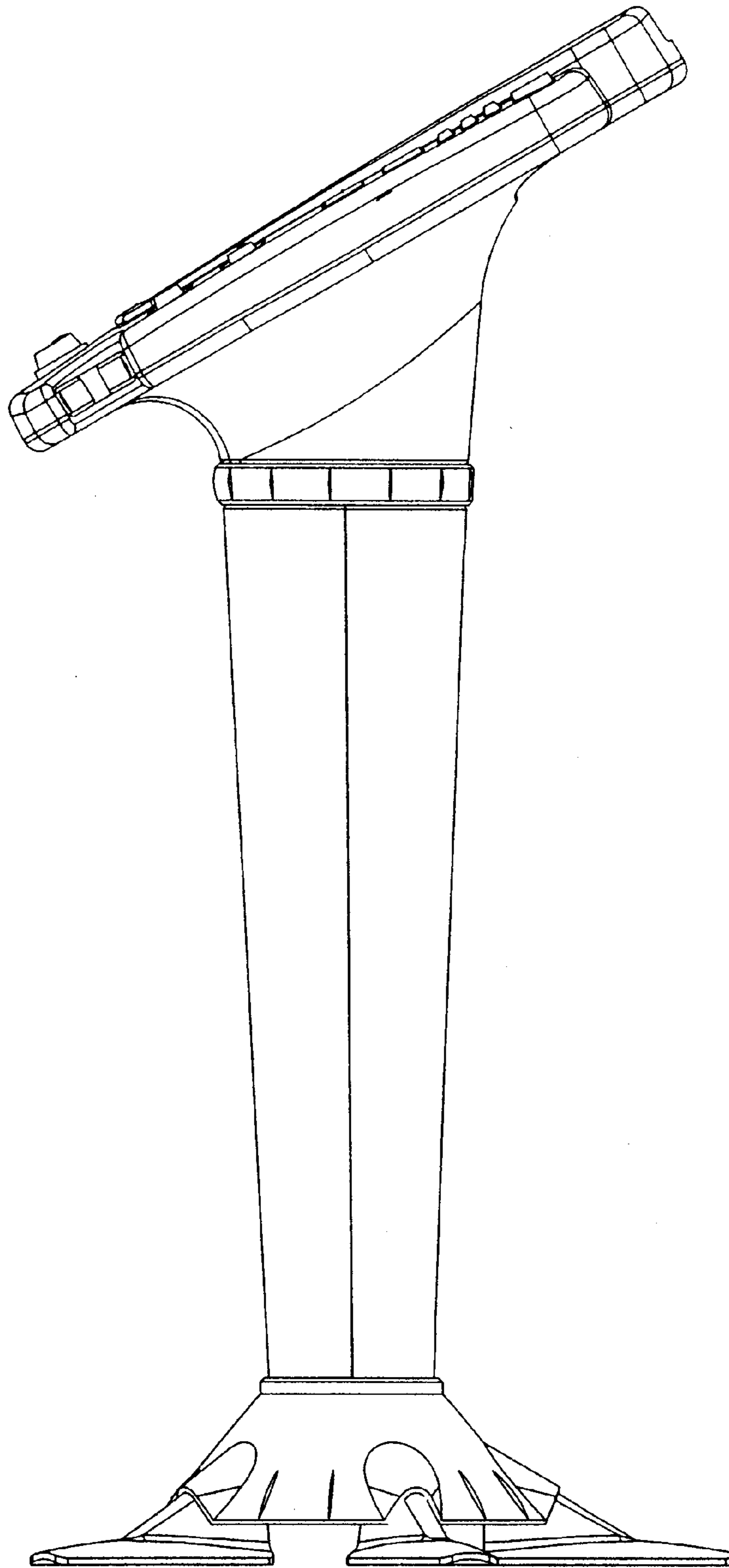
**FIG. 1**



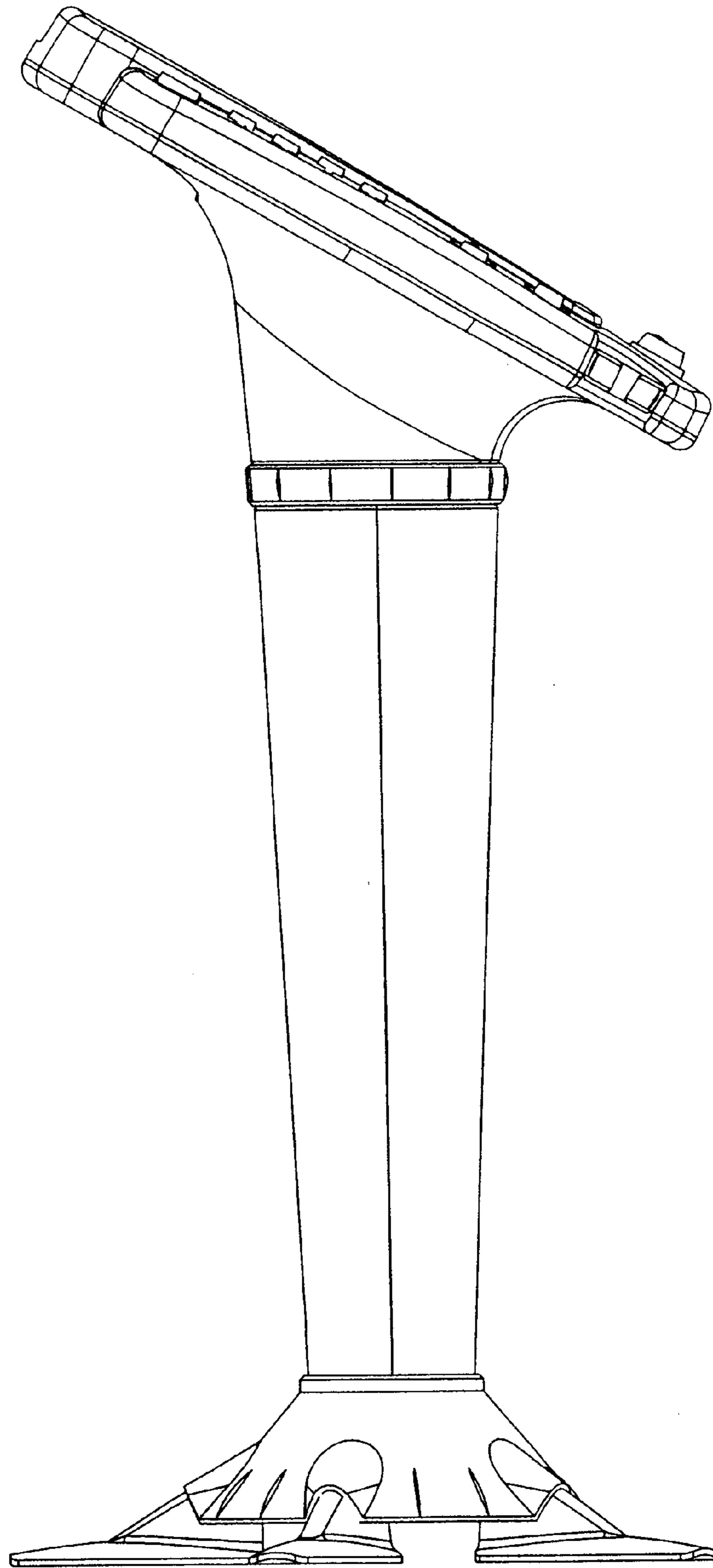
**FIG. 2**



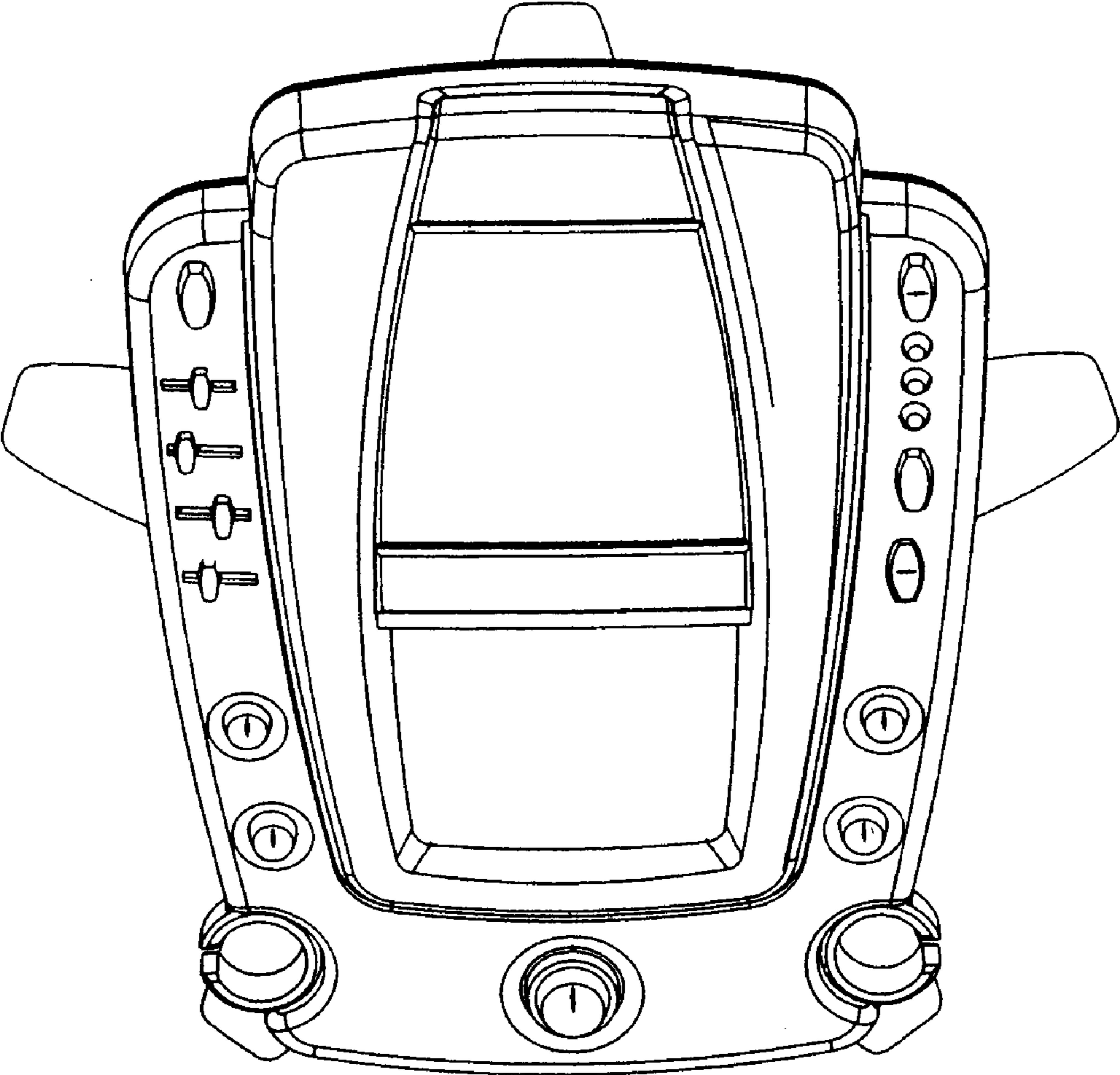
**FIG. 3**



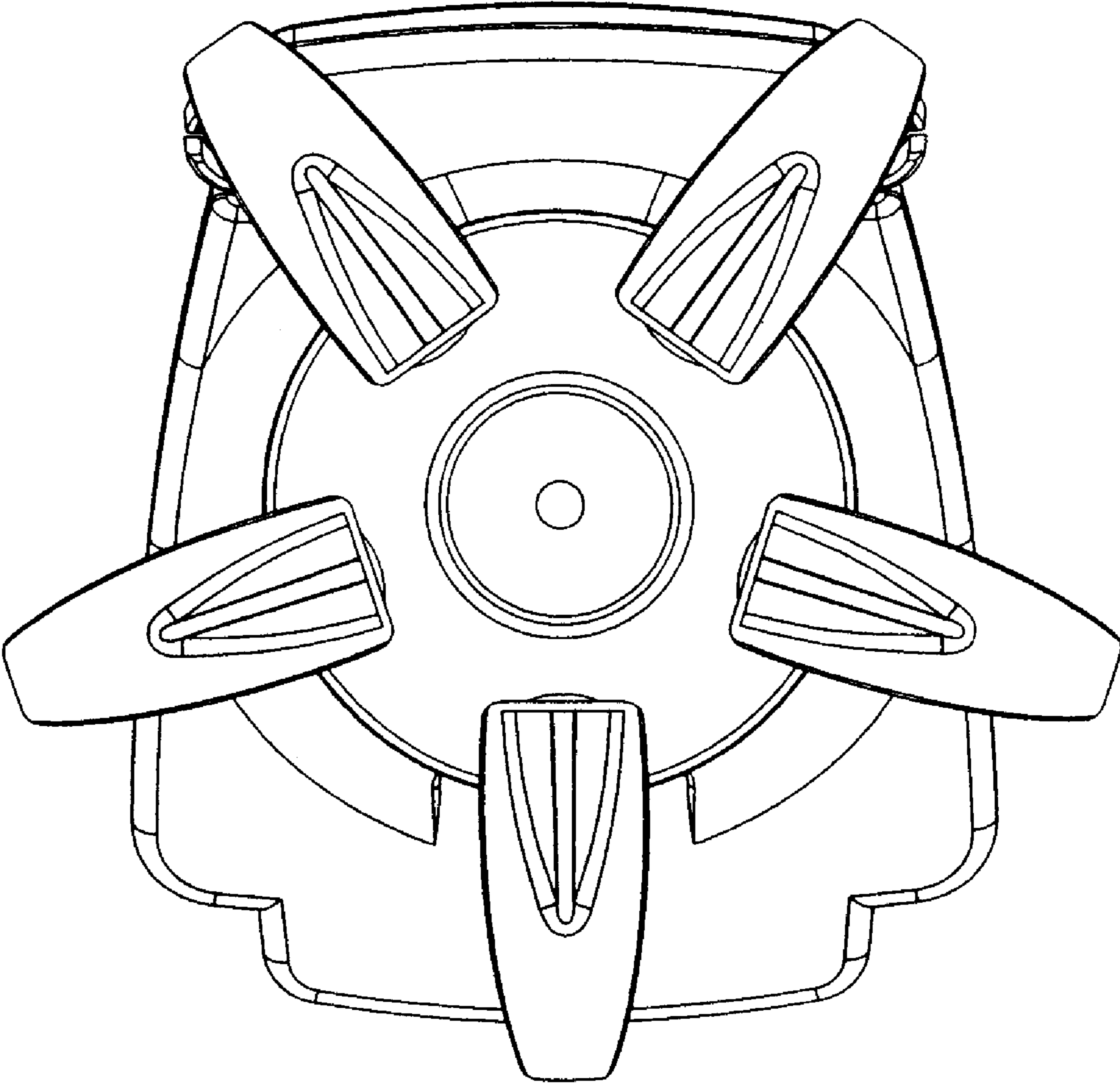
**FIG. 4**



**FIG. 5**



**FIG. 6**



**FIG. 7**