

US00D505959S

(12) **United States Design Patent** (10) **Patent No.:** **US D505,959 S**
Yamada et al. (45) **Date of Patent:** **** Jun. 7, 2005**

(54) **IC MEMORY CARD**

FOREIGN PATENT DOCUMENTS

(75) Inventors: **Hiroyuki Yamada**, Hirakata (JP);
Yutaka Nakamura, Kyoto (JP);
Hiroyuki Sakamoto, Oume (JP); **Hem Takiar**, Fremont, CA (US); **Robert Miller**, San Jose, CA (US)

JP 1085565 9/2000

* cited by examiner

Primary Examiner—Kay H. Chin

(74) *Attorney, Agent, or Firm*—Brinks Hofer Gilson & Lione

(73) Assignees: **Matsushita Electric Industrial Co., Ltd.** (JP); **Kabushiki Kaisha Toshiba** (JP); **SanDisk Corporation**, Sunnyvale, CA (US)

(57) **CLAIM**

The ornamental design for an IC memory card, as shown and described as shown.

(**) Term: **14 Years**

DESCRIPTION

(21) Appl. No.: **29/169,130**

FIG. 1 is a perspective view of the first embodiment of an IC memory card showing our new design; FIG. 2 is a front elevational view thereof; FIG. 3 is a rear elevational view thereof; FIG. 4 is a left side view thereof; FIG. 5 is a right side view thereof; FIG. 6 is a top plan view thereof; FIG. 7 is a bottom plan view thereof; FIG. 8 is a perspective view of a second embodiment of the IC memory card; FIG. 9 is a front elevational view of FIG. 8; FIG. 10 is a rear elevational view of FIG. 8; FIG. 11 is a left side elevational view of FIG. 8; FIG. 12 is a right side elevational view of FIG. 8; FIG. 13 is a top plan view of FIG. 8; and, FIG. 14 is a bottom plan view of FIG. 8.

(22) Filed: **Oct. 15, 2002**

(51) **LOC (8) Cl.** **14-02**

(52) **U.S. Cl.** **D14/436**

(58) **Field of Search** D14/432-439,
D14/478-480; 361/736-737, 686, 752;
257/678, 679; 40/124.01; 283/75-76, 901;
235/489, 495, 441-443, 375; 174/52.1;
439/135, 140, 76.1

The details shown in broken lines in FIGS. 1, 2, 8 and 9 are for illustrative purposes only and form no part of the claimed design.

(56) **References Cited**

U.S. PATENT DOCUMENTS

D444,473 S * 7/2001 Okamoto et al. D14/436
D445,111 S 7/2001 Okamoto et al.
D446,525 S * 8/2001 Okamoto et al. D14/436
D475,056 S * 5/2003 Taniguchi et al. D14/436
D476,011 S * 6/2003 Taniguchi et al. D14/436

1 Claim, 14 Drawing Sheets

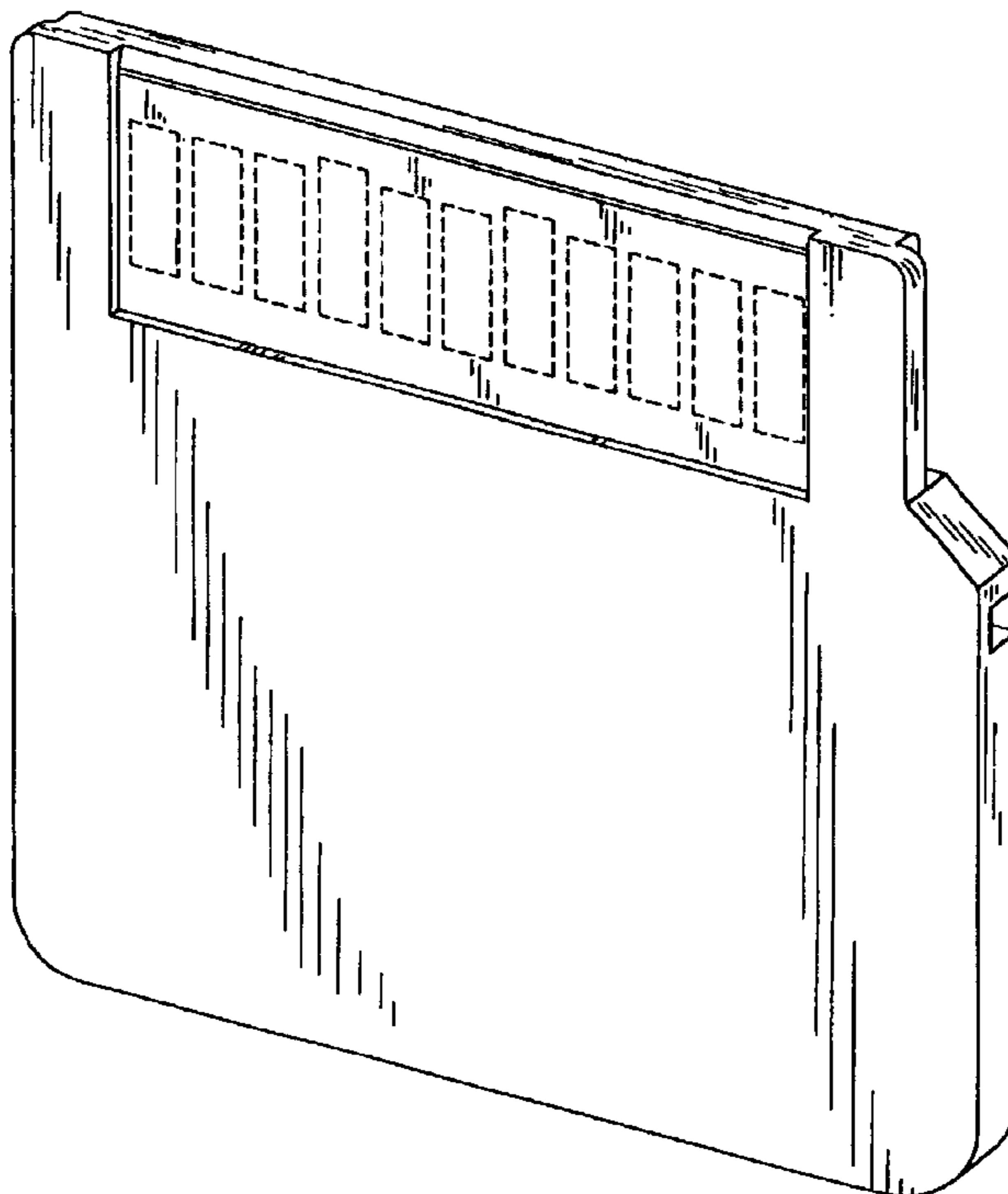


Fig. 1

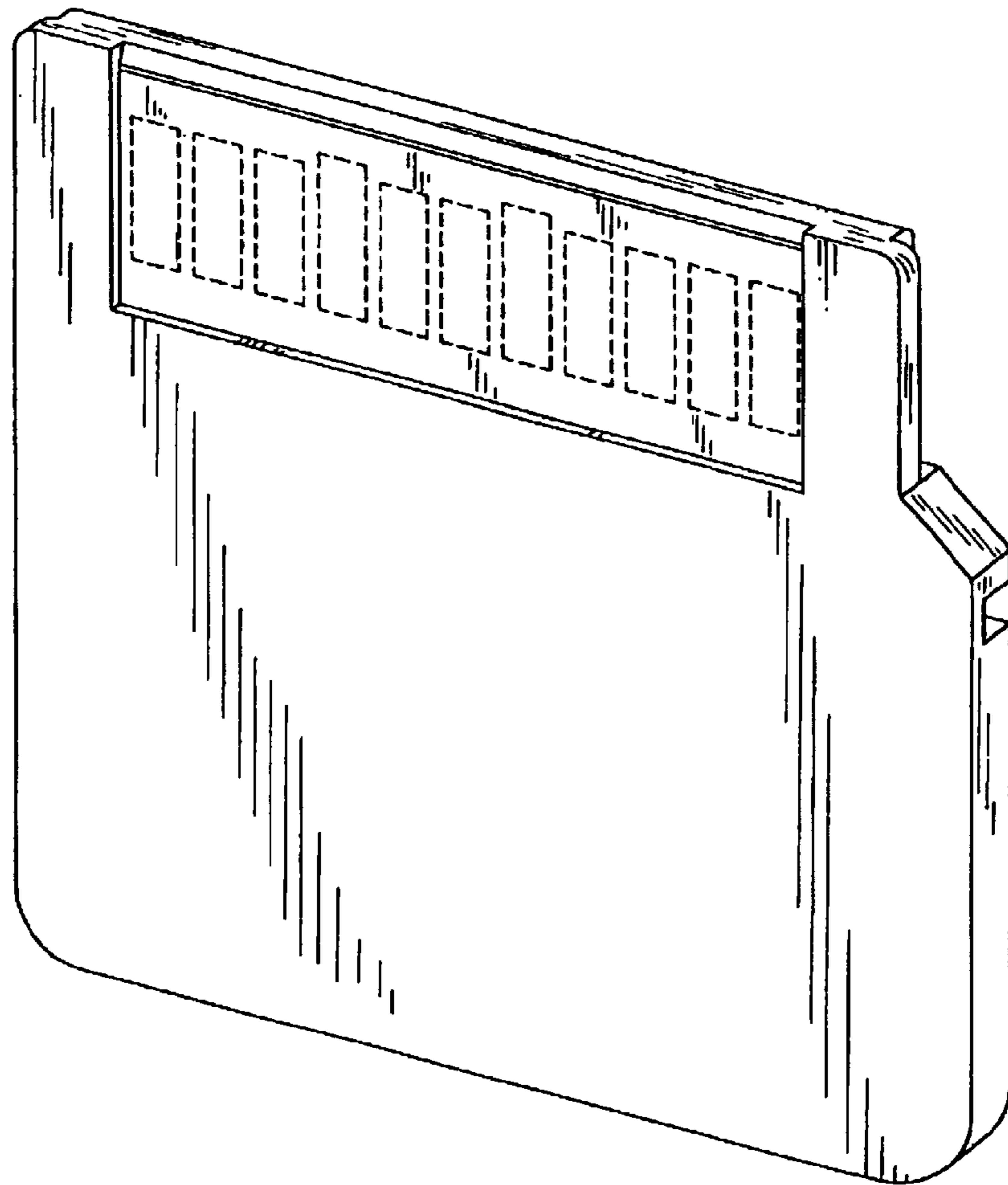


Fig. 2

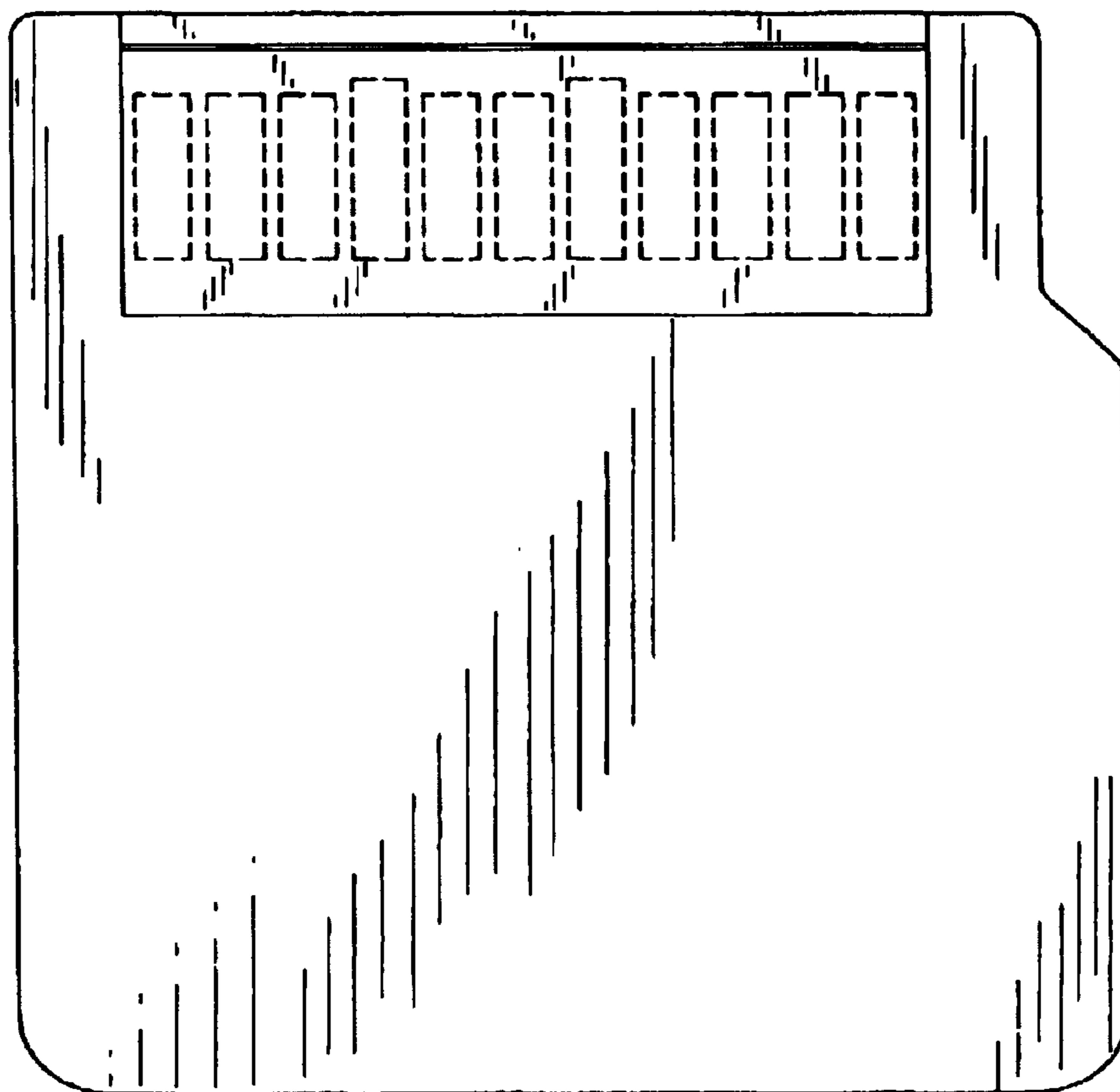


Fig. 3

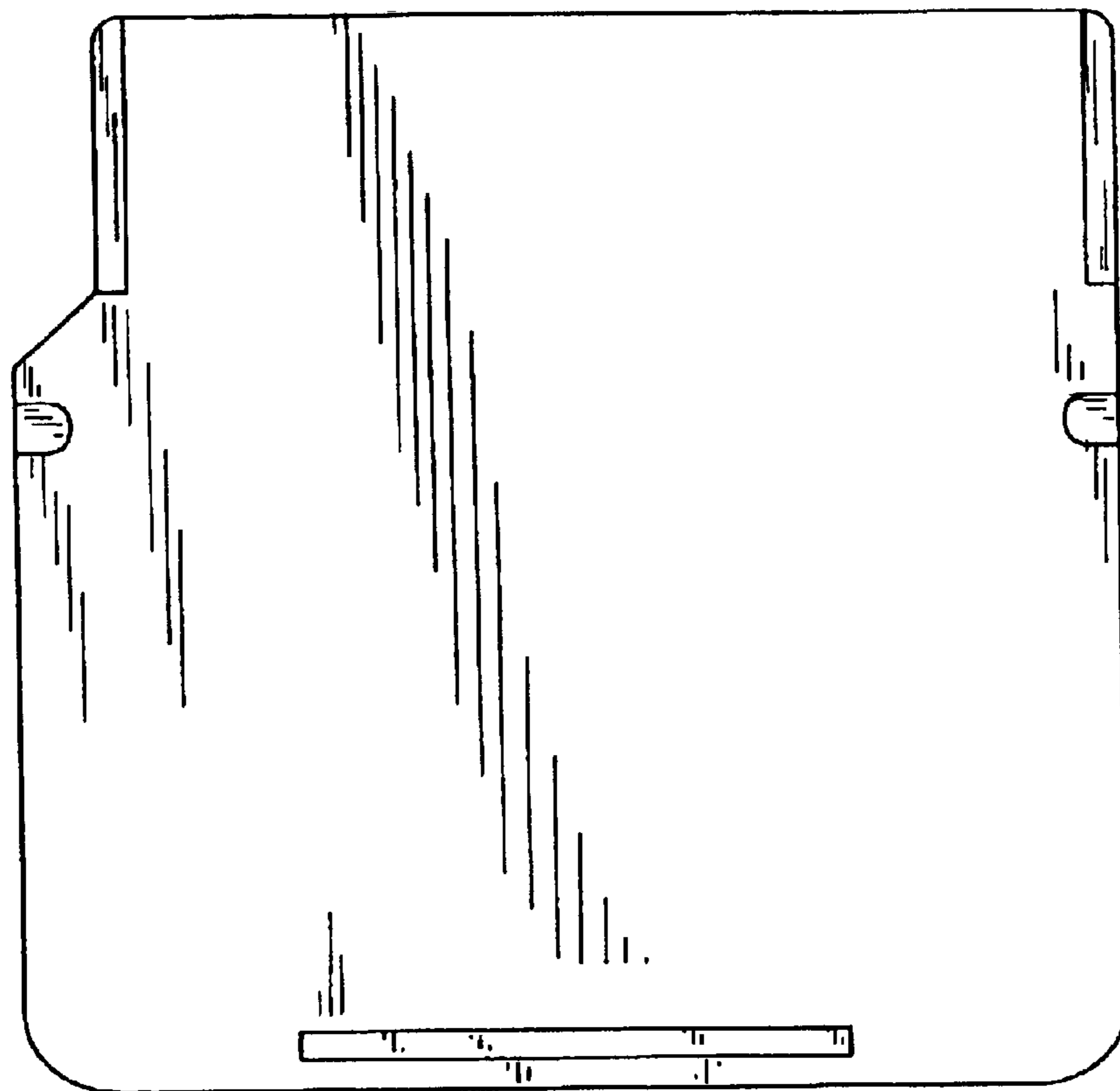


Fig. 4

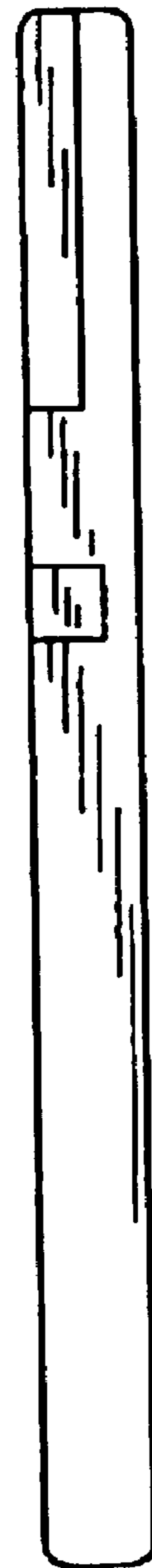


Fig. 5

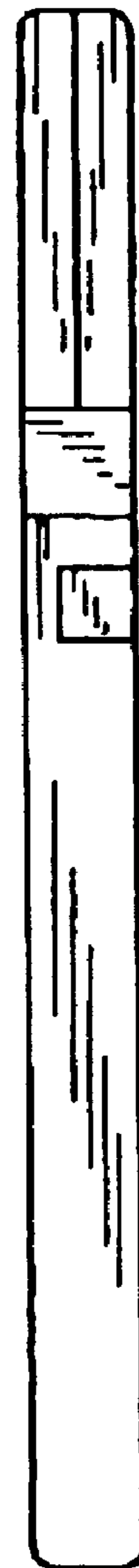


Fig. 6

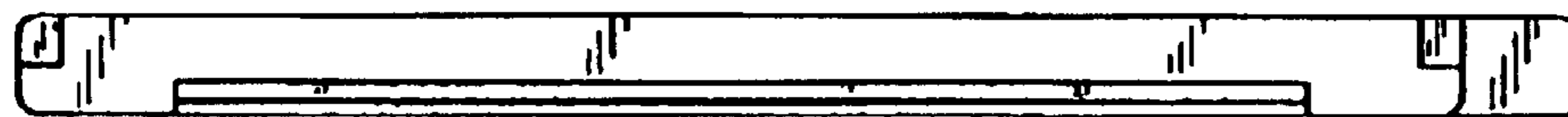


Fig. 7



FIG. 8

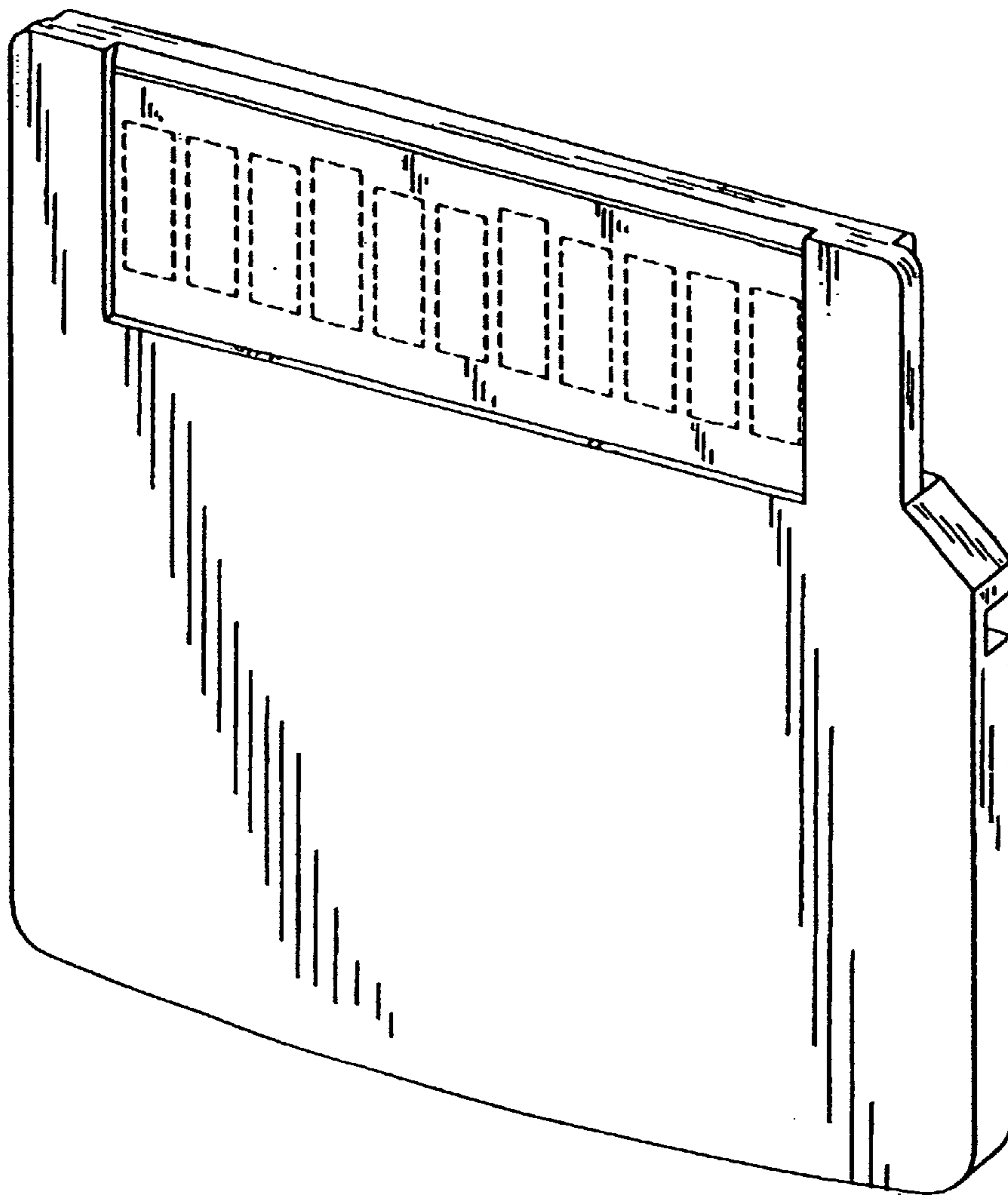


FIG. 9

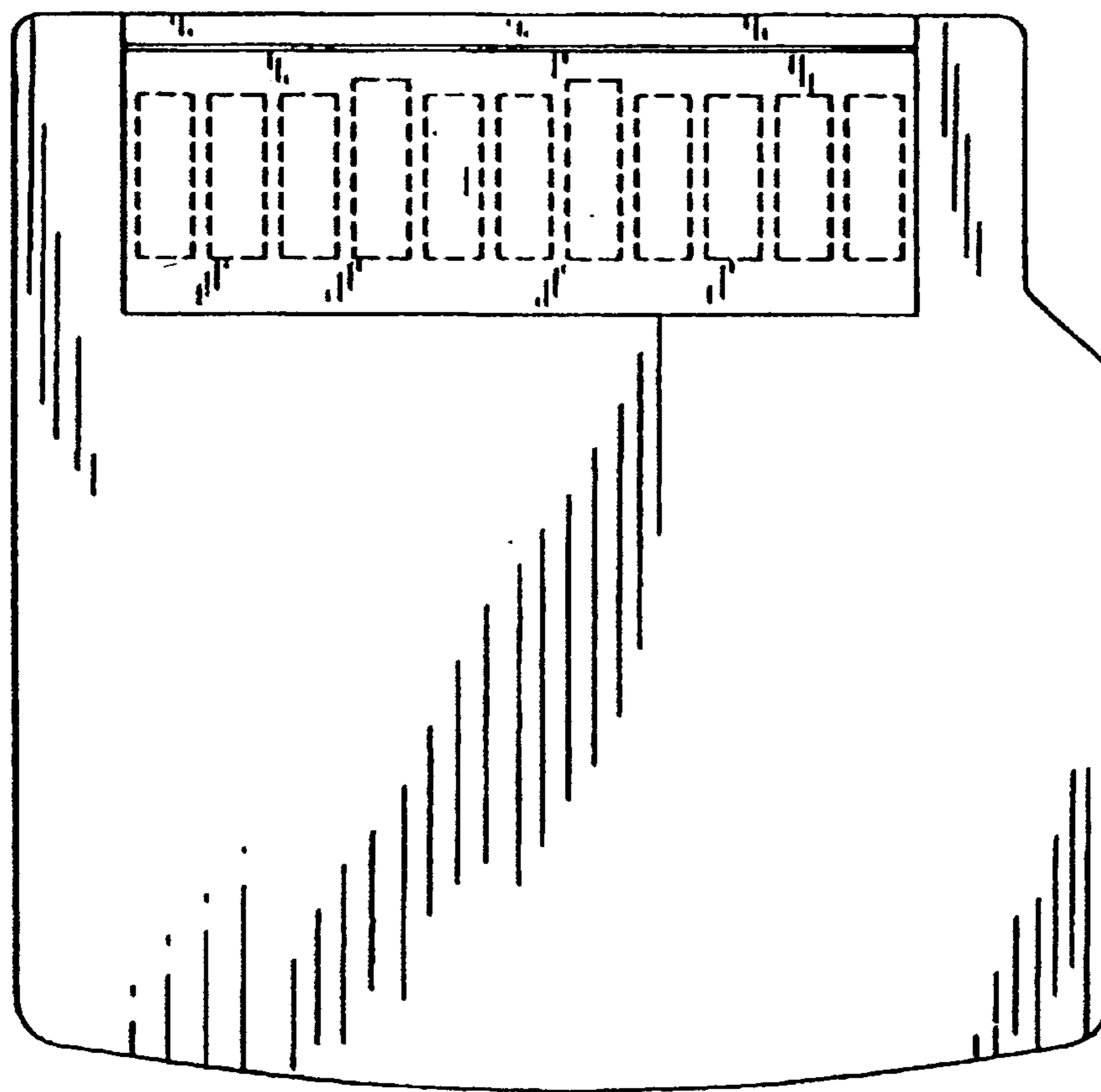


FIG. 10

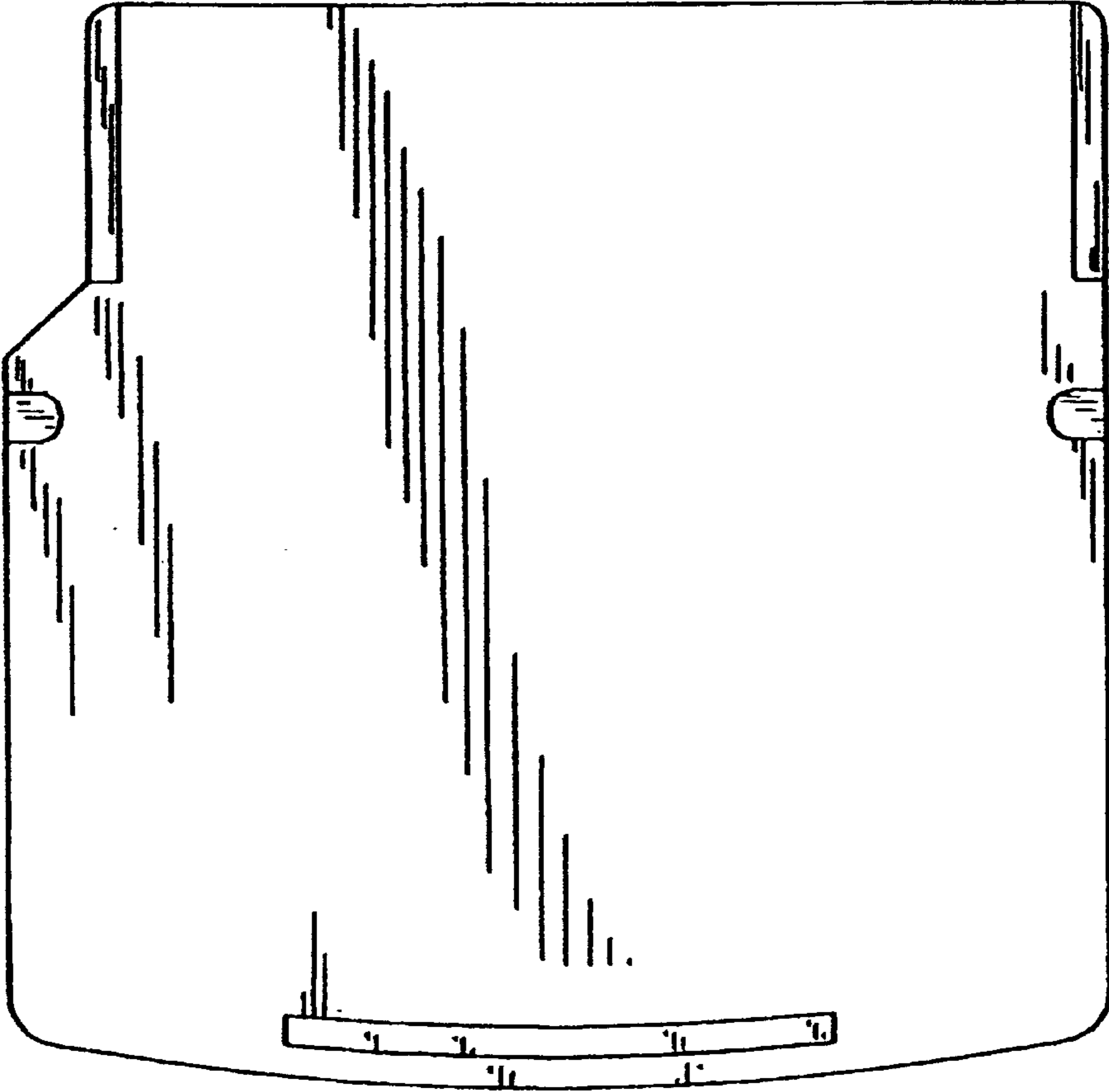


FIG. 11



FIG. 12



FIG. 13

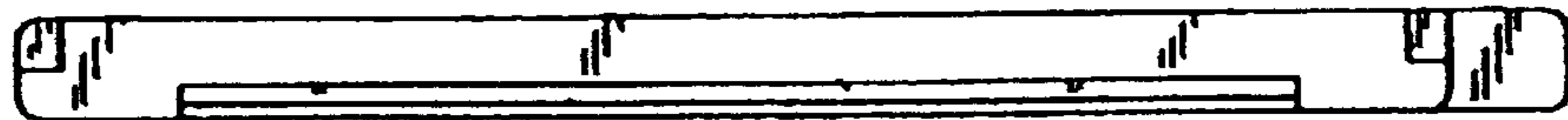


FIG. 14

