

US00D505949S

(12) **United States Design Patent**  
**Chen et al.**

(10) **Patent No.:** **US D505,949 S**  
(45) **Date of Patent:** **\*\* Jun. 7, 2005**

(54) **MULTIMEDIA PERSONAL COMPUTER**

(75) Inventors: **Chang-Jung Chen**, Taipei (TW);  
**Chun-Hsiung Yin**, Tainan (TW)

(73) Assignee: **Benq Corporation**, Taoyuan (TW)

(\*\*) Term: **14 Years**

(21) Appl. No.: **29/192,384**

(22) Filed: **Oct. 23, 2003**

(51) **LOC (8) Cl.** ..... **14-02**

(52) **U.S. Cl.** ..... **D14/313**

(58) **Field of Search** ..... D14/300, 301,  
D14/308, 313, 314, 348-356, 361-369;  
D13/162, 184, 199; 361/686, 736, 690-696;  
439/717; 369/34.01, 36.01

(56) **References Cited**

**U.S. PATENT DOCUMENTS**

4,918,572 A \* 4/1990 Tarver et al. .... 361/736  
D310,825 S \* 9/1990 Crease et al. .... D14/355  
5,227,957 A \* 7/1993 Deters ..... 361/686

D371,768 S \* 7/1996 Kammergard et al. ... D14/313  
D381,319 S \* 7/1997 Nogas ..... D14/313  
D395,424 S \* 6/1998 Nakayama et al. .... D14/313  
D410,231 S \* 5/1999 Alo ..... D14/313  
6,328,612 B1 \* 12/2001 Chung ..... 439/717

\* cited by examiner

*Primary Examiner*—Freda S. Nunn

(74) *Attorney, Agent, or Firm*—Quintero Law Office

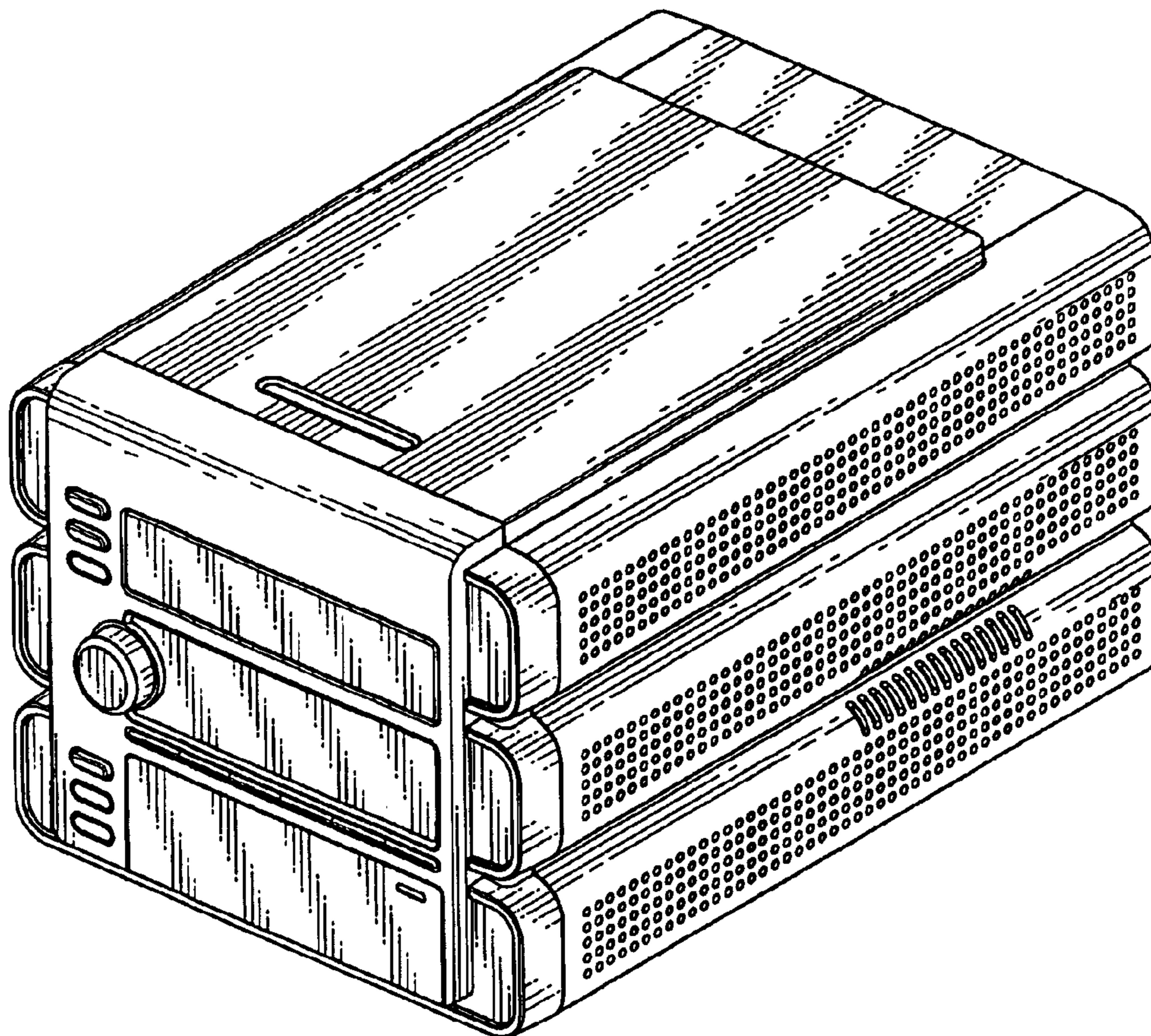
(57) **CLAIM**

The ornamental design for a multimedia personal computer, as shown and described.

**DESCRIPTION**

FIG. 1 is a perspective view thereof;  
FIG. 2 is a front elevational view thereof;  
FIG. 3 is a rear elevational view thereof;  
FIG. 4 is a left side elevational view thereof;  
FIG. 5 is a right side elevational view thereof;  
FIG. 6 is a top plane view thereof;  
FIG. 7 is a bottom plane view thereof; and,  
FIG. 8 is also a perspective view thereof.

**1 Claim, 6 Drawing Sheets**



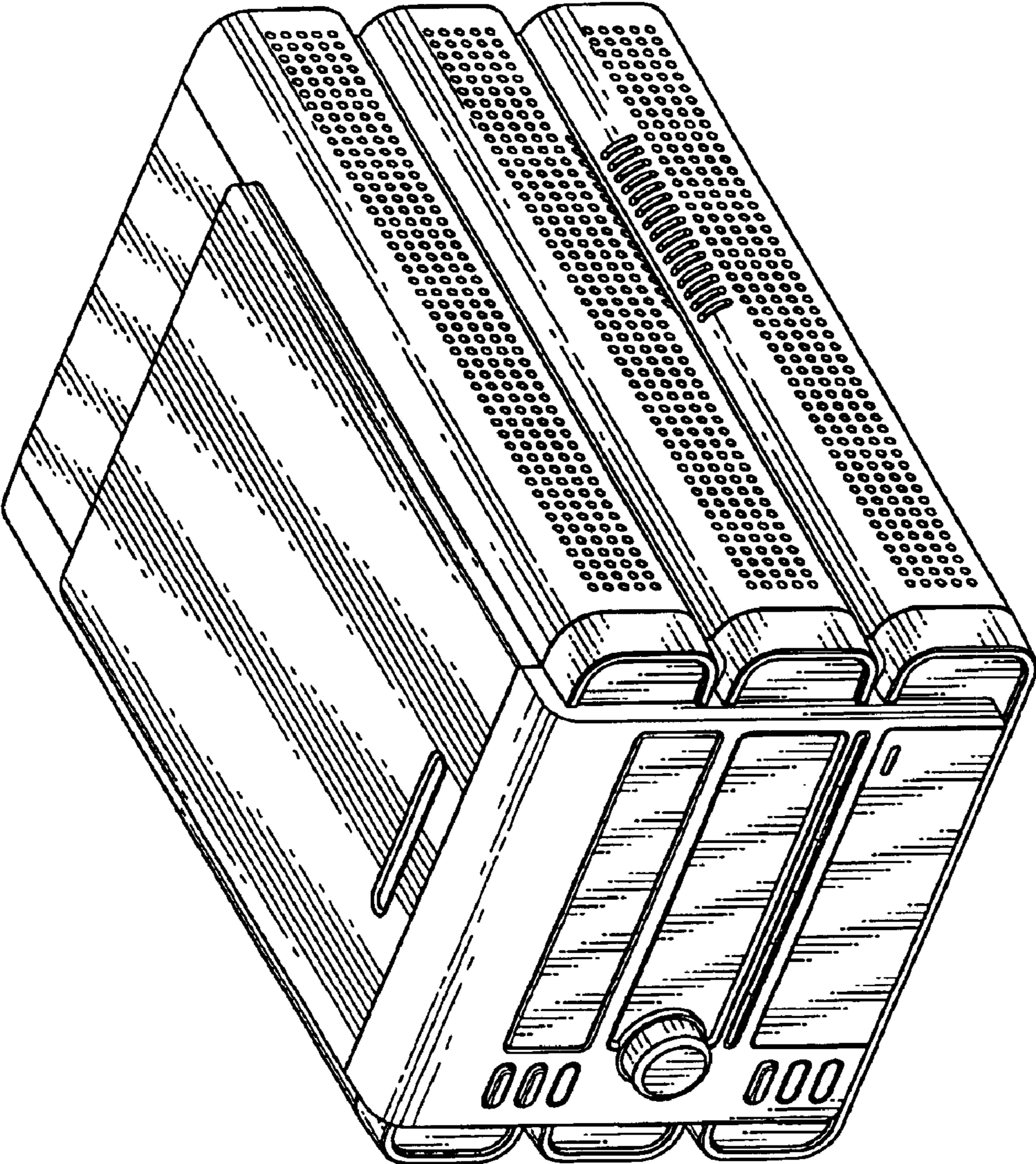


FIG. 1

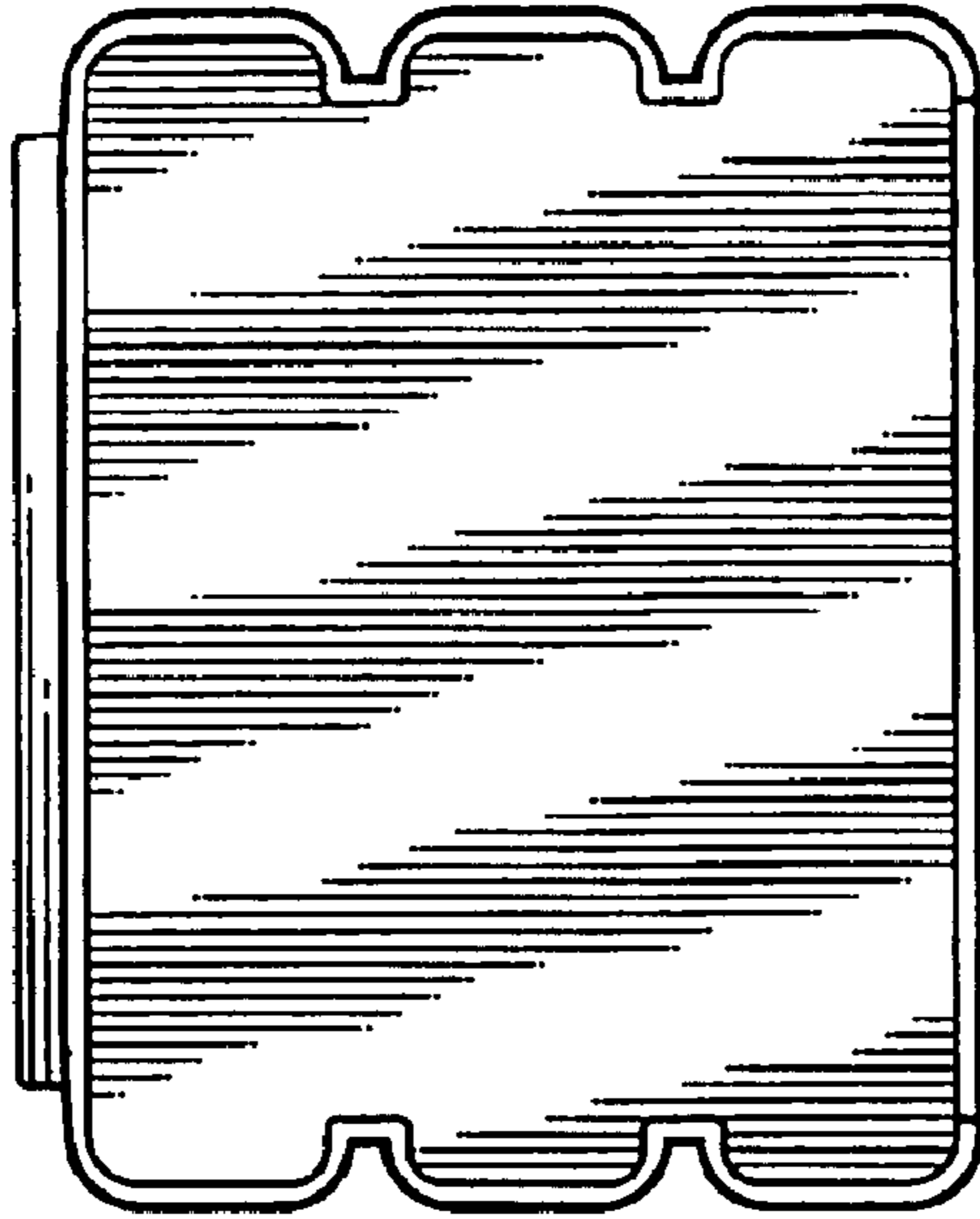


FIG. 3

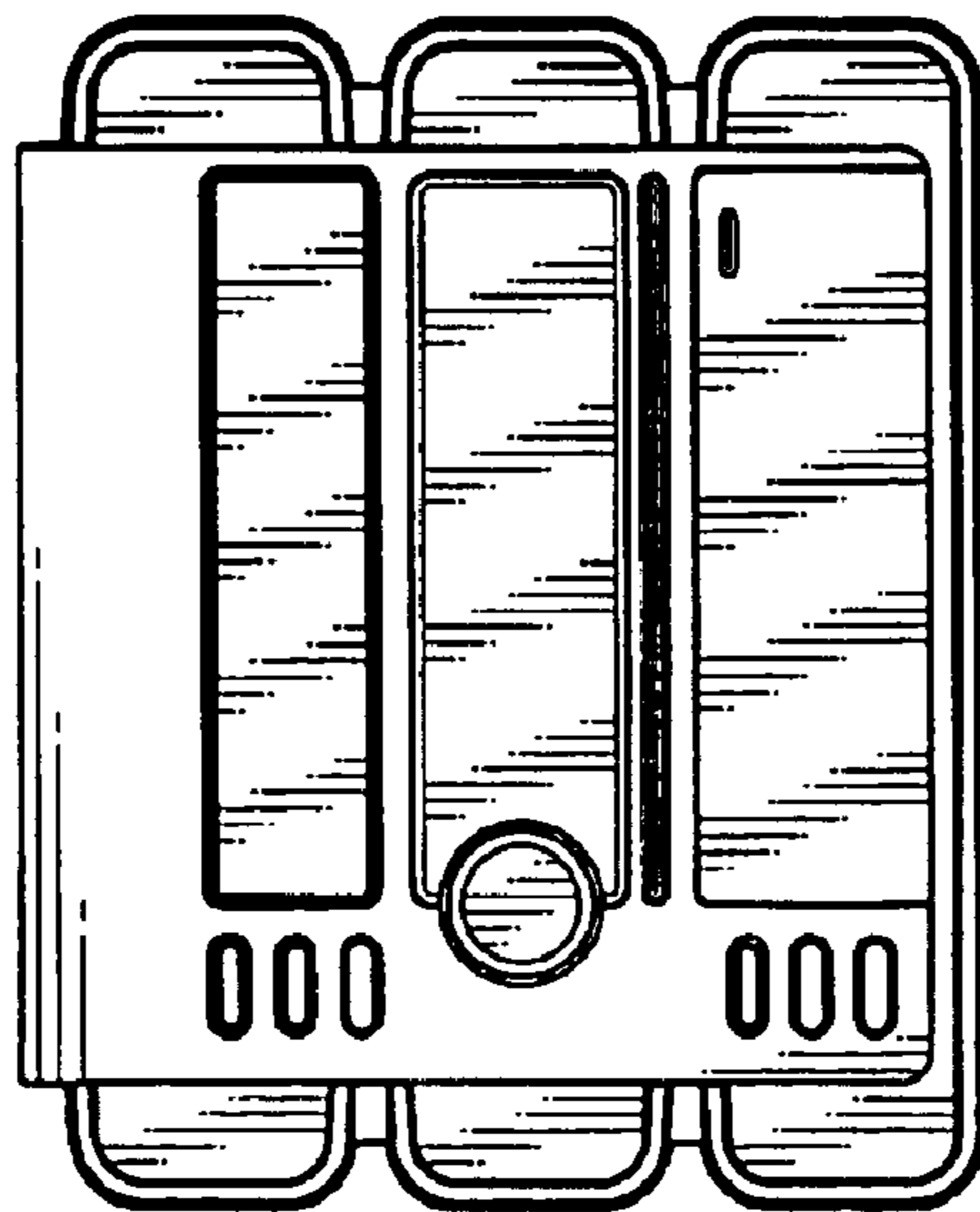


FIG. 2

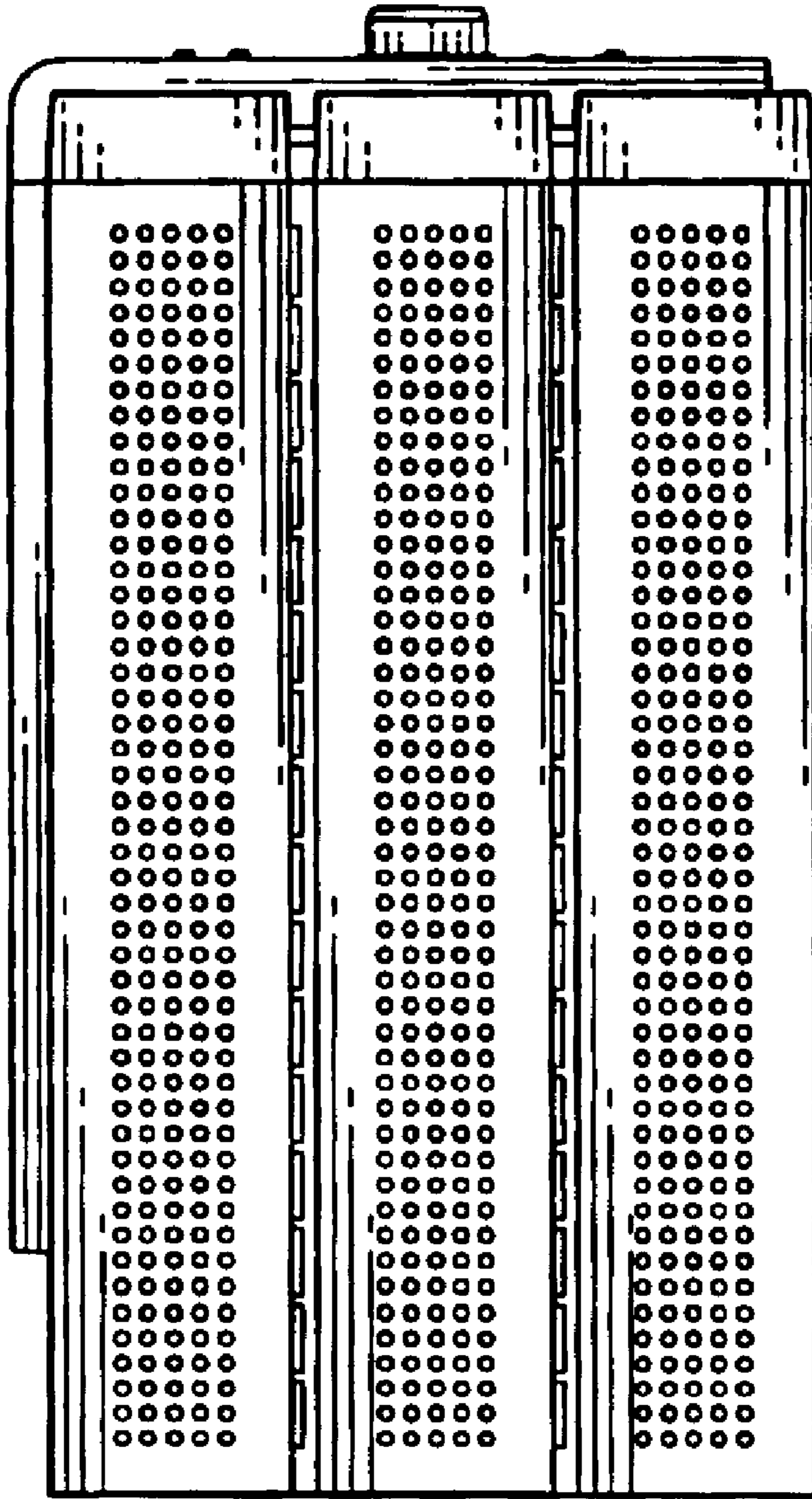


FIG. 4

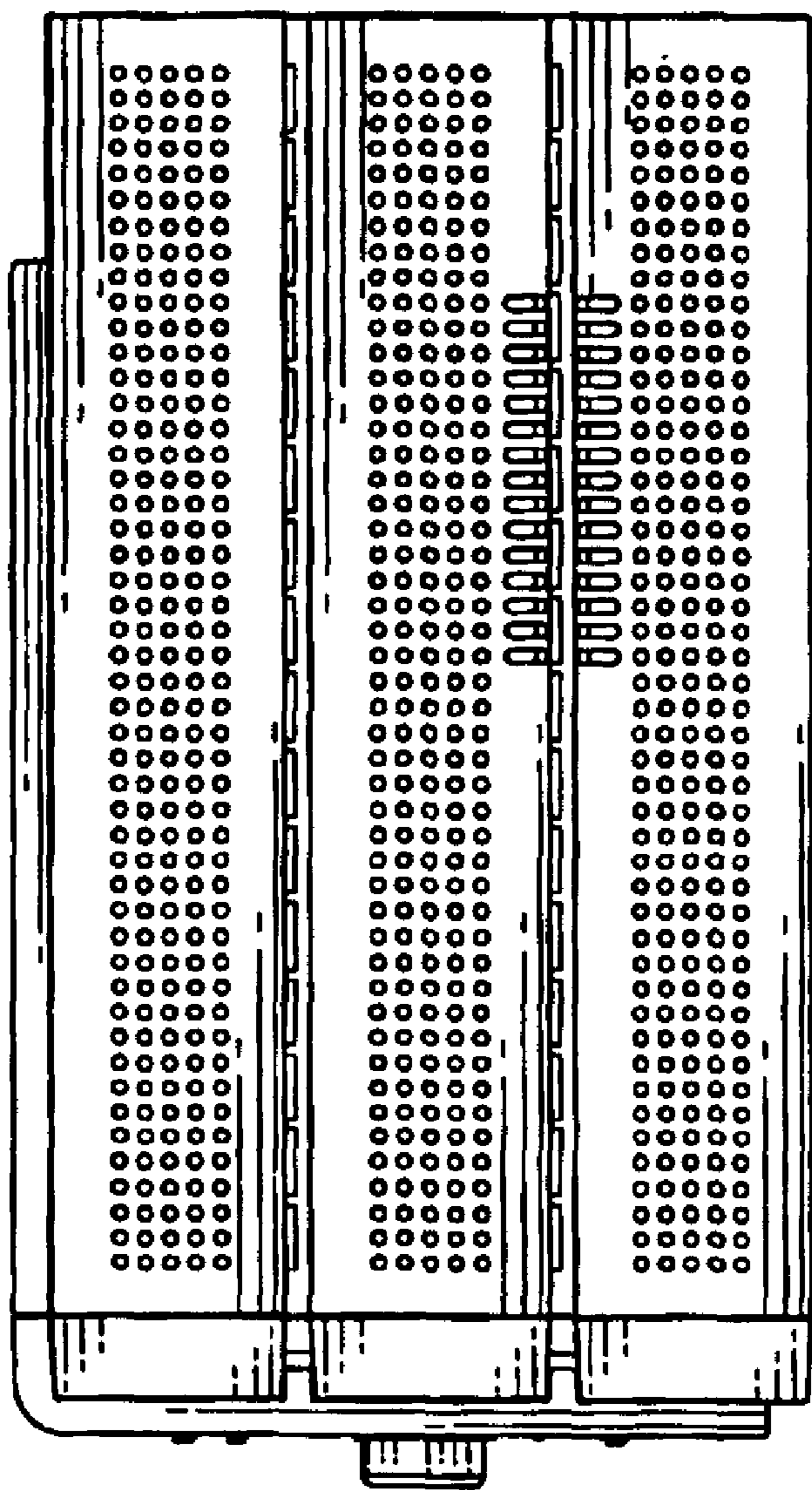


FIG. 5

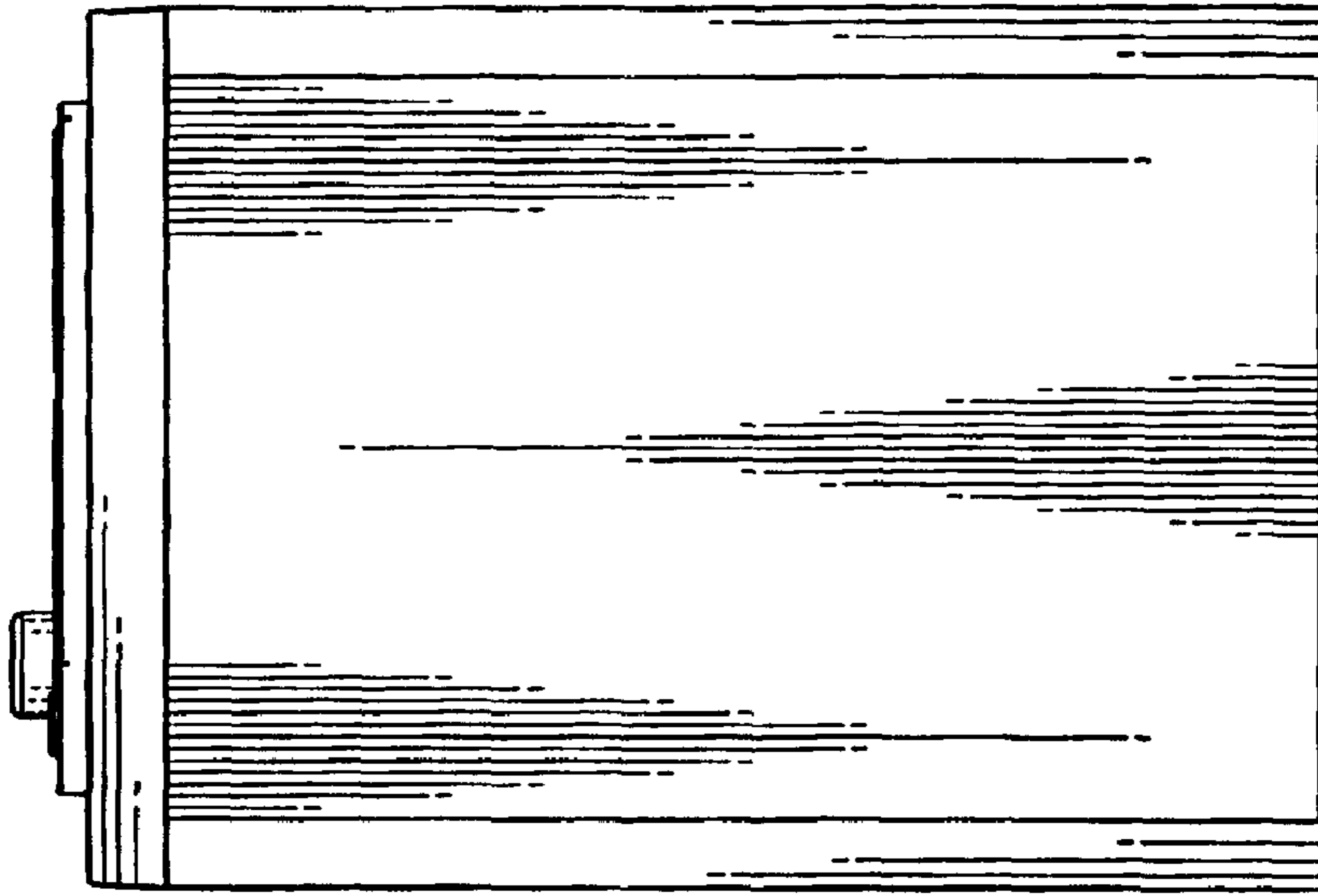


FIG. 7

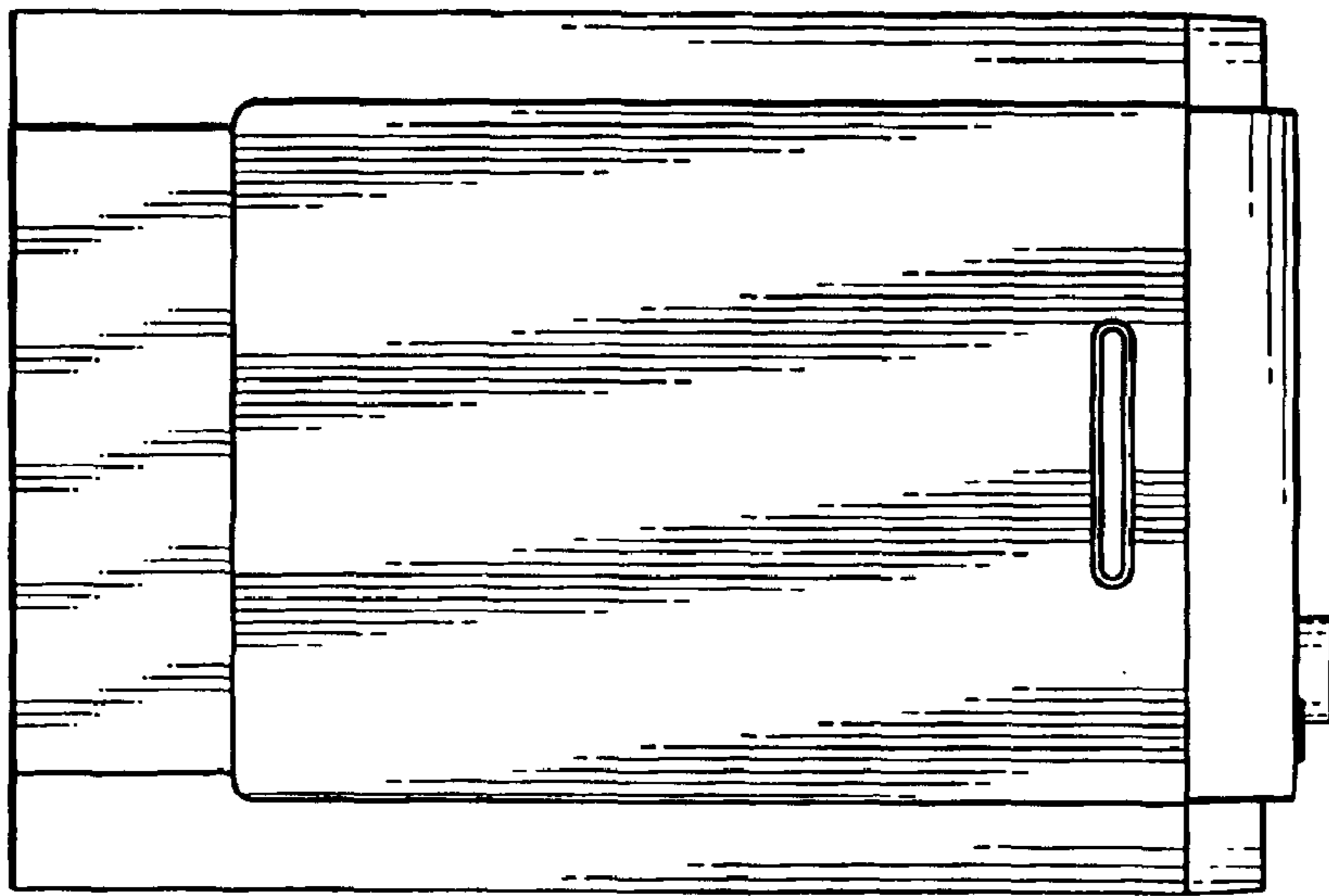


FIG. 6

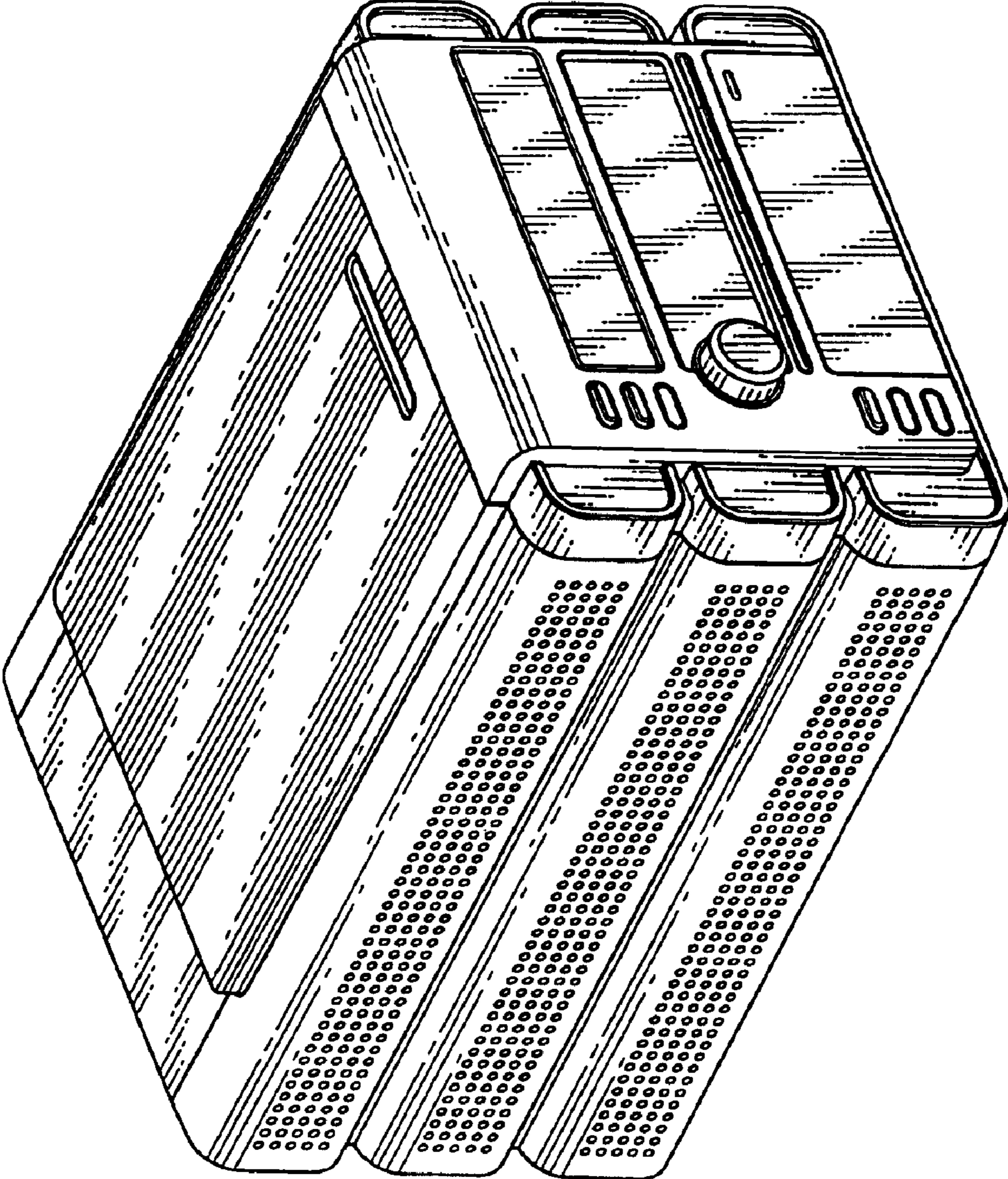


FIG. 8