



US00D505942S

(12) **United States Design Patent**  
**Meyer et al.**

(10) **Patent No.: US D505,942 S**  
(45) **Date of Patent: \*\* Jun. 7, 2005**

(54) **FRONT OF A LOUDSPEAKER**

D485,256 S \* 1/2004 Allen ..... D14/215

(75) Inventors: **John D. Meyer**, Berkeley, CA (US);  
**Richard Herr**, Berkeley, CA (US);  
**Paul Bunning**, Oakland, CA (US)

(73) Assignee: **Meyer Sound Laboratories,**  
**Incorporated**, Berkeley, CA (US)

(\*\*) Term: **14 Years**

(21) Appl. No.: **29/200,438**

(22) Filed: **Feb. 27, 2004**

(51) **LOC (8) Cl.** ..... **14-01**

(52) **U.S. Cl.** ..... **D14/215; D14/214**

(58) **Field of Search** ..... D14/204, 207,  
D14/209-216, 356; 181/143-144, 147-148,  
150, 156, 198-199, 151, 153; 381/300-302,  
306, 333, 345, 361-364, 386-388, 332,  
336

(56) **References Cited**

**U.S. PATENT DOCUMENTS**

D266,243 S	*	9/1982	Gollehon	.....	D14/215
D271,967 S		12/1983	Meyer et al.		
D281,158 S	*	10/1985	Ishizaki	.....	D14/214
5,546,468 A	*	8/1996	Beard	.....	381/86
5,602,367 A		2/1997	Meyer		
6,081,602 A		6/2000	Meyer et al.		
D469,421 S	*	1/2003	Stickles et al.	.....	D14/204

**OTHER PUBLICATIONS**

M3D On—line Product Brochure, Meyer Sound Laborato-  
ries, Incorporated, 2001.

M1D Product Brochure, Meyer Sound Laboratories, Incor-  
porated, 2002.

\* cited by examiner

*Primary Examiner*—Nanda Bondade

(74) *Attorney, Agent, or Firm*—Donald L. Beeson

(57) **CLAIM**

The ornamental design for a front of a loudspeaker, as shown  
and described.

**DESCRIPTION**

FIG. 1 is a top perspective view of a front of a loudspeaker  
showing our new design;

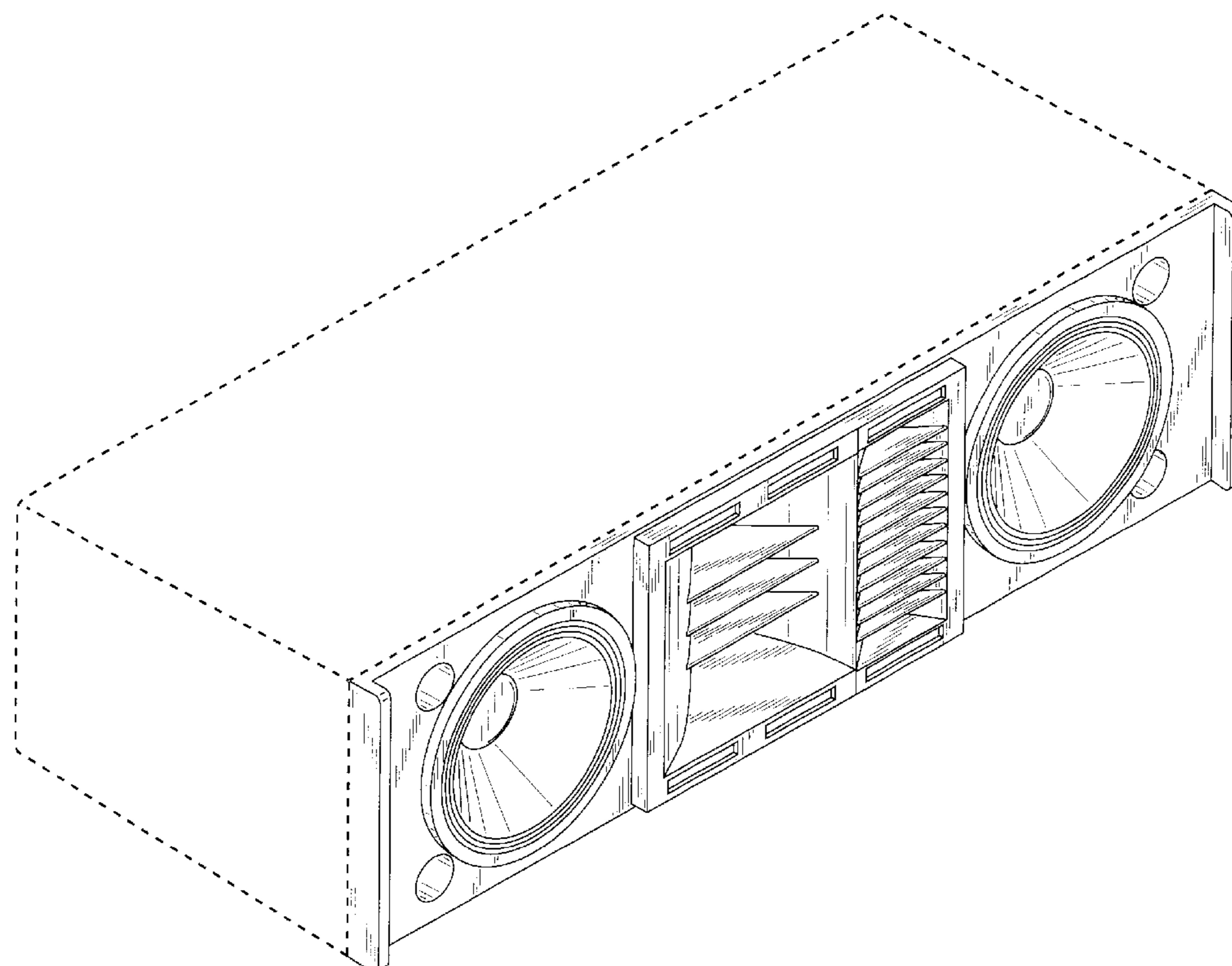
FIG. 2 is front elevational view thereof;

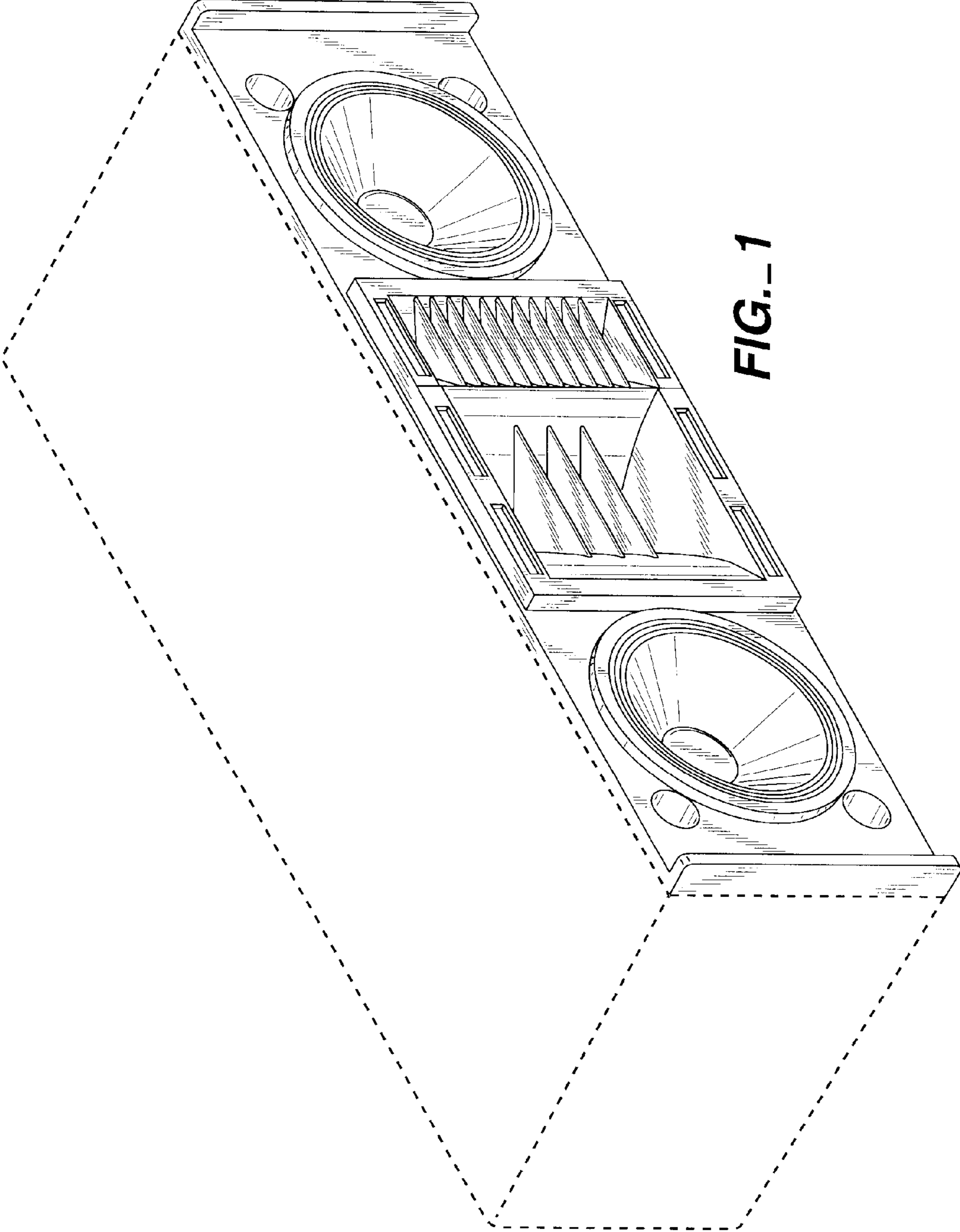
FIG. 3 is a top plan view thereof; and,

FIG. 4 is a side elevational view thereof.

The broken lines shown in FIG. 1 are for illustrative  
purposes only and form no part of our claimed design. The  
broken lines immediately adjacent the shaded areas in FIGS.  
**3** and **4** represent the bounds of the claimed design; the  
region outside these broken lines forms no part of our  
claimed design.

**1 Claim, 2 Drawing Sheets**





**FIG. 1**

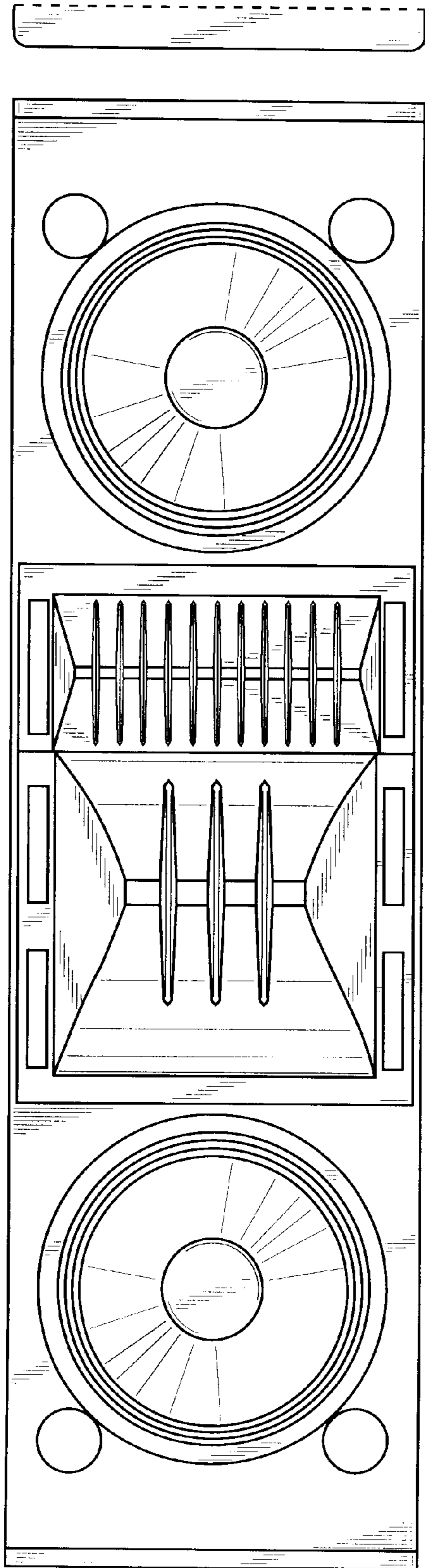


FIG. 2

FIG. 4



FIG. 3