



US00D505941S

(12) **United States Design Patent**  
**Hirano**

(10) **Patent No.:** **US D505,941 S**  
(45) **Date of Patent:** **\*\* Jun. 7, 2005**

(54) **SPEAKER BOX**

(75) **Inventor:** **Shinpei Hirano, Tokyo (JP)**  
(73) **Assignee:** **Sony Corporation, Tokyo (JP)**  
(\*\*) **Term:** **14 Years**

(21) **Appl. No.:** **29/194,303**  
(22) **Filed:** **Nov. 24, 2003**

(51) **LOC (8) Cl.** ..... **14-01**  
(52) **U.S. Cl.** ..... **D14/215**  
(58) **Field of Search** ..... D14/204, 207,  
D14/209-216, 356; 181/143-144, 147-148,  
150, 157, 198-199, 151, 153; 381/300-302,  
306, 333, 345, 361-364, 386-388

(56) **References Cited**

**U.S. PATENT DOCUMENTS**

D223,580 S	*	5/1972	Richards	.....	D14/215
4,334,211 A	*	6/1982	McConnell et al.	.....	181/143
D375,746 S	*	11/1996	Wu	.....	D14/216
D393,642 S		4/1998	Yuyama		
D410,649 S		6/1999	Kobayashi		
D466,104 S	*	11/2002	Romero et al.	.....	D14/207

**OTHER PUBLICATIONS**

Web page "Sony eCatalog, SRS-T100PC" <http://www.ecat.sony.co.jp/computer/pcspeaker/acc/index.cfm?PD=9311&KM=SRS-T100PC>, 1 sheet, Sony Marketing (Japan) Inc. (Sep. 2003).

\* cited by examiner

*Primary Examiner*—Nanda Bondade

(74) *Attorney, Agent, or Firm*—Rader, Fishman & Grauer PLLC

(57) **CLAIM**

The ornamental design for a speaker box, as shown and described.

**DESCRIPTION**

FIG. 1 is a perspective view of a speaker box showing my new design;  
FIG. 2 is a front elevational view thereof;  
FIG. 3 is a rear elevational view thereof;  
FIG. 4 is a left side elevational view thereof;  
FIG. 5 is a right side elevational view thereof;  
FIG. 6 is a top plan view thereof; and,  
FIG. 7 is a bottom plan view thereof.  
The broken lines showing of the speaker cones on FIGS. 1, 2, 4, and 5 are illustrative purposes only and forms no part of the claimed design.

**1 Claim, 4 Drawing Sheets**

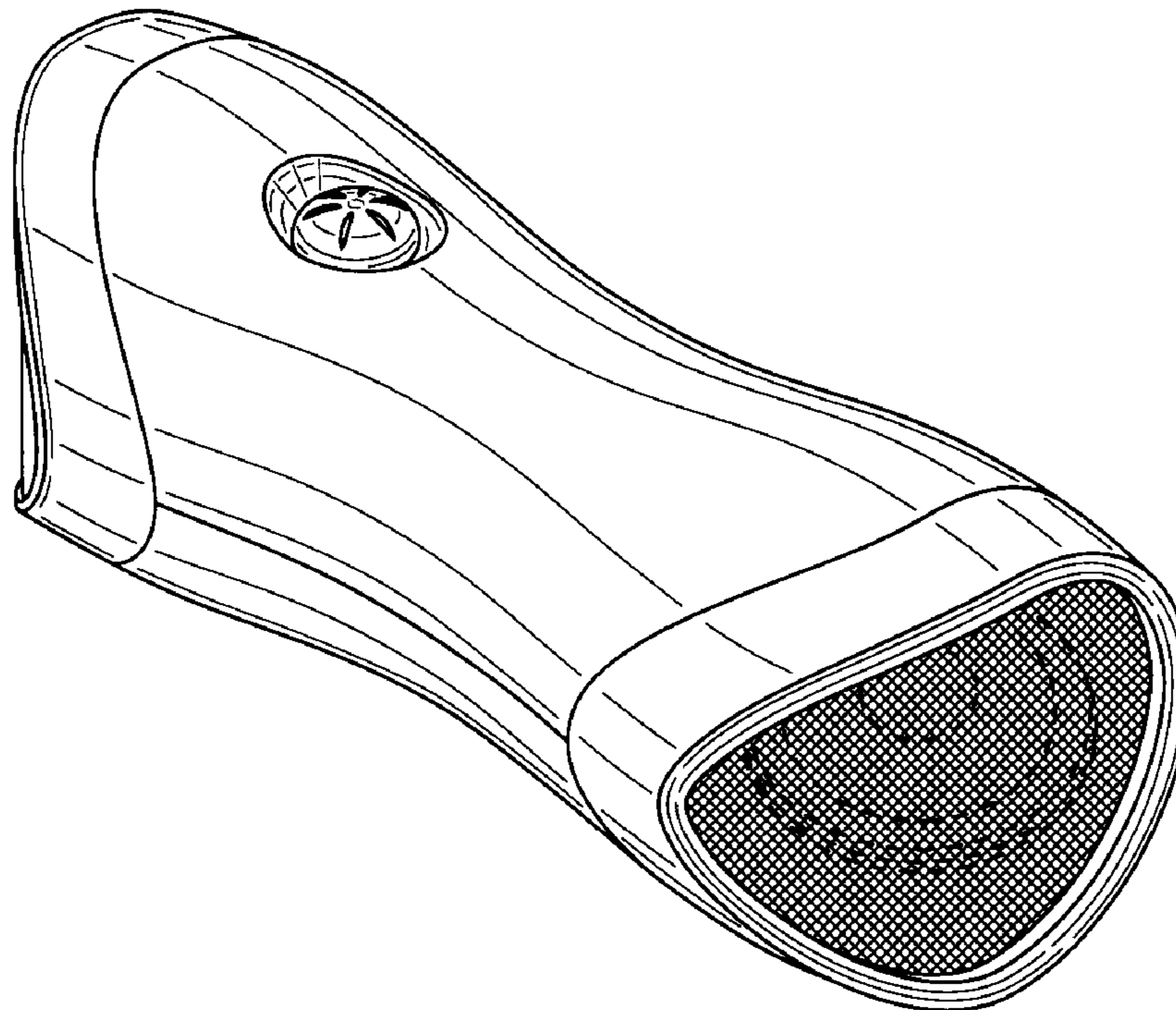


FIG. 1

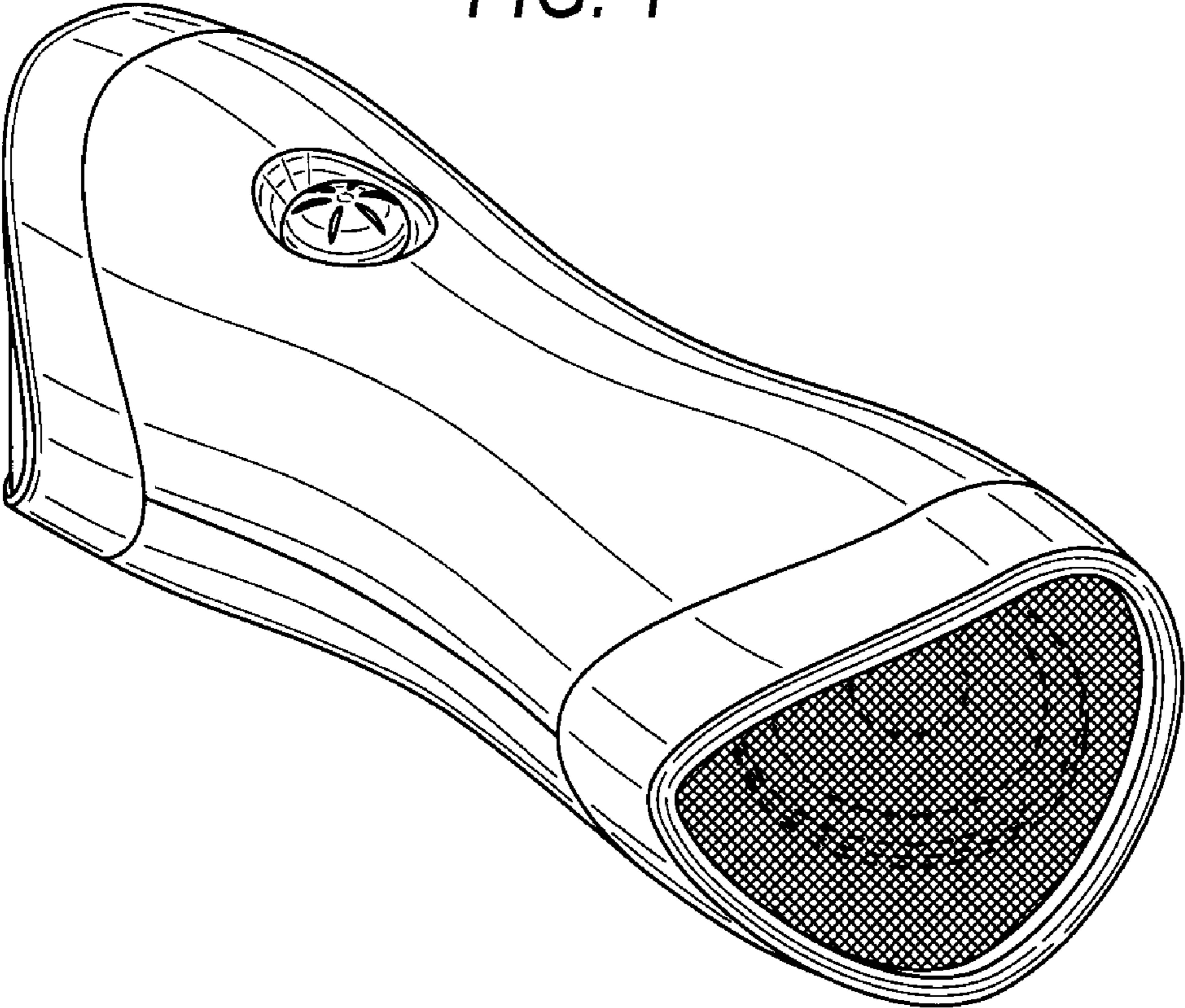


FIG. 2

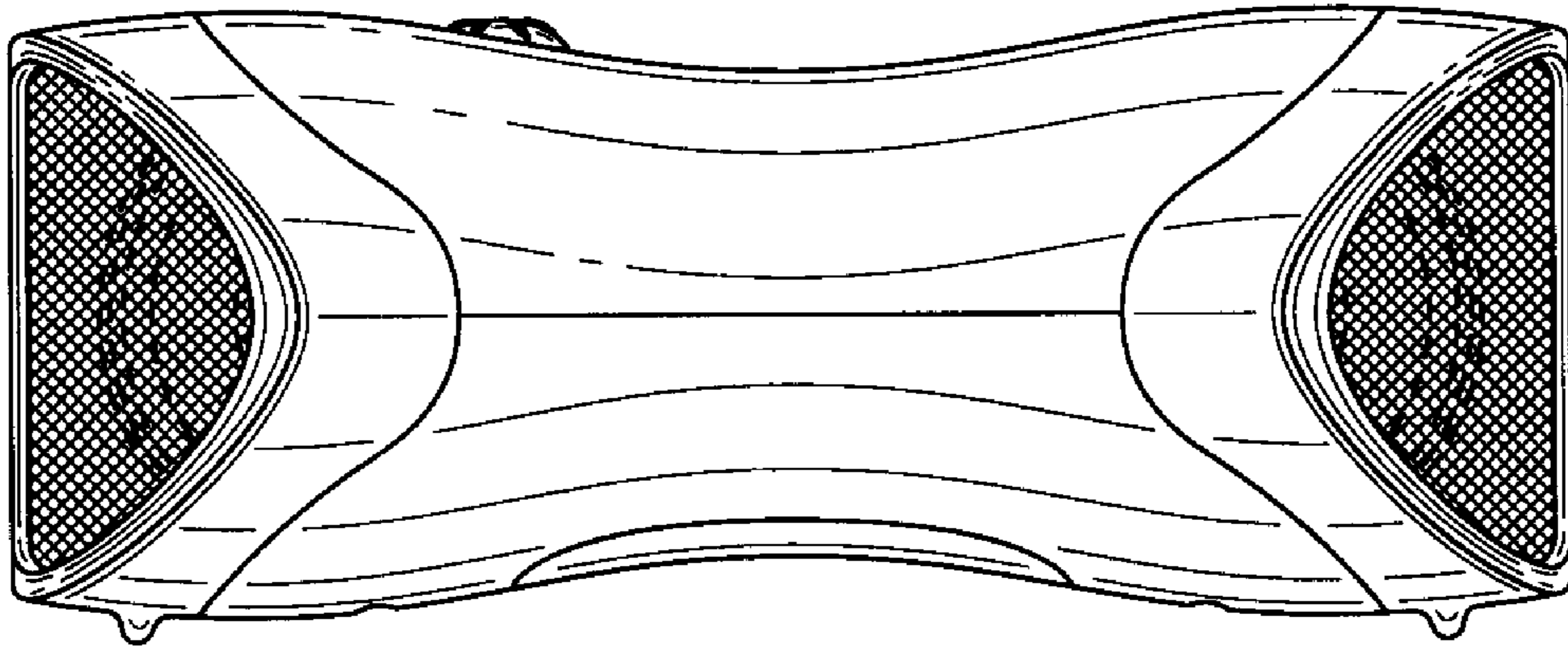
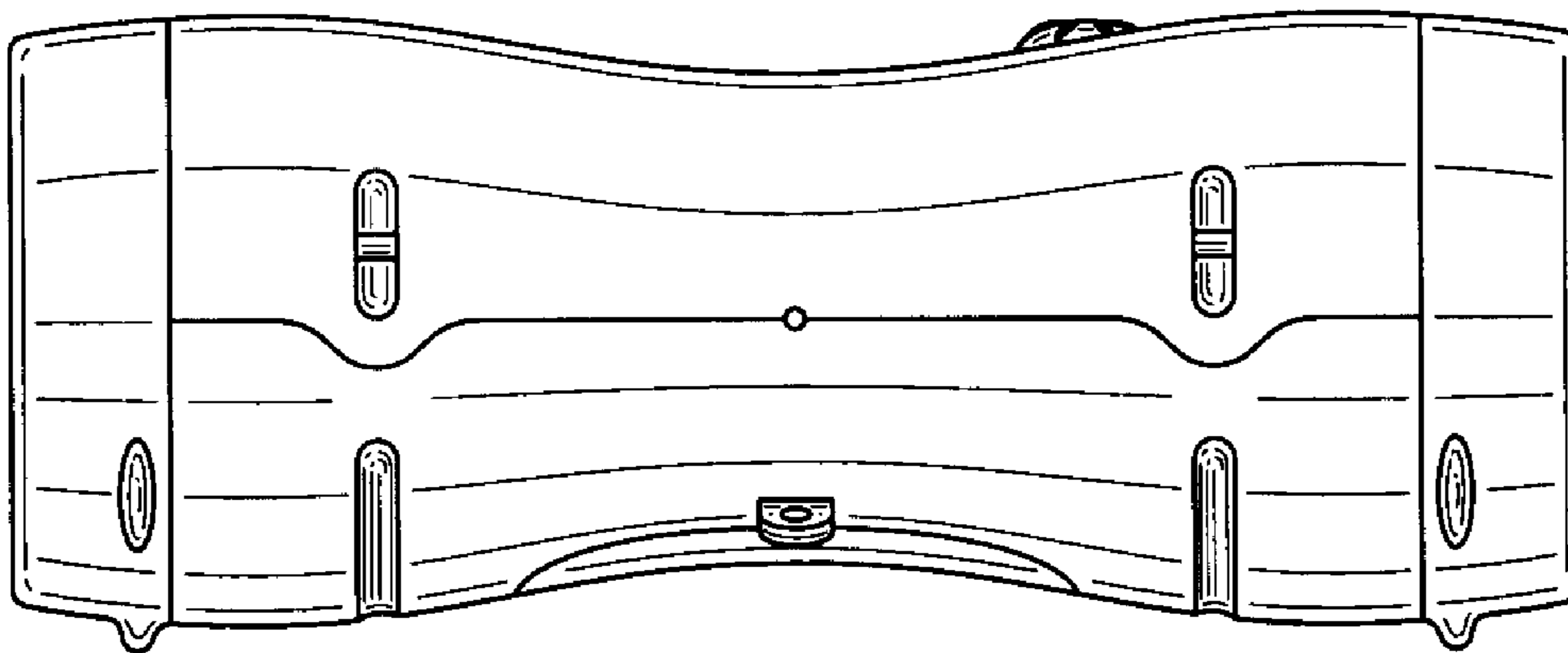
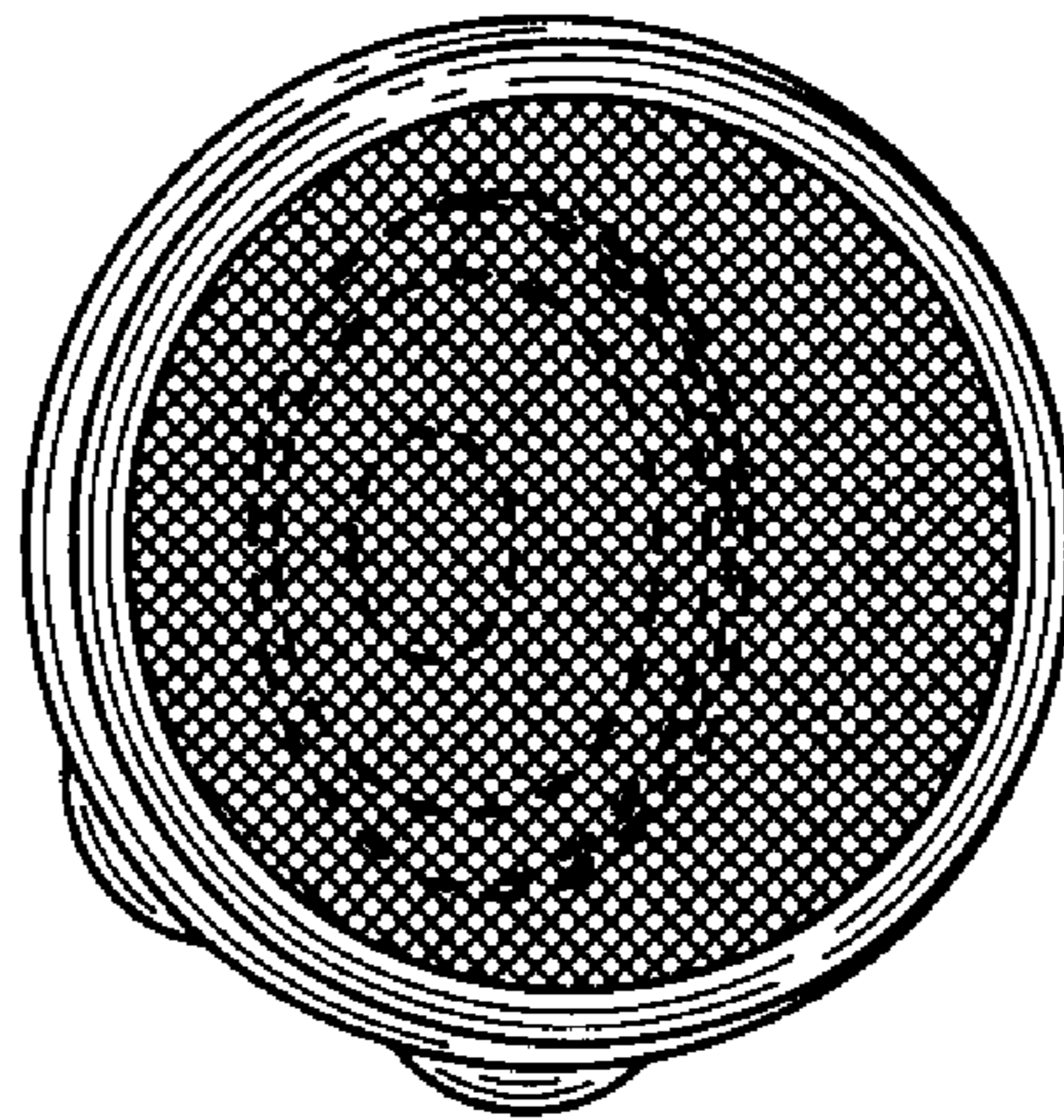


FIG. 3



*FIG. 4*



*FIG. 5*

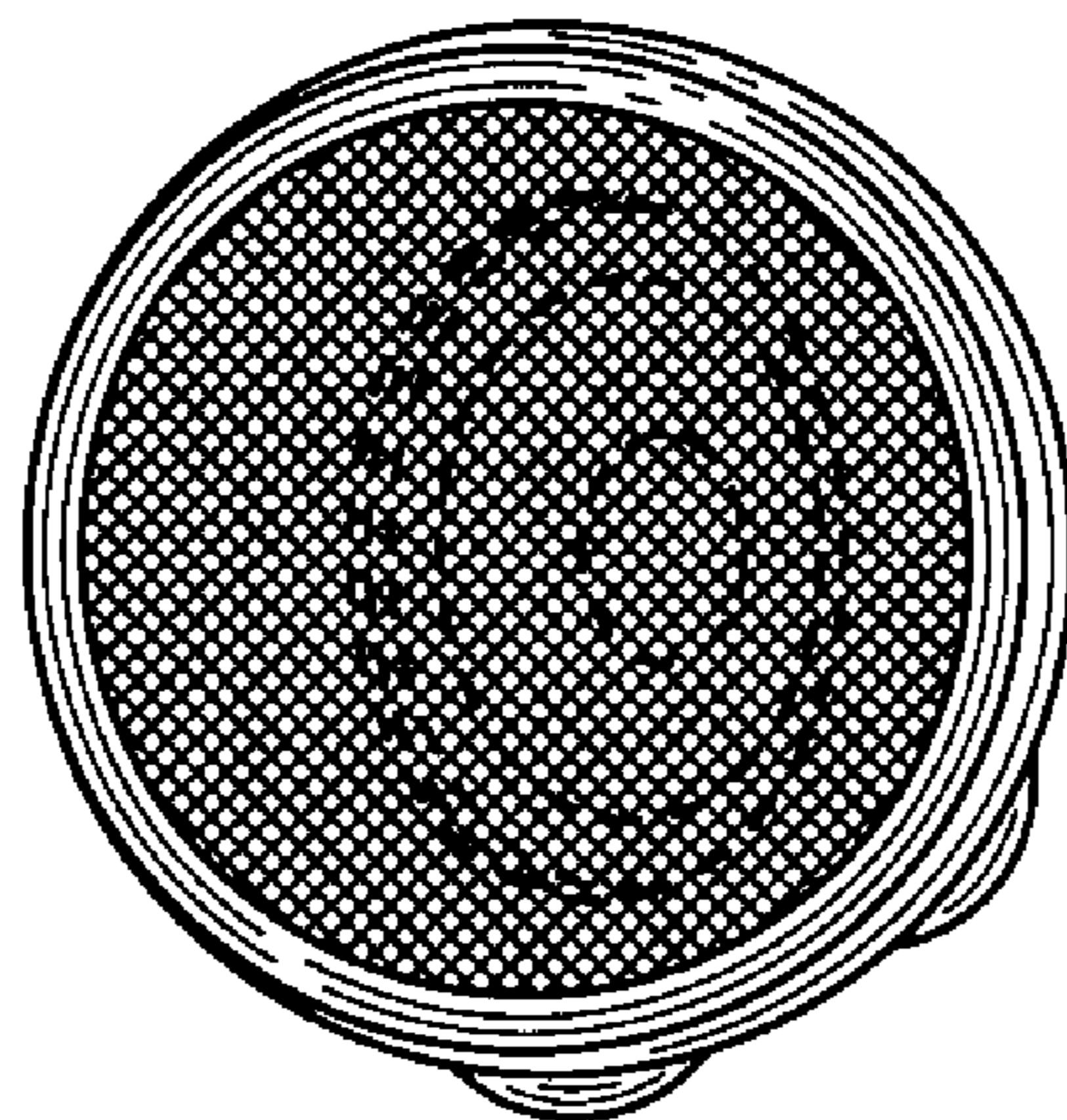


Fig.6

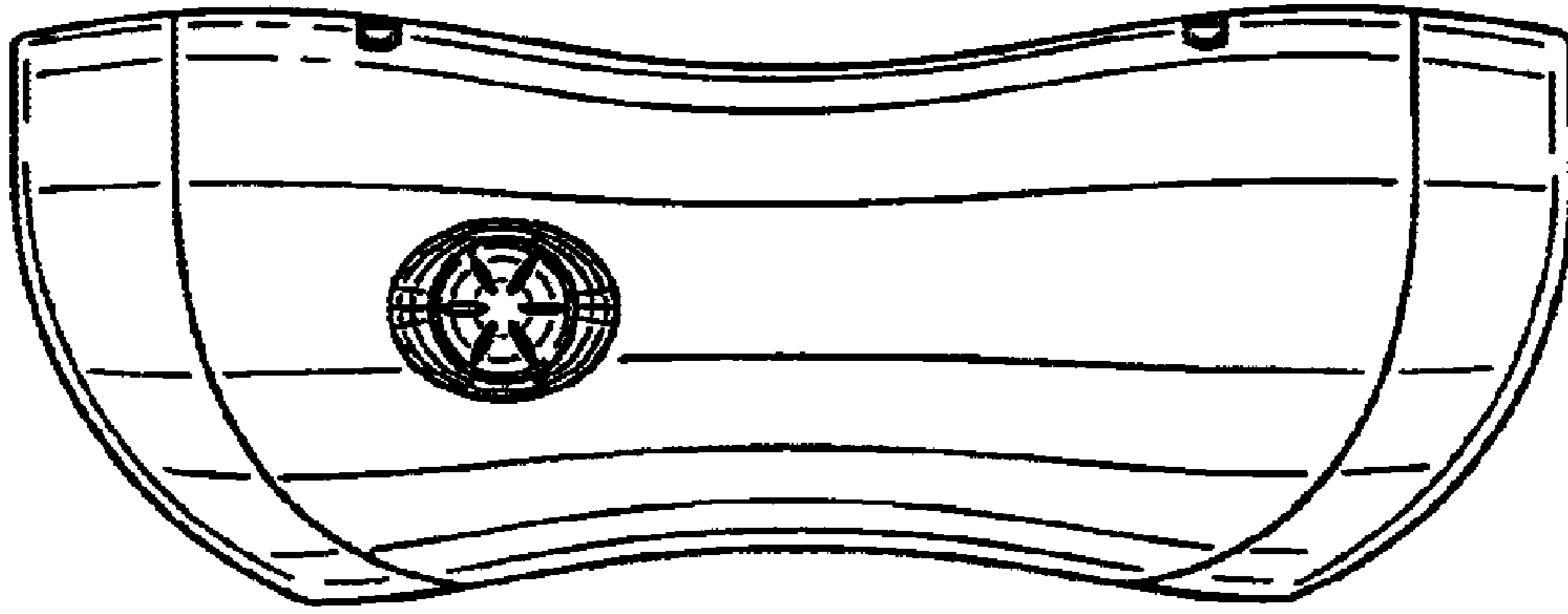


Fig.7

