

US00D505940S

(12) **United States Design Patent** (10) **Patent No.:** **US D505,940 S**
Yao (45) **Date of Patent:** **** Jun. 7, 2005**

(54) **SPEAKER SYSTEM**

(74) *Attorney, Agent, or Firm*—Clement Cheng

(76) **Inventor:** **HongBo Yao**, 2550 Corporate Pl., Ste. C103, Monterey Park, CA (US) 91754

(57) **CLAIM**

The ornamental design for a speaker system, as shown and described.

(**) **Term:** **14 Years**

DESCRIPTION

(21) **Appl. No.:** **29/189,444**

FIG. 1 is a perspective view of a first speaker of the speaker system showing my new design, shown separately for clarity of illustration;

(22) **Filed:** **Sep. 6, 2003**

FIG. 2 is a right side elevational view thereof;

(51) **LOC (8) Cl.** **14-01**

FIG. 3 is a front elevational view thereof;

(52) **U.S. Cl.** **D14/215**

FIG. 4 is a left side elevational view thereof;

(58) **Field of Search** D14/204, 207, D14/209–216, 356; 181/143–144, 147–148, 150, 157, 198–199, 151, 153; 381/300–302, 306, 333, 345, 361–364, 386–388

FIG. 5 is a rear elevational view thereof;

FIG. 6 is a top plan view thereof;

FIG. 7 is a bottom plan view thereof;

(56) **References Cited**

FIG. 8 is a perspective view of a second speaker of the speaker system, shown separately for clarity of illustration;

U.S. PATENT DOCUMENTS

FIG. 9 is a right side elevational view thereof;

4,214,645 A * 7/1980 Plourde 181/148

FIG. 10 is a front elevational view thereof;

D417,874 S * 12/1999 Suzuki D14/215

FIG. 11 is a left side elevational view thereof;

D462,338 S * 9/2002 Wong D14/215

FIG. 12 is a rear elevational view thereof;

D466,885 S * 12/2002 MacFarlane et al. D14/204

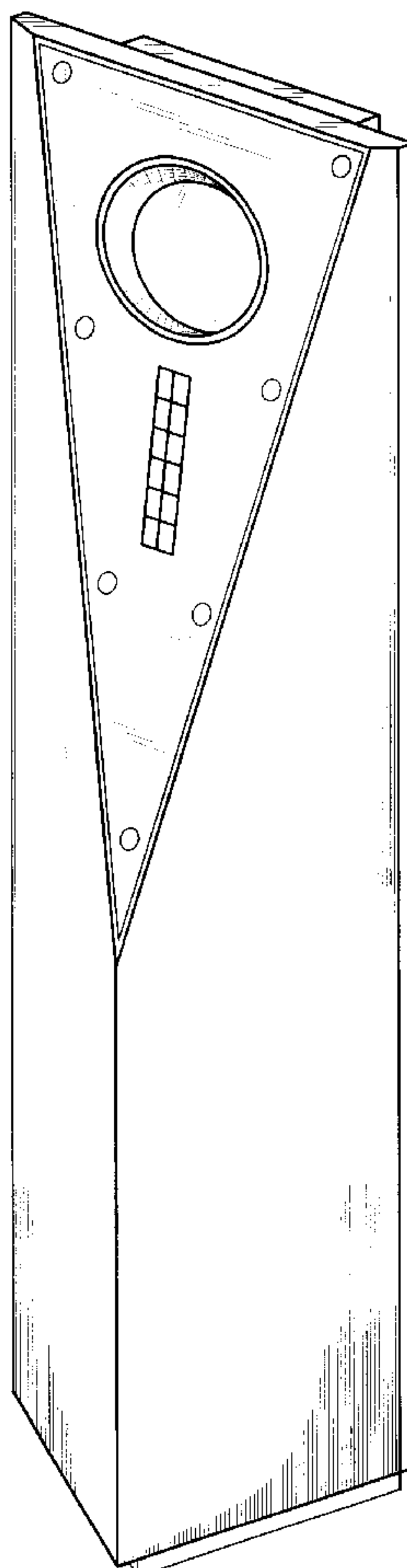
FIG. 13 is a top plan view thereof; and,

FIG. 14 is a bottom plan view thereof.

* cited by examiner

Primary Examiner—Nanda Bondade

1 Claim, 8 Drawing Sheets



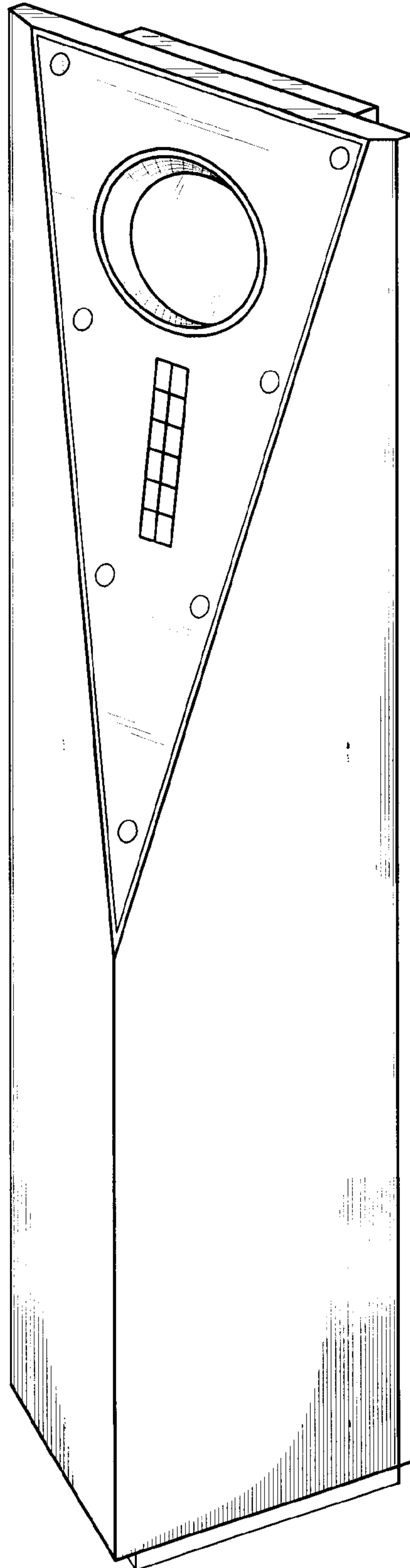


Fig. 1

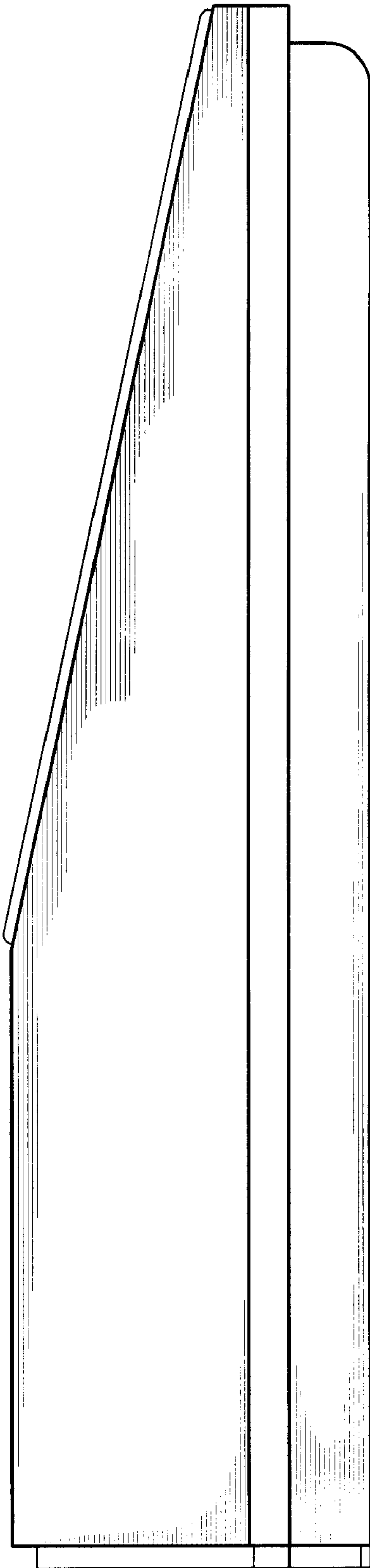


Fig. 2

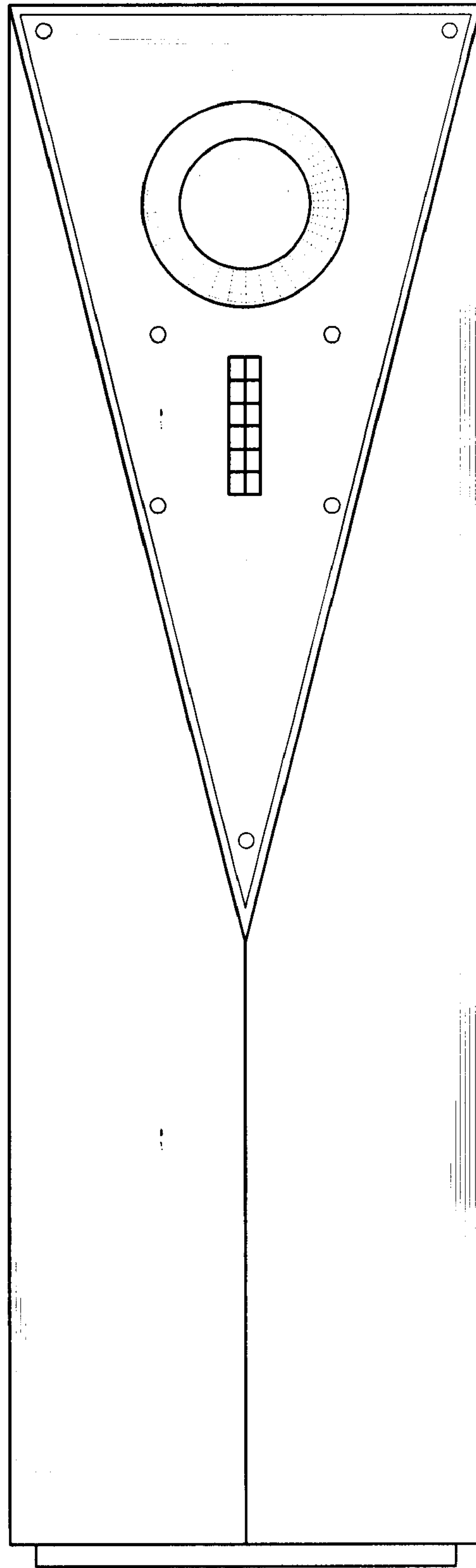


Fig. 3

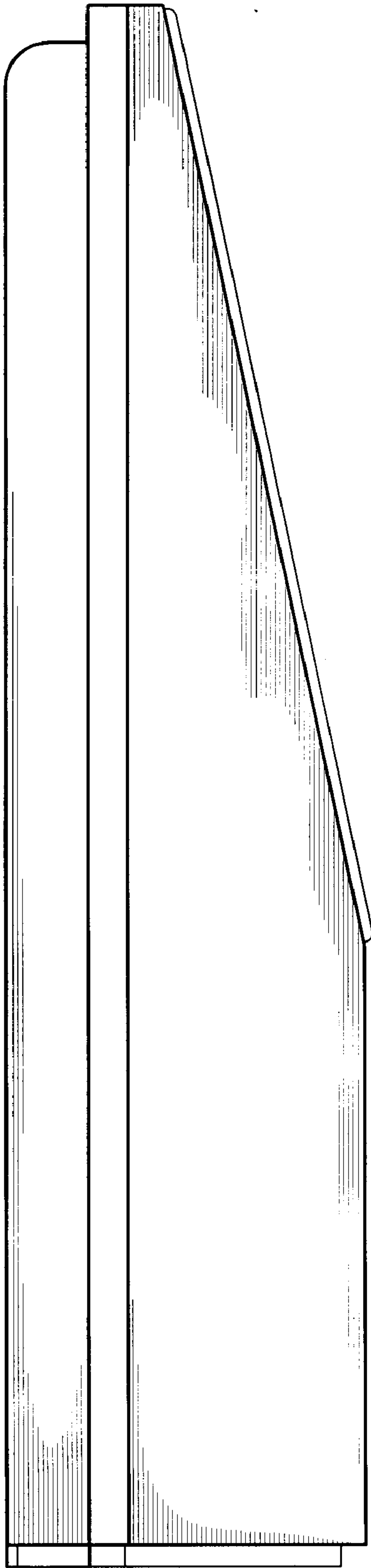


Fig. 4

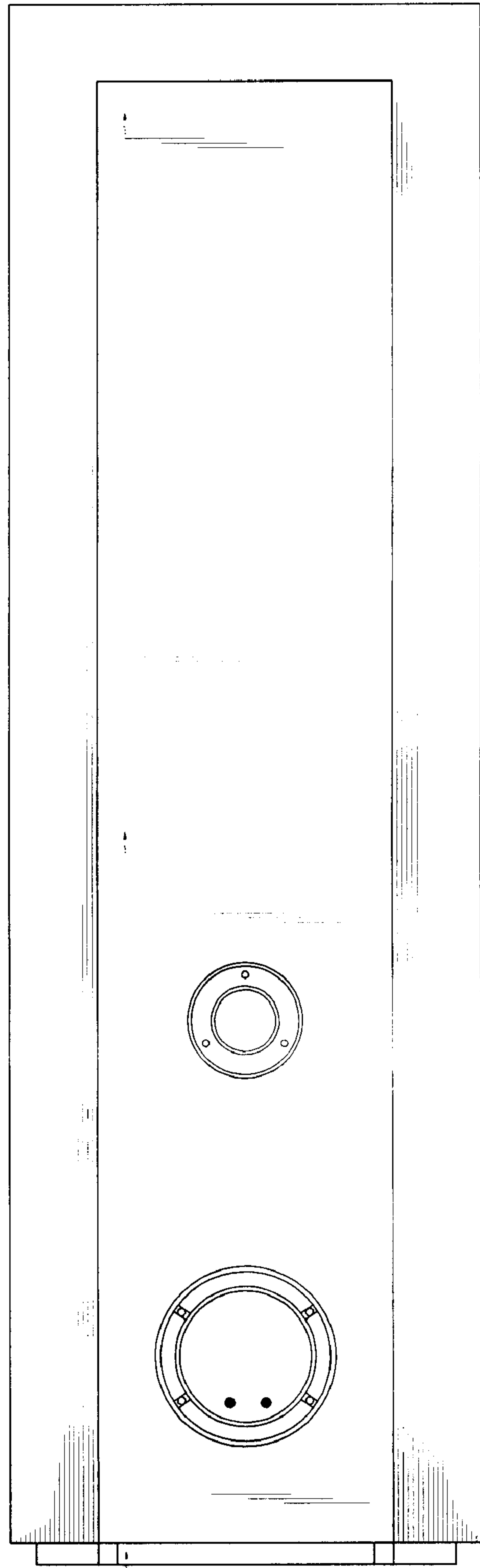


Fig. 5

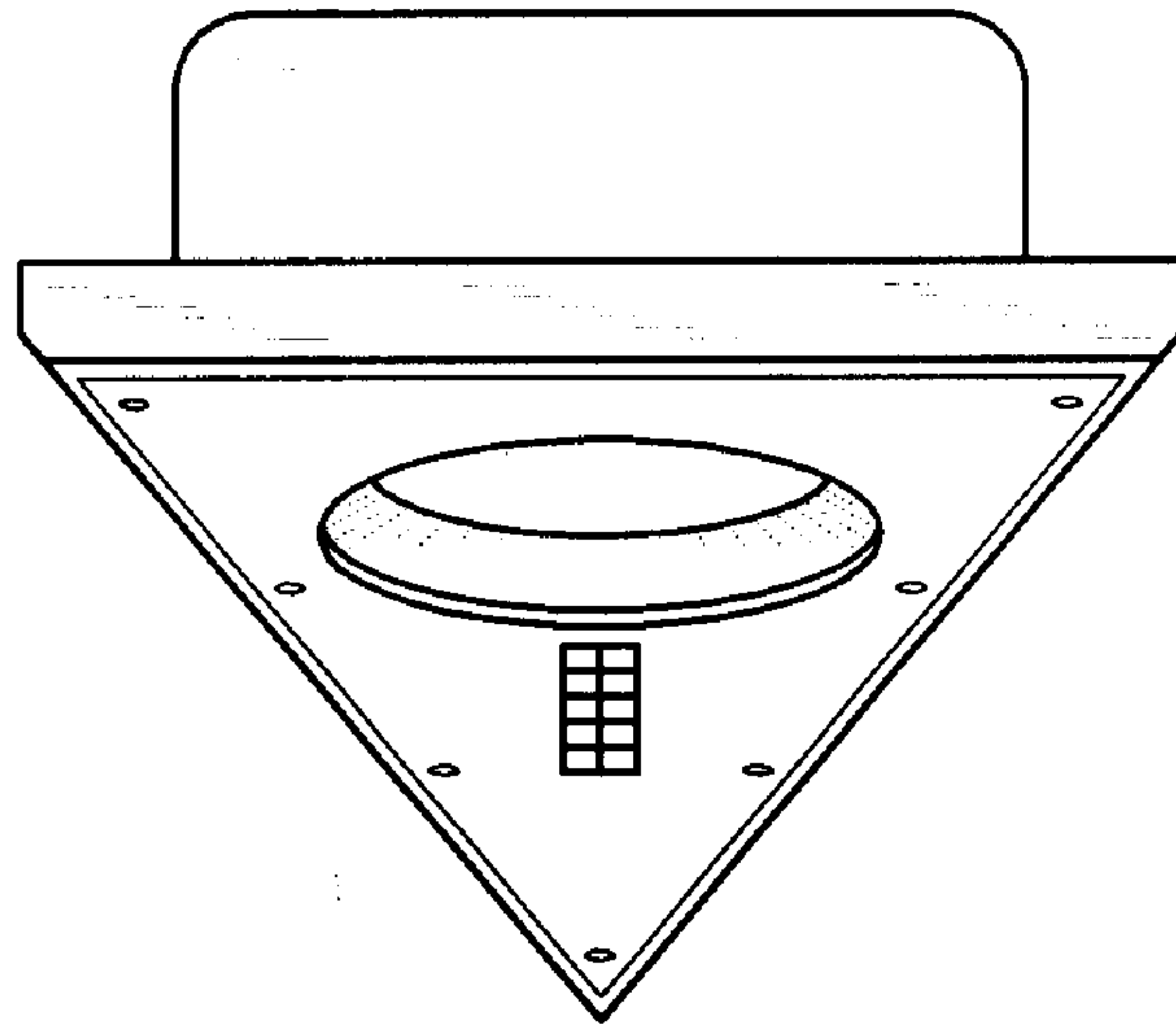


Fig. 6

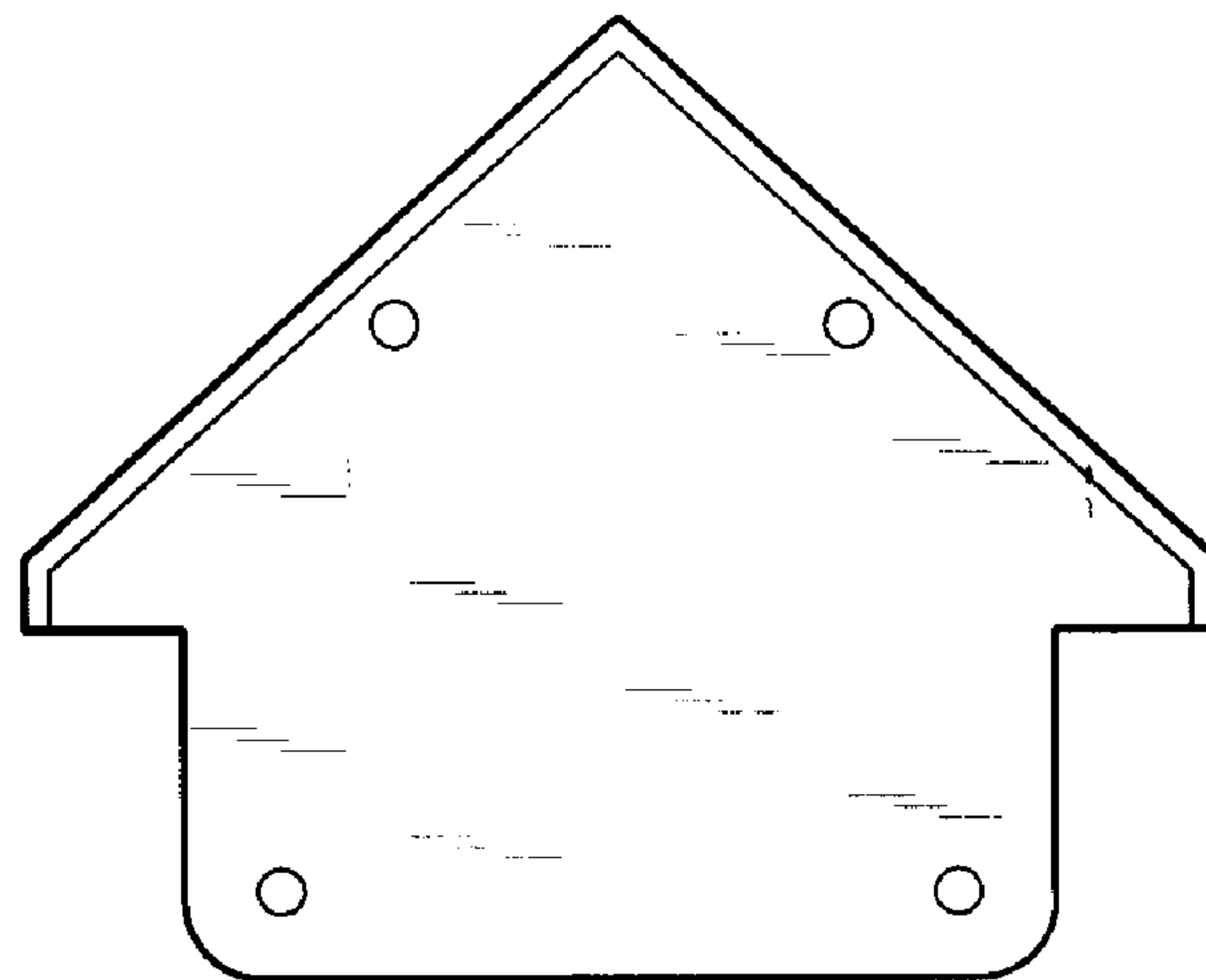


Fig. 7

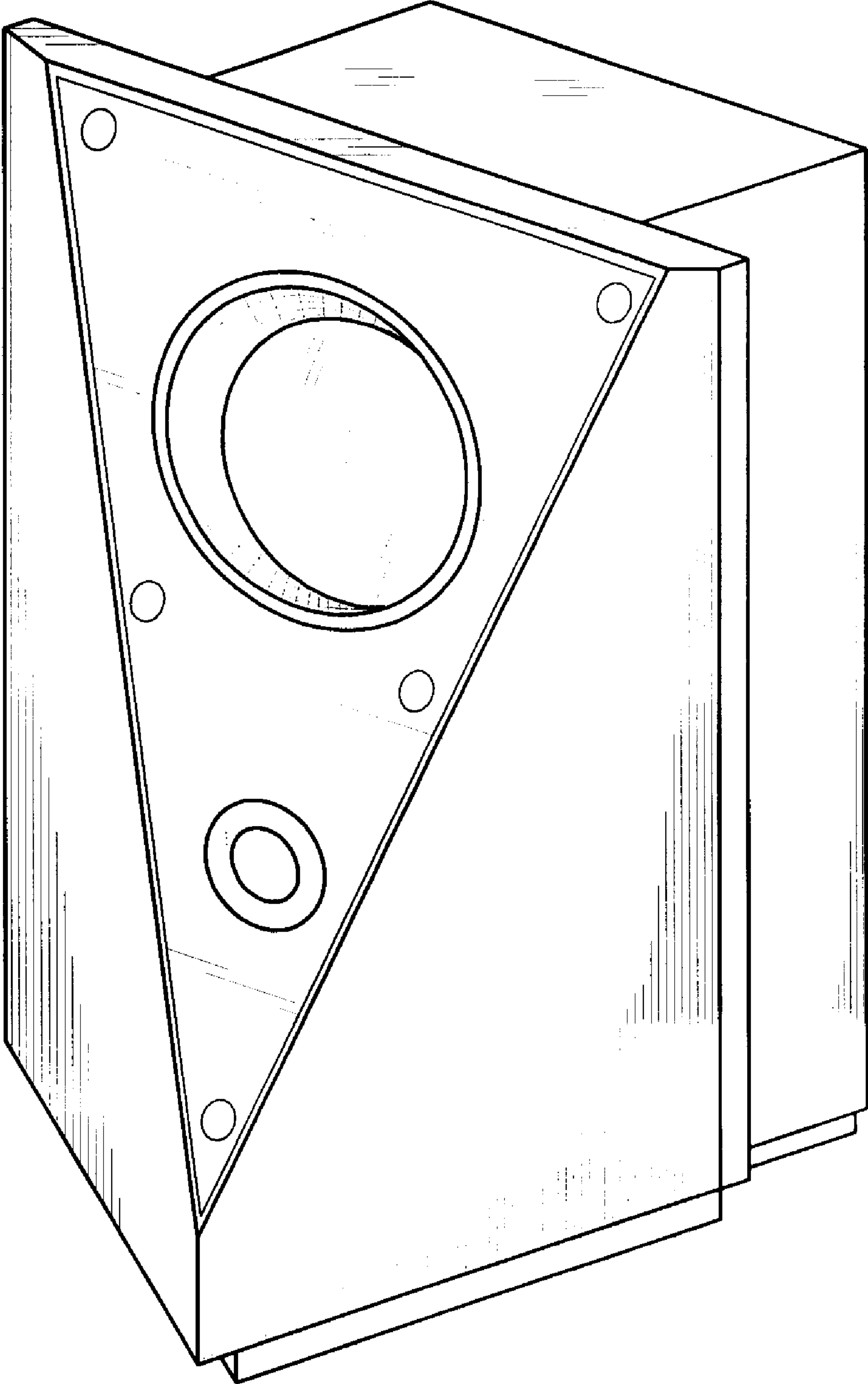


Fig. 8

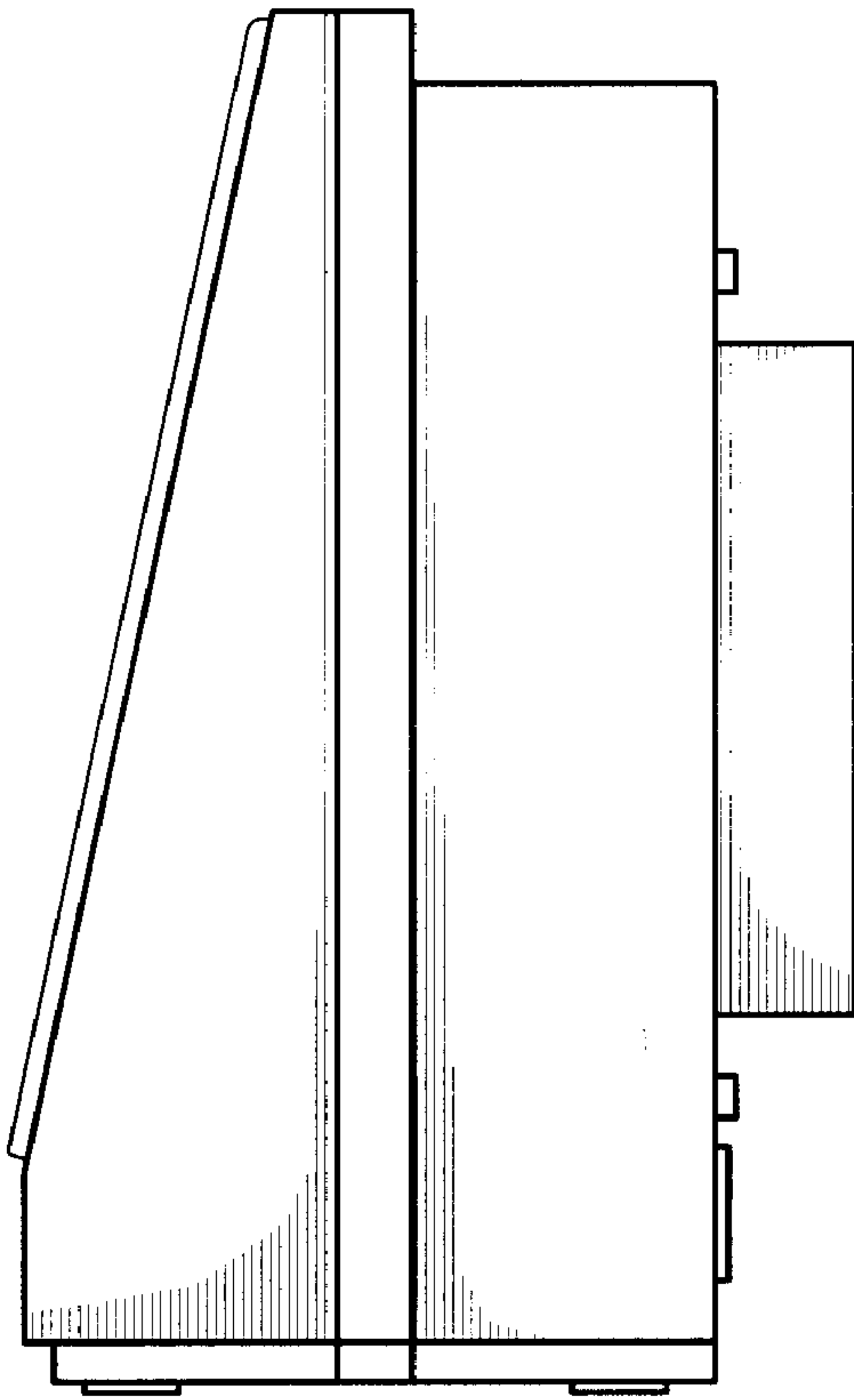


Fig. 9

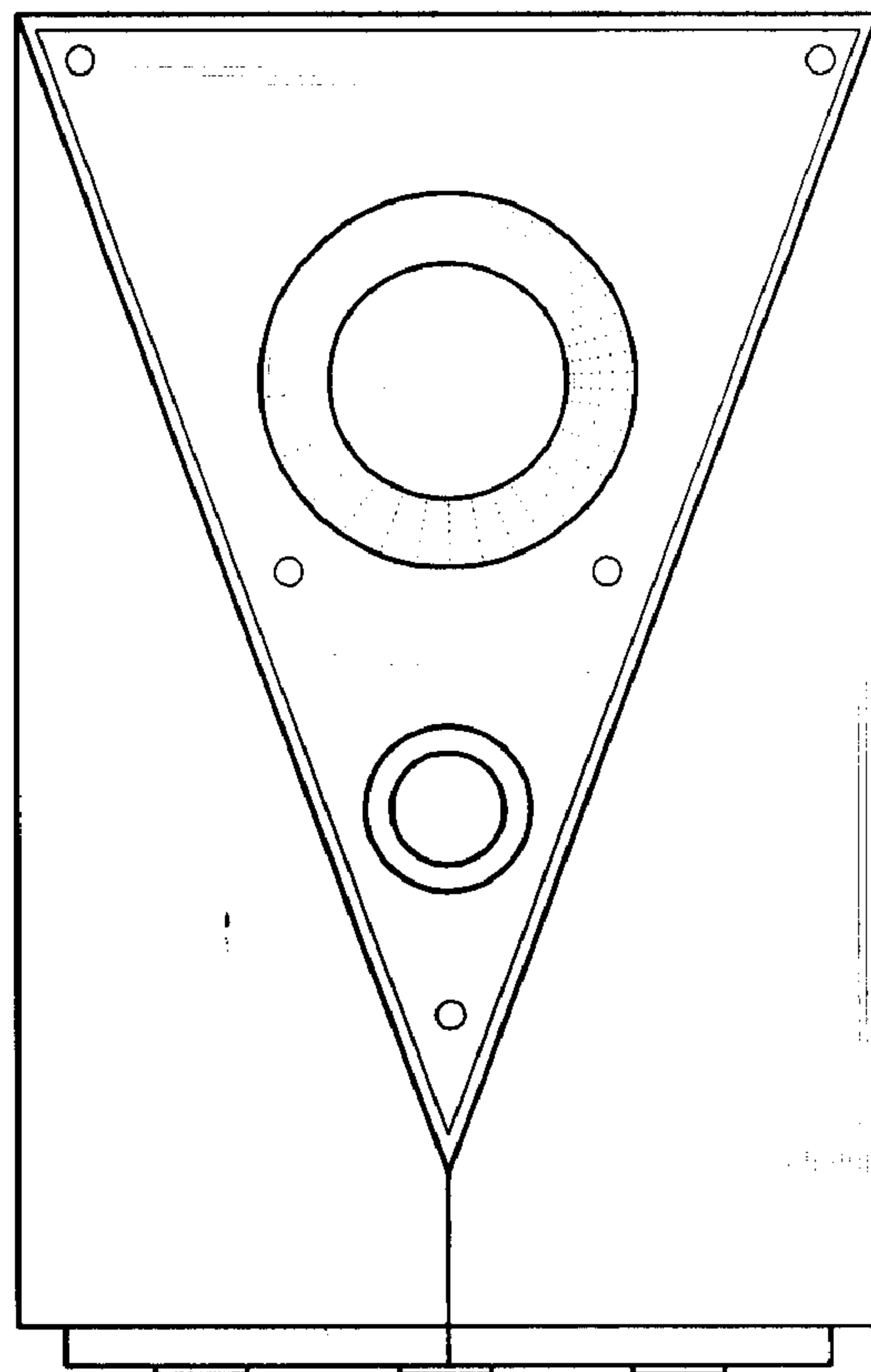


Fig. 10

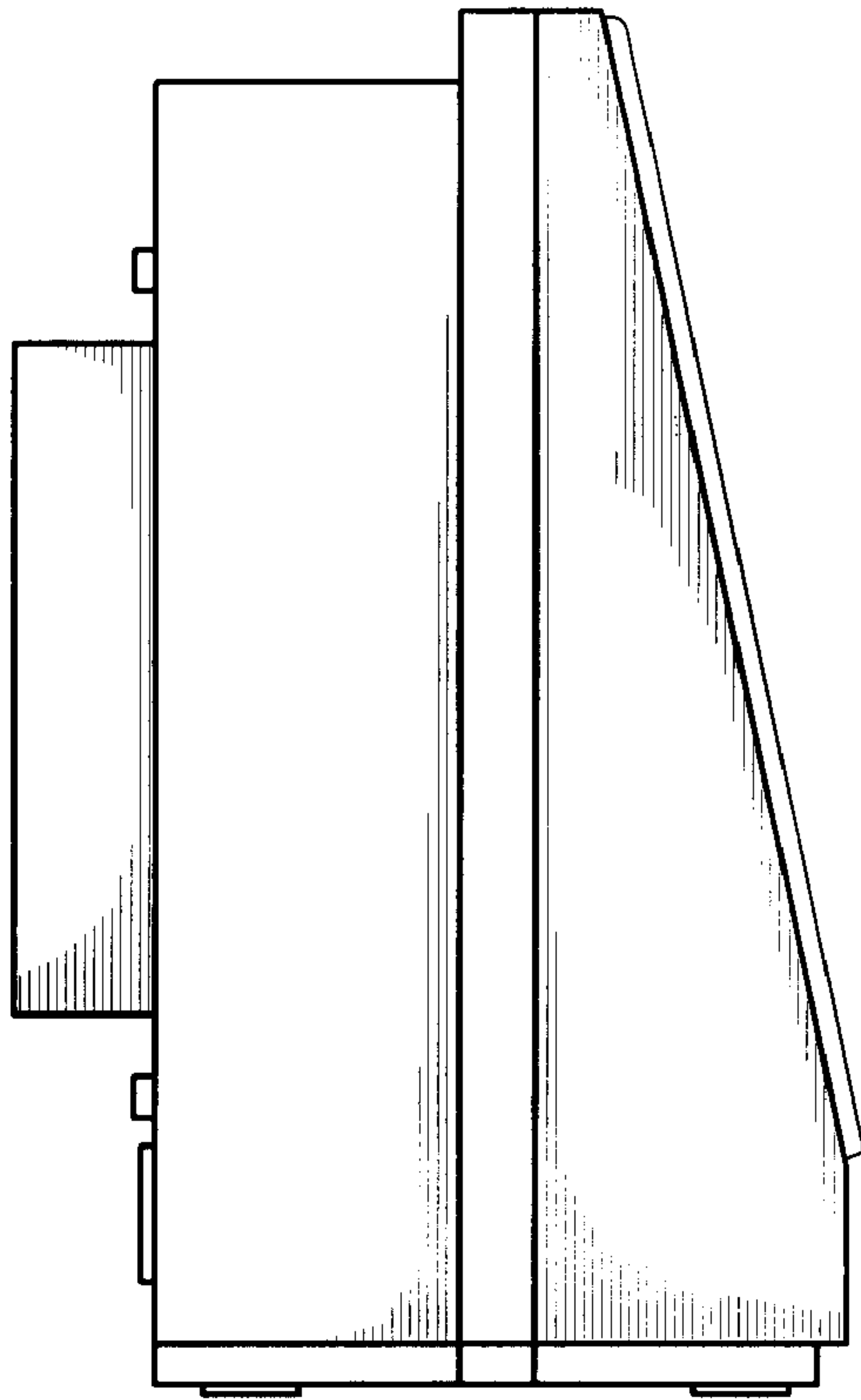


Fig. 11

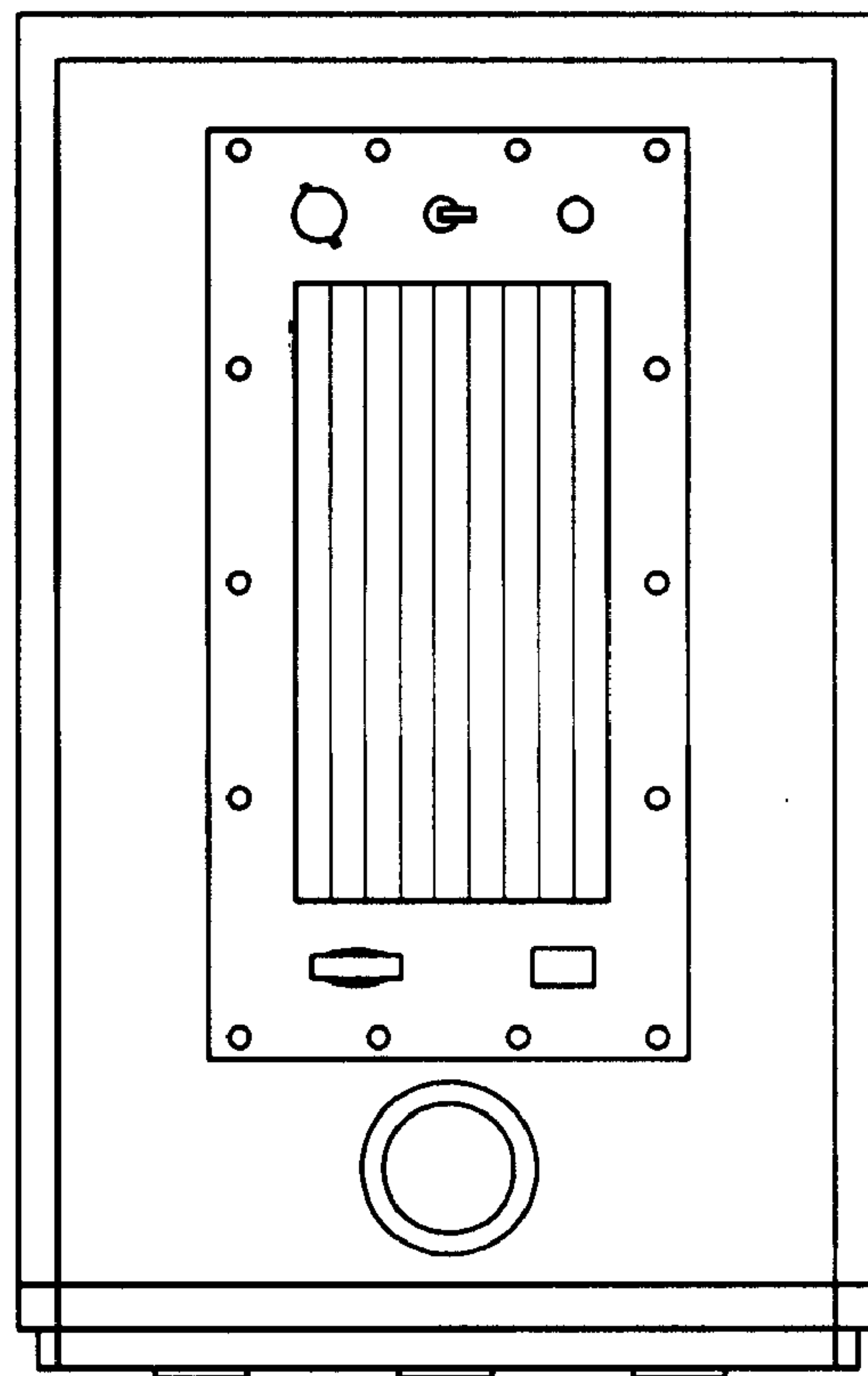


Fig. 12

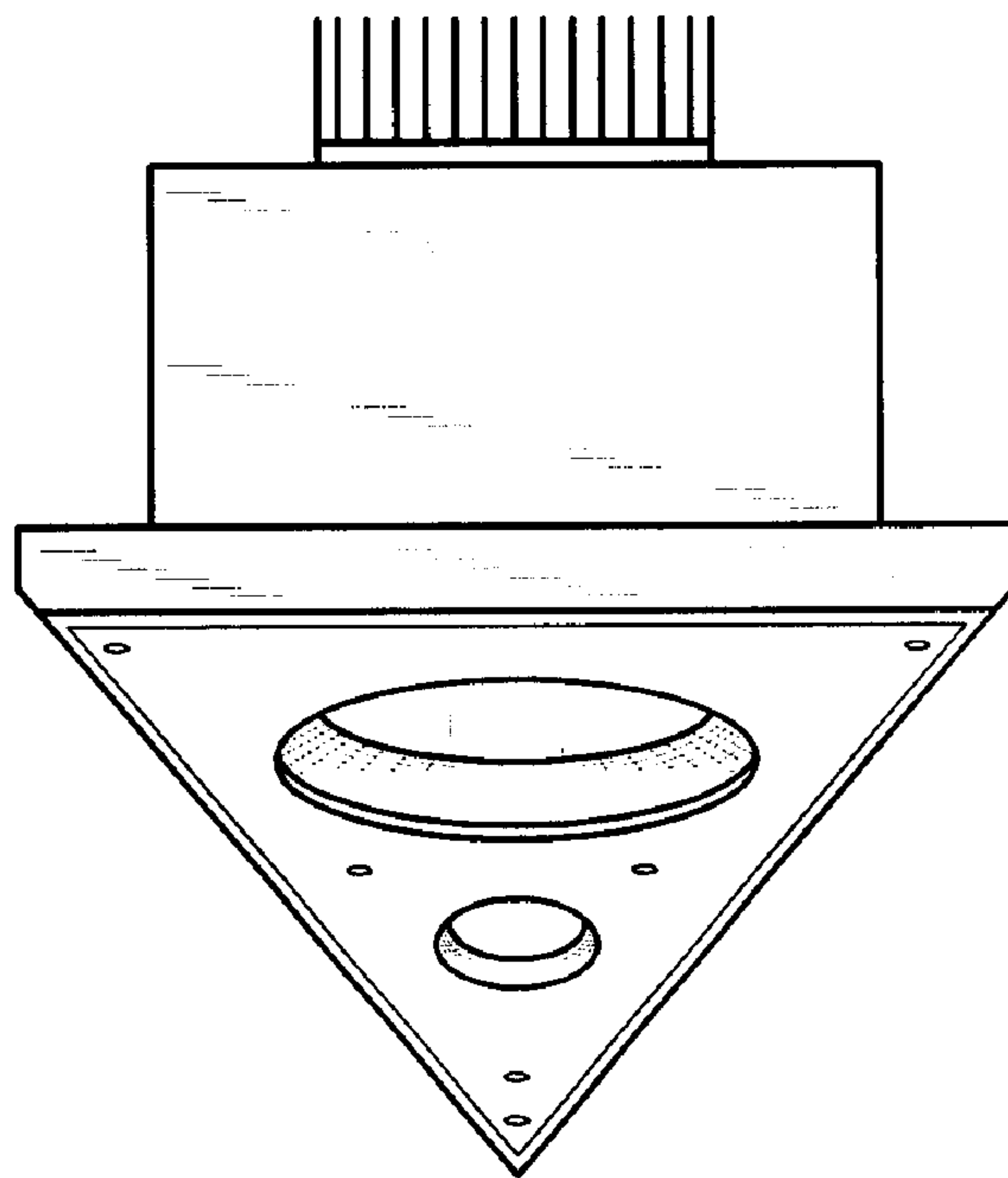


Fig. 13

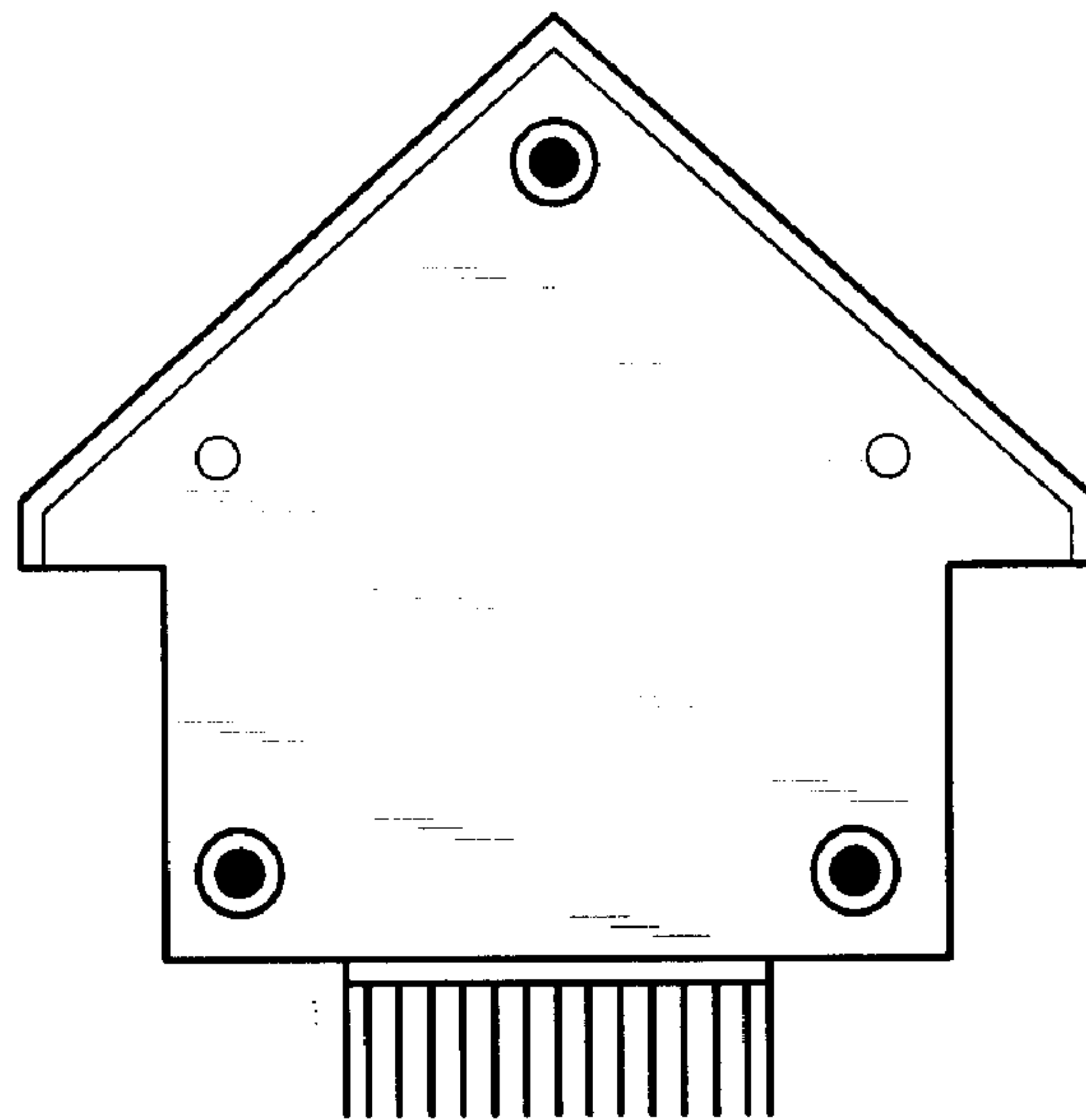


Fig. 14