



US00D505931S

(12) **United States Design Patent**  
**Oikawa**

(10) **Patent No.:** **US D505,931 S**  
(45) **Date of Patent:** **\*\* Jun. 7, 2005**

(54) **DISC RECORDER**

(75) Inventor: **Yuji Oikawa, Tokyo (JP)**

(73) Assignee: **Sony Corporation, Tokyo (JP)**

(\*\*) Term: **14 Years**

(21) Appl. No.: **29/205,258**

(22) Filed: **May 12, 2004**

(51) **LOC (8) Cl.** ..... **14-01**

(52) **U.S. Cl.** ..... **D14/136**

(58) **Field of Search** ..... D14/445, 260.1,  
D14/258, 257, 224, 217, 198, 197, 196,  
195, 194, 193, 192, 188, 168, 167, 156,  
136, 135; 455/350, 347, 344; 369/77.1,  
75.2, 75.1

(56) **References Cited**

**U.S. PATENT DOCUMENTS**

D301,881 S	*	6/1989	Yang	.....	D14/135
D321,191 S	*	10/1991	Ito et al.	.....	D14/156
D347,844 S	*	6/1994	Diachyo	.....	D14/198
D348,064 S	*	6/1994	Saito et al.	.....	D14/193
D351,154 S	*	10/1994	Fujino	.....	D14/125
D365,816 S	*	1/1996	Starck	.....	D14/135
D370,677 S	*	6/1996	Olson	.....	D14/188
D371,789 S	*	7/1996	Weissberg et al.	.....	D14/188
D381,652 S	*	7/1997	Suzuki et al.	.....	D14/136
D383,139 S	*	9/1997	Hill et al.	.....	D14/242
D410,919 S	*	6/1999	Sato et al.	.....	D14/136
D414,182 S	*	9/1999	Miyazaki	.....	D14/156
D421,260 S	*	2/2000	Hyogo	.....	D14/167
D431,546 S	*	10/2000	Ito et al.	.....	D14/167
D432,513 S	*	10/2000	Takahashi	.....	D14/156
D433,410 S	*	11/2000	Matsuzaka	.....	D14/365
D438,521 S	*	3/2001	Makino et al.	.....	D14/136
D459,334 S		6/2002	Tsuge		
D459,709 S	*	7/2002	Kojima et al.	.....	D14/136
D459,715 S		7/2002	Tejima		
D462,941 S	*	9/2002	Woo	.....	D14/136
D466,876 S	*	12/2002	Usami et al.	.....	D14/136
D467,567 S	*	12/2002	Tsuge	.....	D14/156

D469,428 S	*	1/2003	Senda et al.	.....	D14/257
D470,119 S	*	2/2003	Ota	.....	D14/167
D472,534 S	*	4/2003	Ueno et al.	.....	D14/136
D472,547 S	*	4/2003	Dendou et al.	.....	D14/242
D473,202 S		4/2003	Ishibashi et al.		
D475,036 S	*	5/2003	Tejima	.....	D14/168
D479,519 S	*	9/2003	Hisatsune	.....	D14/168
D480,693 S	*	10/2003	Johansson et al.	.....	D14/136
D483,728 S	*	12/2003	Kim	.....	D14/136
D483,729 S	*	12/2003	Huang et al.	.....	D14/136
D485,541 S	*	1/2004	Asai	.....	D14/136
D485,814 S	*	1/2004	Winkler	.....	D14/136
D486,465 S	*	2/2004	Tanaka	.....	D14/167
D493,434 S	*	7/2004	Wu	.....	D14/136
D497,148 S	*	10/2004	Kamata et al.	.....	D14/136

**OTHER PUBLICATIONS**

Sony DVP-NS775V <http://www.crutchfield.com/S-ViN3h8k6gmo/cgi-bin/prodview.asp?i=158DVP775V>  
Dec. 22, 2004.\*

Sony Hard 1000CD/ Hard Disk Recorder: [http://www.superfi.co.uk/index.cfm/page/moreinfo.cfm/Product\\_ID/1126](http://www.superfi.co.uk/index.cfm/page/moreinfo.cfm/Product_ID/1126)  
Internet Archive Feb. 20, 2004.\*

(Continued)

*Primary Examiner*—Joel A. Sincavage  
*Assistant Examiner*—Austin Murphy  
(74) *Attorney, Agent, or Firm*—Rader, Fishman & Grauer PLLC

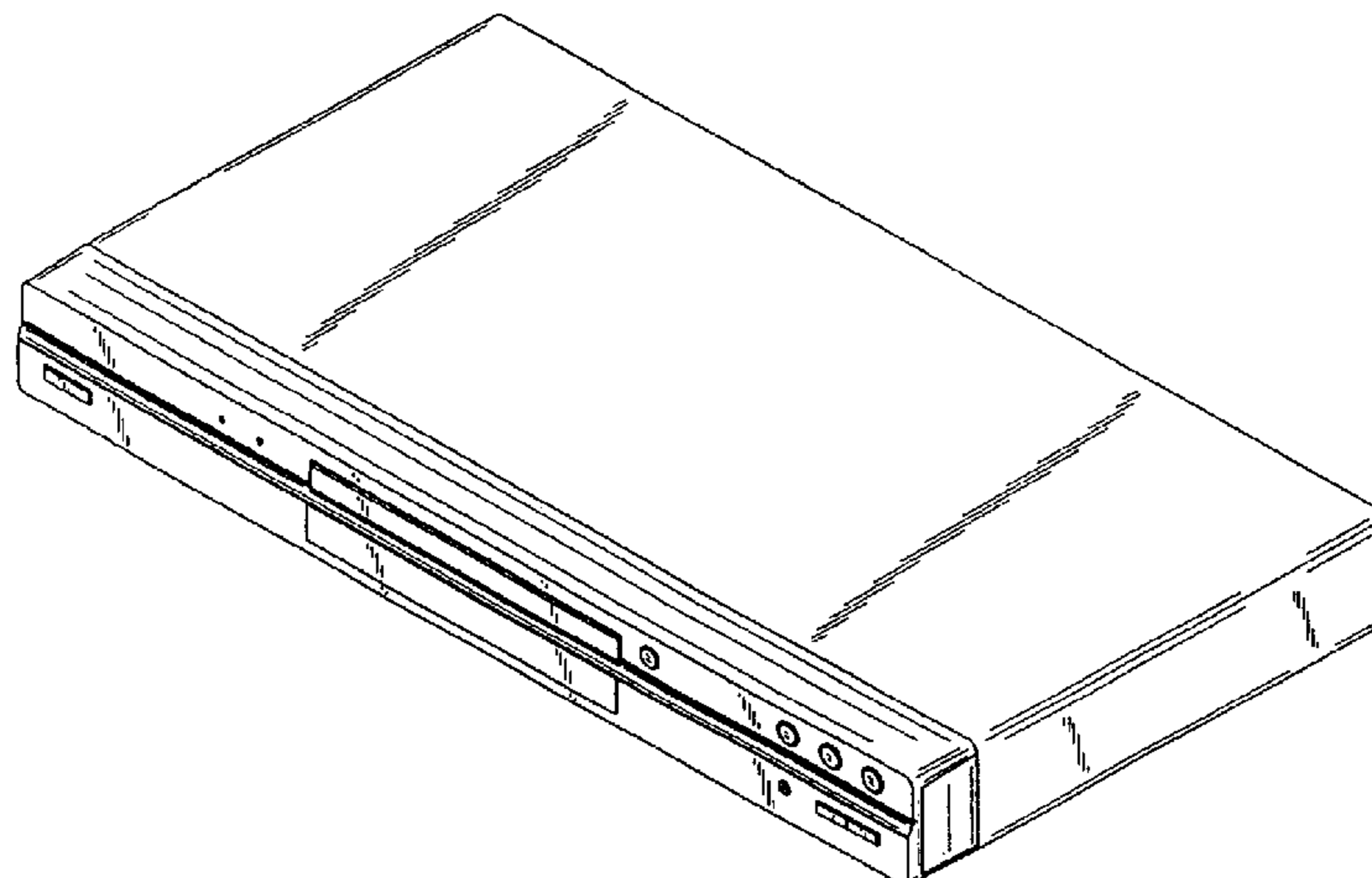
(57) **CLAIM**

The ornamental design for a disc recorder, as shown.

**DESCRIPTION**

FIG. 1 is a perspective view of a disc recorder showing my new design;  
FIG. 2 is a front elevational view thereof;  
FIG. 3 is a rear elevational view thereof;  
FIG. 4 is a left side elevational view thereof;  
FIG. 5 is a right side elevational view thereof;  
FIG. 6 is a top plan view thereof; and,  
FIG. 7 is a bottom plan view thereof.

**1 Claim, 4 Drawing Sheets**



OTHER PUBLICATIONS

Sony HARLH500 CD/Hard Disk Recorder: [http://www.superfi.co.uk/index.cfm/page/moreinfo.cfm/Product\\_ID/1584](http://www.superfi.co.uk/index.cfm/page/moreinfo.cfm/Product_ID/1584) Internet Archive Dec. 5, 2003.\*

Sony RDRHX900 DVD Recorder/ Hard Drive <http://www.sonystyle.ca/commerce/servlet/ProductDetailDisplay?storeId=10001&langId=-1&catalogId=10001&navigation-Path=45940n47000&productId=1000360> Dec. 22, 2004.\*

Web page “sony style, DVP-NC725” [http://www.sonystyle.com/is-bin/INTERSHIP.enfinity/eCS/Store/en/-/USD/SY\\_DisplayProductInform . . .](http://www.sonystyle.com/is-bin/INTERSHIP.enfinity/eCS/Store/en/-/USD/SY_DisplayProductInform...), 1 sheet, Sony (Mar. 2004).

Web page “DVD-S75-S” <http://www.yodobashi.com/enjoy/more/i/8789271.html> 1 sheet, Yodobashi Camera (Mar. 2004).

\* cited by examiner

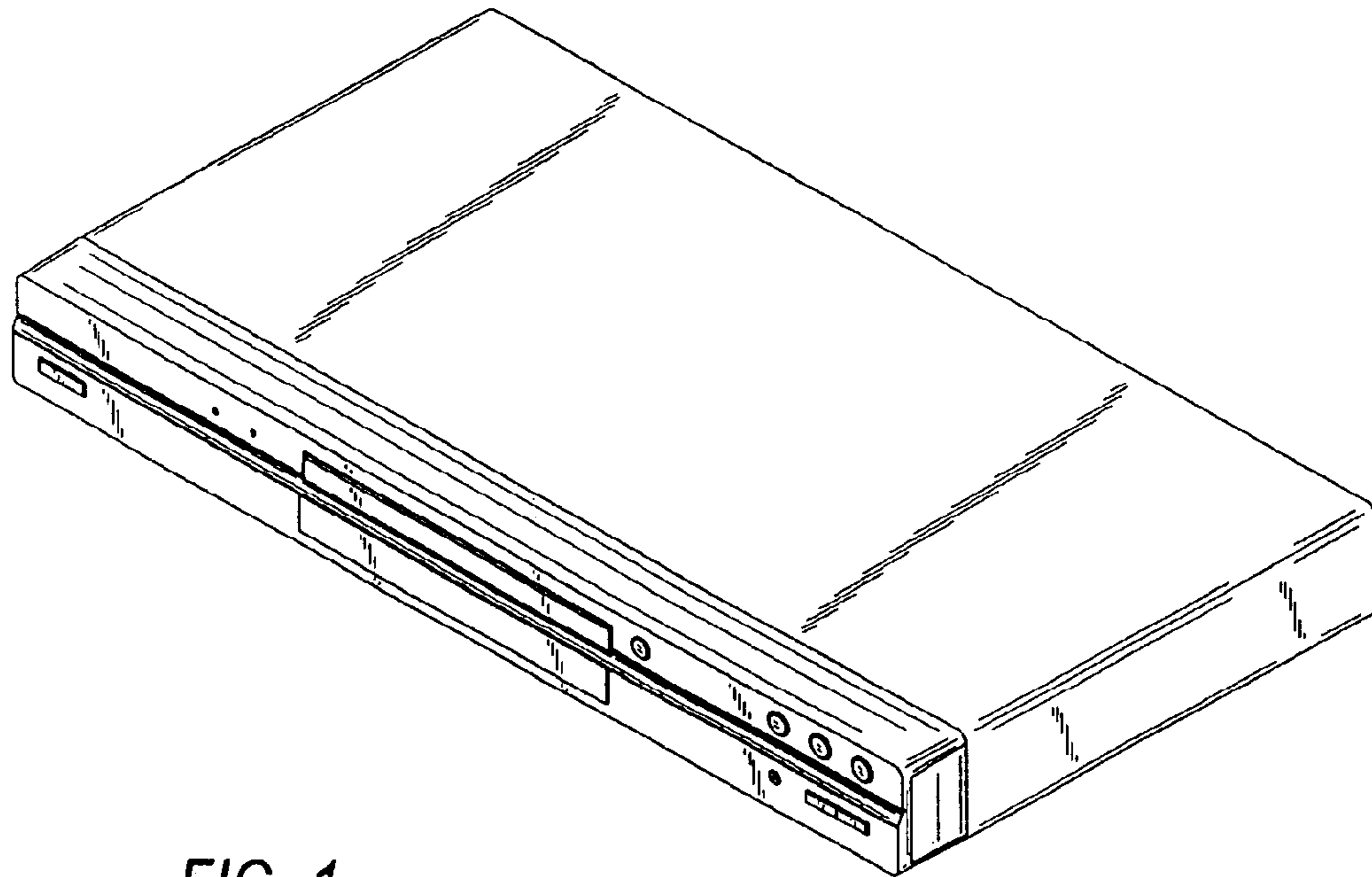


FIG. 1

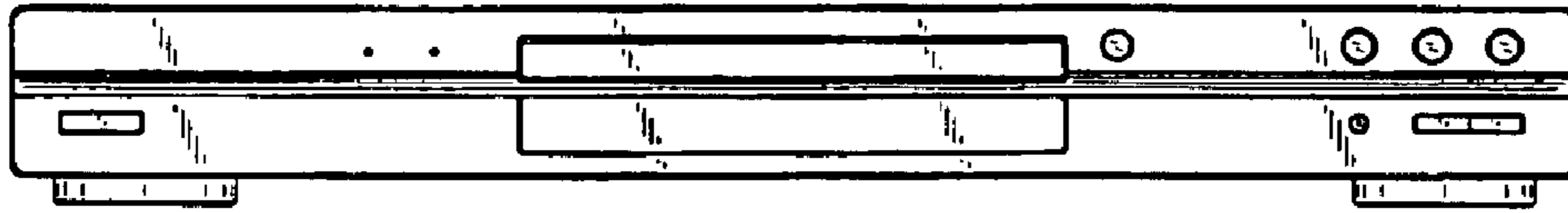


FIG. 2

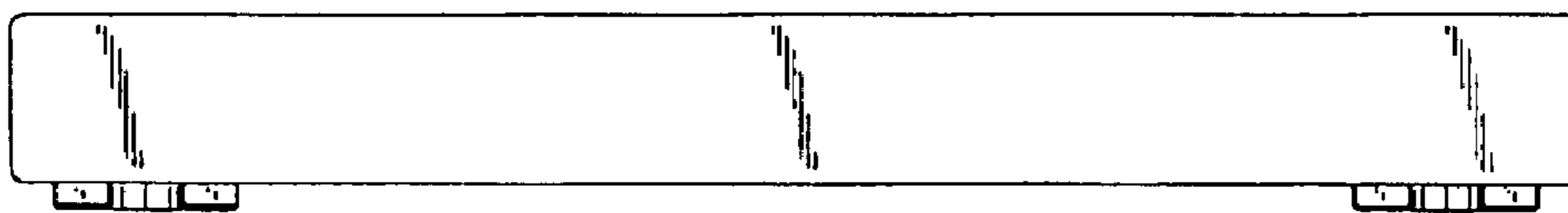
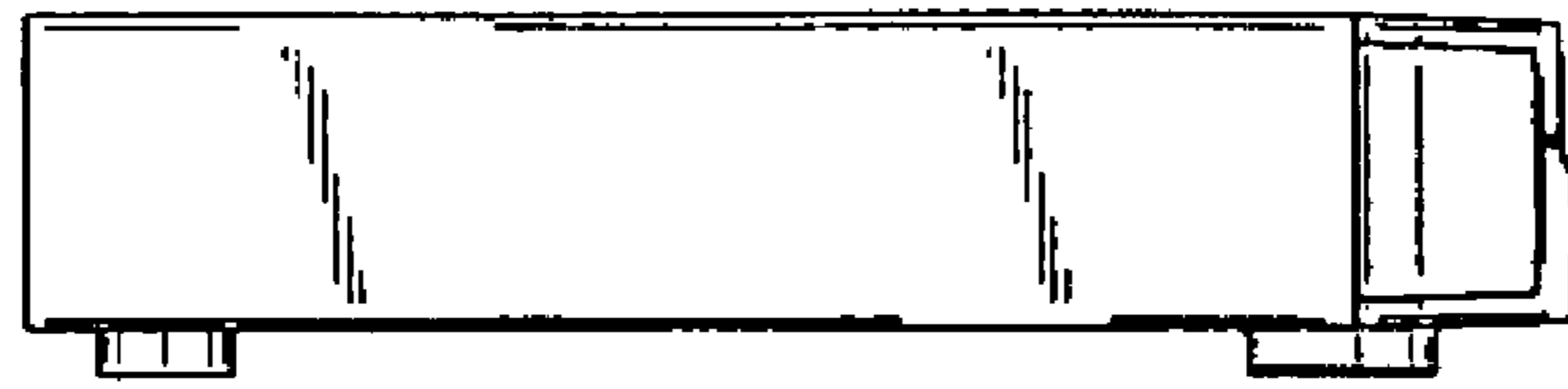
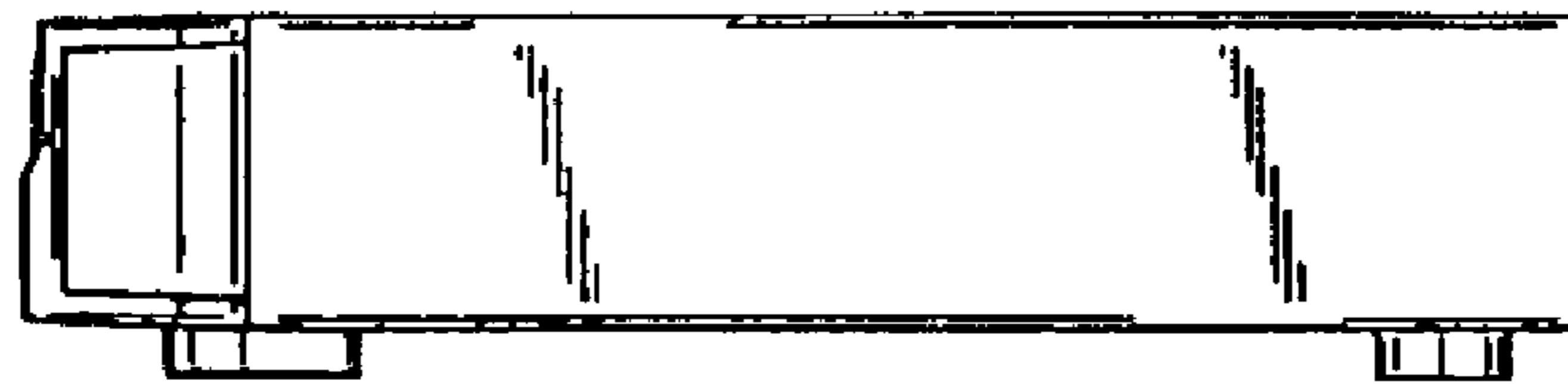


FIG. 3



*FIG. 4*



*FIG. 5*

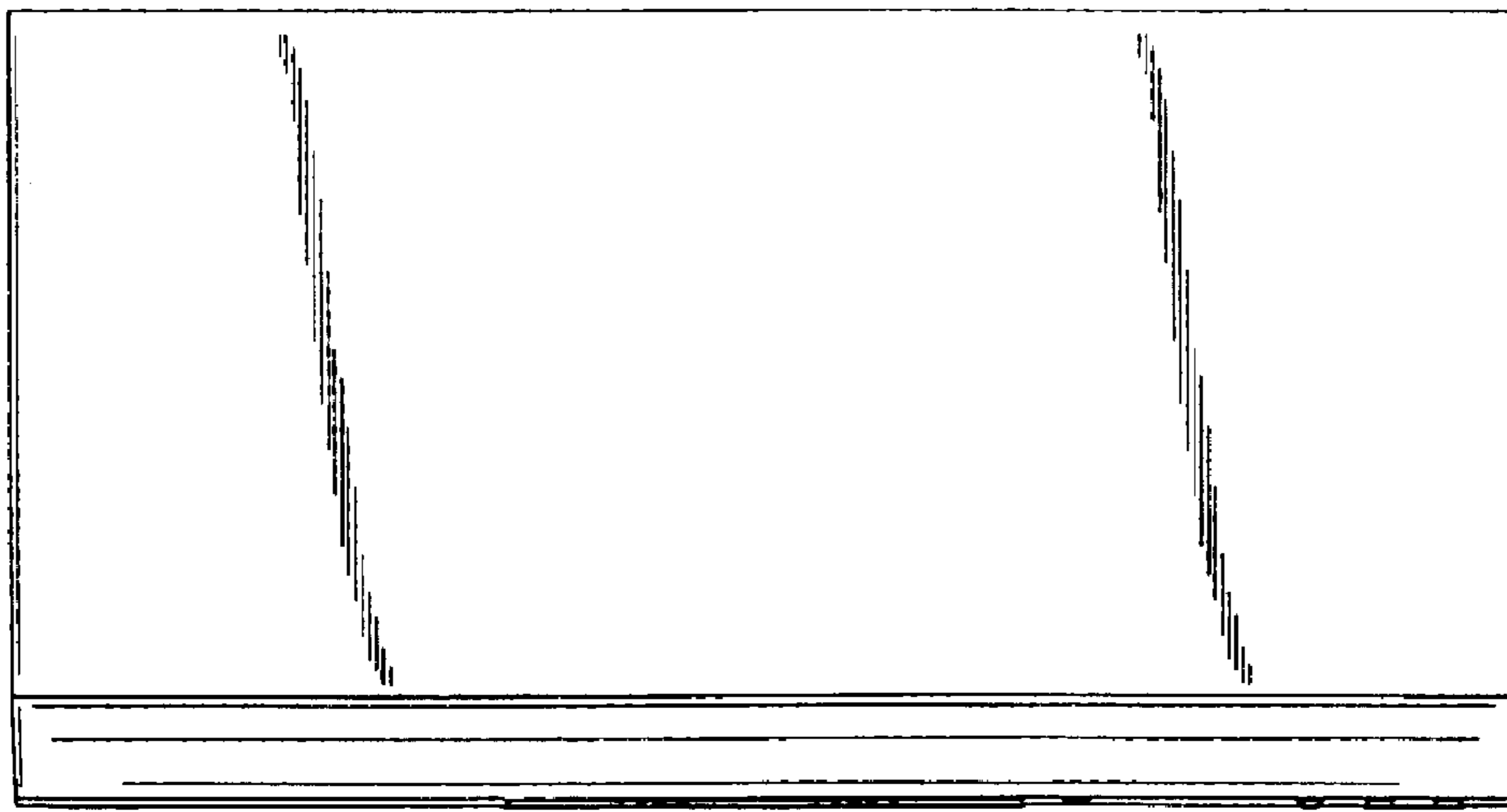


FIG. 6

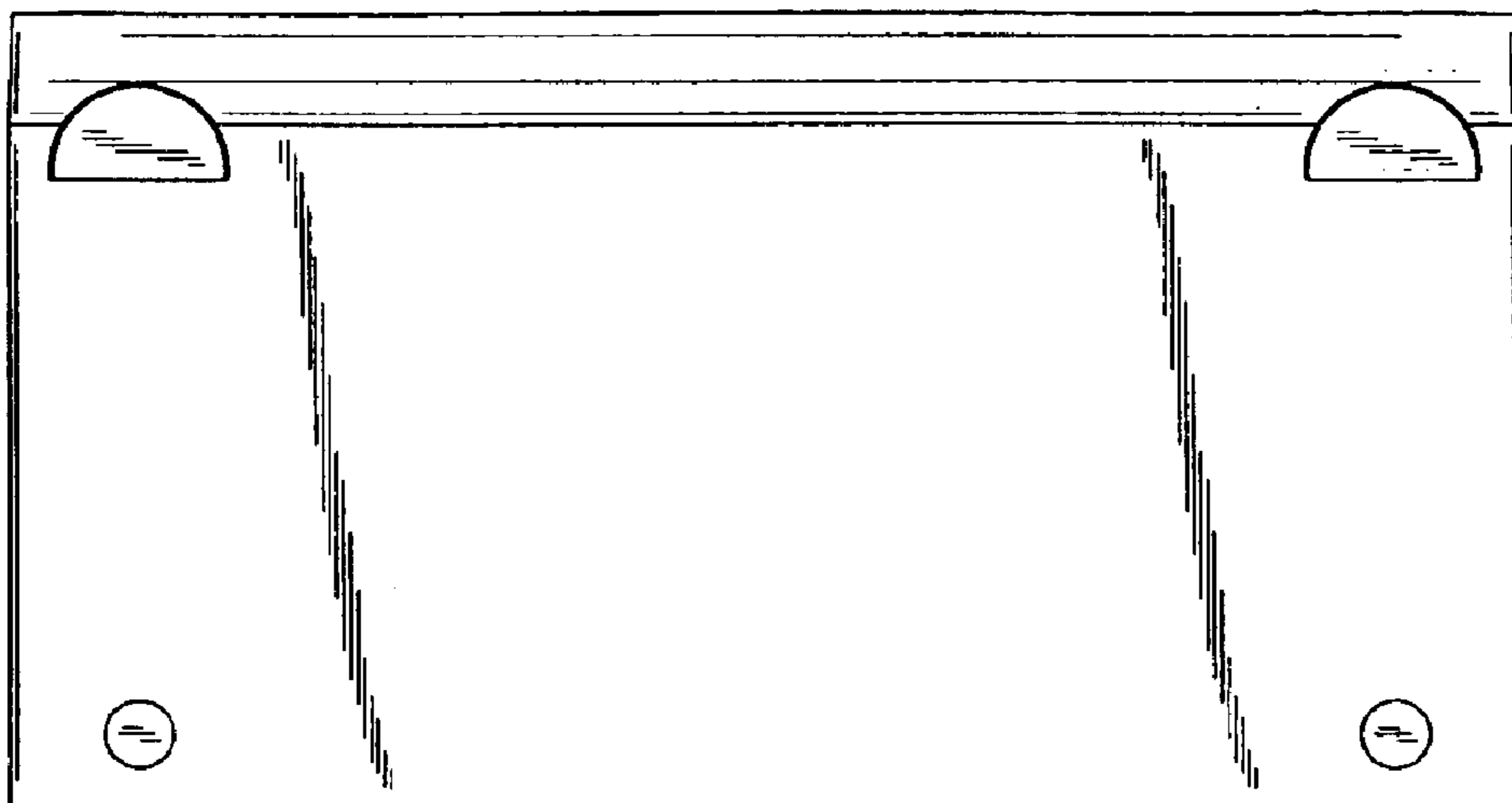


FIG. 7