



US00D505928S

(12) **United States Design Patent**  
**Nam**

(10) **Patent No.:** **US D505,928 S**

(45) **Date of Patent:** **\*\* Jun. 7, 2005**

(54) **DVD PLAYER**

(75) **Inventor:** **Bo Hyun Nam, Seoul (KR)**

(73) **Assignee:** **LG Electronics Inc., Seoul (KR)**

(\*\*) **Term:** **14 Years**

(21) **Appl. No.:** **29/199,188**

(22) **Filed:** **Feb. 12, 2004**

(30) **Foreign Application Priority Data**

Aug. 14, 2003 (KR) ..... 30-2003-0023126

(51) **LOC (8) Cl.** ..... **14-01**

(52) **U.S. Cl.** ..... **D14/136**

(58) **Field of Search** ..... D14/135-136,  
D14/156-157, 160-165, 167-168, 192-198,  
188, 217, 257, 258, 445; 360/99.02, 99.07;  
369/75.11, 75.21, 77.21, 77.11; 720/612,  
619, 647, 655; 455/344, 347-351

(56) **References Cited**

**U.S. PATENT DOCUMENTS**

D322,068 S \* 12/1991 Yamakawa ..... D14/168

D437,303 S \* 2/2001 Hibino ..... D14/156  
D462,671 S \* 9/2002 Hasegawa et al. .... D14/136  
D484,474 S \* 12/2003 Johansson et al. .... D14/136  
D485,541 S \* 1/2004 Asai ..... D14/136

\* cited by examiner

*Primary Examiner*—Nanda Bondade

(74) *Attorney, Agent, or Firm*—Birch, Stewart, Kolasch & Birch, LLP

(57) **CLAIM**

The ornamental design for a DVD player, as shown and described.

**DESCRIPTION**

FIG. 1 is a front, left perspective view of the DVD player showing my new design;  
FIG. 2 is a front view thereof;  
FIG. 3 is a rear view thereof;  
FIG. 4 is a left side view thereof, the right side view being a mirror image thereof;  
FIG. 5 is a top plan view thereof; and,  
FIG. 6 is a bottom view thereof.

**1 Claim, 2 Drawing Sheets**

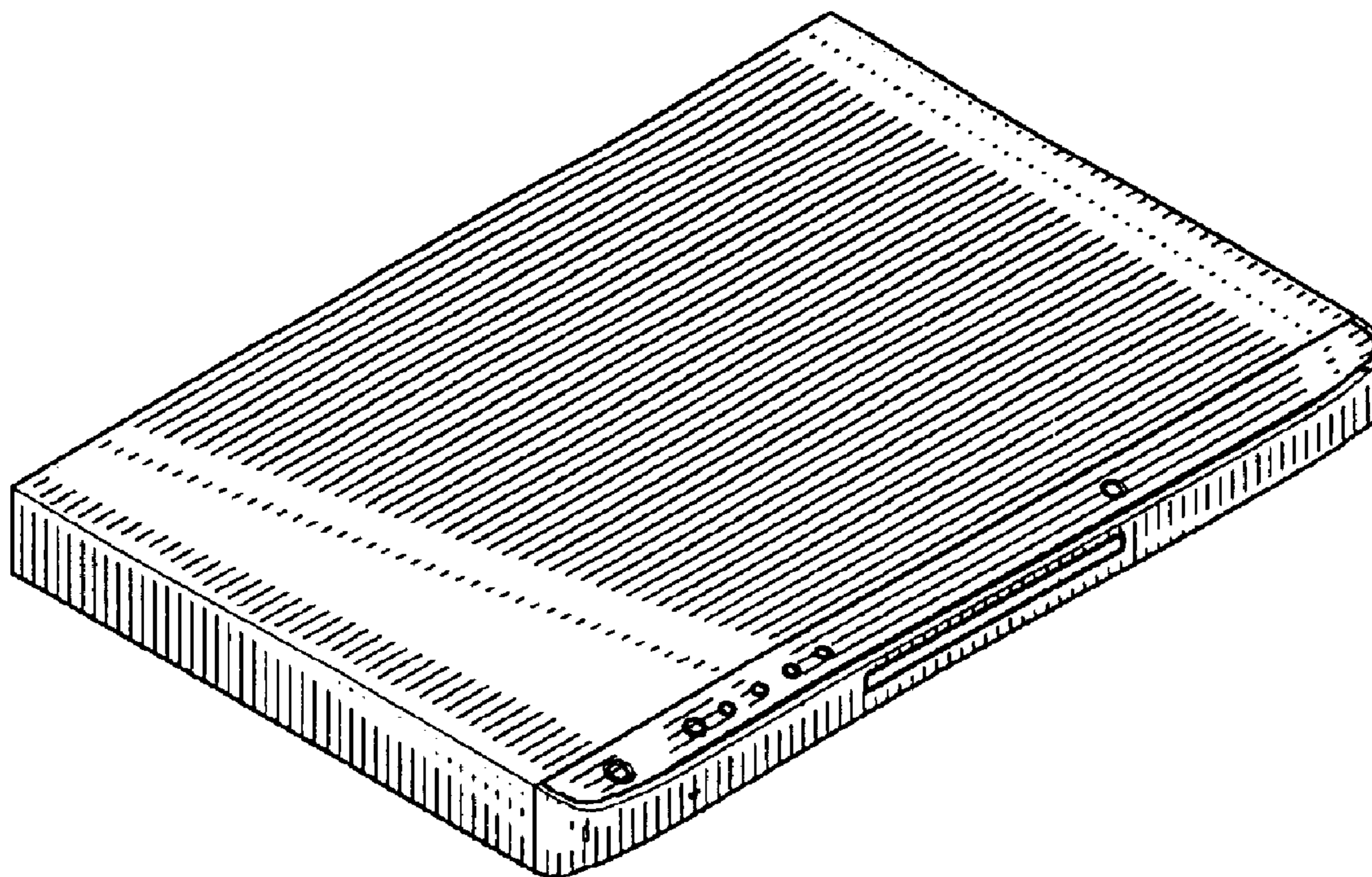


FIG. 1

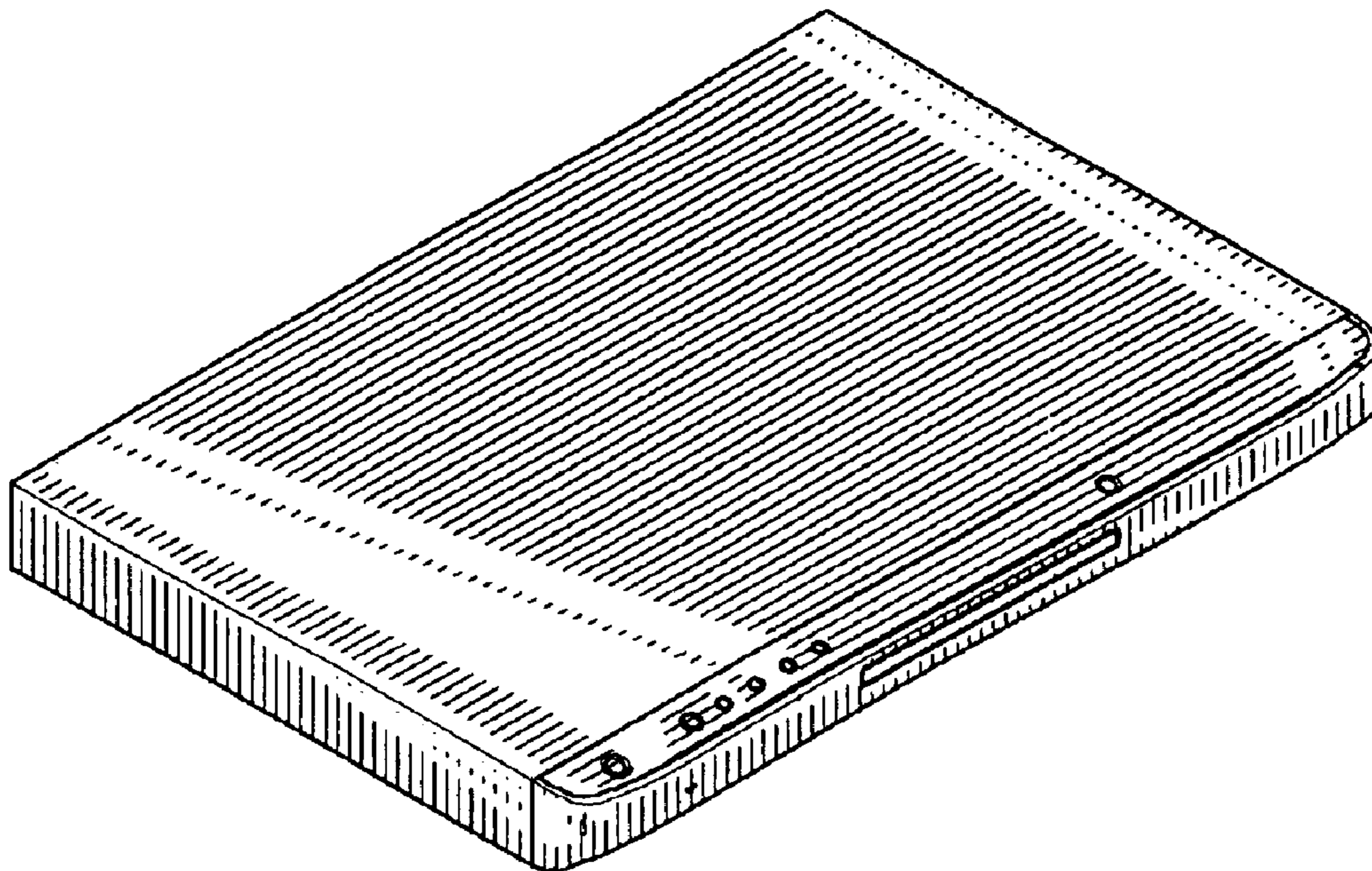


FIG. 2

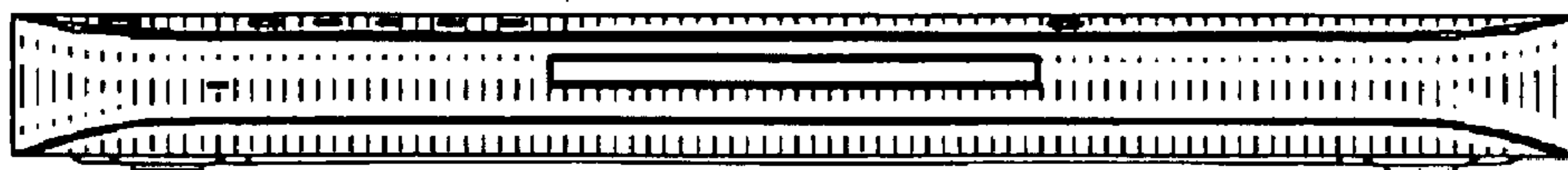


FIG. 3

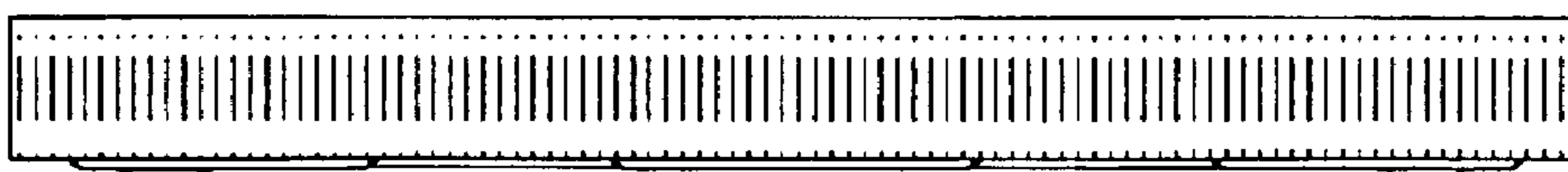


FIG. 4



FIG. 5

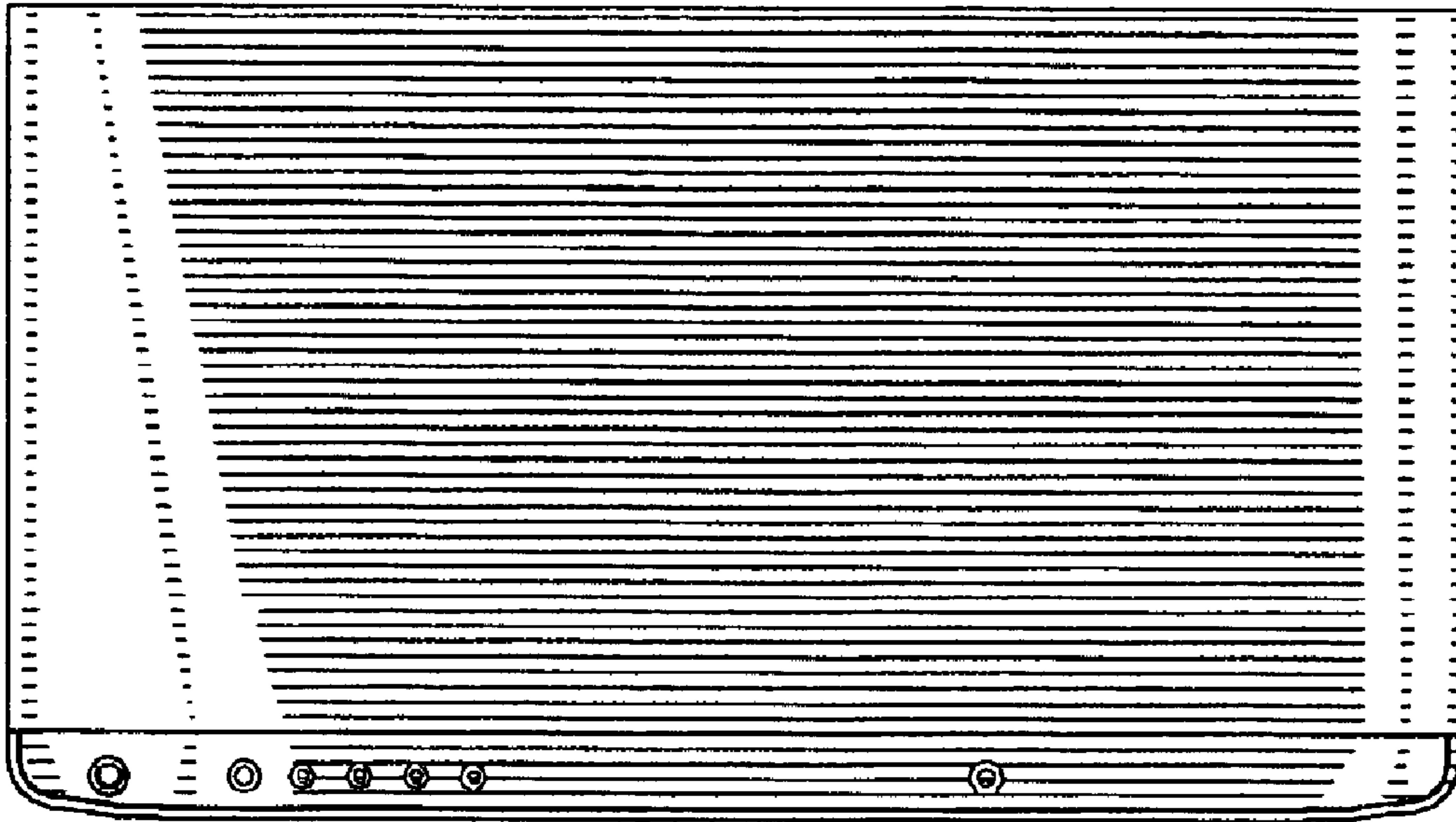


FIG. 6

