



US00D505925S

(12) **United States Design Patent**
Koo

(10) **Patent No.:** **US D505,925 S**
(45) **Date of Patent:** **** Jun. 7, 2005**

(54) **REPEATER CIRCUIT BOARD DESIGN**

2004/0160376 A1 * 8/2004 Hornsby et al. 343/770

(76) **Inventor:** **Kyung Hee Koo**, 1339 Hewitt Ct.,
Fullerton, CA (US) 92833

* cited by examiner

(**) **Term:** **14 Years**

Primary Examiner—Stella Reid
Assistant Examiner—Selina Sikder
(74) *Attorney, Agent, or Firm*—Jerry H. Noh

(21) **Appl. No.:** **29/195,353**

(57) **CLAIM**

(22) **Filed:** **Dec. 11, 2003**

The ornamental design for a repeater circuit board design, as shown and described.

(51) **LOC (8) Cl.** **13-03**

(52) **U.S. Cl.** **D13/182**

(58) **Field of Search** D13/182; 343/767,
343/770; 361/796; 370/226; 455/575.1

DESCRIPTION

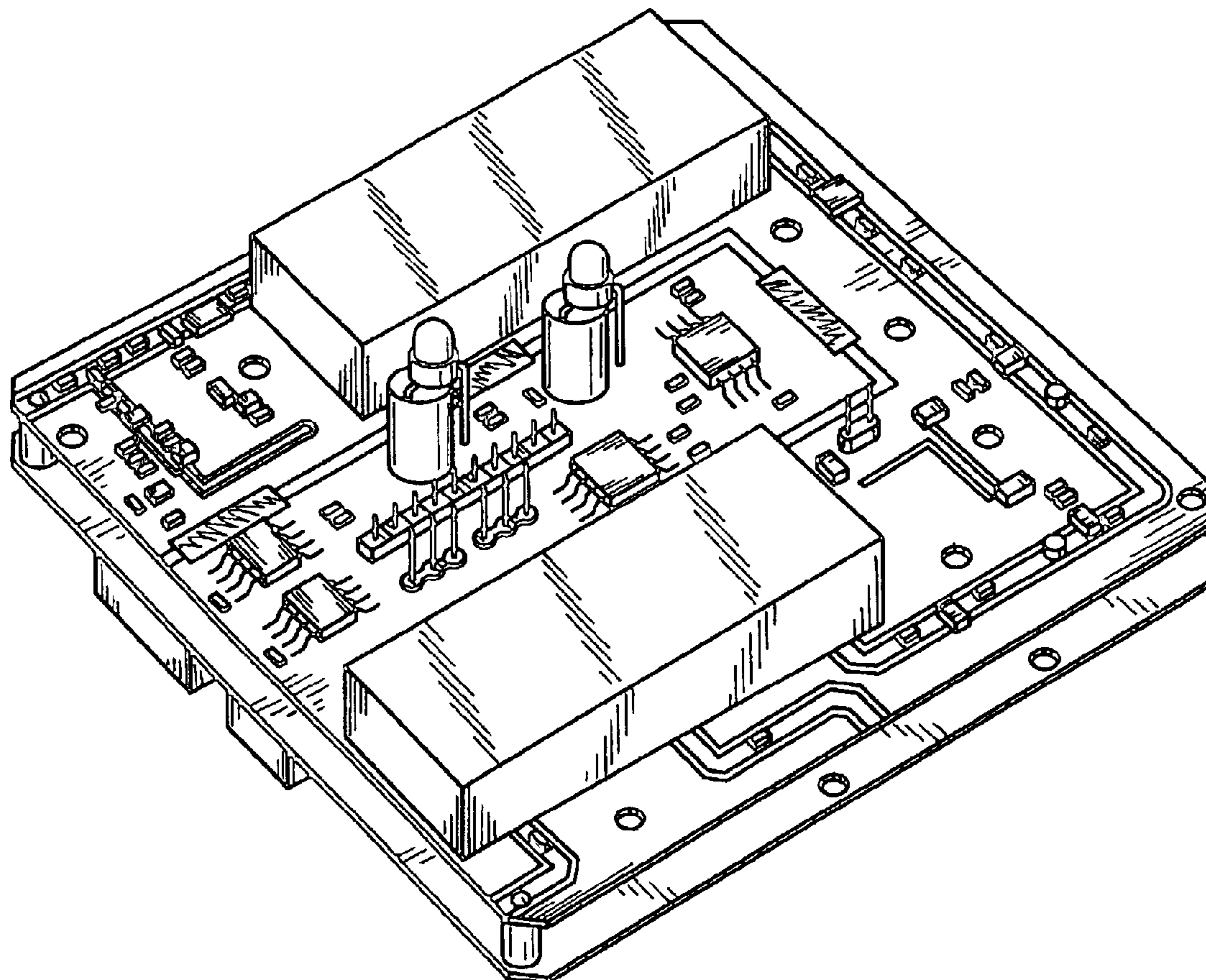
(56) **References Cited**

FIG. 1 is a top perspective view of the device;
FIG. 2 is a top plan view thereof;
FIG. 3 is a front elevational view of the device thereof;
FIG. 4 is a right side elevational view of the device thereof;
FIG. 5 is a left side elevational view of the device thereof
FIG. 6 is a rear side elevational view of the device thereof;
and,
FIG. 7 is a bottom plan view of the device thereof.

U.S. PATENT DOCUMENTS

- D363,920 S * 11/1995 Roberts et al. D13/182
- 5,848,054 A * 12/1998 Mosebrook et al. 370/226
- 6,563,714 B2 * 5/2003 Chang 361/752
- 2002/0173278 A1 * 11/2002 Fritz et al. 455/90

1 Claim, 3 Drawing Sheets



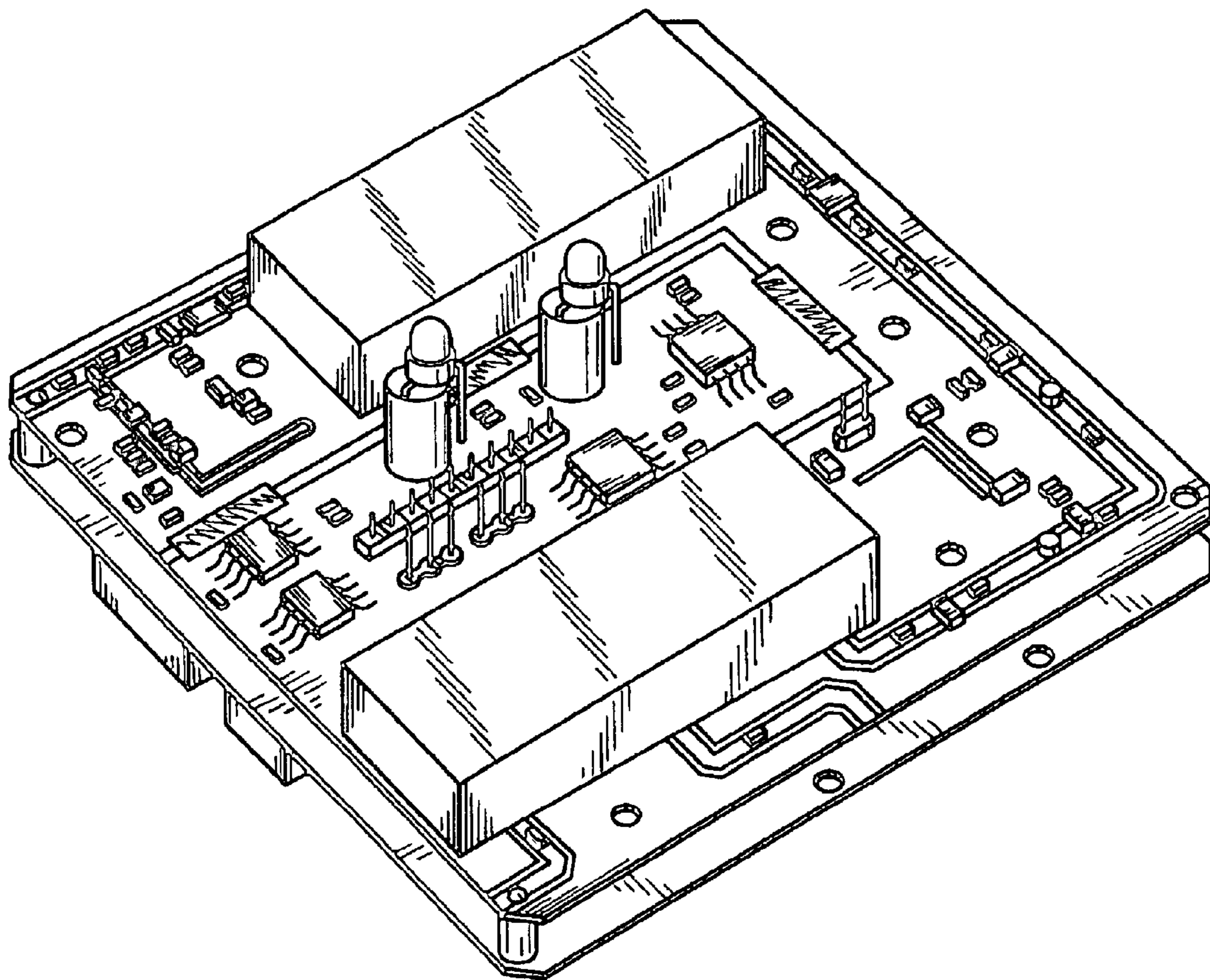


FIG. 1

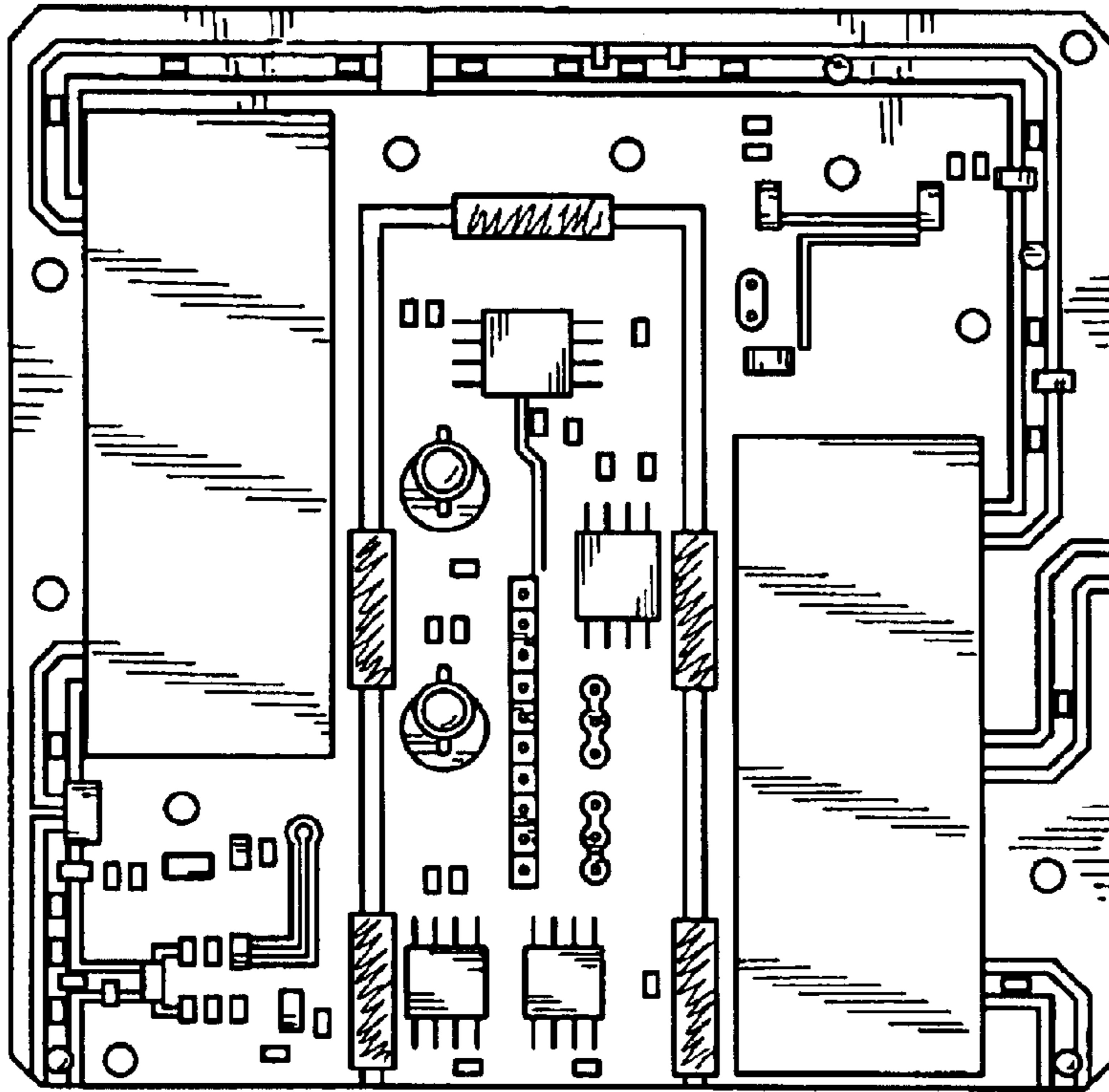


FIG. 2

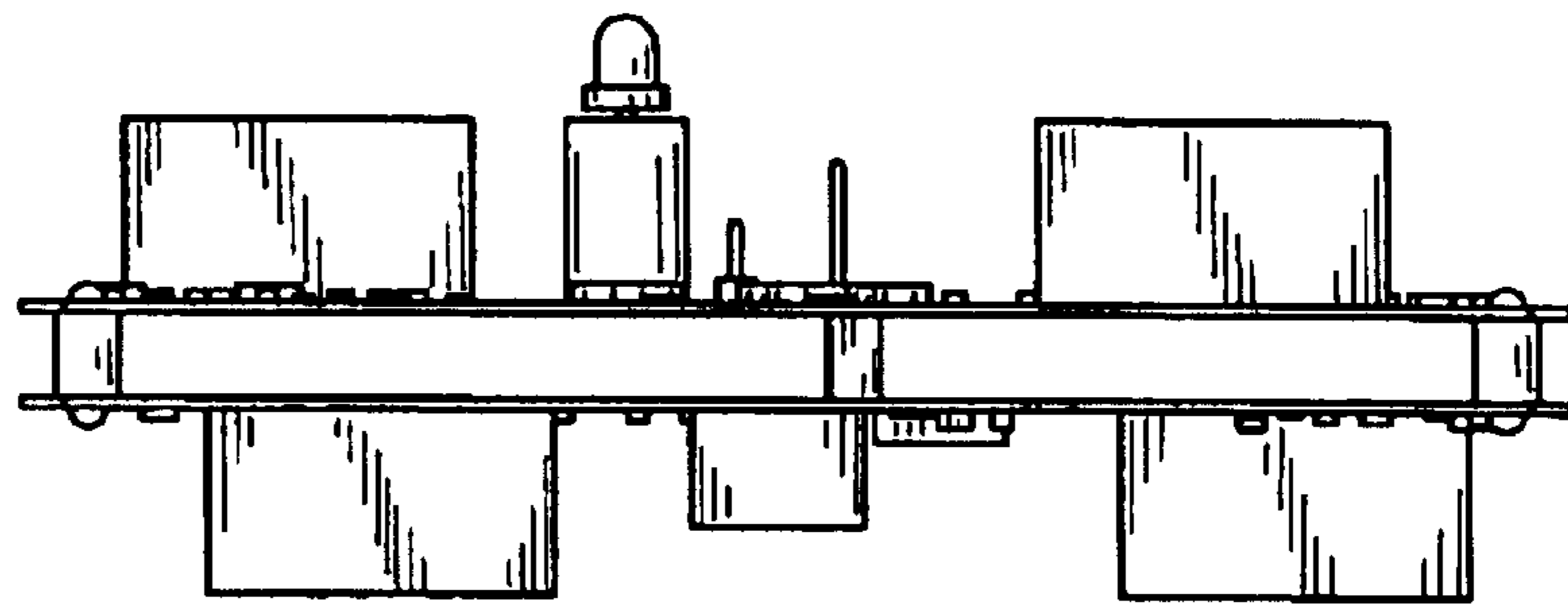


FIG. 3

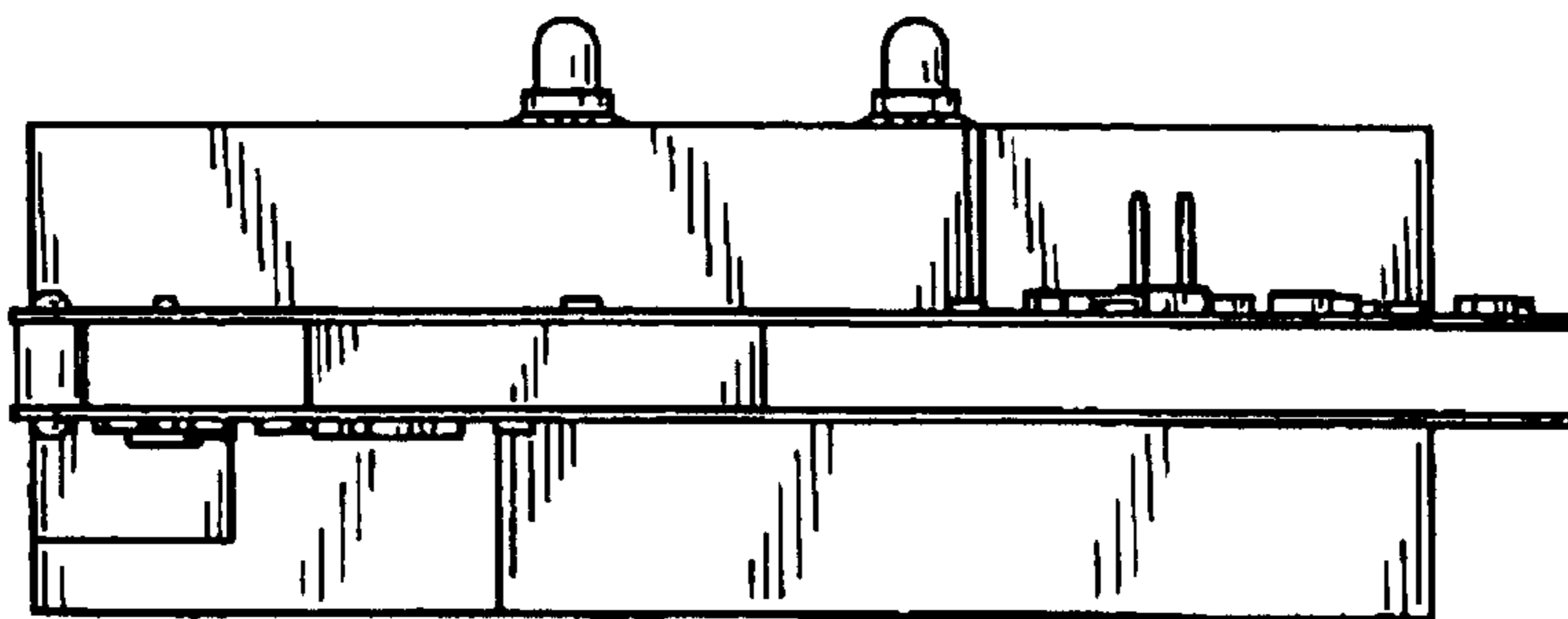


FIG. 4

FIG. 5

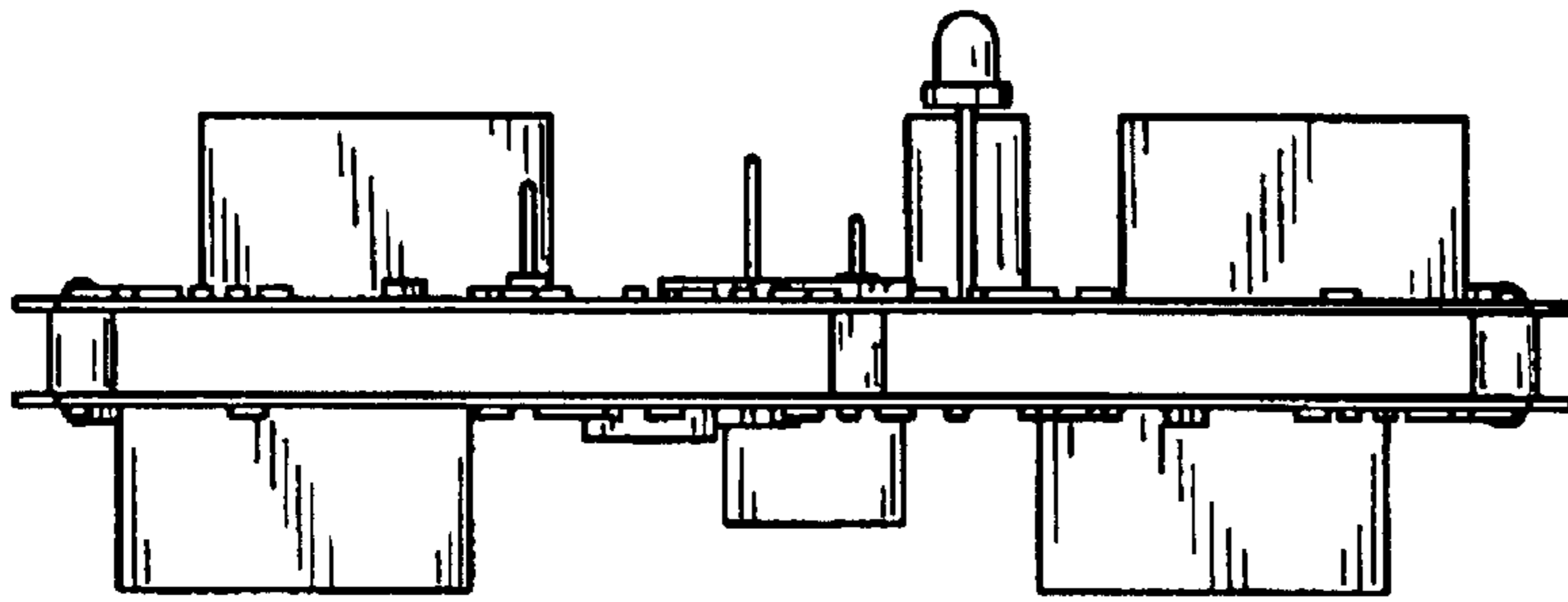
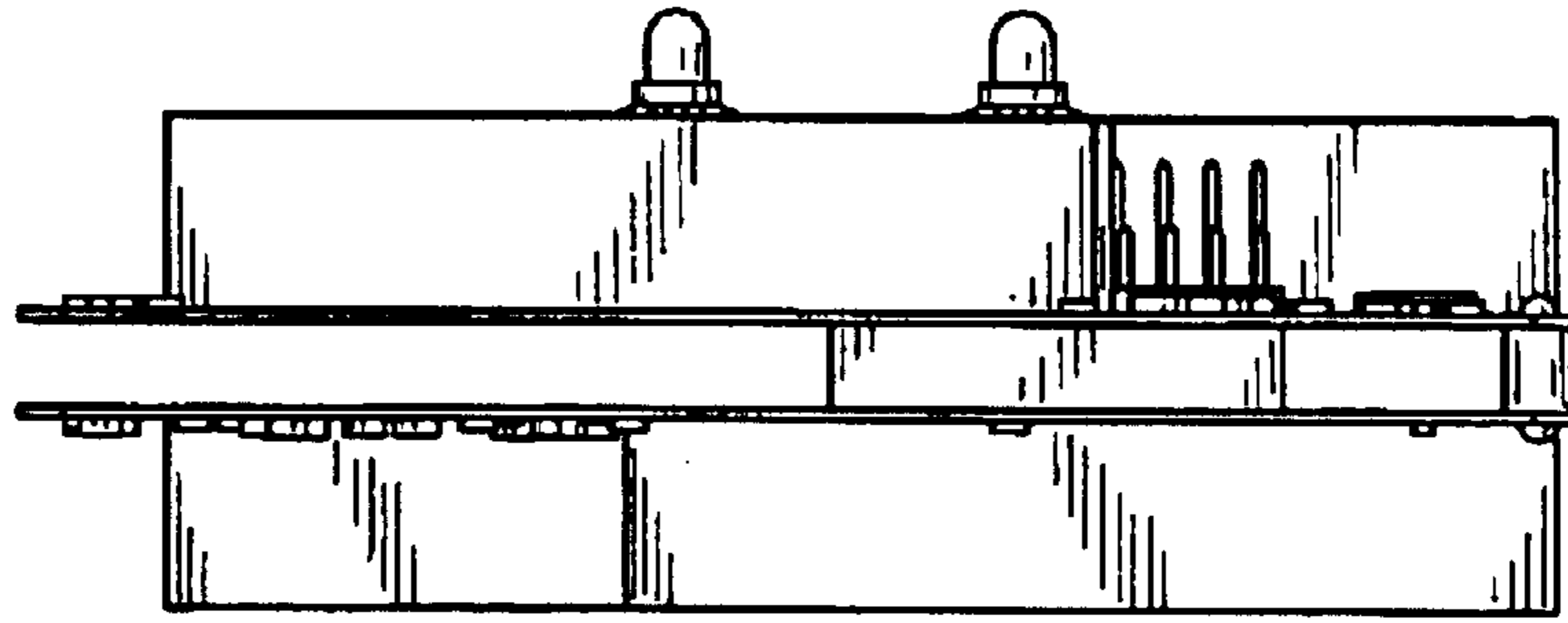


FIG. 6

FIG. 7

