



US00D505921S

(12) **United States Design Patent**  
**Ma**

(10) **Patent No.:** **US D505,921 S**  
(45) **Date of Patent:** **\*\* Jun. 7, 2005**

(54) **ELECTRICAL CONNECTOR ASSEMBLY**

(75) Inventor: **Hao-Yun Ma, Tu-Chen (TW)**

(73) Assignee: **Hon Hai Precision Ind. Co., LTD,**  
**Taipei Hsien (TW)**

(\*\*) Term: **14 Years**

(21) Appl. No.: **29/199,439**

(22) Filed: **Feb. 12, 2004**

(51) **LOC (8) Cl.** ..... **13-03**

(52) **U.S. Cl.** ..... **D13/149; D13/133**

(58) **Field of Search** ..... **D13/123, 133,**  
**D13/146, 147, 149, 154, 184, 199; 439/73,**  
**135, 342, 526**

(56) **References Cited**

**U.S. PATENT DOCUMENTS**

6,776,625	B2	*	8/2004	Ma	.....	439/73
6,805,562	B2	*	10/2004	Liao et al.	.....	439/68
6,827,587	B2	*	12/2004	Ma	.....	439/73
6,832,919	B2	*	12/2004	Ma et al.	.....	439/73
2004/0053541	A1	*	3/2004	Murr	.....	439/862
2004/0097119	A1	*	5/2004	Ma	.....	439/331
2004/0142584	A1	*	7/2004	Ma	.....	439/73

2004/0175974	A1	*	9/2004	Ma et al.	.....	439/135
2004/0229492	A1	*	11/2004	Ma	.....	439/331
2004/0242058	A1	*	12/2004	Ma et al.	.....	439/526

\* cited by examiner

*Primary Examiner*—Stella Reid

*Assistant Examiner*—Daniel Bui

(74) *Attorney, Agent, or Firm*—Wei Te Chung

(57) **CLAIM**

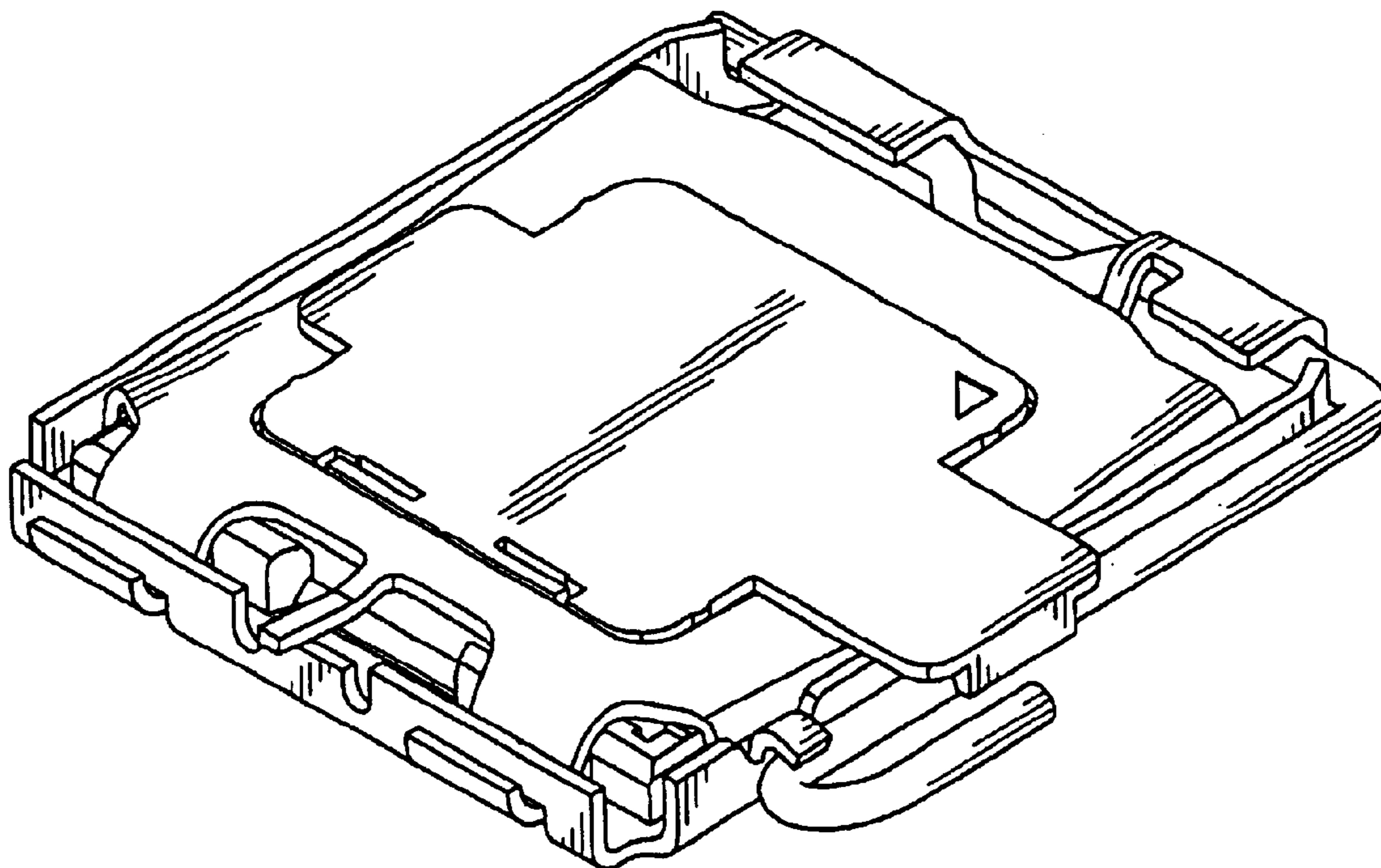
The ornamental design for an electrical connector assembly, as shown and described.

**DESCRIPTION**

FIG. 1 is a front, top and right side perspective view of an electrical connector assembly showing my new design; FIG. 2 is a front elevational view thereof; FIG. 3 is a rear elevational view thereof; FIG. 4 is a left side elevational view thereof; FIG. 5 is a right side elevational view thereof; FIG. 6 is a top plan view thereof; and, FIG. 7 is a bottom plan view thereof.

The broken line showing of the environment is for illustrative purposes only and forms no part of the claimed design.

**1 Claim, 5 Drawing Sheets**



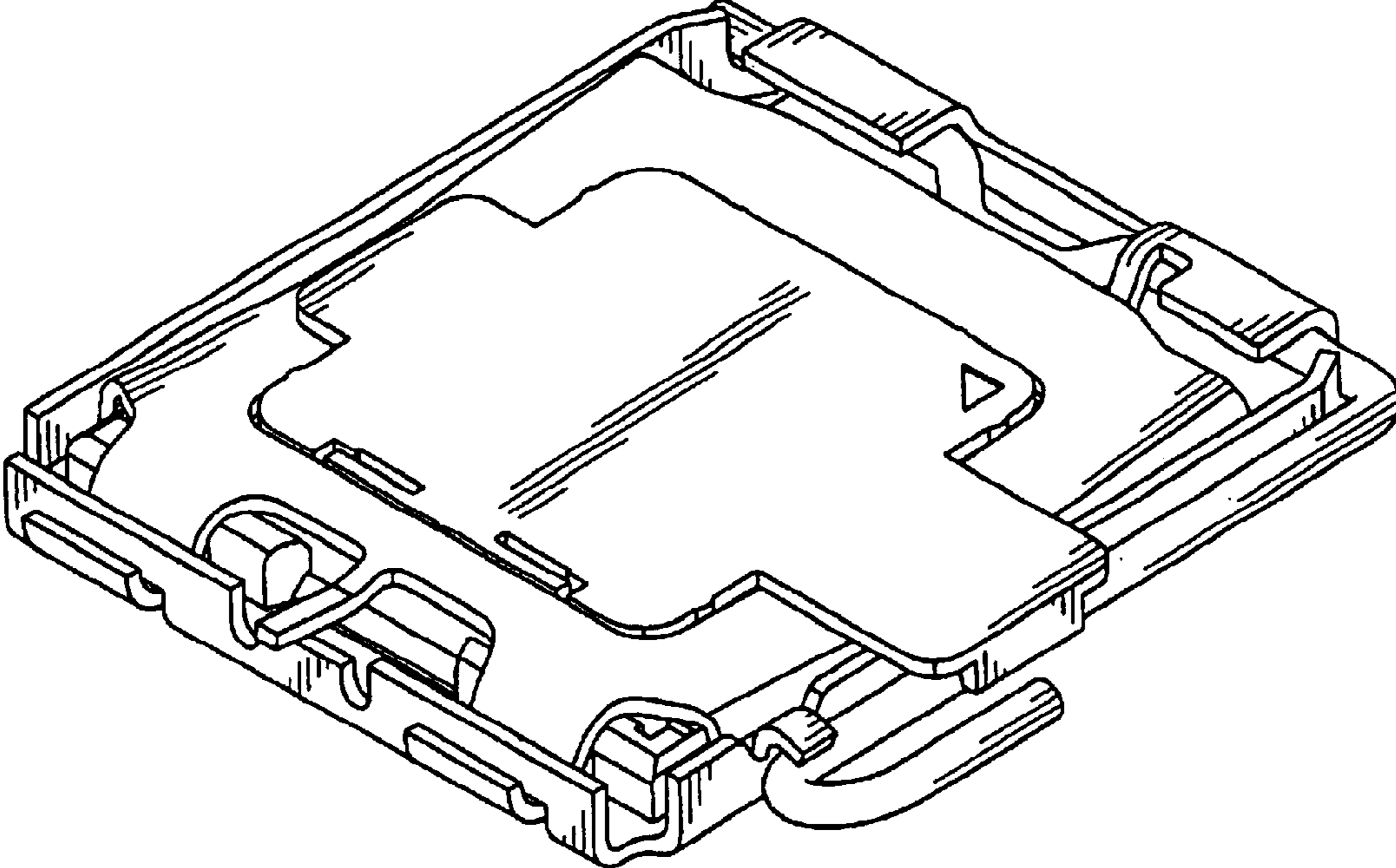


FIG. 1

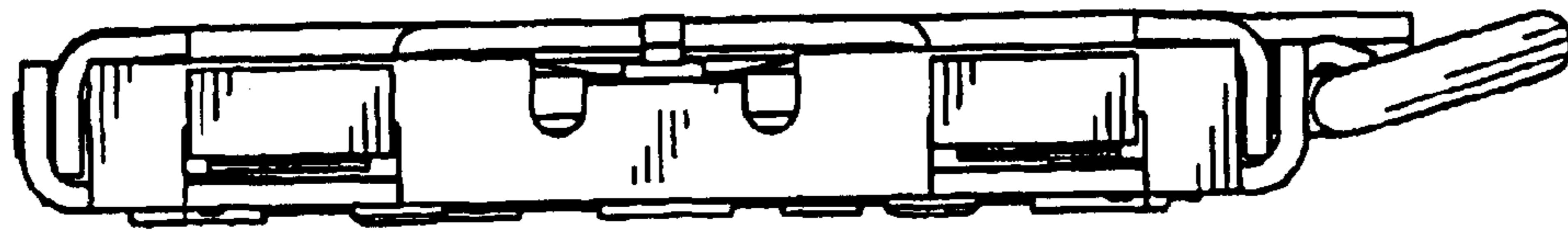


FIG. 2

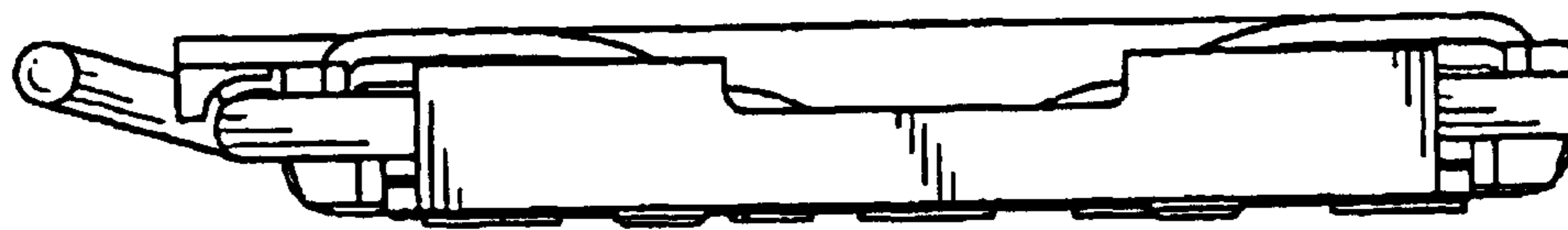


FIG. 3

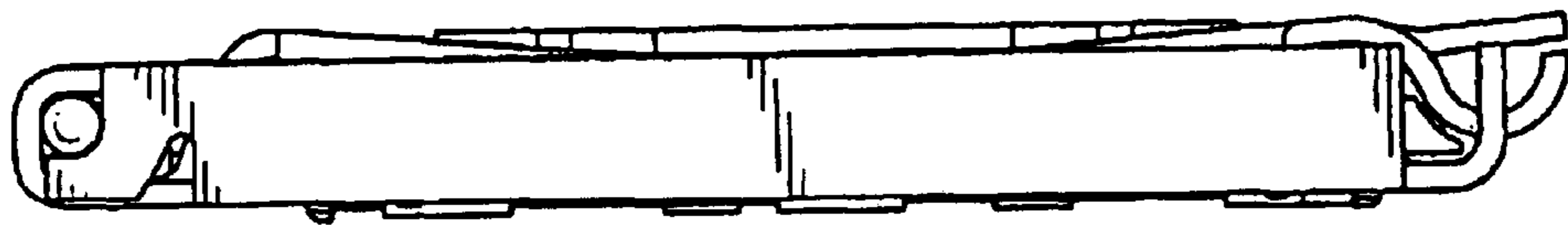


FIG. 4

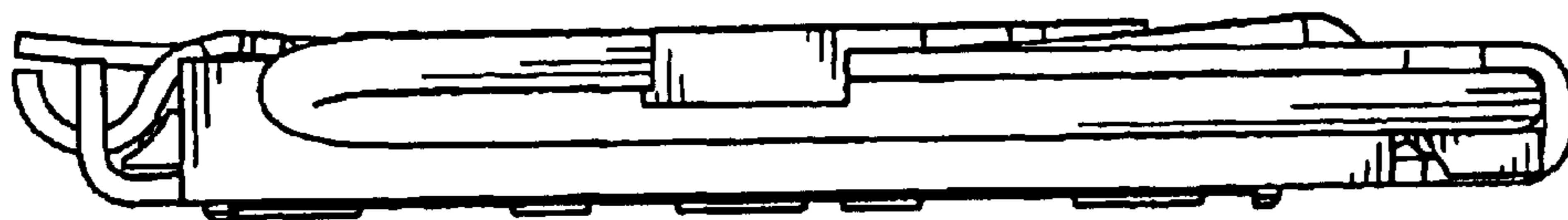


FIG. 5

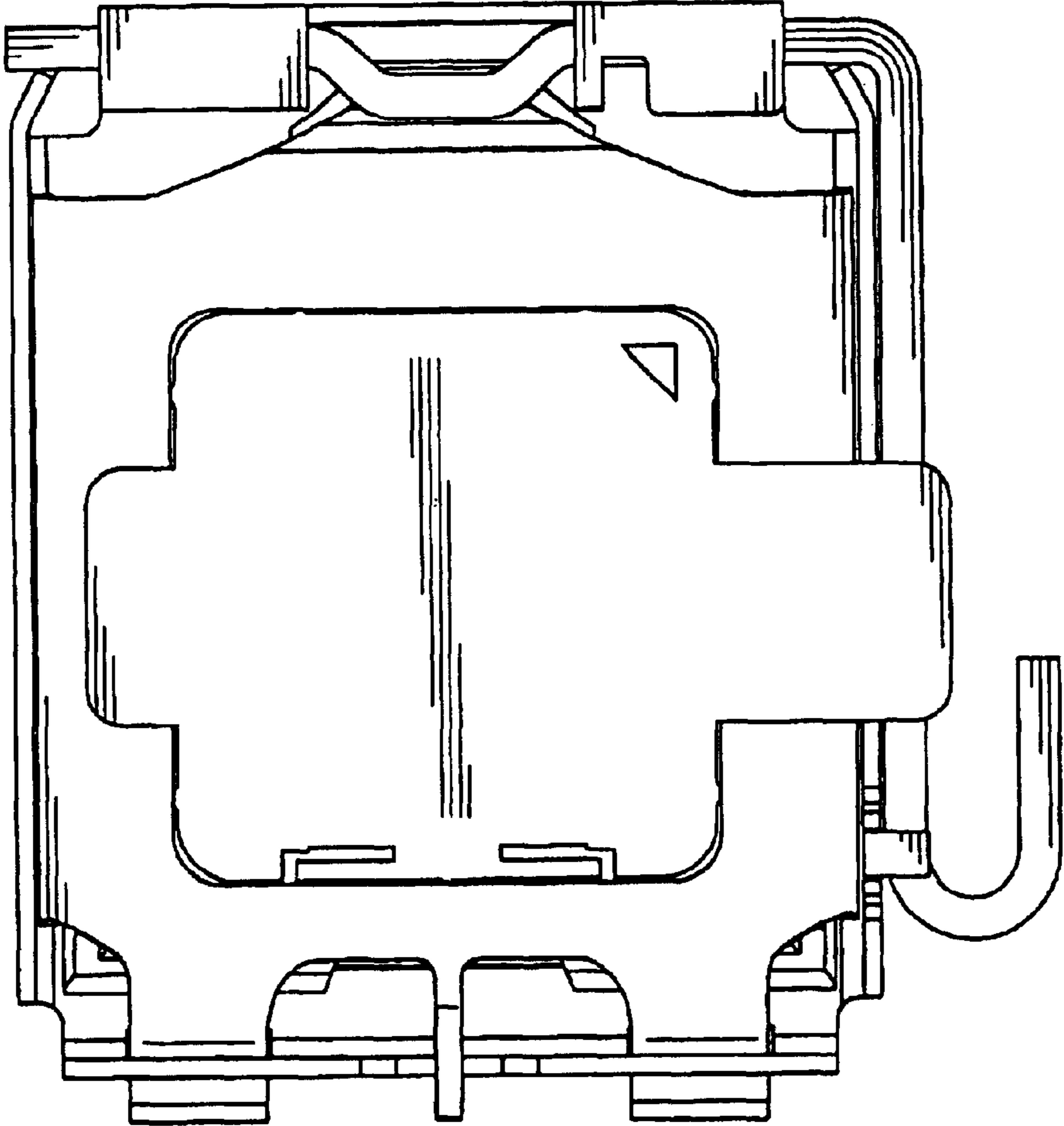


FIG. 6

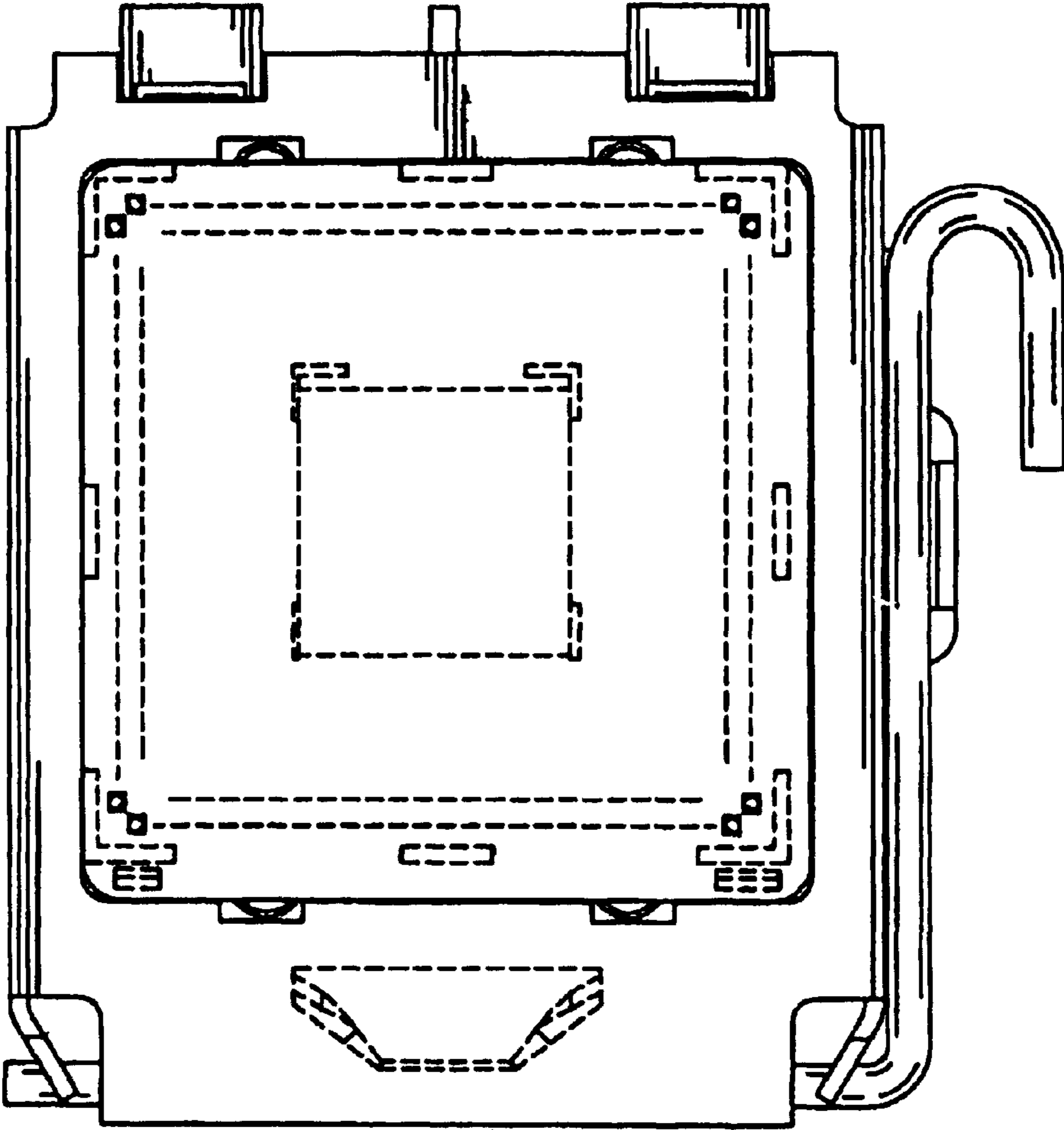


FIG. 7