

US00D505920S

(12) **United States Design Patent**  
**Moritake**

(10) **Patent No.:** **US D505,920 S**  
(45) **Date of Patent:** **\*\* Jun. 7, 2005**

- (54) **ELECTRICAL CONNECTOR**
- (75) **Inventor:** **Toshiyuki Moritake, Tokyo (JP)**
- (73) **Assignee:** **Japan Aviation Electronics Industry, Limited, Tokyo (JP)**
- (\*\*) **Term:** **14 Years**
- (21) **Appl. No.:** **29/210,994**
- (22) **Filed:** **Aug. 10, 2004**
- (30) **Foreign Application Priority Data**  
Mar. 25, 2004 (JP) ..... 2004-012183
- (51) **LOC (8) Cl.** ..... **13-03**
- (52) **U.S. Cl.** ..... **D13/147**
- (58) **Field of Search** ..... D13/123, 133,  
D13/146, 147, 184, 199; 439/74, 79, 83,  
108, 181, 607-610, 637, 660, 638, 910

- (56) **References Cited**  
**U.S. PATENT DOCUMENTS**  
6,033,238 A \* 3/2000 Fogg et al. .... 439/108  
D451,884 S \* 12/2001 Hisatomi et al. .... D13/147  
D471,522 S \* 3/2003 Azuma ..... D13/147  
6,634,894 B1 \* 10/2003 Ko ..... 439/108

- 6,663,402 B1 \* 12/2003 Yu ..... 439/108
- D485,532 S \* 1/2004 Lai ..... D13/147
- D499,378 S \* 12/2004 Lee et al. .... D13/147
- 2003/0176110 A1 \* 9/2003 Wu et al. .... 439/660
- 2004/0023537 A1 \* 2/2004 Sasame et al. .... 439/181

\* cited by examiner  
*Primary Examiner*—Stella Reid  
*Assistant Examiner*—Daniel Bui  
(74) *Attorney, Agent, or Firm*—Collard & Roe, P.C.

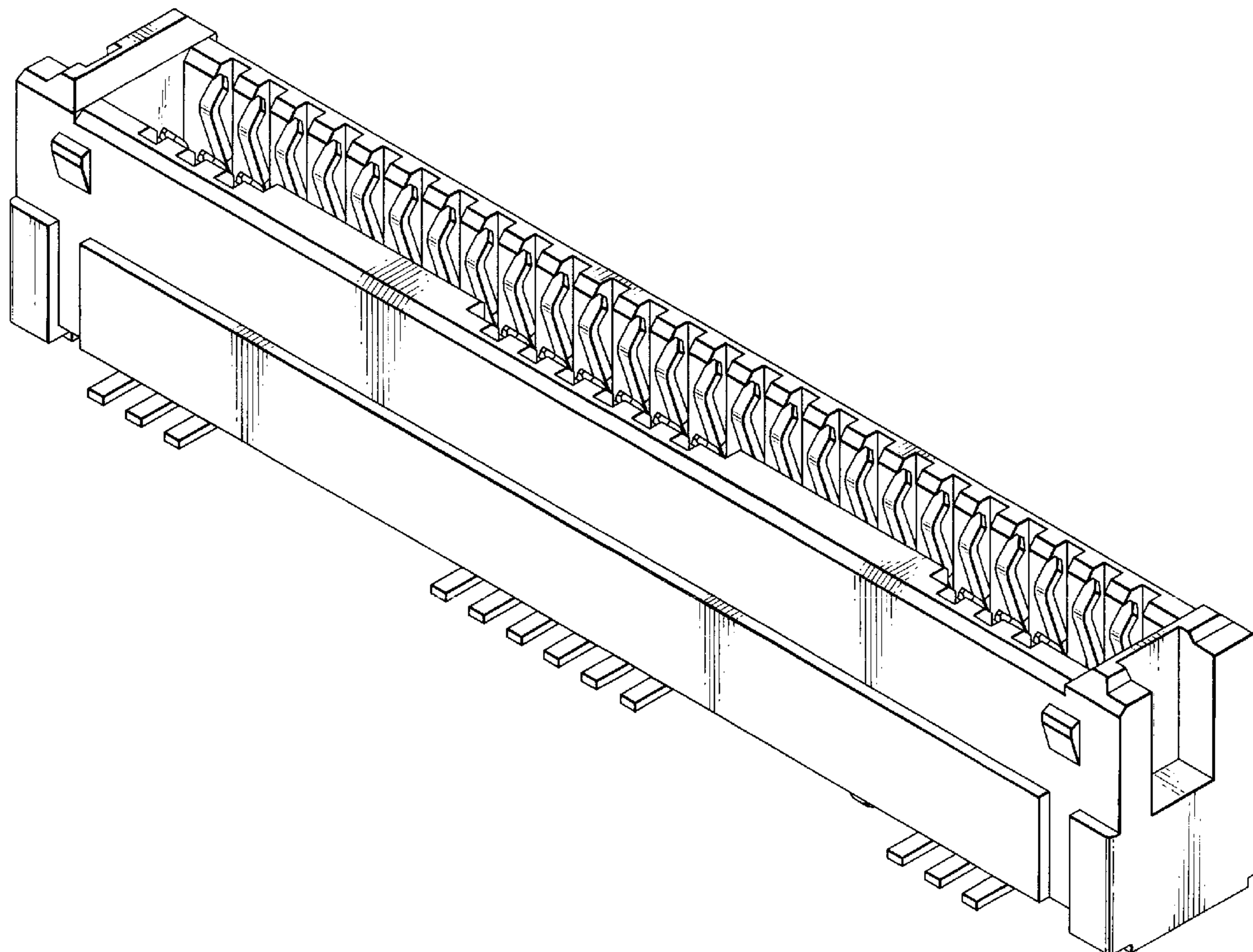
(57) **CLAIM**

The ornamental design for an electrical connector, as shown and described.

**DESCRIPTION**

FIG. 1 is a top plan view of an electrical connector;  
FIG. 2 is a front elevational view thereof;  
FIG. 3 is a bottom plan view thereof;  
FIG. 4 is a rear elevational view thereof;  
FIG. 5 is a right side elevational view thereof;  
FIG. 6 is a left side elevational view thereof;  
FIG. 7 is a front, top, and right side perspective view thereof;  
and,  
FIG. 8 is a rear, bottom, and right side perspective view thereof.

**1 Claim, 7 Drawing Sheets**



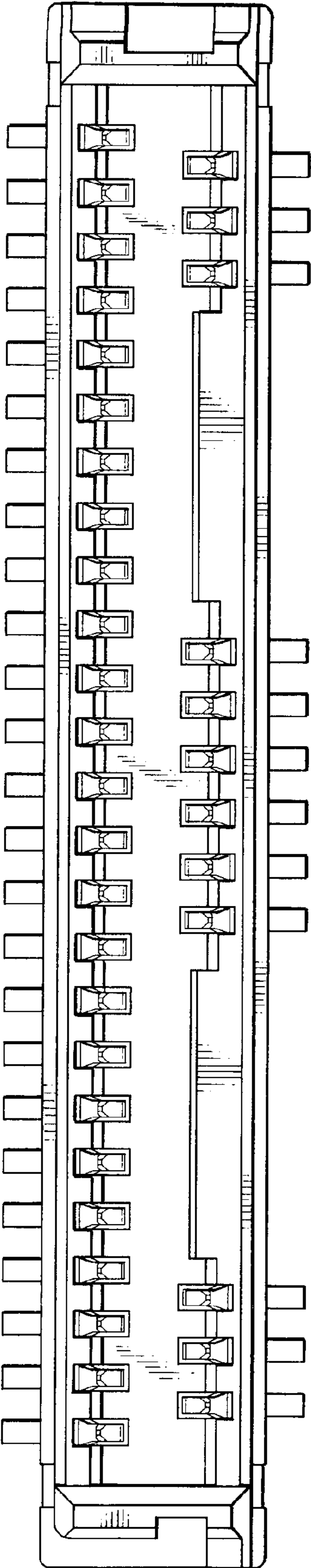


FIG. 1

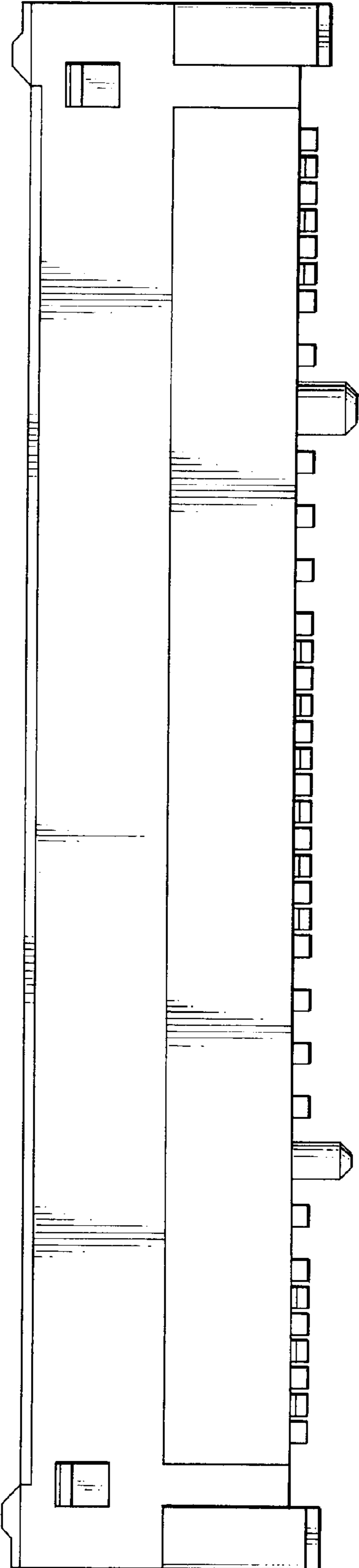


FIG. 2

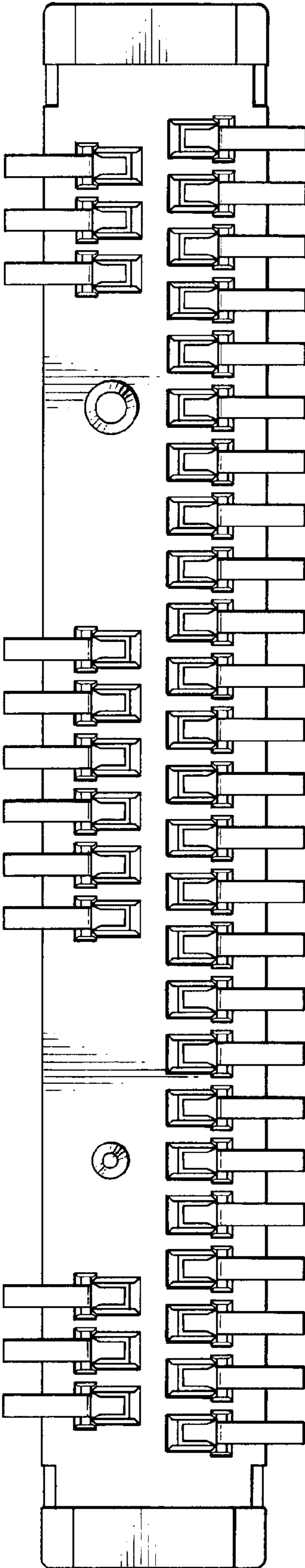


FIG. 3

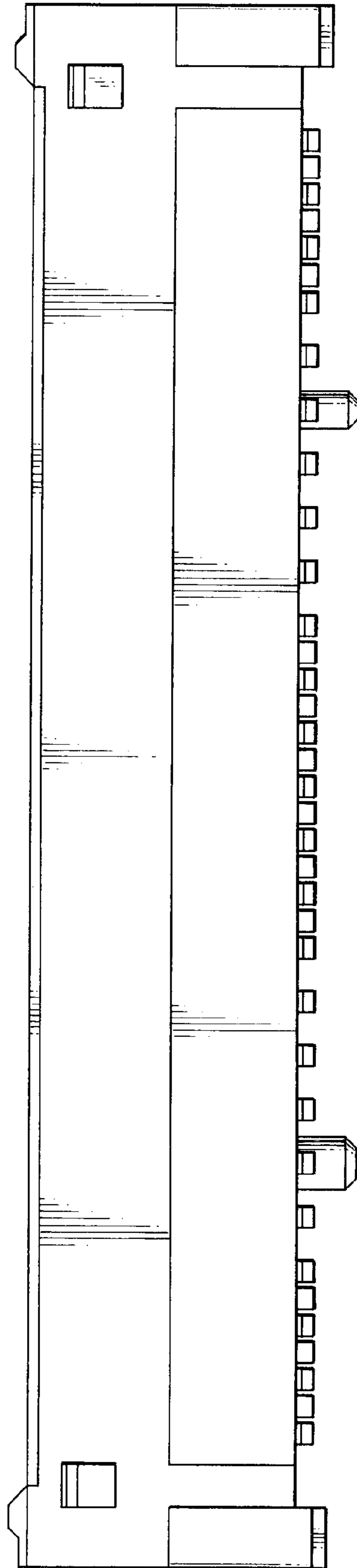


FIG. 4

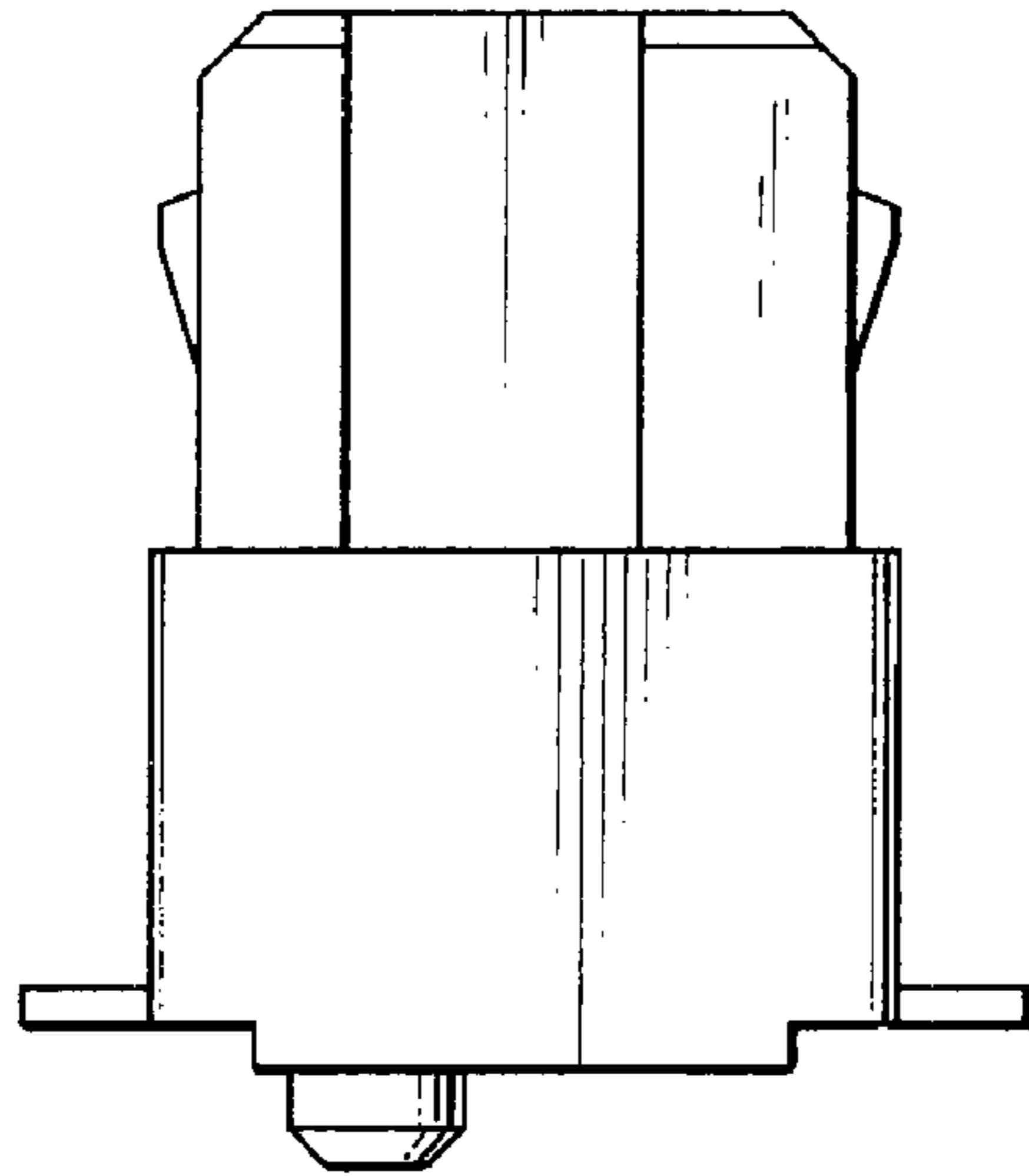


FIG. 5

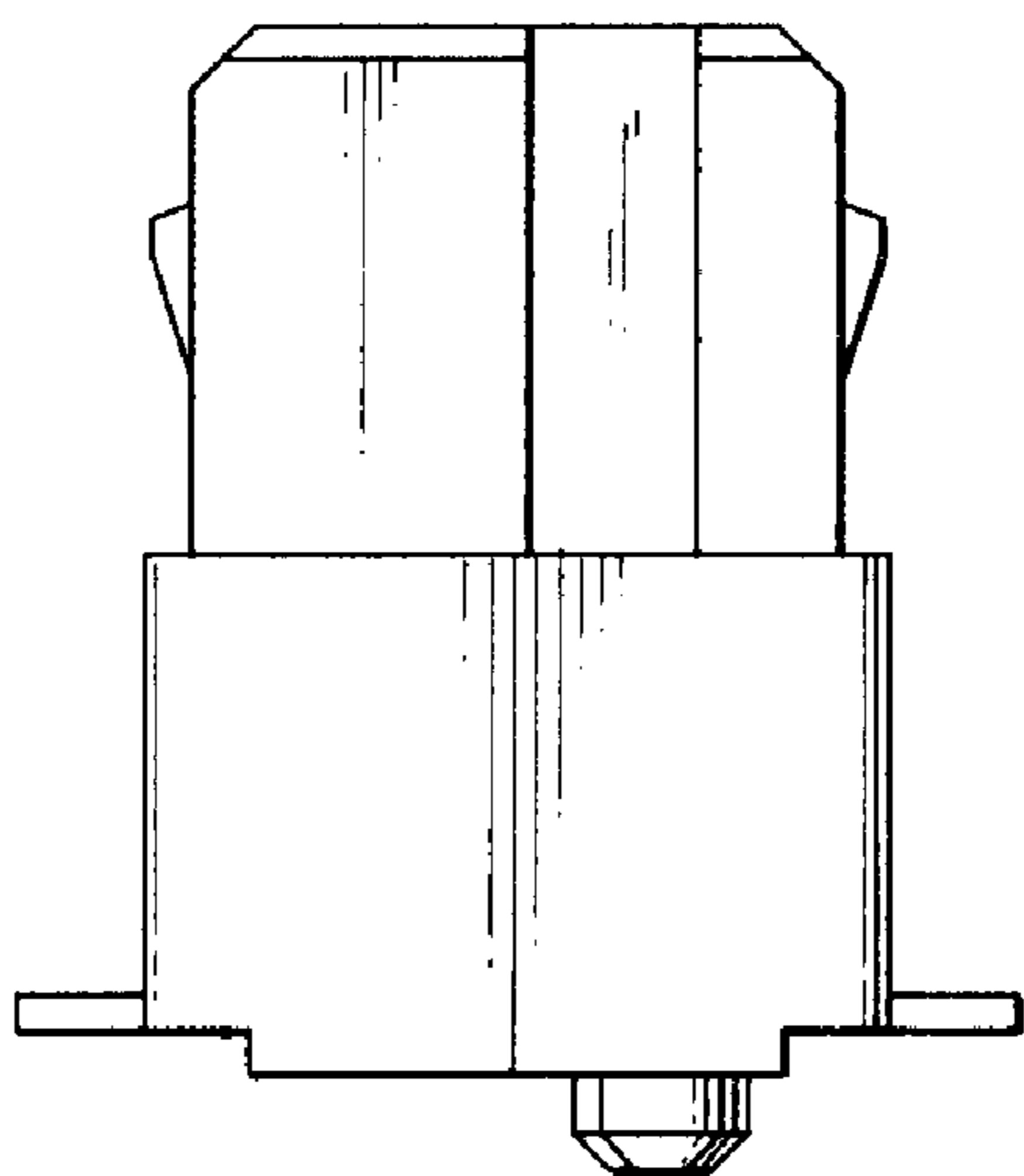


FIG. 6

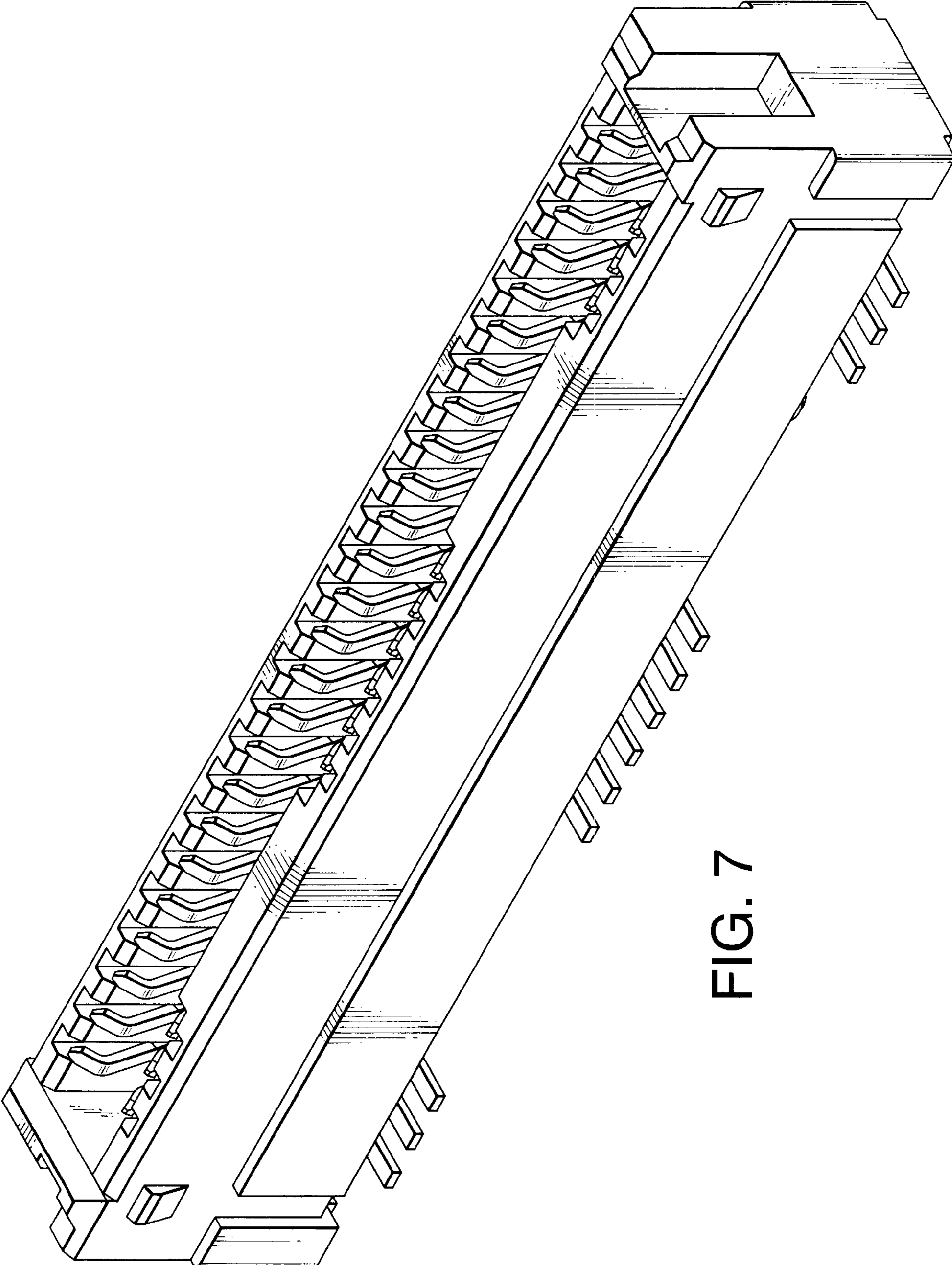


FIG. 7

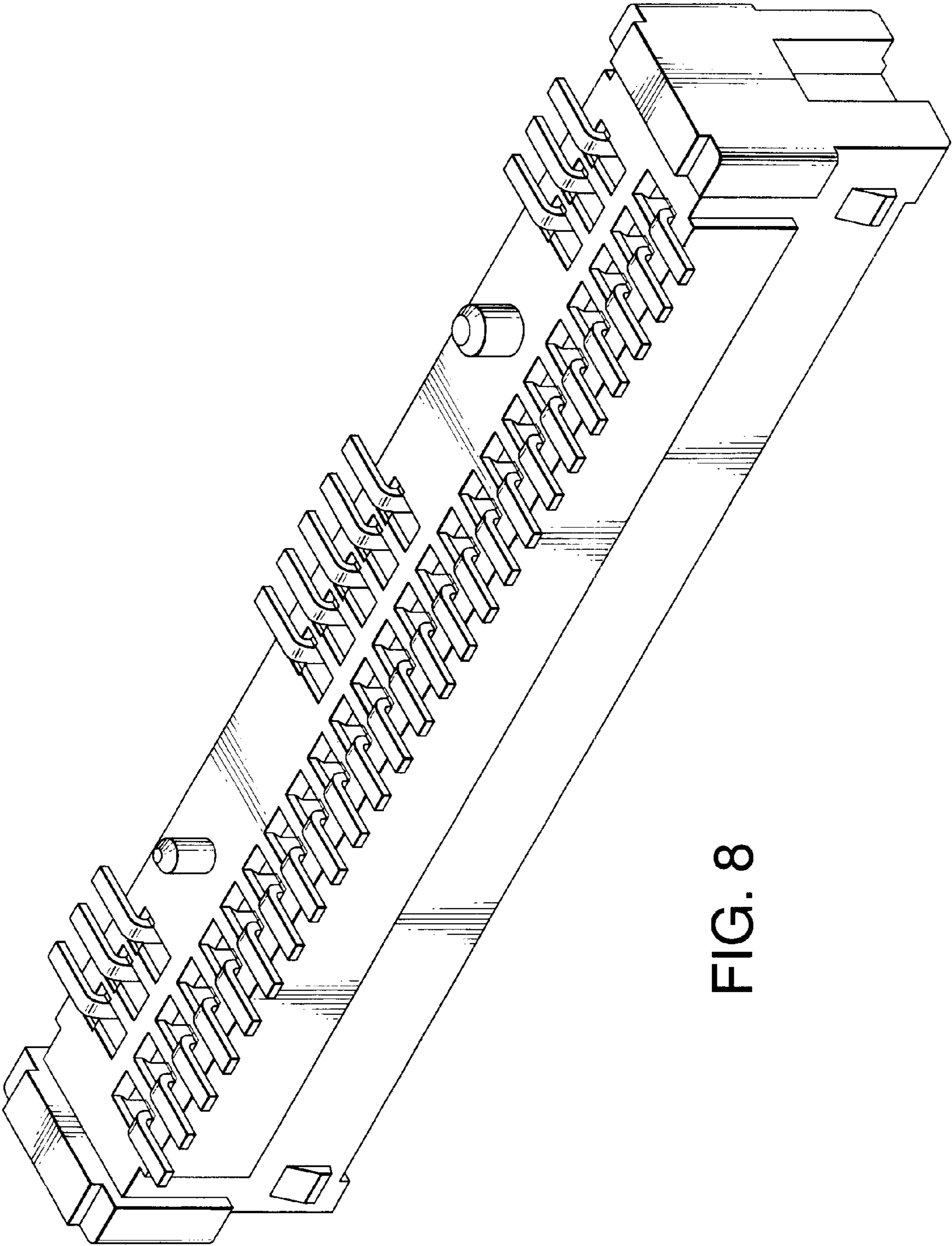


FIG. 8