



US00D505918S

(12) **United States Design Patent**
Conway et al.

(10) **Patent No.:** **US D505,918 S**
(45) **Date of Patent:** **** Jun. 7, 2005**

(54) **PLUG CONNECTOR**

(75) Inventors: **Christopher J. Conway**, Wilmot, NH (US); **Darrin H. MacKenzie**, Windsor, VT (US)

(73) Assignee: **Thermal Dynamics Corporation**, West Lebanon, NH (US)

(**) Term: **14 Years**

(21) Appl. No.: **29/166,922**

(22) Filed: **Sep. 4, 2002**

(51) **LOC (8) Cl.** **13-03**

(52) **U.S. Cl.** **D13/147**

(58) **Field of Search** D8/29.1, 30, 70; D15/144; D13/146, 147; 219/137.31, 137.1, 137.71, 137.63, 137.9, 144, 121.39; 266/66; 439/352, 483, 606, 610, 675, 680

(56) **References Cited**

U.S. PATENT DOCUMENTS

4,611,878	A	*	9/1986	Hall et al.	439/610
4,741,708	A	*	5/1988	Yoshida	439/483
D298,931	S	*	12/1988	Sekiguchi	D13/147
4,857,008	A	*	8/1989	Kee et al.	439/352
5,899,766	A	*	5/1999	DeFeo	439/218
5,967,852	A	*	10/1999	Follingstad et al.	439/675
6,093,043	A	*	7/2000	Gray et al.	439/352
6,472,631	B1	*	10/2002	Eickhoff et al.	219/121.39

* cited by examiner

Primary Examiner—Prabhakar Deshmukh
Assistant Examiner—Selina Sikder

(74) *Attorney, Agent, or Firm*—Harness, Dickey & Pierce, P.L.C.

(57) **CLAIM**

The ornamental design of a plug connector, as shown and described.

DESCRIPTION

FIG. 1 is a perspective view of the proximal end of the plug connector, in which the broken line showing of the environment is for illustrative purpose only and forms no part of the claimed design;

FIG. 2 is a front elevation view thereof, in which the broken line showing of the environment is for illustrative purpose only and forms no part of the claimed design;

FIG. 3 is a back elevation view thereof, in which the broken line showing of the environment is for illustrative purpose only and forms no part of the claimed design;

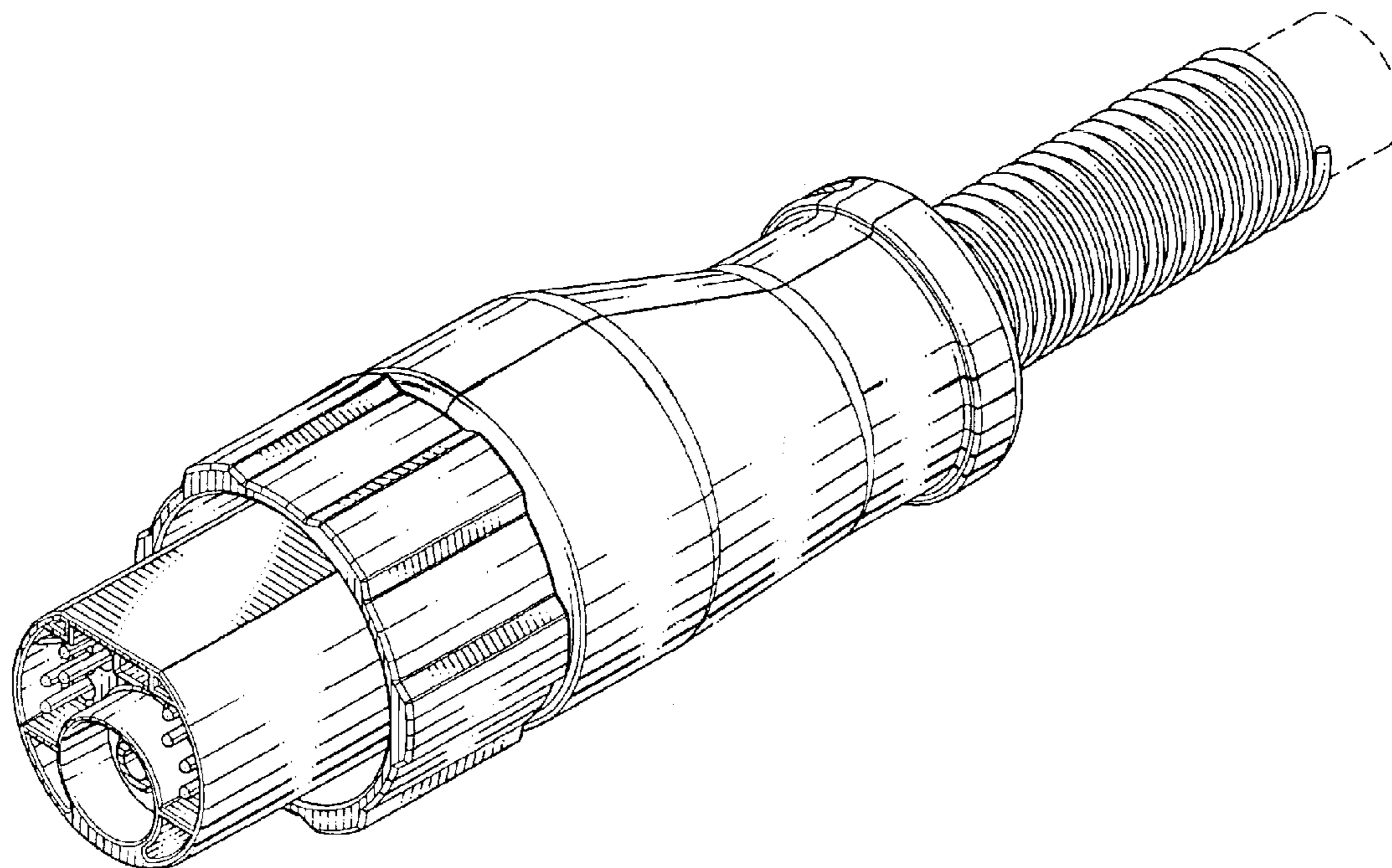
FIG. 4 is a left side elevation view thereof, in which the broken line showing of the environment is for illustrative purpose only and forms no part of the claimed design;

FIG. 5 is a right side elevation view thereof, in which the broken line showing of the environment is for illustrative purpose only and forms no part of the claimed design;

FIG. 6 is a top plan view thereof, in which the broken line showing of the environment is for illustrative purpose only and forms no part of the claimed design; and,

FIG. 7 is a bottom plan view thereof top plan view thereof, in which the broken line showing of the environment is for illustrative purpose only and forms no part of the claimed design.

1 Claim, 7 Drawing Sheets



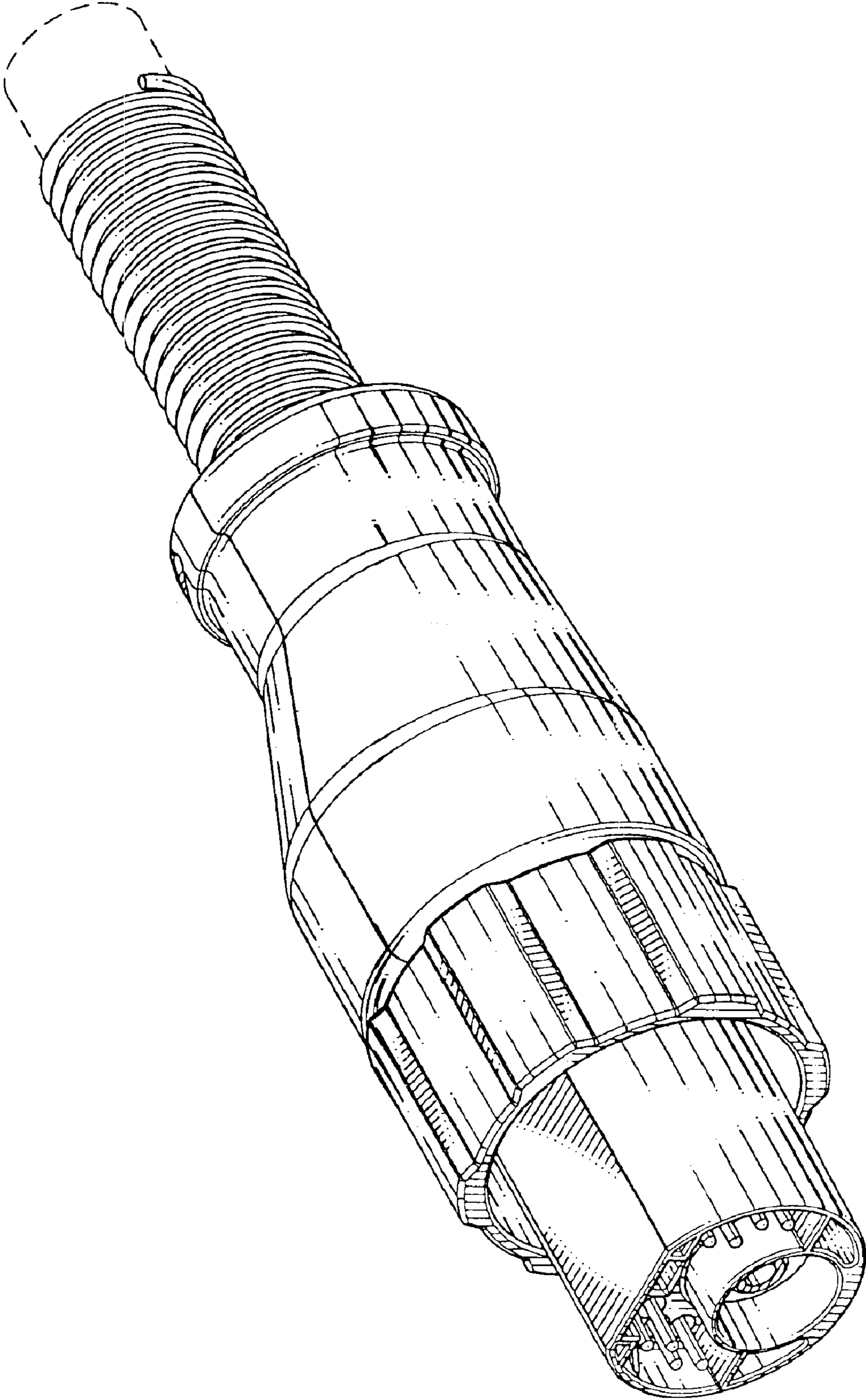


FIG. 1

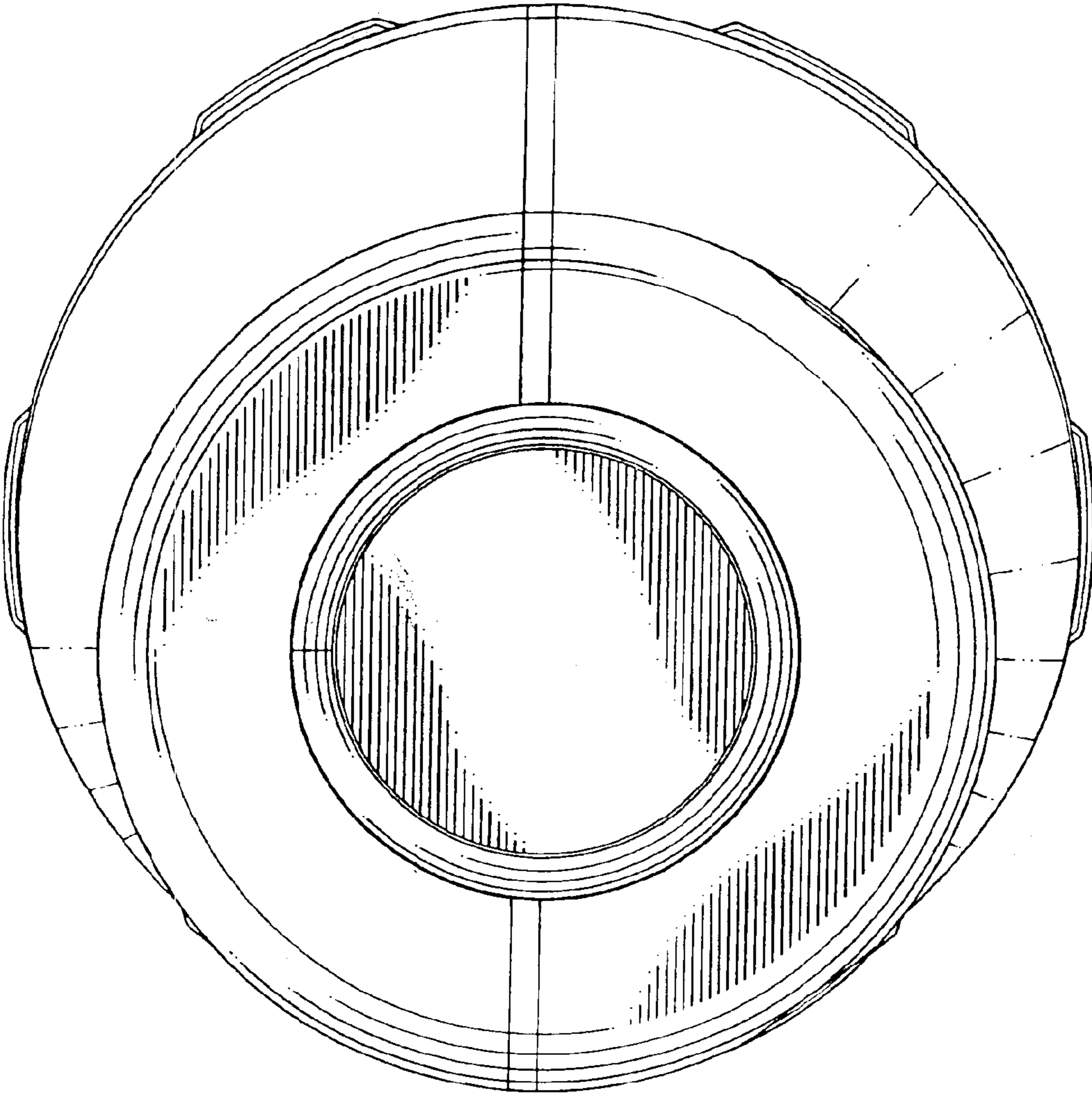


FIG. 2

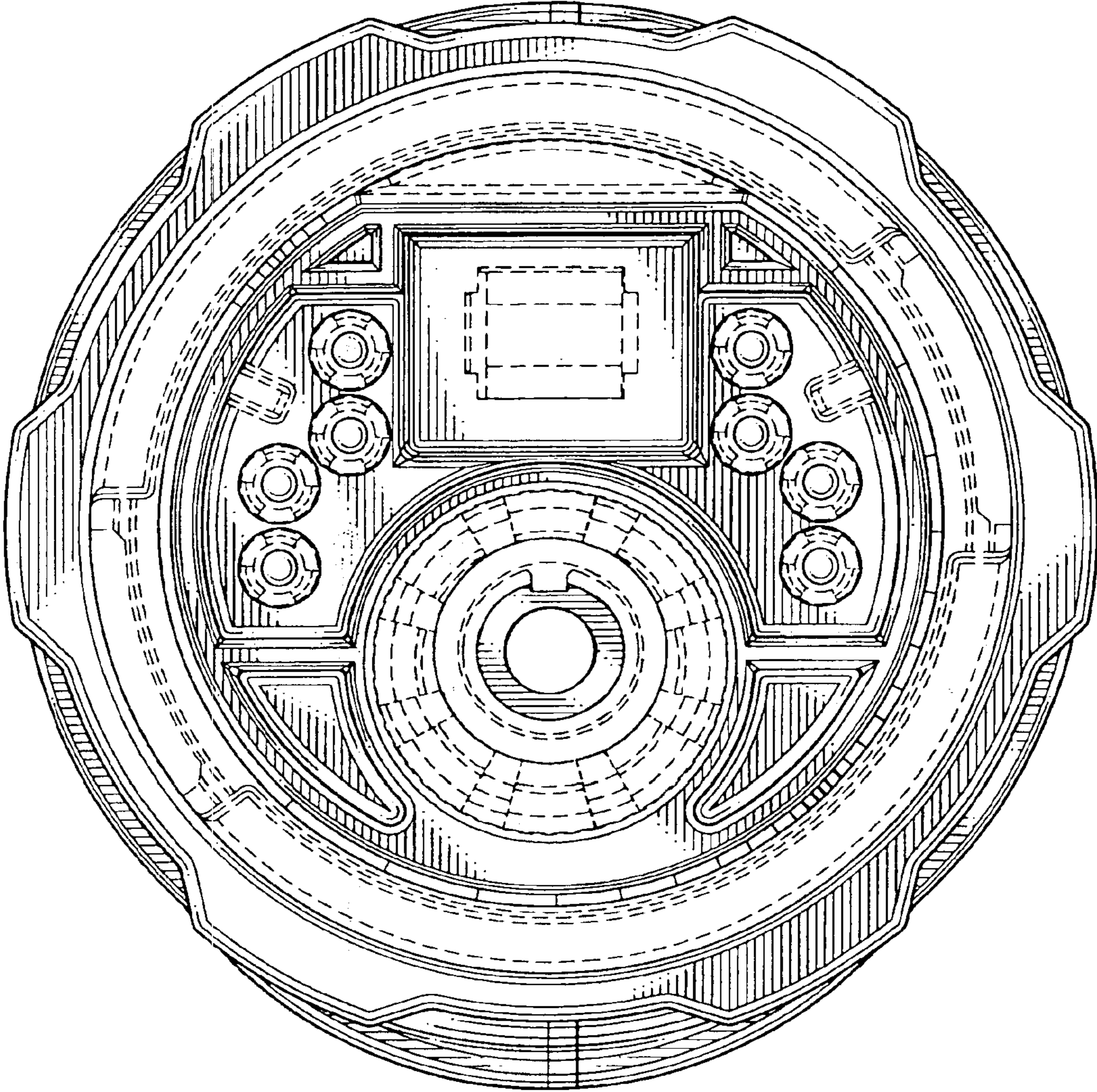


FIG. 3

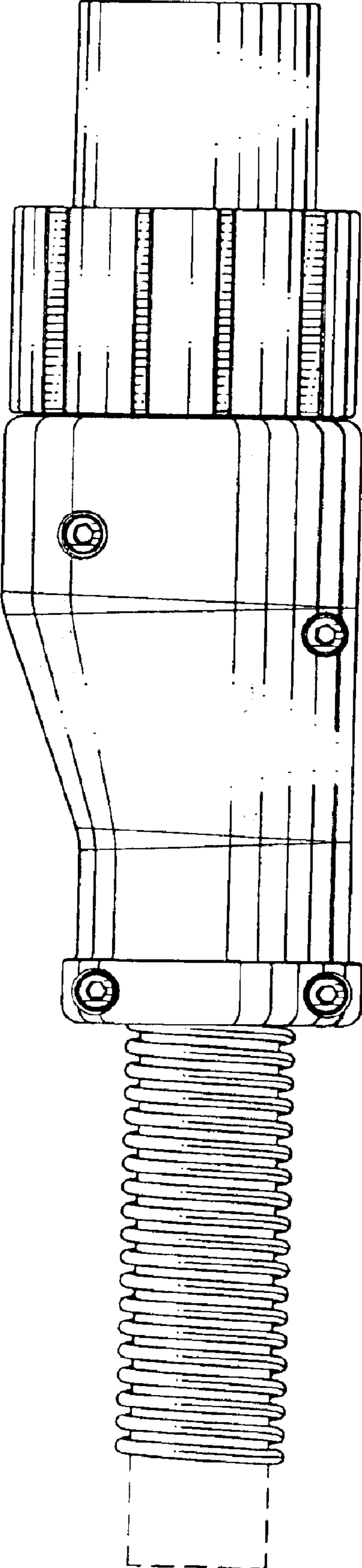


FIG. 4

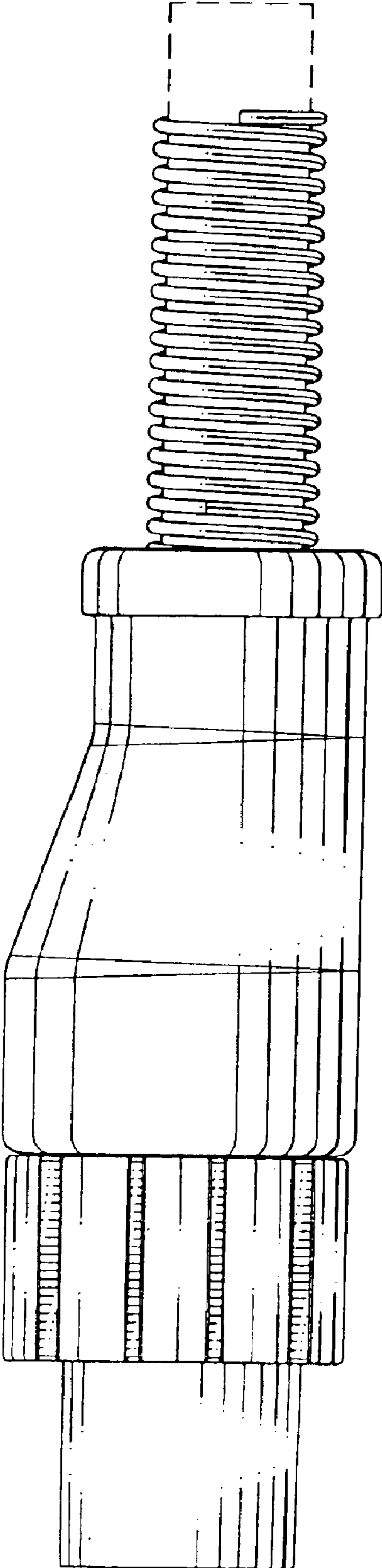


FIG. 5

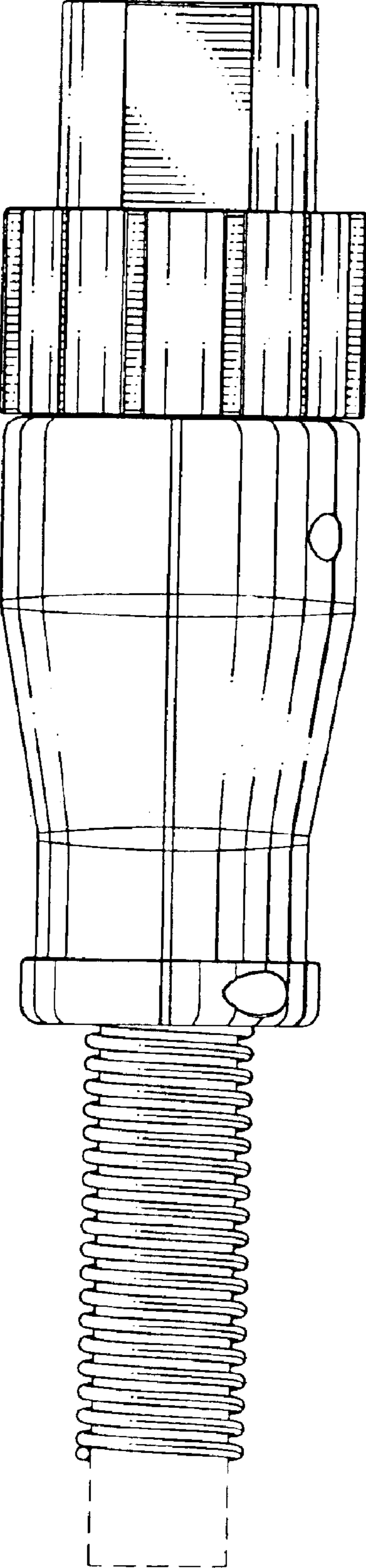


FIG. 6

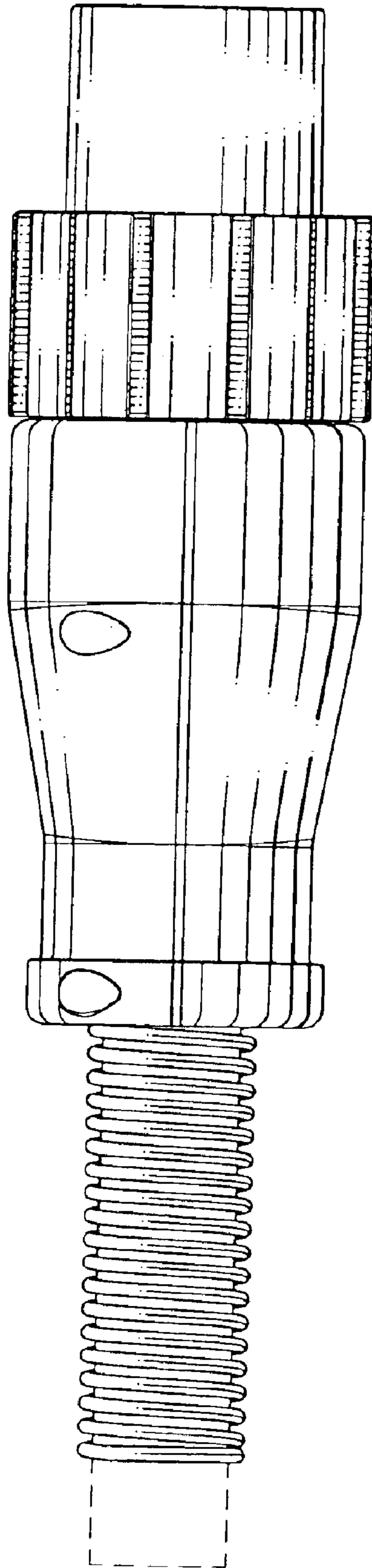


FIG. 7